

US00D560220S

(12) **United States Design Patent**
Barron

(10) **Patent No.:** **US D560,220 S**

(45) **Date of Patent:** **** Jan. 22, 2008**

(54) **SCANNER TOWER**

(75) **Inventor:** **Peter B. Barron**, Tucker, GA (US)

(73) **Assignee:** **NCR Corporation**, Dayton, OH (US)

(**) **Term:** **14 Years**

(21) **Appl. No.:** **29/247,622**

(22) **Filed:** **Jun. 29, 2006**

(51) **LOC (8) Cl.** **14-02**

(52) **U.S. Cl.** **D14/421; D14/420**

(58) **Field of Classification Search** D14/420-424;
235/462.39, 462.14, 462.01, 462.15, 462.17,
235/454, 462.4-462.49, 379, 383, 385, 375,
235/378, 472.02; 358/474, 509, 505, 506;
382/312-315, 321, 318, 319; 356/622, 152.3;
359/216-221, 516, 517; 250/203.1, 216,
250/566; 705/16, 20-21, 1-3, 7, 27; D99/28,
D99/35, 36, 40, 43

See application file for complete search history.

(56) **References Cited**

U.S. PATENT DOCUMENTS

- D377,342 S * 1/1997 Lin D14/424
- 6,085,979 A * 7/2000 Maddox 235/462.13
- 6,155,489 A * 12/2000 Collins et al. 235/462.01
- D442,596 S * 5/2001 Lin et al. D14/421
- 6,502,753 B2 * 1/2003 Detwiler 235/462.4

- 6,536,668 B1 * 3/2003 Detwiler et al. 235/462.37
- 6,744,938 B1 * 6/2004 Rantze et al. 382/312
- 6,830,186 B1 * 12/2004 Nahar 235/462.14
- 6,866,197 B1 * 3/2005 Detwiler et al. 235/462.39
- 2002/0100805 A1 * 8/2002 Detwiler 235/462.14
- 2003/0121982 A1 * 7/2003 Charpentier 235/472.01
- 2004/0000591 A1 * 1/2004 Collins et al. 235/462.14
- 2004/0065740 A1 * 4/2004 Mergenthaler et al. 235/462.14
- 2004/0217175 A1 * 11/2004 Bobba et al. 235/462.39
- 2005/0098634 A1 * 5/2005 Good 235/462.39

* cited by examiner

Primary Examiner—Melanie Tung

Assistant Examiner—Susan Moon Lee

(74) *Attorney, Agent, or Firm*—Paul W. Martin

(57) **CLAIM**

The ornamental design for a scanner tower, as shown and described.

DESCRIPTION

- FIG. 1 is a front view of the scanner tower;
- FIG. 2 is a rear view thereof;
- FIG. 3 is a right side view thereof;
- FIG. 4 is a left side view thereof;
- FIG. 5 is a top view thereof; and,
- FIG. 6 is a reduced rear perspective view thereof.

1 Claim, 6 Drawing Sheets

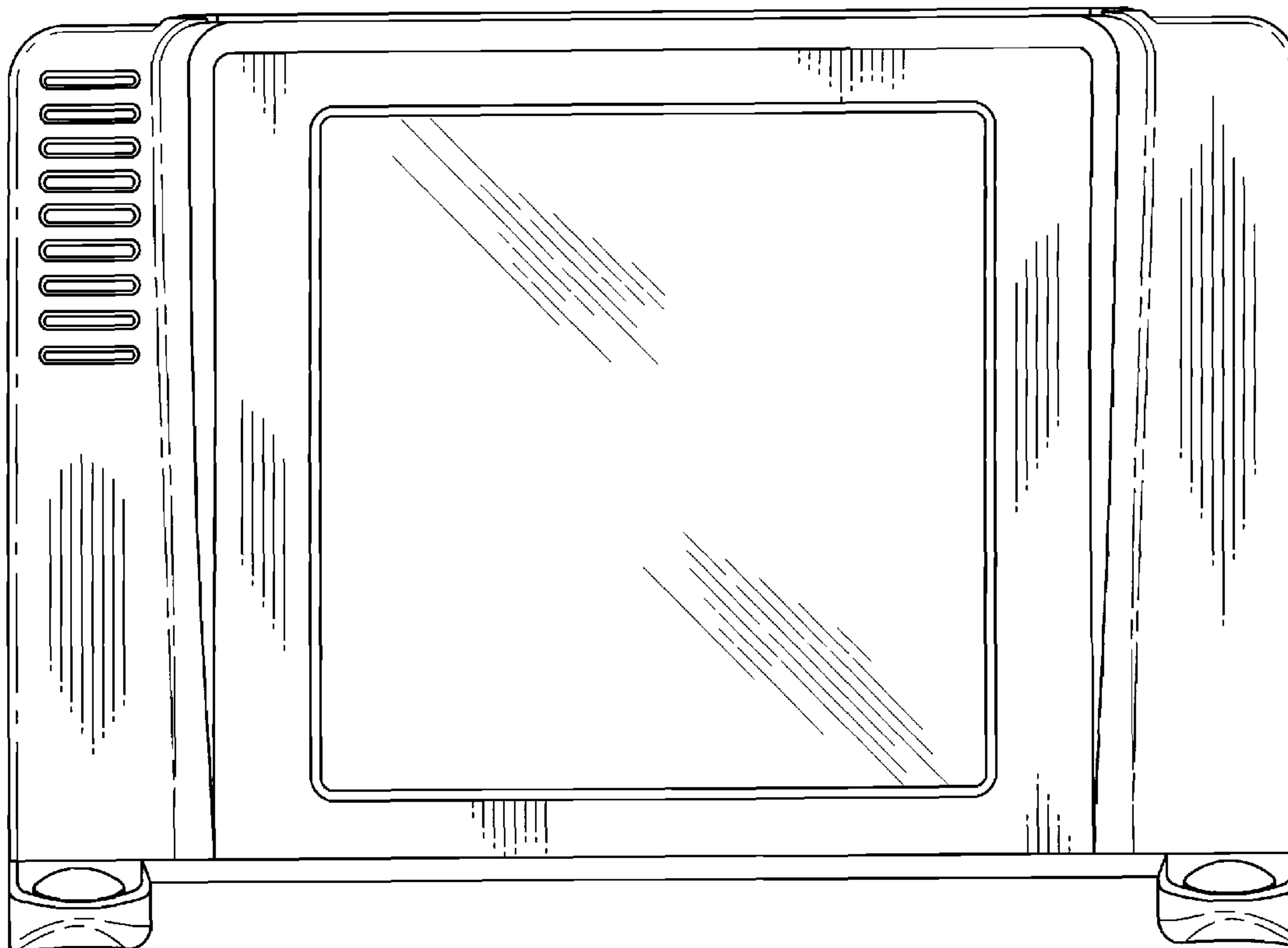
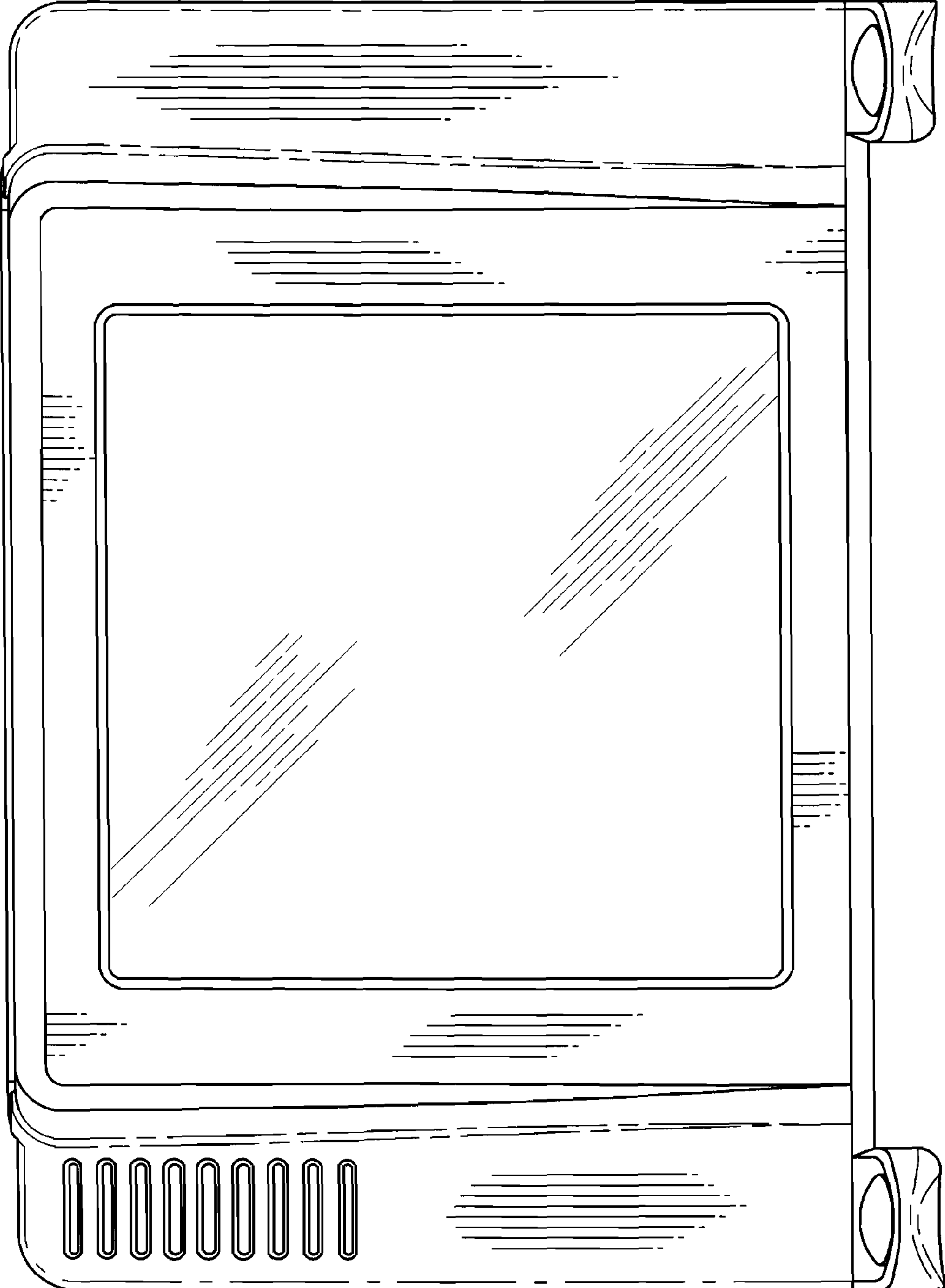


FIG. 1



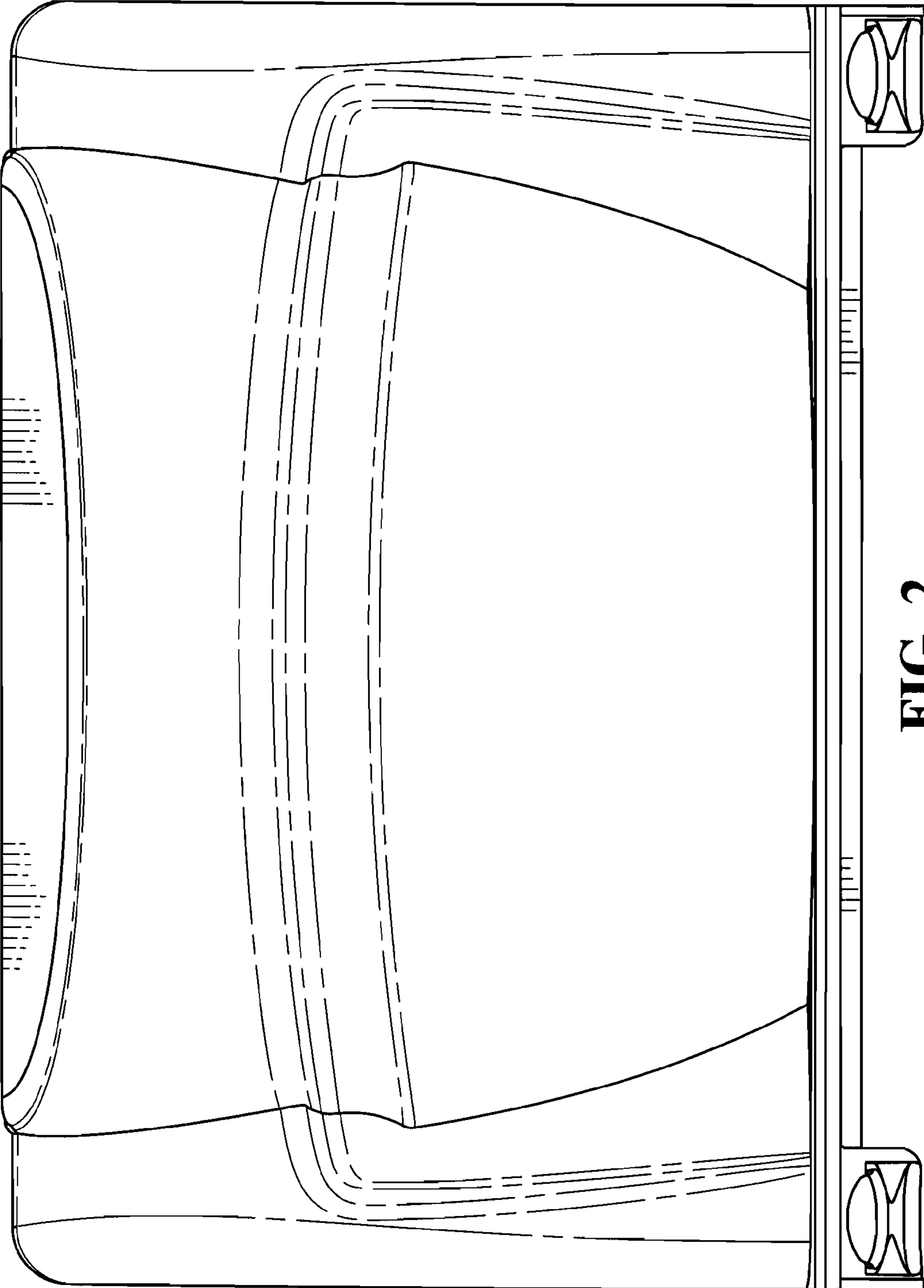


FIG. 2

FIG. 3

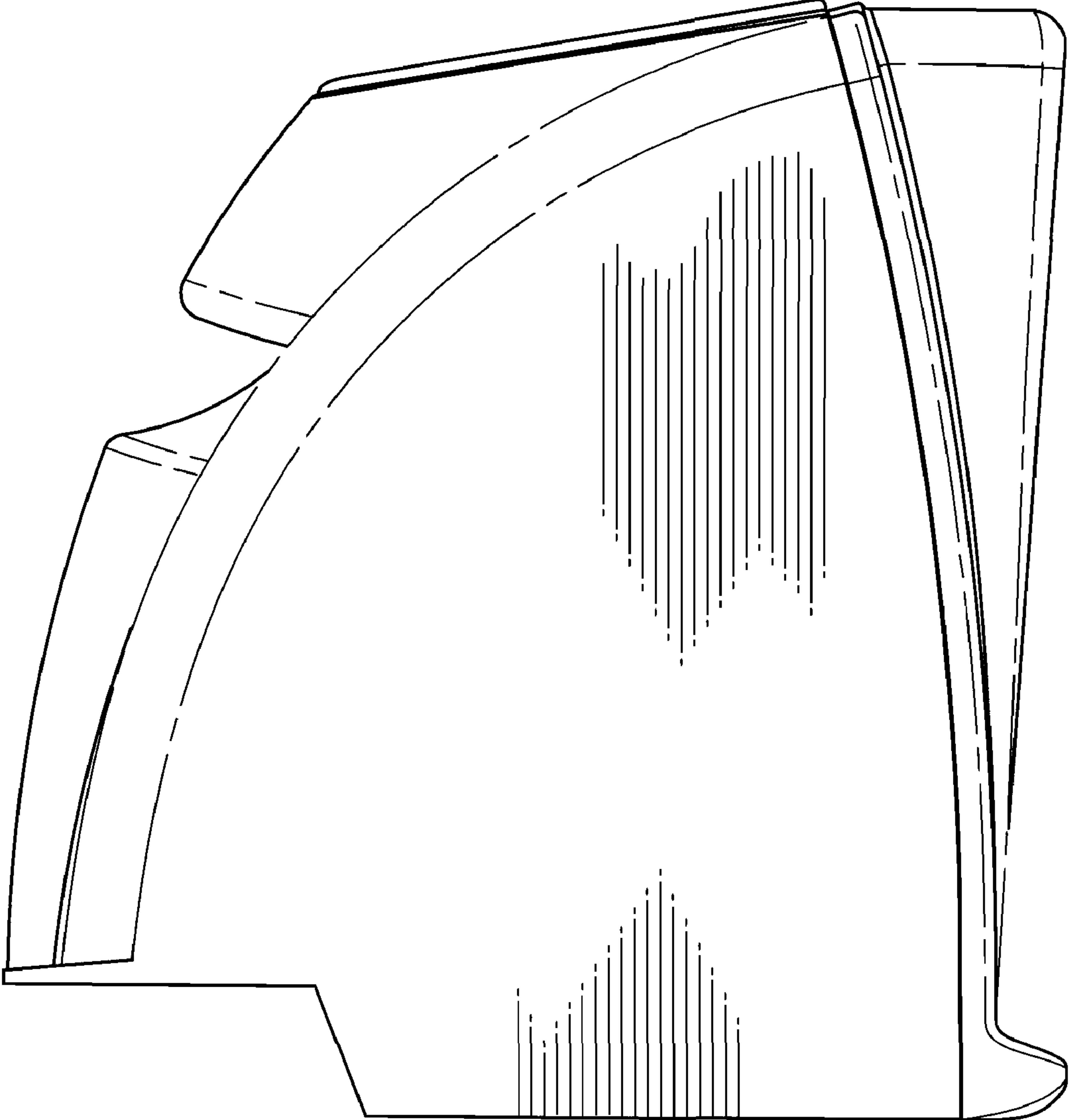


FIG. 4

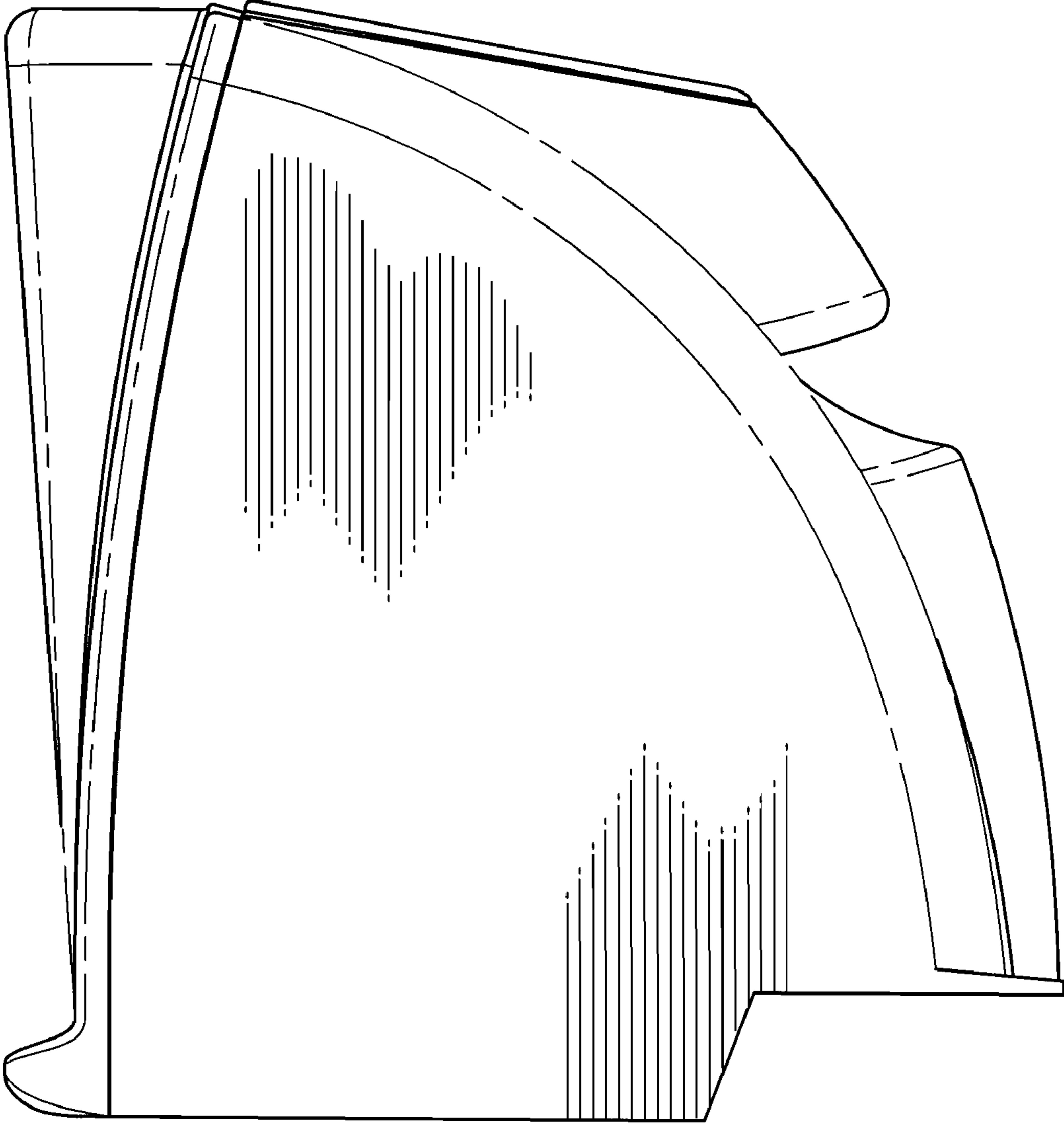


FIG. 5

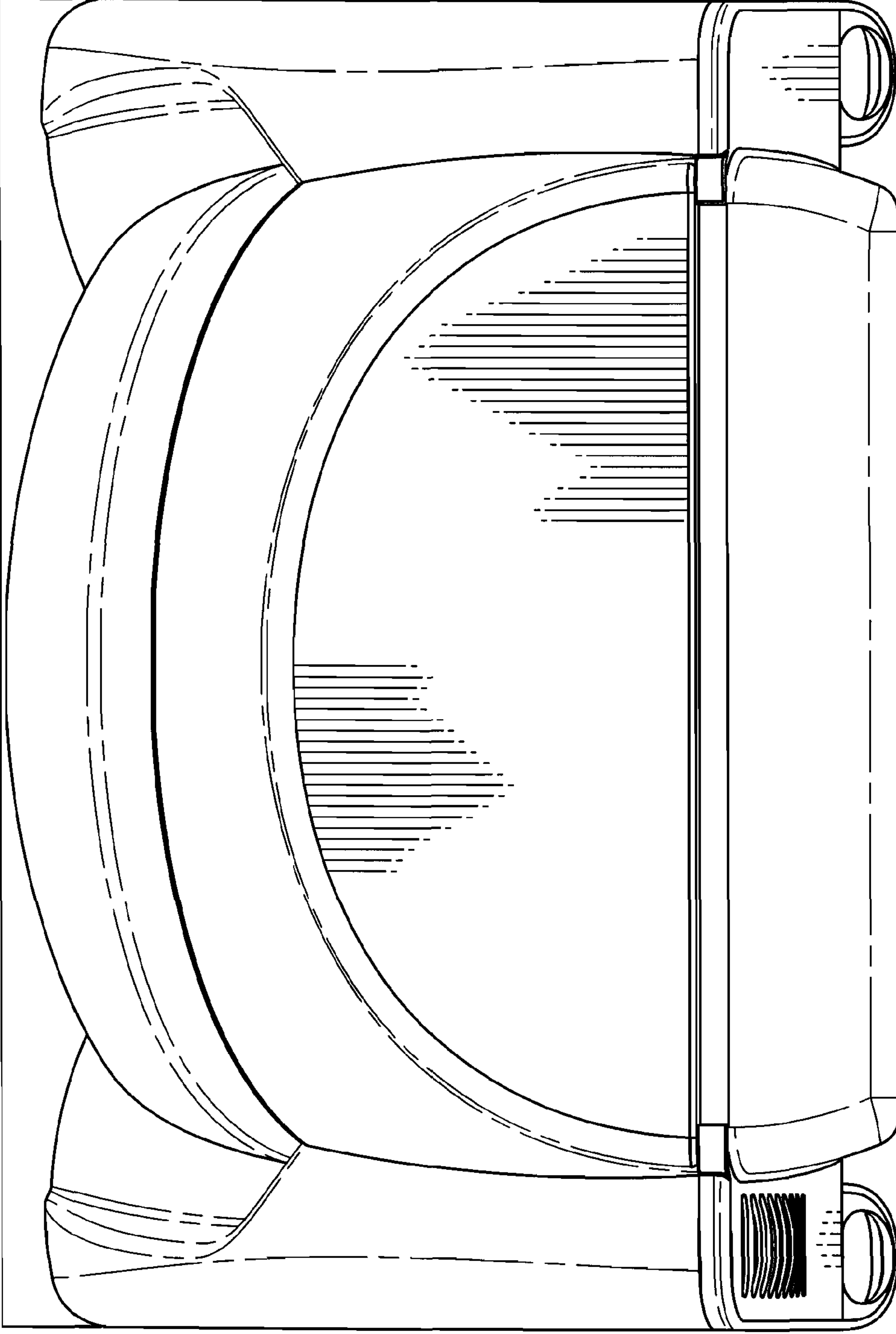


FIG. 6

