

US00D560219S

(12) **United States Design Patent**
Yamakawa et al.

(10) **Patent No.:** **US D560,219 S**
(45) **Date of Patent:** **** Jan. 22, 2008**

(54) **CONTACTLESS CARD READER/WRITER**

(75) Inventors: **Yasuki Yamakawa**, Kadoma (JP);
Takayuki Takahashi, Kadoma (JP)

(73) Assignee: **Matsushita Electric Industrial Co., Ltd.**, Osaka (JP)

(**) Term: **14 Years**

(21) Appl. No.: **29/272,017**

(22) Filed: **Jan. 31, 2007**

(30) **Foreign Application Priority Data**

Aug. 4, 2006 (JP) 2006-020696

(51) **LOC (8) Cl.** **14-02**

(52) **U.S. Cl.** **D14/385**

(58) **Field of Classification Search** D14/240,
D14/356-358, 363, 365, 367-370, 383-386,
D14/389, 432, 434, 441, 442, 344, 347, 387,
D14/125, 341, 433, 439; D18/4.1-4.6; D13/162,
D13/164, 177, 184; 361/684, 686, 728, 747;
235/382, 382.5, 476, 482, 483
See application file for complete search history.

(56) **References Cited**

U.S. PATENT DOCUMENTS

D329,231 S *	9/1992	Lee	D14/156
D350,741 S *	9/1994	Chen	D14/462
D361,759 S *	8/1995	Paull et al.	D14/417
D375,909 S *	11/1996	Dziersk et al.	D14/218
D391,943 S *	3/1998	Han	D14/356
D391,944 S *	3/1998	Han	D14/356
D406,118 S *	2/1999	Koivisto	D14/385
D416,559 S *	11/1999	Hoyt et al.	D14/217
6,141,221 A *	10/2000	Tong et al.	361/686
D436,109 S *	1/2001	Tong et al.	D14/434

D437,851 S	2/2001	Kojima et al.	
D448,365 S *	9/2001	Kerestegian et al. D14/240
D471,539 S *	3/2003	Warner et al. D14/231
6,560,102 B1 *	5/2003	Tong et al. 361/686
D478,578 S *	8/2003	Hao D14/240
D484,137 S *	12/2003	Wikel et al. D14/433
D490,840 S *	6/2004	Arakaki et al. D18/4.4
D491,953 S *	6/2004	Arakaki et al. D14/385
D494,576 S *	8/2004	Wikel D14/240
D495,700 S	9/2004	Mukai et al.	
D500,038 S	12/2004	Toratani et al.	
D513,231 S *	12/2005	Han et al. D13/147
D516,561 S *	3/2006	Tagliabue et al. D14/433
D520,448 S *	5/2006	Lodato et al. D13/110
D542,791 S *	5/2007	Fitch et al. D14/385

* cited by examiner

Primary Examiner—Cathron Brooks

Assistant Examiner—Deanna Fluegeman

(74) *Attorney, Agent, or Firm*—Brinks Hofer Gilson & Lione

(57) **CLAIM**

We claim the ornamental design for a contactless card reader/writer, as shown and described.

DESCRIPTION

FIG. 1 is a top perspective view of a contactless card reader/writer of the present invention;

FIG. 2 is a front view thereof;

FIG. 3 is a rear view thereof;

FIG. 4 is a right side view thereof, the left side view being a mirror image thereof;

FIG. 5 is a top view thereof; and,

FIG. 6 is a bottom view thereof.

1 Claim, 3 Drawing Sheets

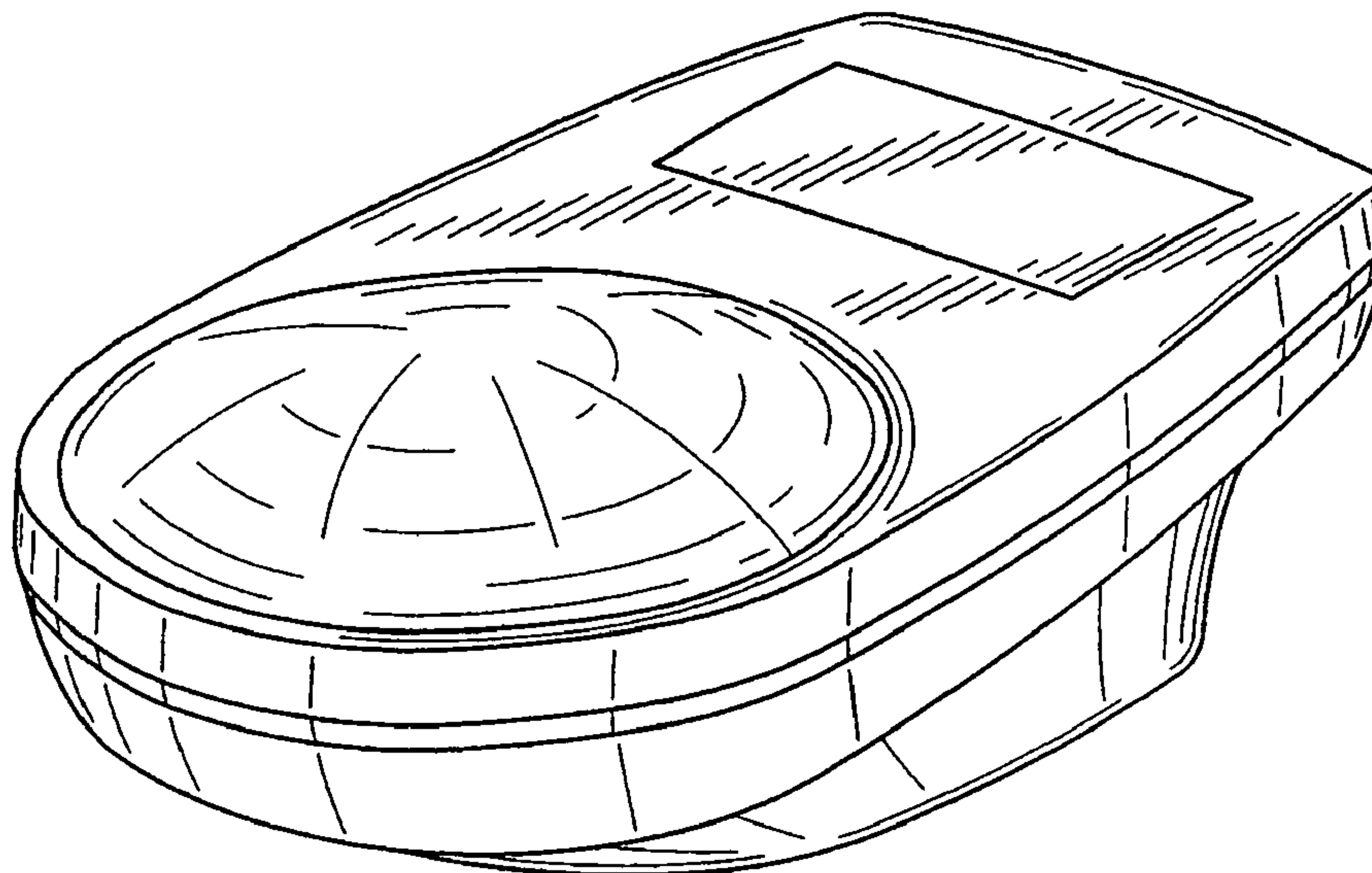


FIG.1

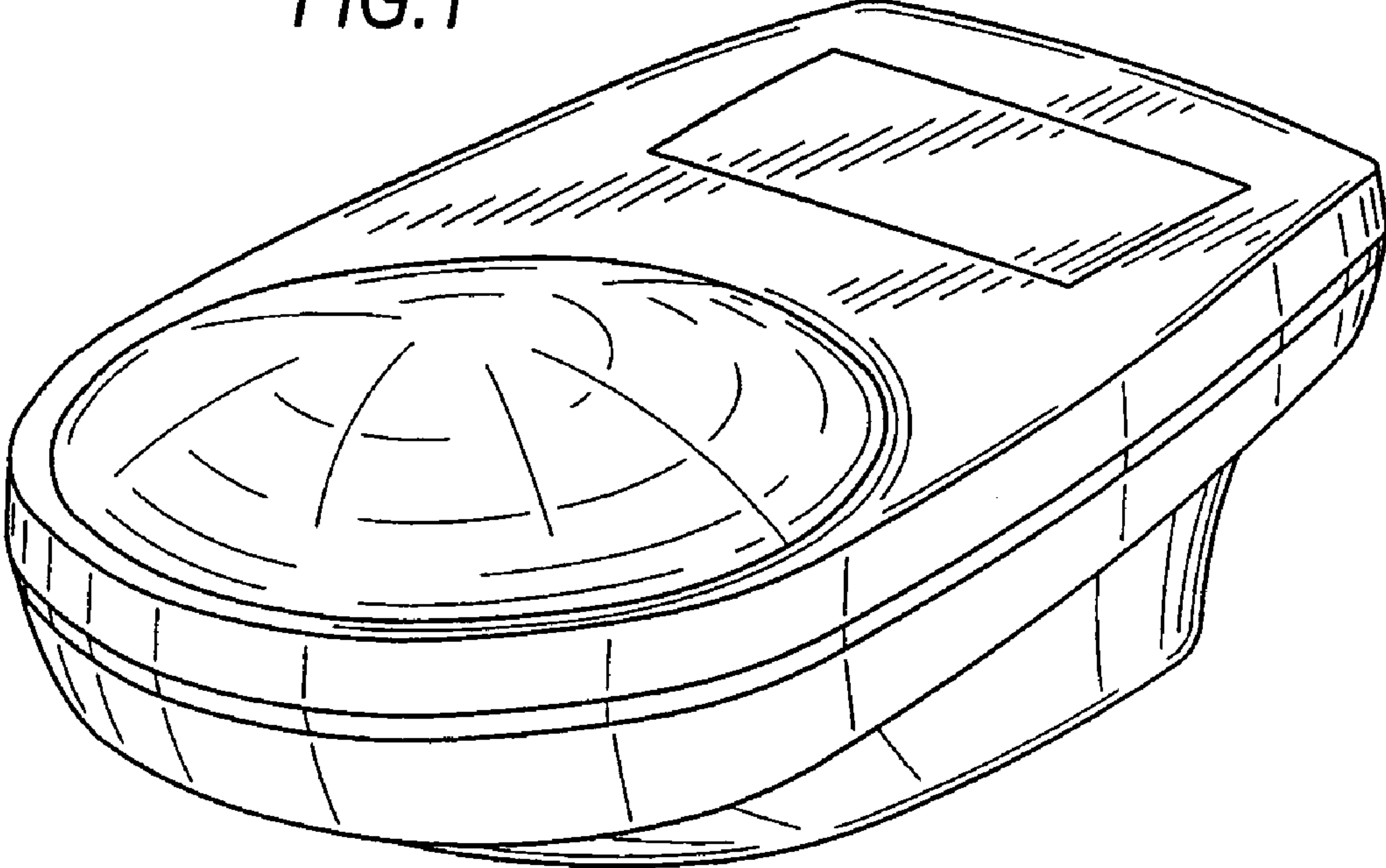


FIG.2

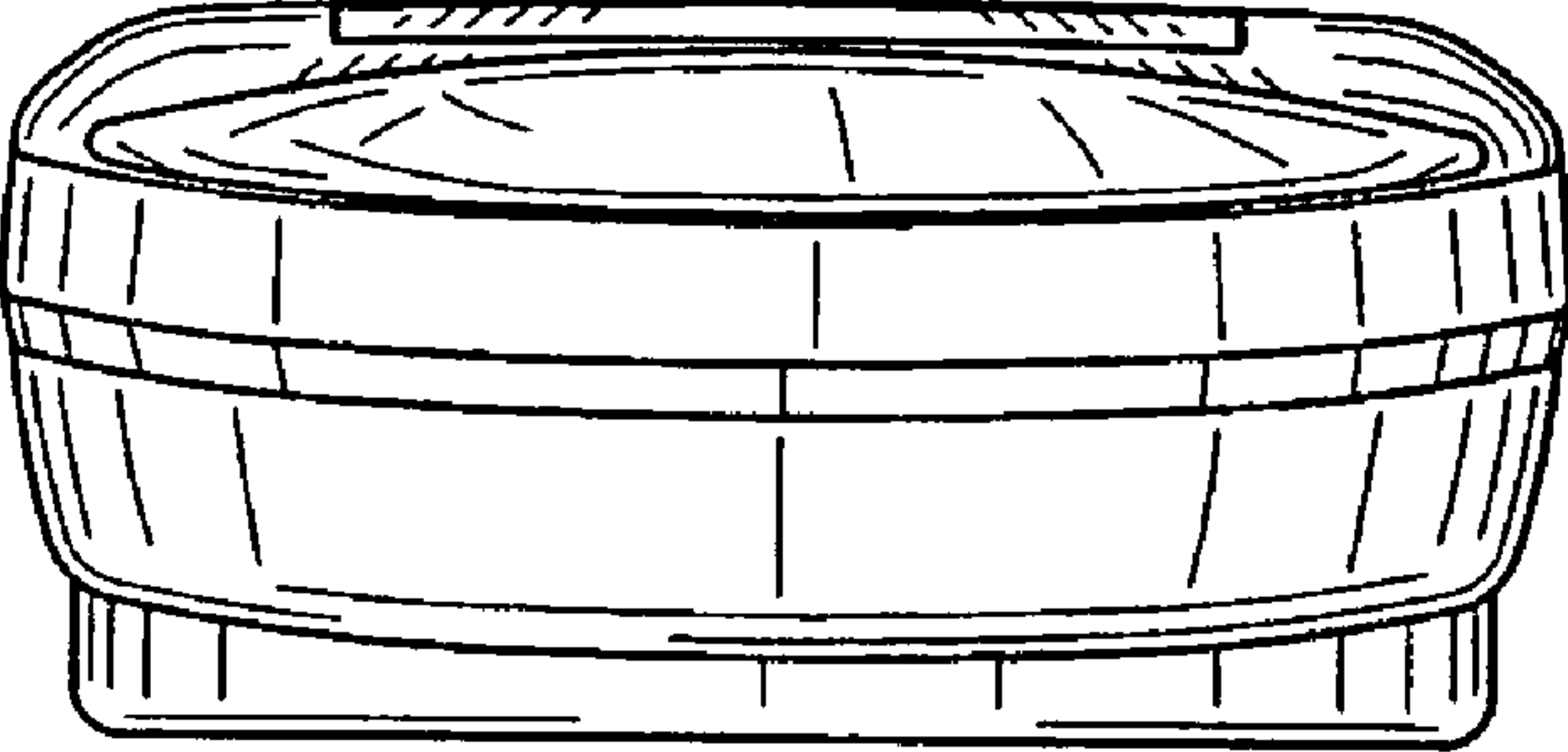


FIG.3

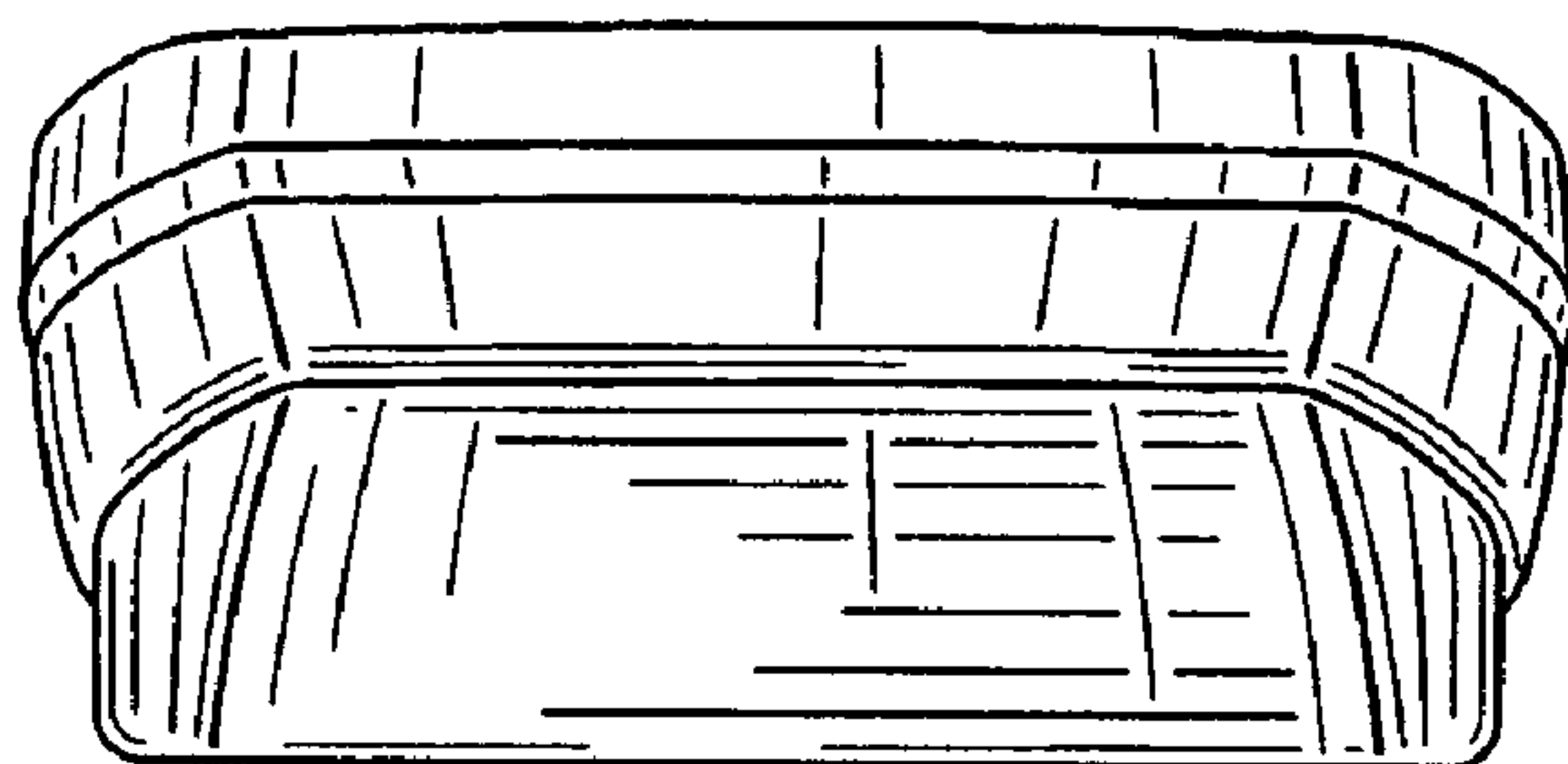


FIG.4

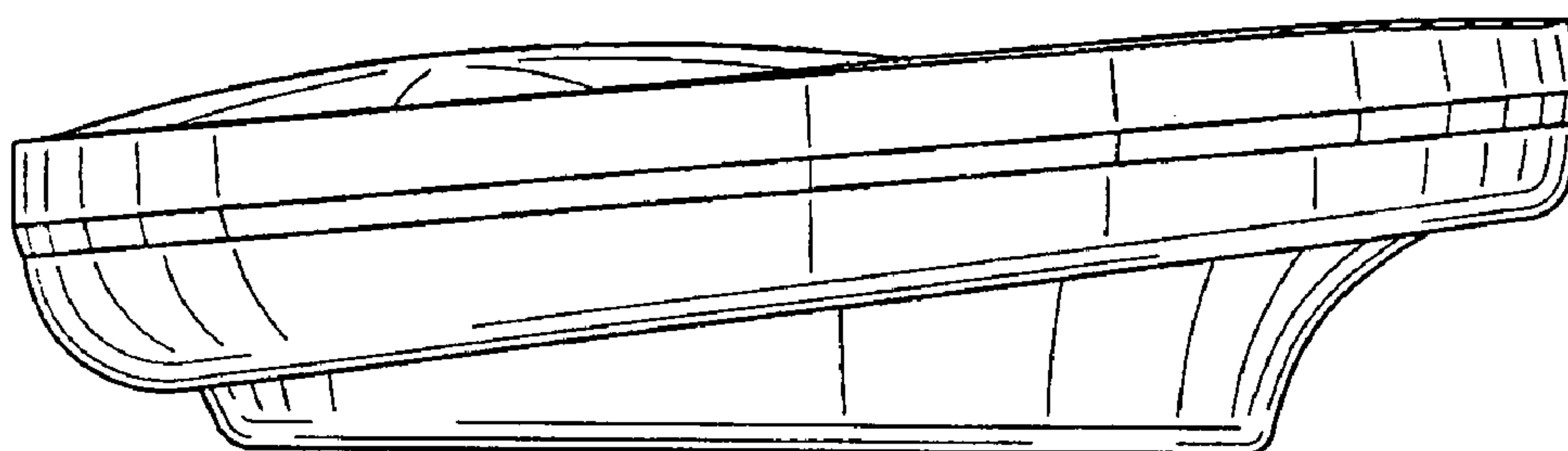


FIG.5

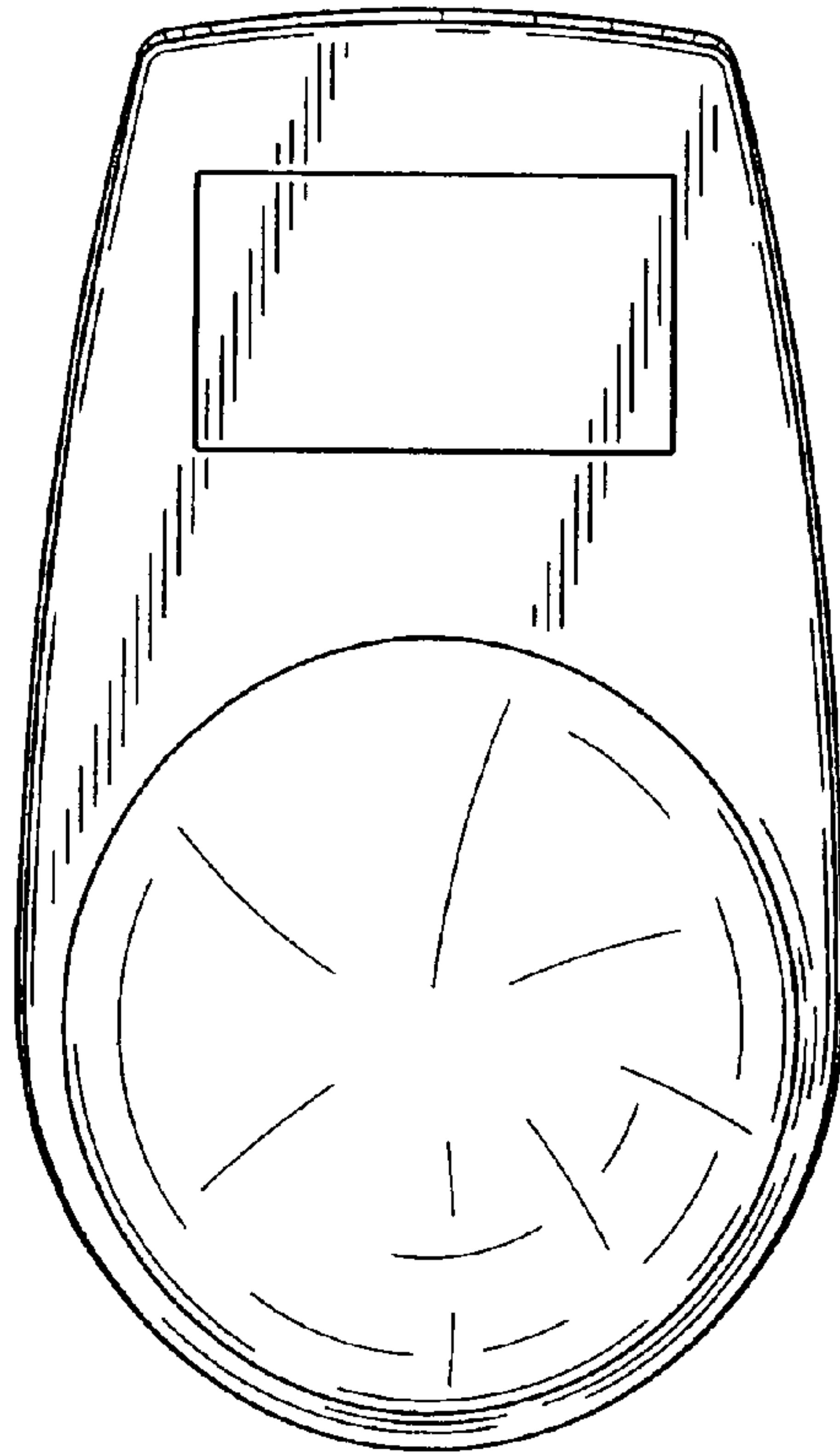


FIG.6

