



US00D560214S

(12) **United States Design Patent**
Yuba et al.

(10) **Patent No.:** **US D560,214 S**
(45) **Date of Patent:** **** Jan. 22, 2008**

(54) **PLANAR ANTENNA**

(75) Inventors: **Takashi Yuba**, Shinagawa (JP); **Hideki Iwata**, Shinagawa (JP); **Masahiro Yanagi**, Shinagawa (JP); **Takashi Arita**, Shinagawa (JP)

(73) Assignee: **Fujitsu Component Limited**, Tokyo (JP)

(**) Term: **14 Years**

(21) Appl. No.: **29/257,759**

(22) Filed: **Apr. 11, 2006**

(30) **Foreign Application Priority Data**

Dec. 28, 2005 (JP) 2005-038825

(51) **LOC (8) Cl.** **14-03**

(52) **U.S. Cl.** **D14/230; D14/358**

(58) **Field of Classification Search** D14/138, D14/230-238, 299, 358; D12/42, 43; 343/700 R-705, 343/871-908, 795, 840, 711-713, 819, 846; 455/90.2, 90.3, 91, 128, 269, 344, 347, 562.1
See application file for complete search history.

(56) **References Cited**

U.S. PATENT DOCUMENTS

D315,351 S *	3/1991	Velazquez	D14/234
D345,564 S *	3/1994	Kadono et al.	D14/230
5,467,477 A *	11/1995	Furuta et al.	455/348
D418,839 S *	1/2000	Brunner et al.	D14/230
D442,170 S *	5/2001	Mou	D14/238
D454,125 S *	3/2002	Stout et al.	D14/230

* cited by examiner

Primary Examiner—Stella M. Reid
Assistant Examiner—John Windmuller
(74) *Attorney, Agent, or Firm*—Staas & Halsey, LLP

(57) **CLAIM**

The ornamental design for a planar antenna, as shown and described.

DESCRIPTION

FIG. 1 is a top front and right side perspective view of a planar antenna showing our new design;

FIG. 2 is a front view thereof;

FIG. 3 is a rear view thereof;

FIG. 4 is a top view thereof;

FIG. 5 is a bottom view thereof;

FIG. 6 is a right side view thereof;

FIG. 7 is a left side view thereof;

FIG. 8 is a rear bottom and left side perspective view thereof;

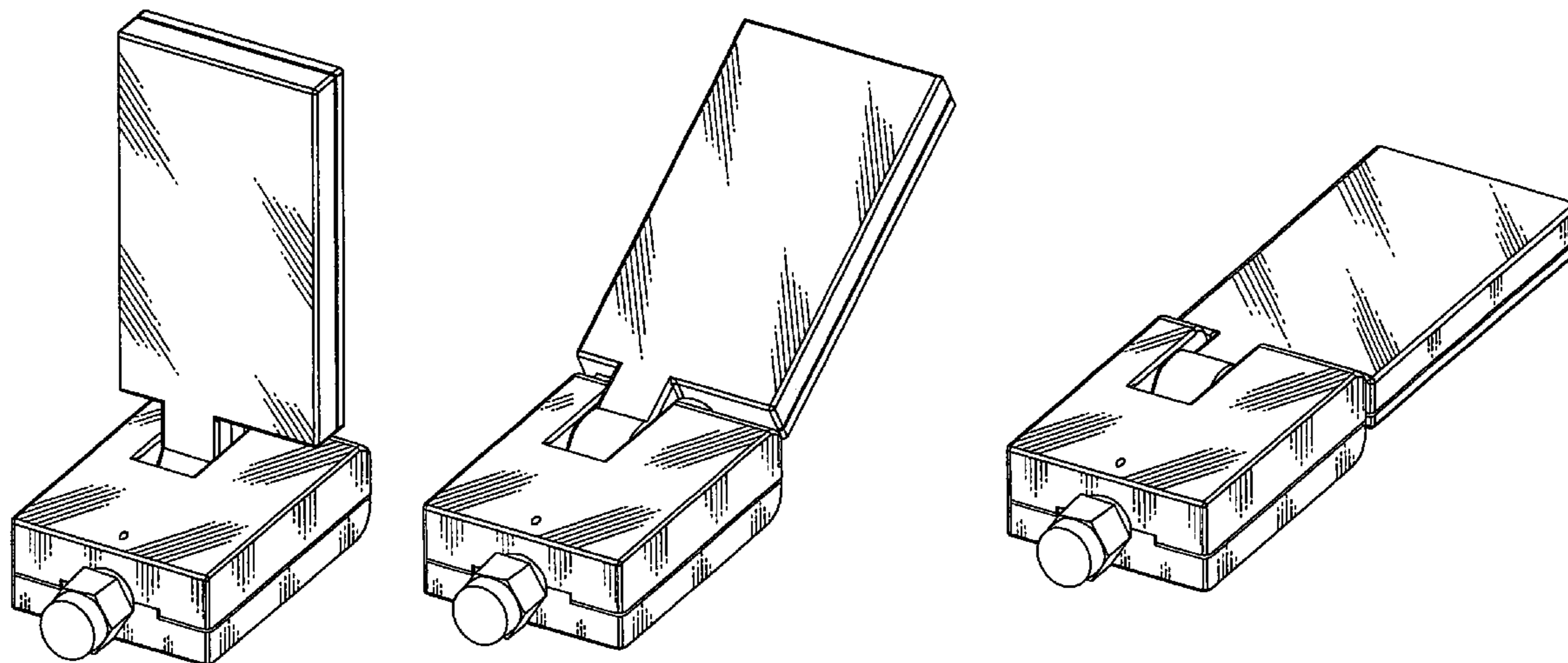
FIG. 9 is a top front and right side perspective view thereof where the antenna case thereof is disposed at a different angle from that shown in FIG. 1;

FIG. 10 is a top front and right side perspective view thereof where the antenna case thereof is disposed at a different angle from that shown in FIG. 1; and,

FIG. 11 is a perspective view thereof showing an alternate position of use.

The broken line showing of a laptop computer in FIG. 11 is included for the purpose of illustrating environment and forms no part of the claimed design.

1 Claim, 11 Drawing Sheets



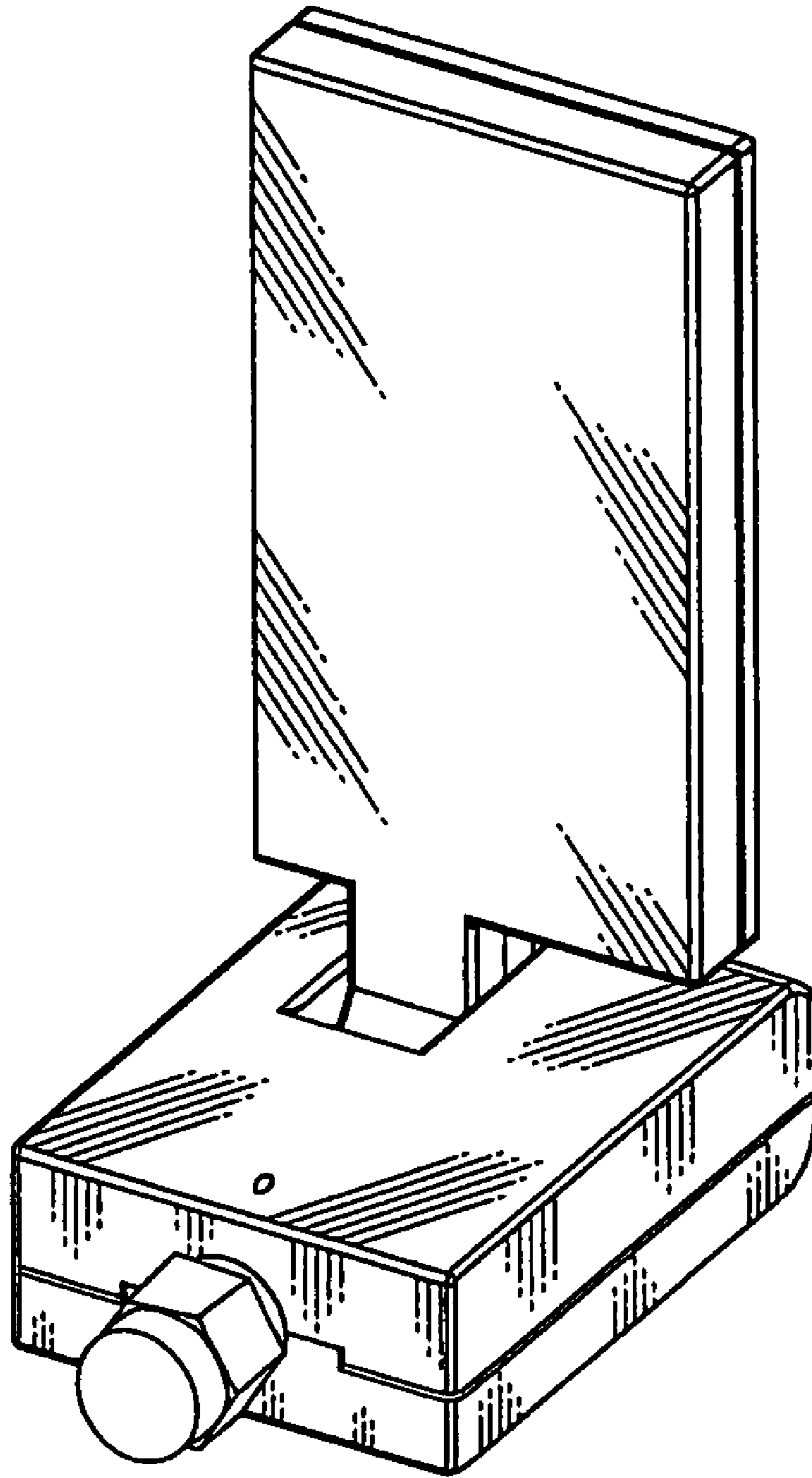


FIG. 1

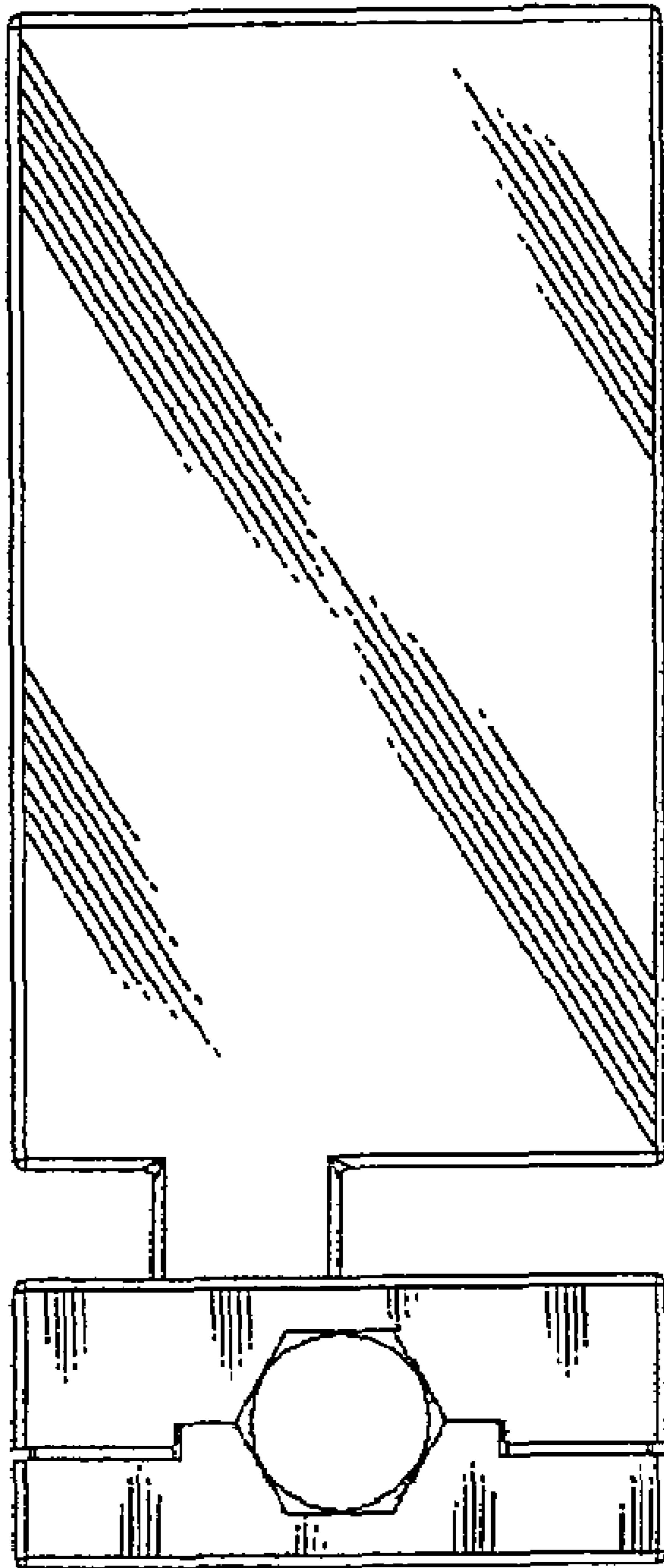


FIG. 2

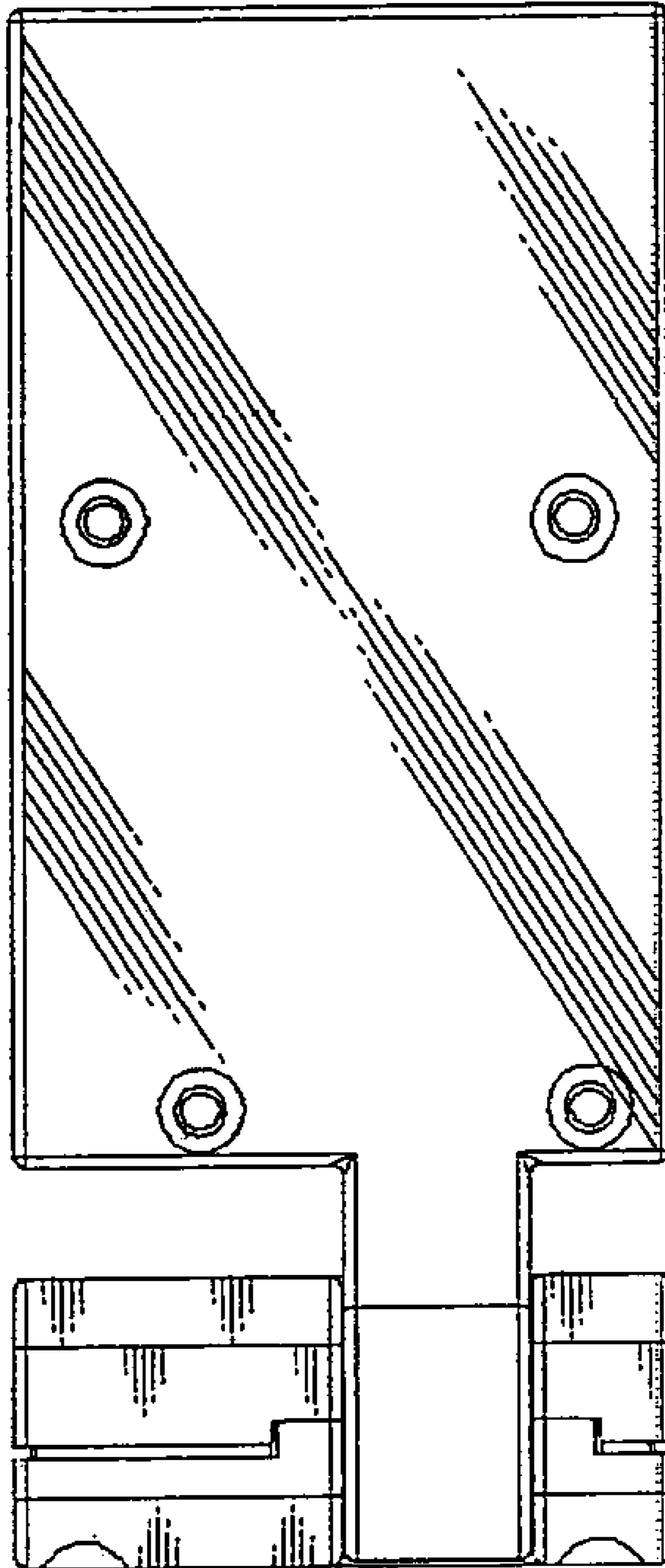


FIG. 3

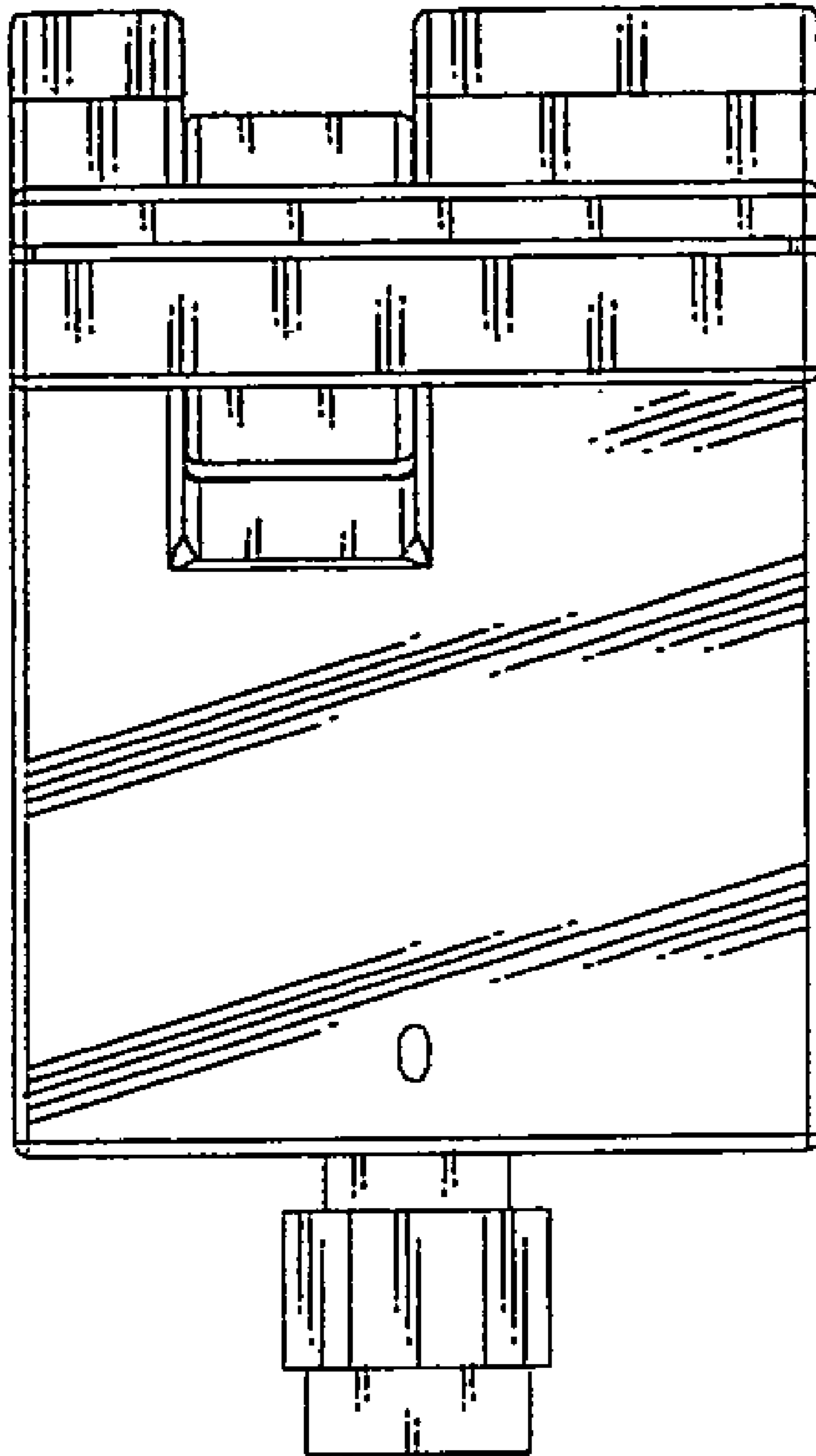


FIG. 4

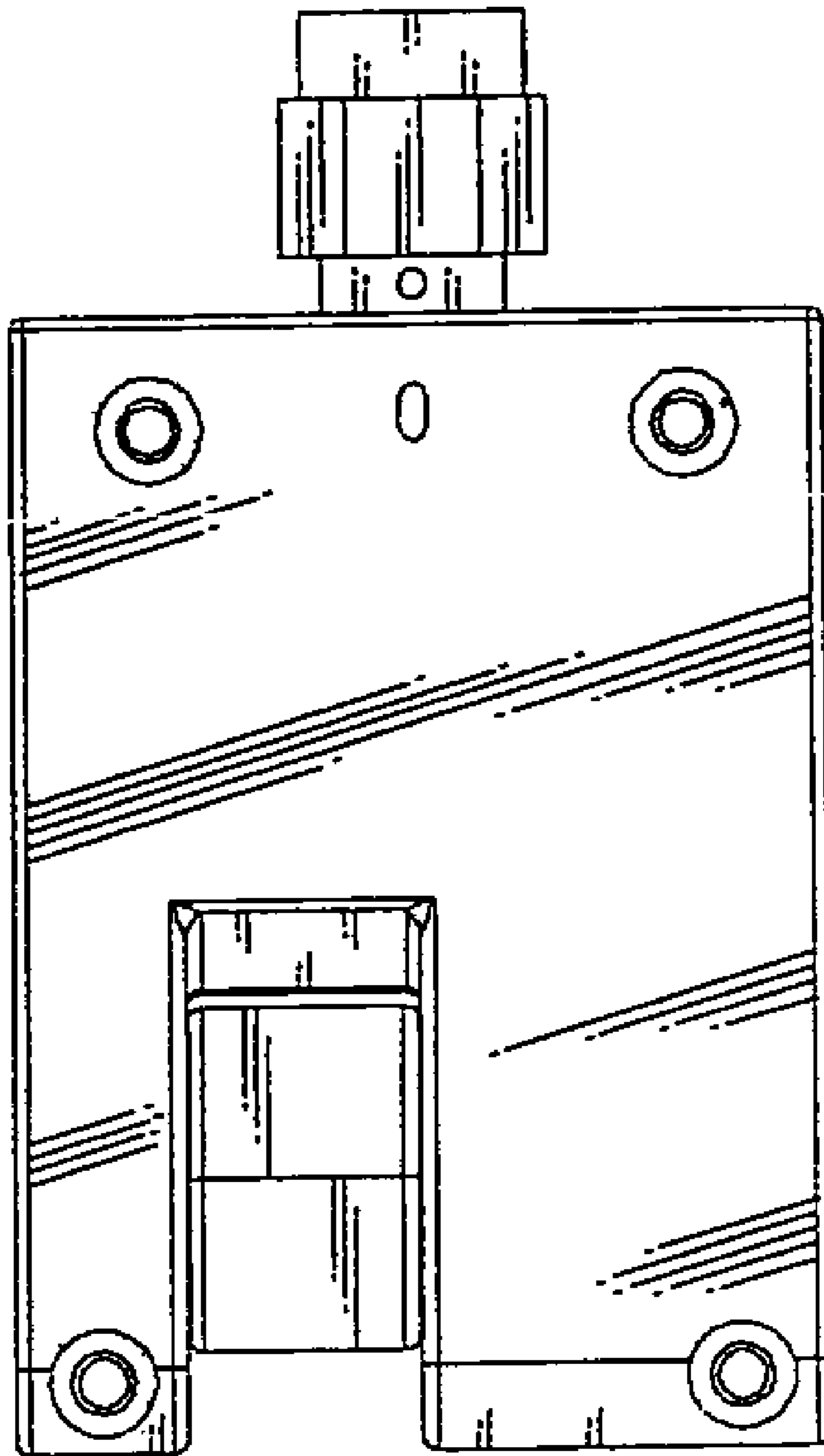


FIG. 5

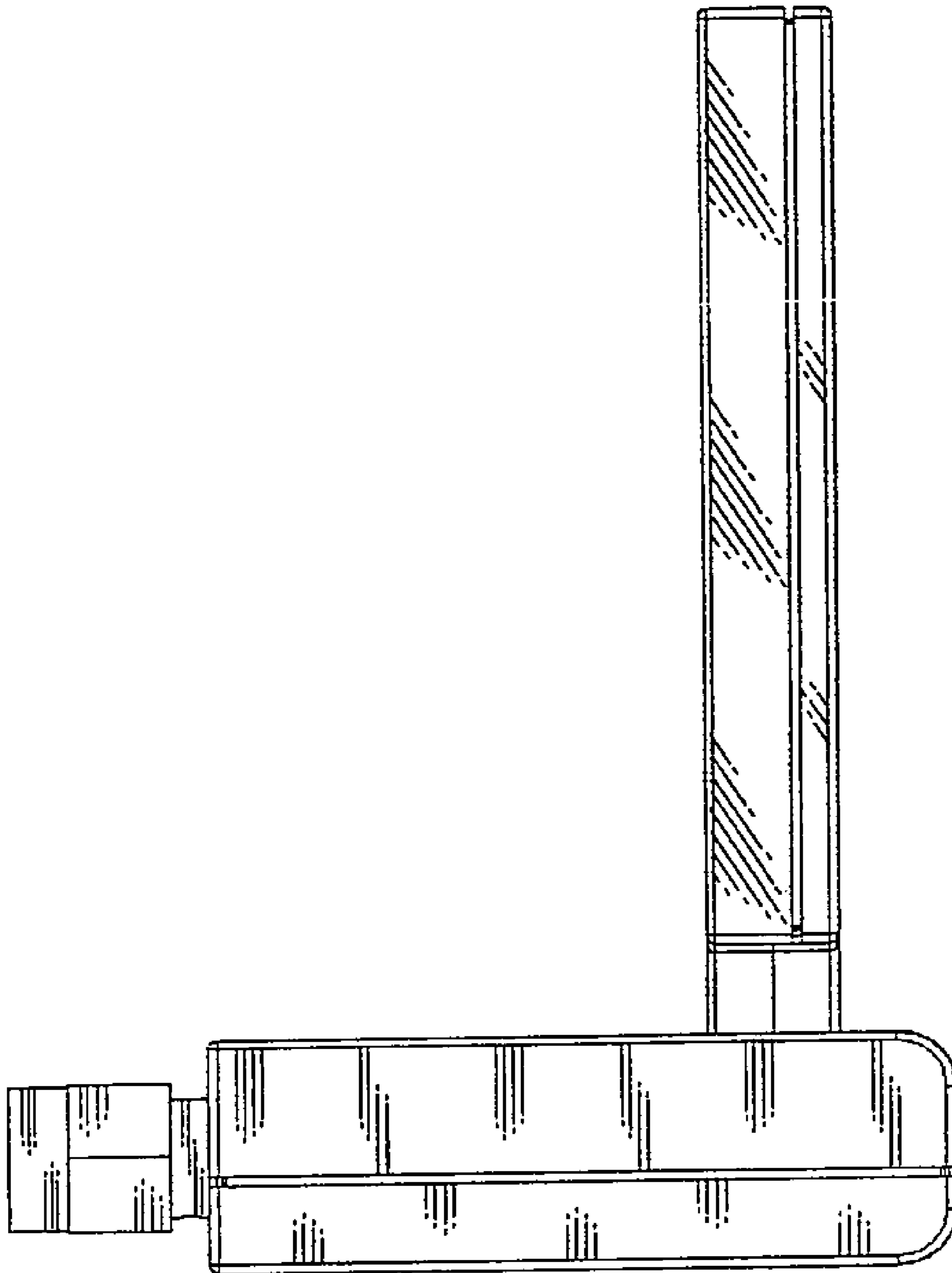


FIG. 6

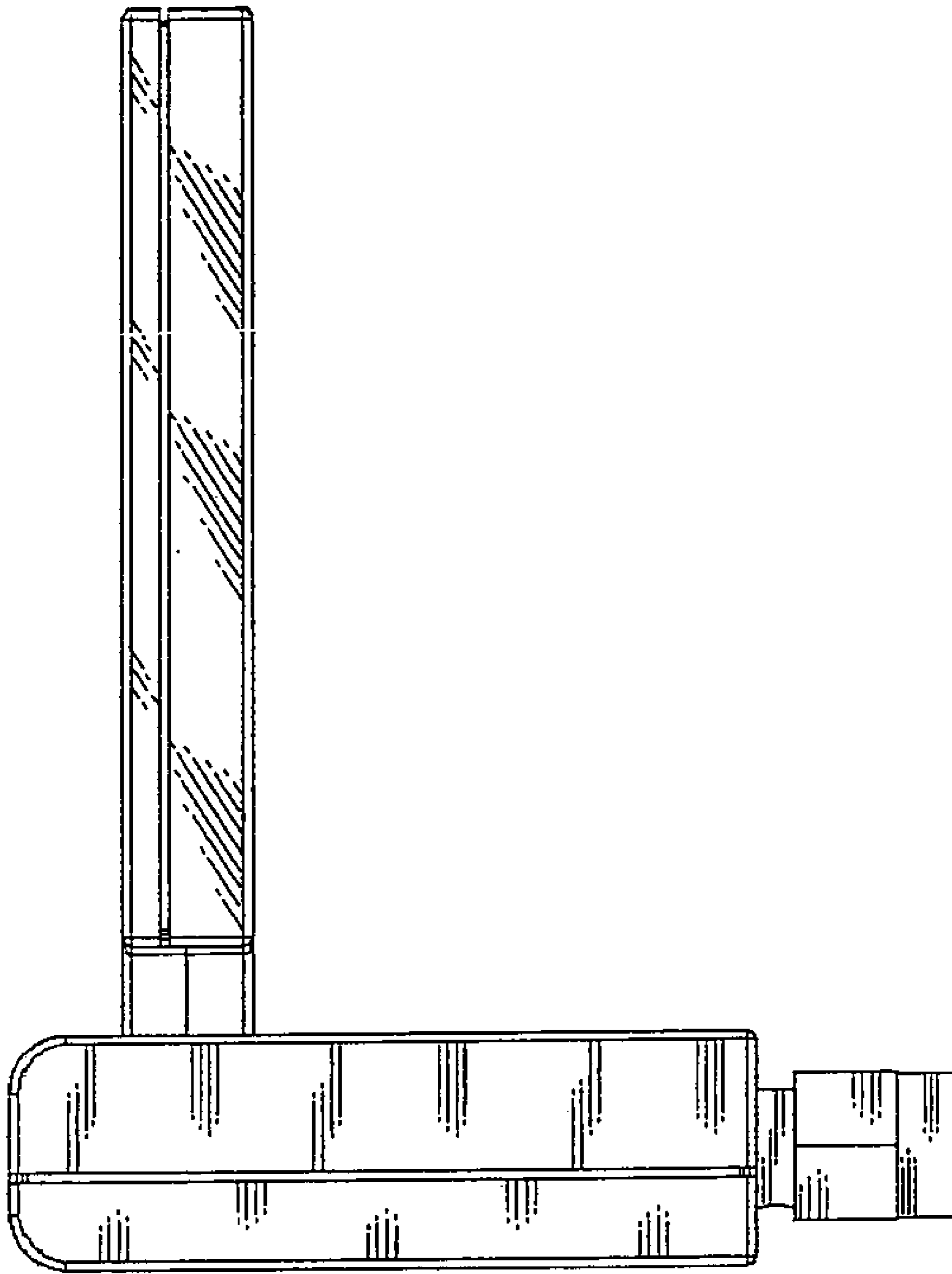


FIG. 7

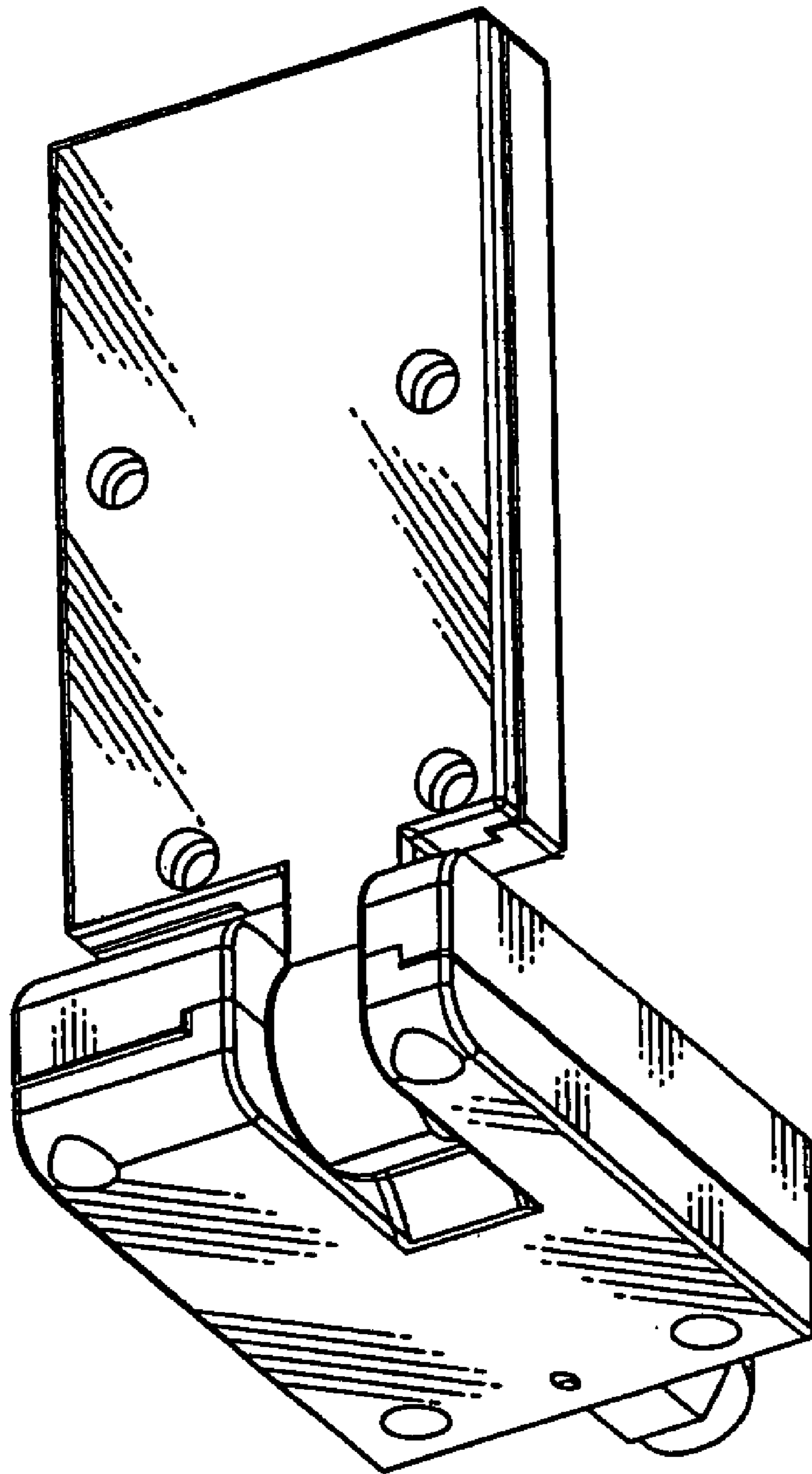


FIG.8

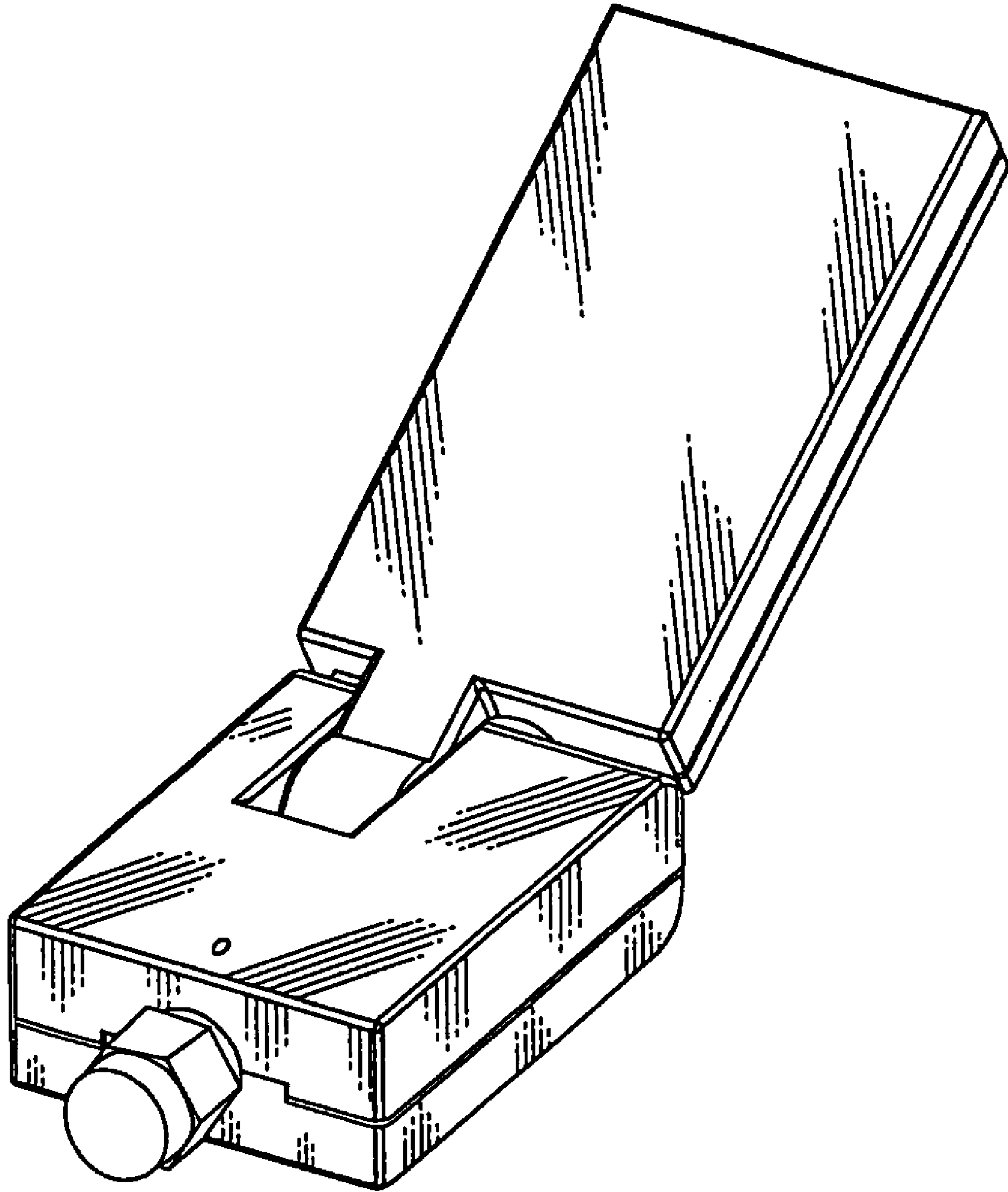


FIG.9

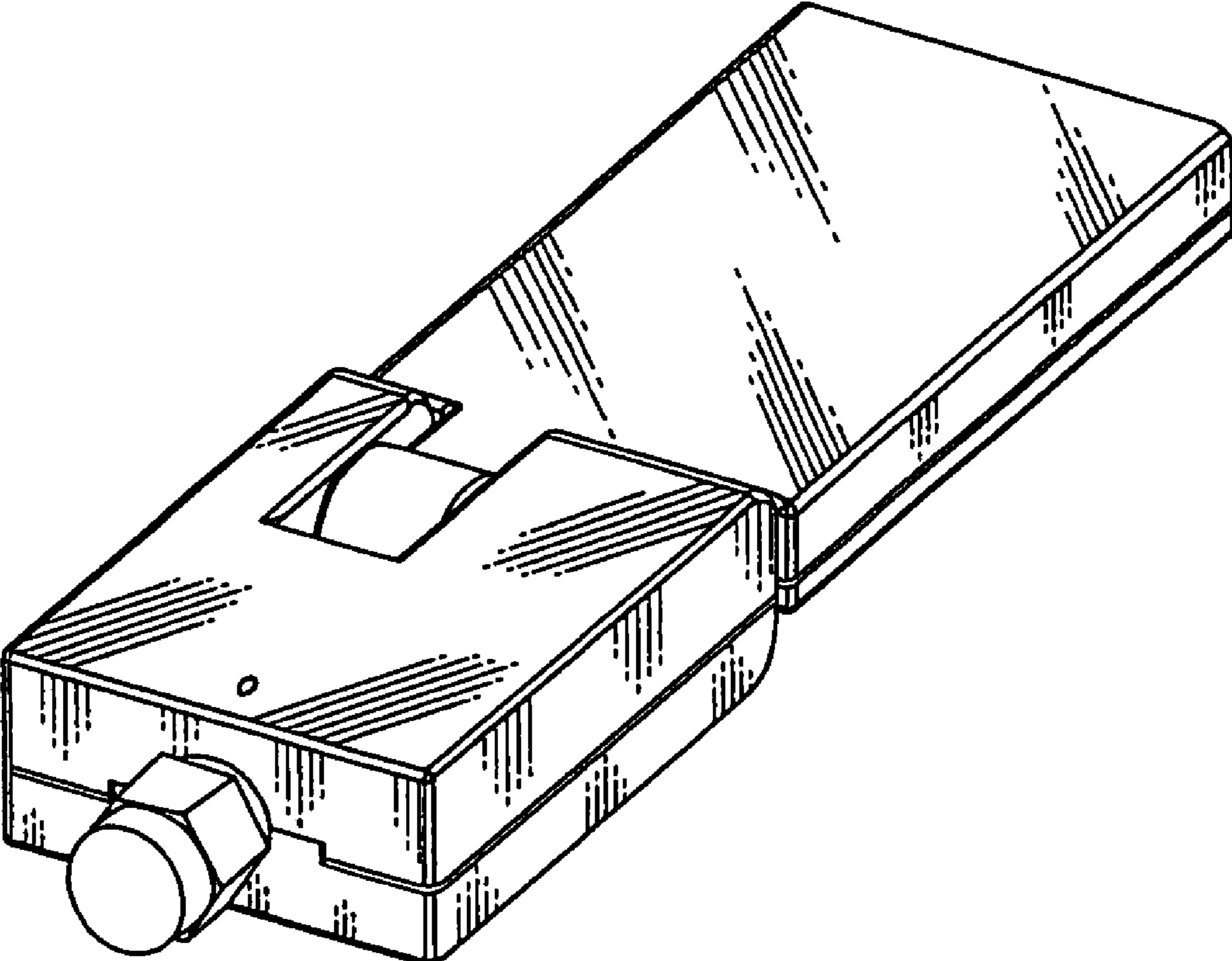


FIG.10

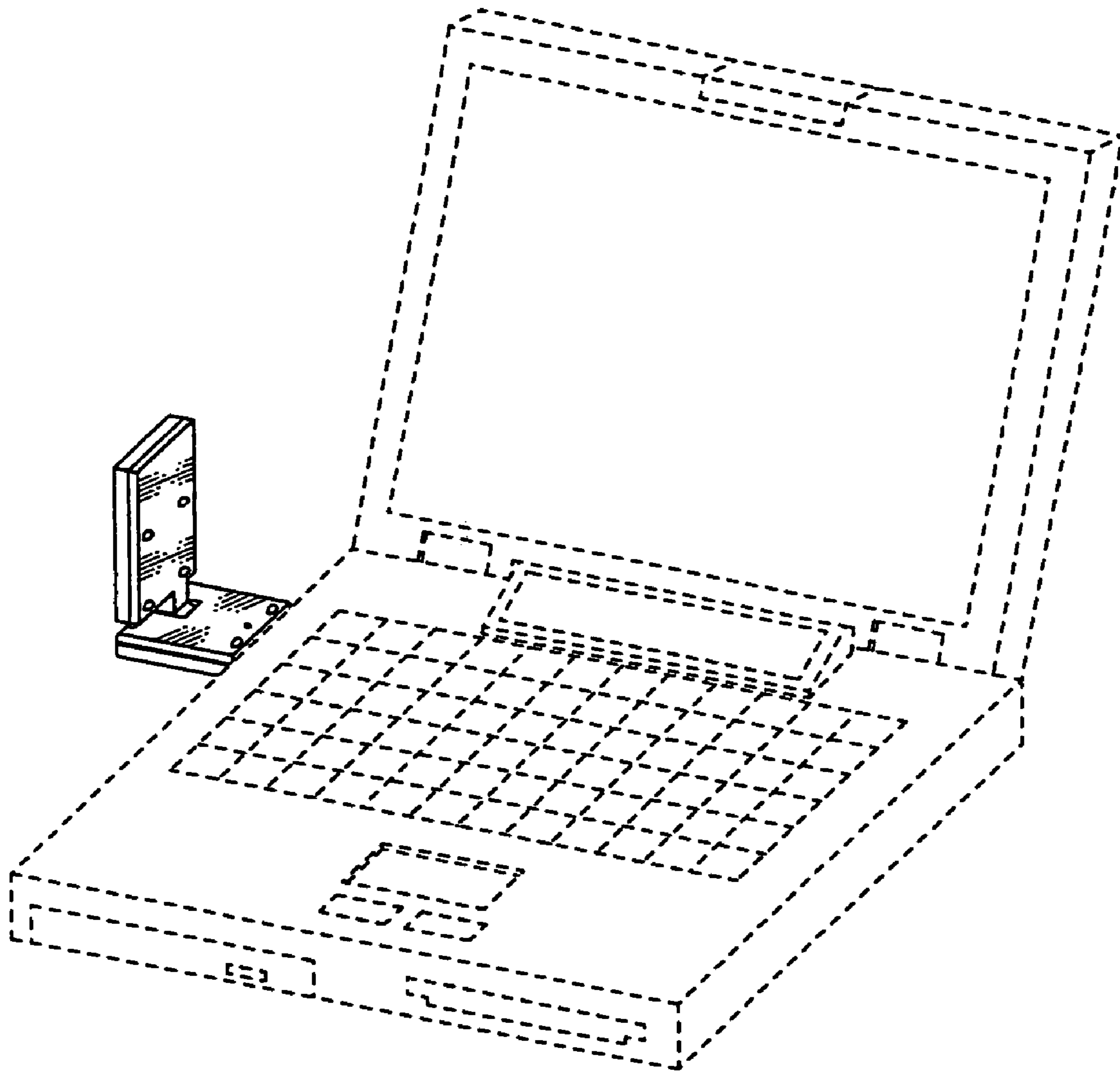


FIG.11