



US00D560208S

(12) **United States Design Patent**
Skurdal

(10) **Patent No.:** **US D560,208 S**

(45) **Date of Patent:** **** Jan. 22, 2008**

(54) **AMPLIFIED SPEAKERS WITH ALARM CLOCK**

(74) *Attorney, Agent, or Firm*—Ostrolenk, Faber, Gerb & Soffen, LLP

(75) Inventor: **Andrew Skurdal**, Weehawken, NJ (US)

(57) **CLAIM**

(73) Assignee: **SDI Technologies Inc.**, Rahway, NJ (US)

The ornamental design for amplified speakers with alarm clock, as shown and described.

(**) Term: **14 Years**

DESCRIPTION

(21) Appl. No.: **29/269,940**

FIG. 1 is a top, front, right side perspective view of a amplified speaker with alarm clock showing my new design;

(22) Filed: **Dec. 12, 2006**

FIG. 2 is a perspective view of FIG. 1, without the portable device.

(51) **LOC (8) Cl.** **14-01**

FIG. 3 is a top plan view thereof;

(52) **U.S. Cl.** **D14/214; D14/217**

FIG. 4 is a front elevational view thereof;

(58) **Field of Classification Search** **D14/204,**

FIG. 5 is a rear elevational view thereof;

D14/209–217, 168, 188, 496, 170–172; 181/143–144,

FIG. 6 is left side elevational view thereof;

181/147–148, 150, 157, 198–199, 151, 153;

FIG. 7 is a right side elevational view thereof;

381/300–302, 306, 333, 345, 361–364, 386–388,

FIG. 8 is a bottom plan view thereof;

381/332, 336; 455/573, 344, 130

See application file for complete search history.

FIG. 9 is a top, front, right side perspective view of FIG. 1, in an alternate condition;

(56) **References Cited**

FIG. 10 is a top plan view thereof;

U.S. PATENT DOCUMENTS

FIG. 11 is a front elevational view thereof;

D277,960 S * 3/1985 Brandsma D14/171

FIG. 12 is a rear elevational view thereof;

D451,901 S * 12/2001 Chan D14/170

FIG. 13 is left side elevational view thereof;

D508,689 S * 8/2005 Schul et al. D14/172

FIG. 14 is a right side elevational view thereof; and,

D514,090 S * 1/2006 Carbone et al. D14/214

FIG. 15 is a bottom plan view thereof.

D523,419 S * 6/2006 Joseph D14/214

7,095,867 B2 * 8/2006 Schul et al. 381/386

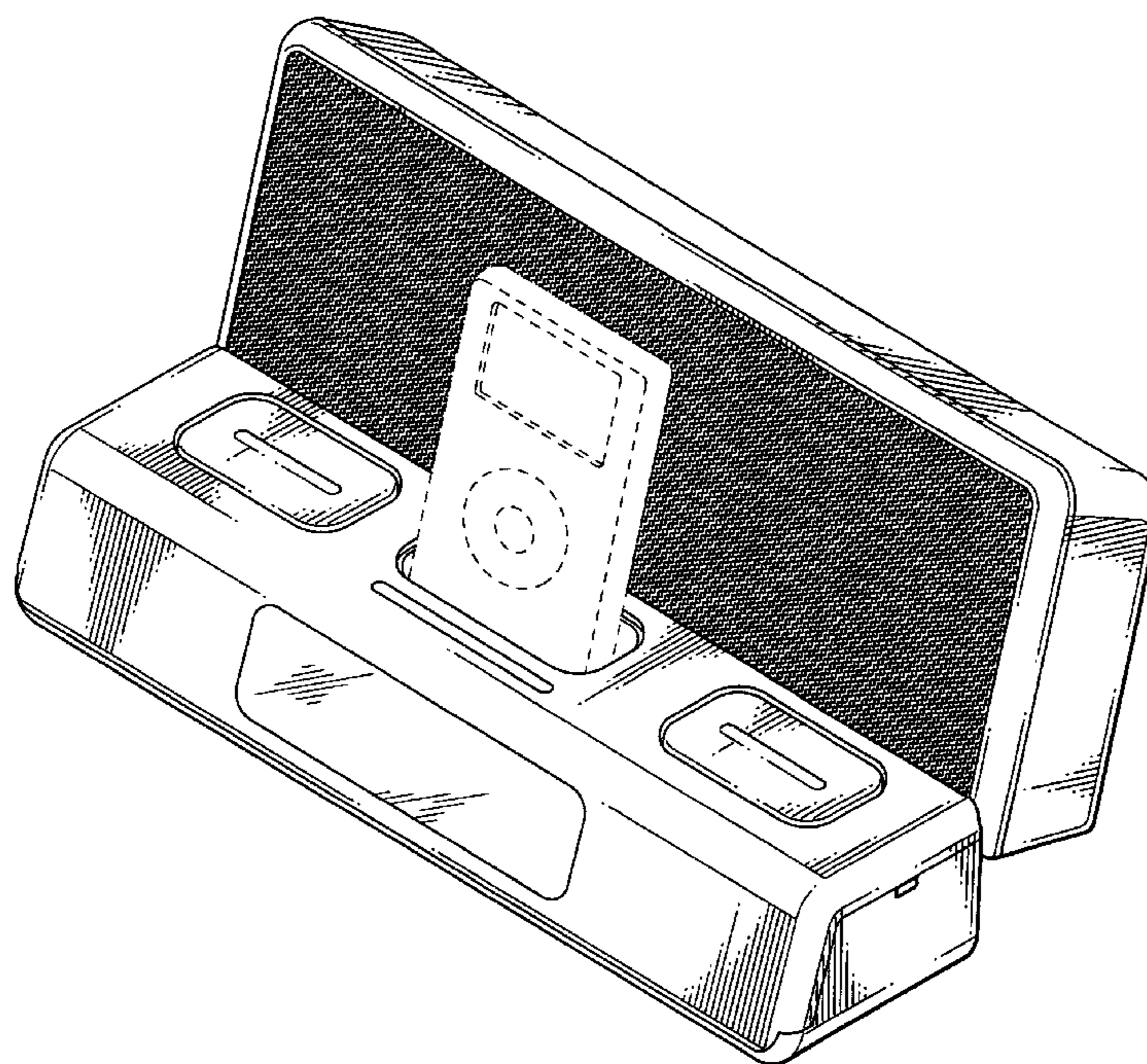
D532,773 S * 11/2006 Langberg et al. D14/214

* cited by examiner

Broken lines depict environmental material that is not part of the claimed design.

Primary Examiner—Nanda Bondade

1 Claim, 12 Drawing Sheets



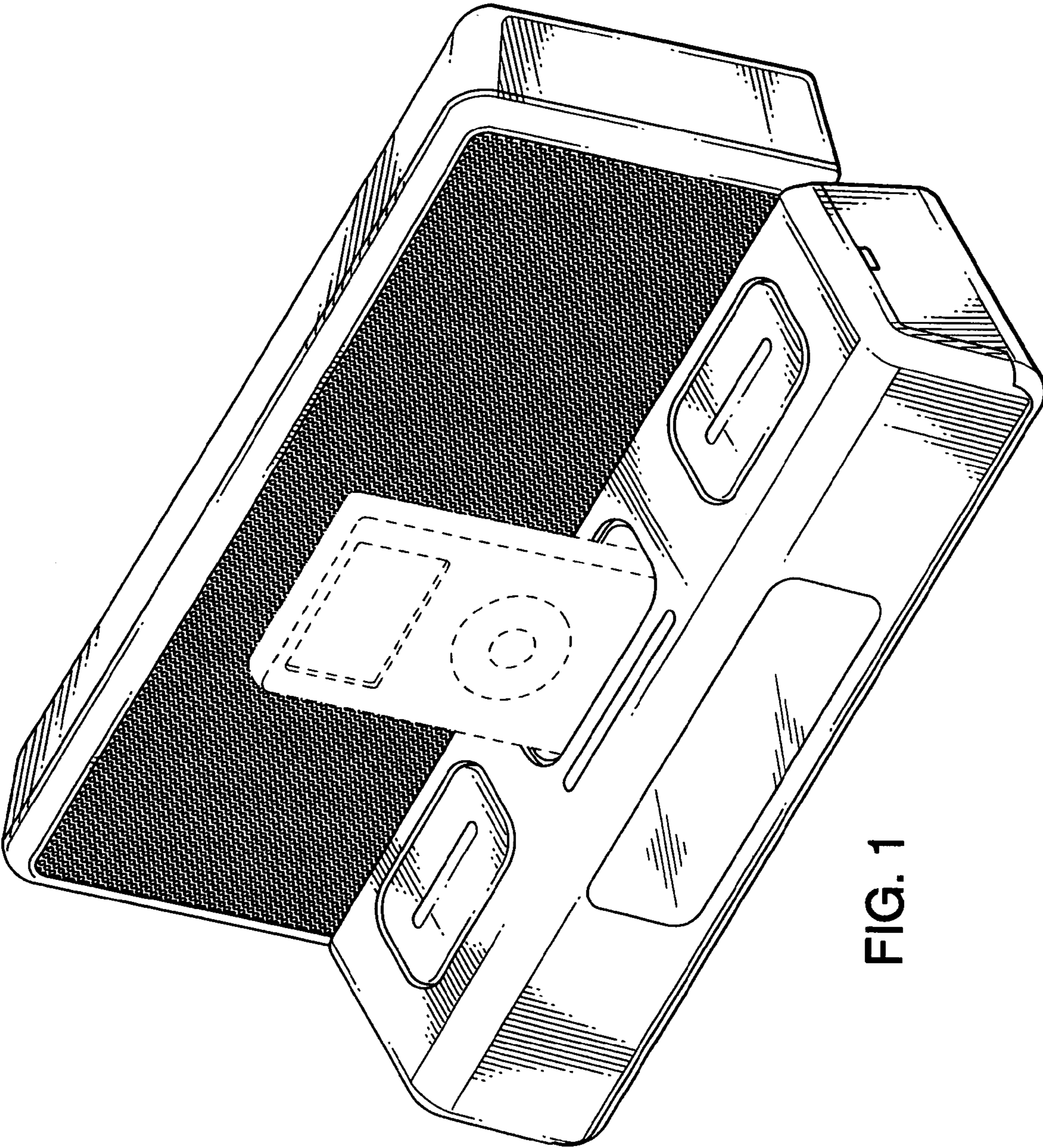


FIG. 1

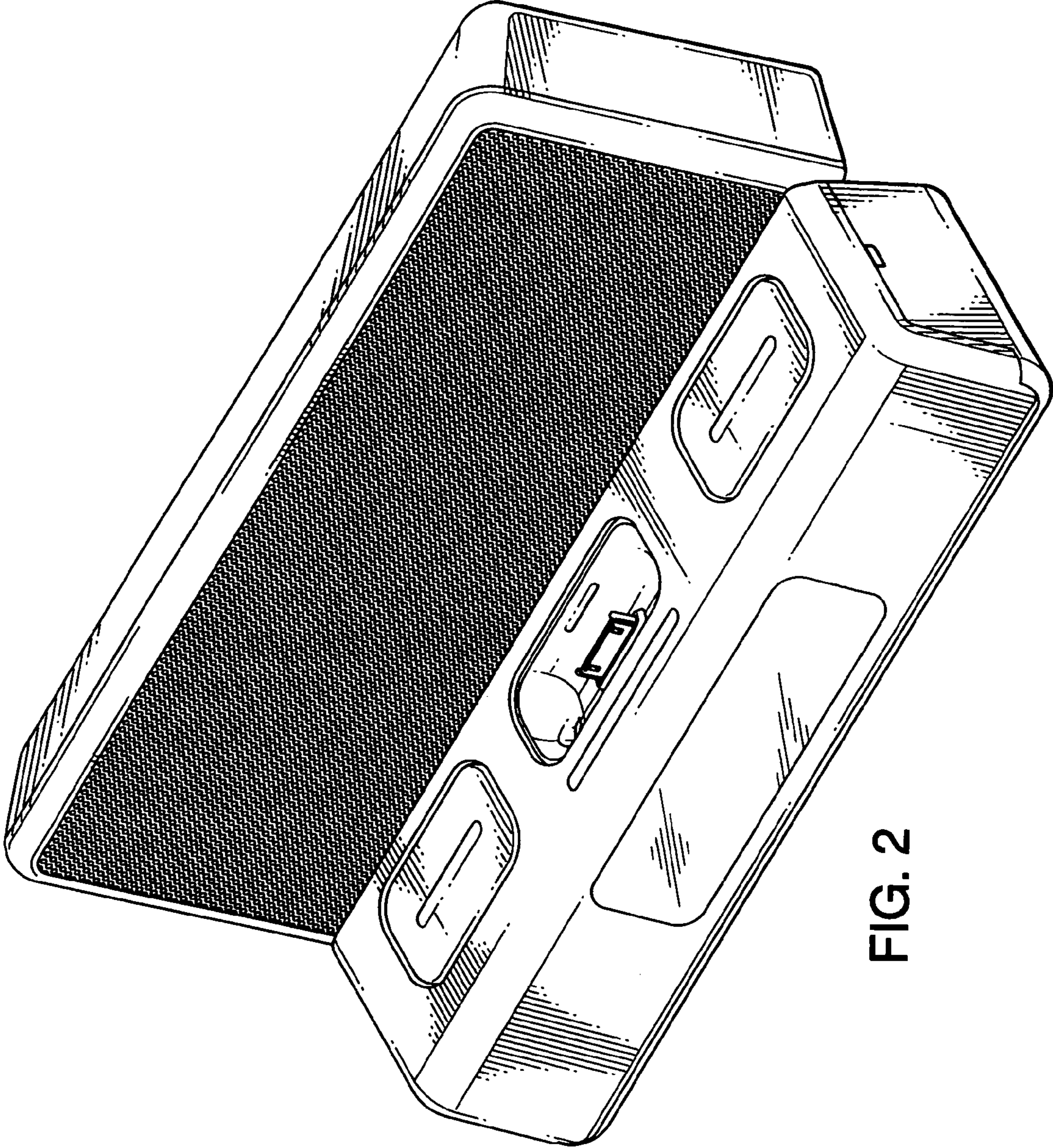


FIG. 2

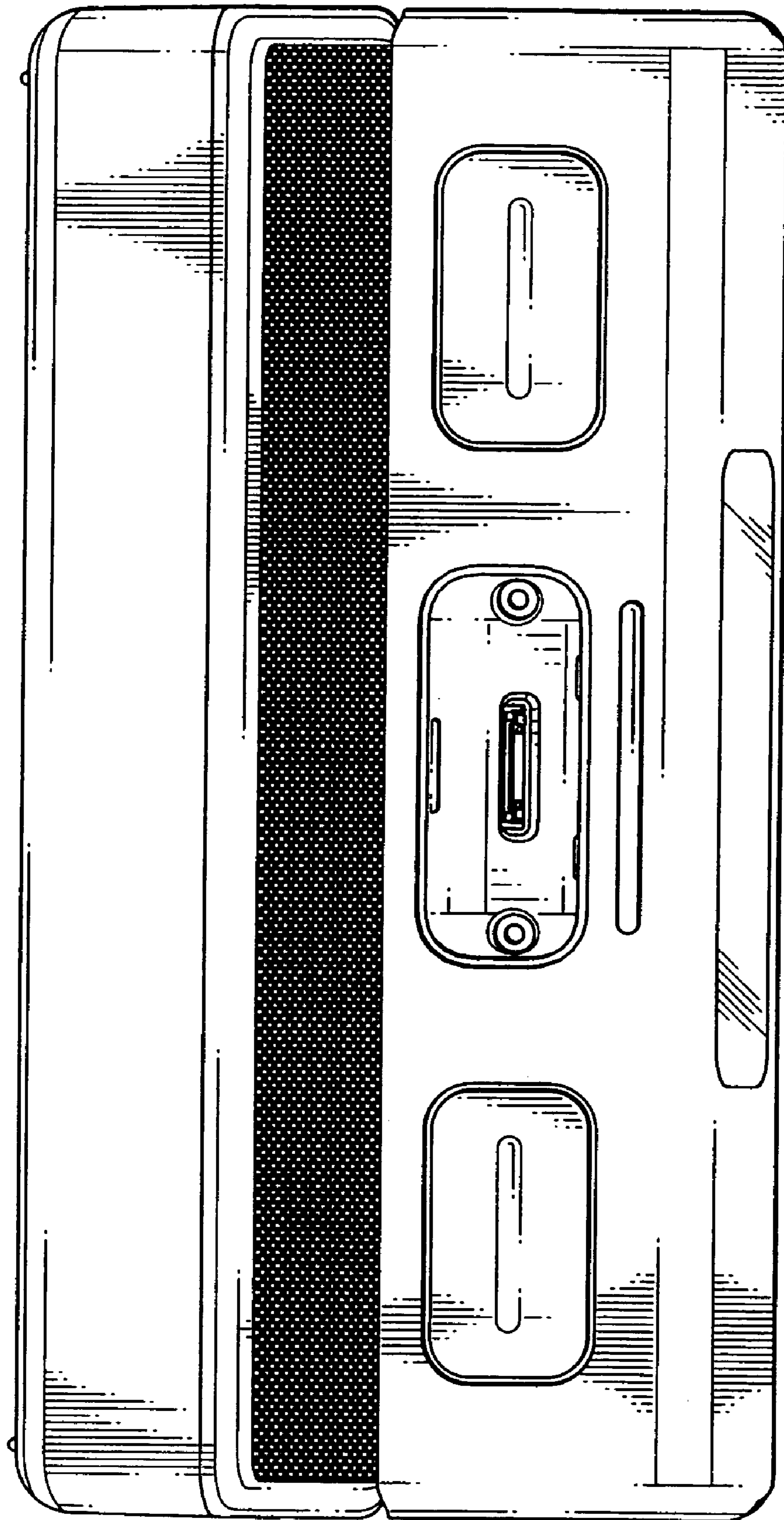


FIG. 3

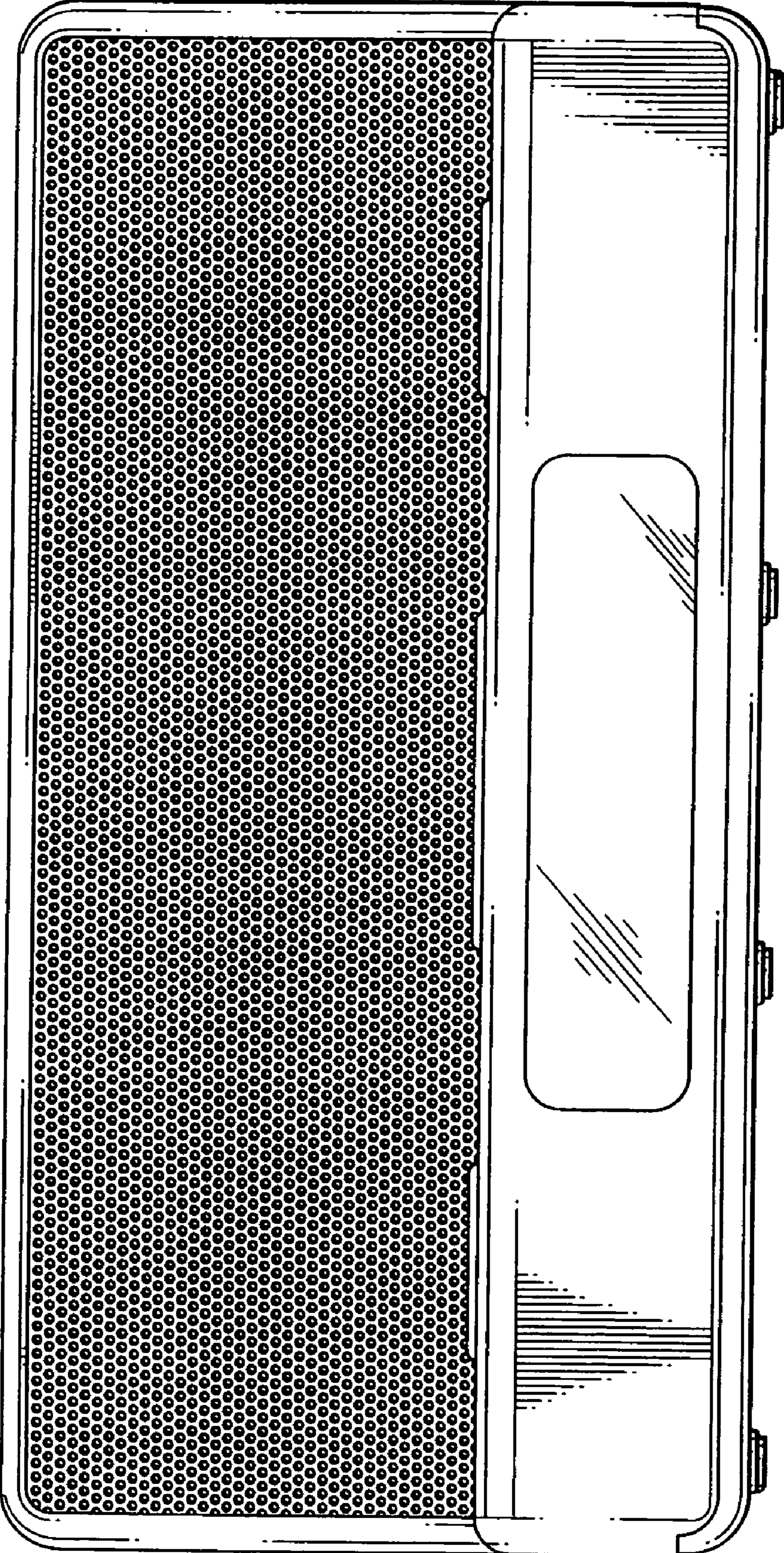


FIG. 4

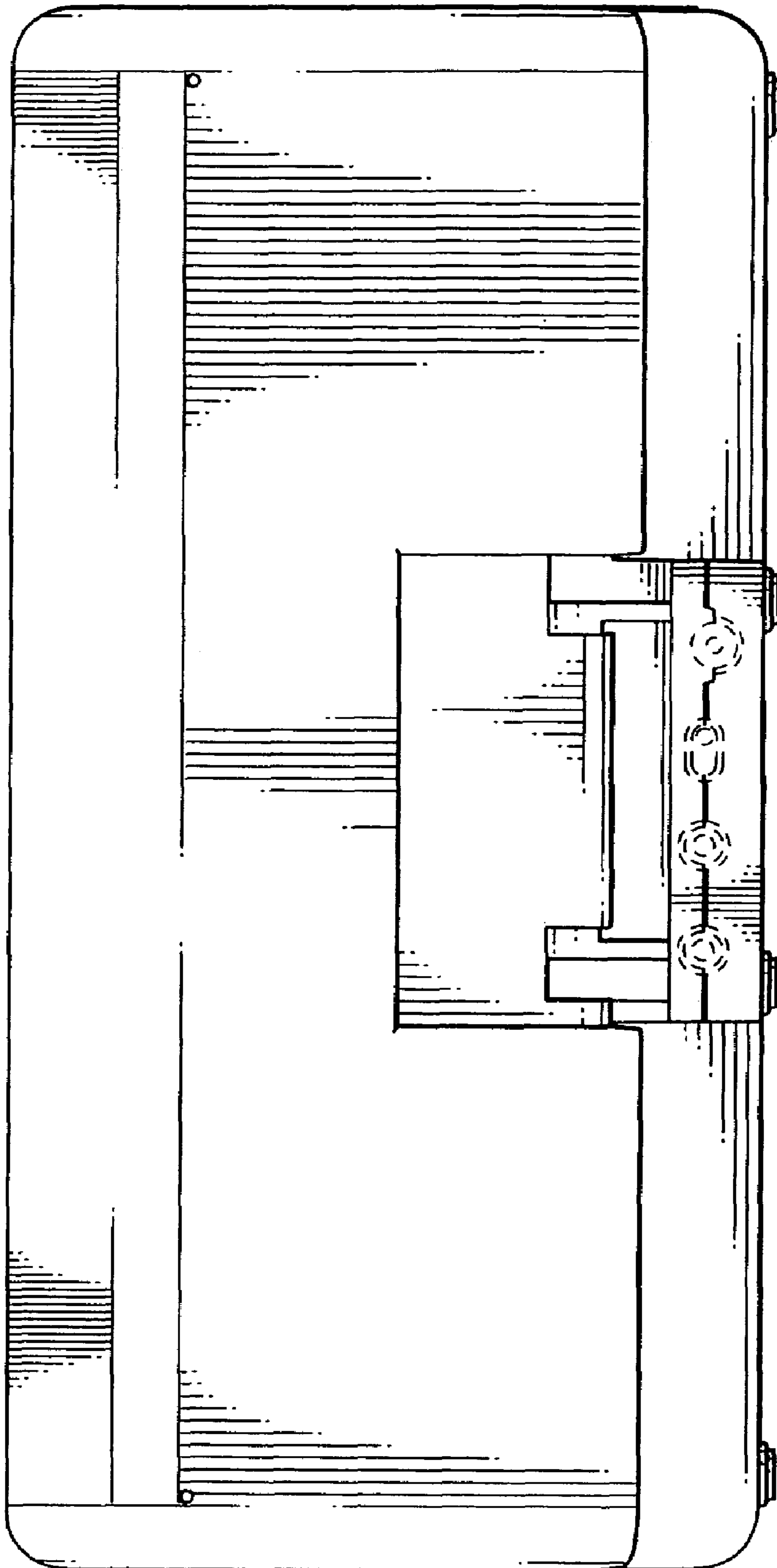


FIG. 5

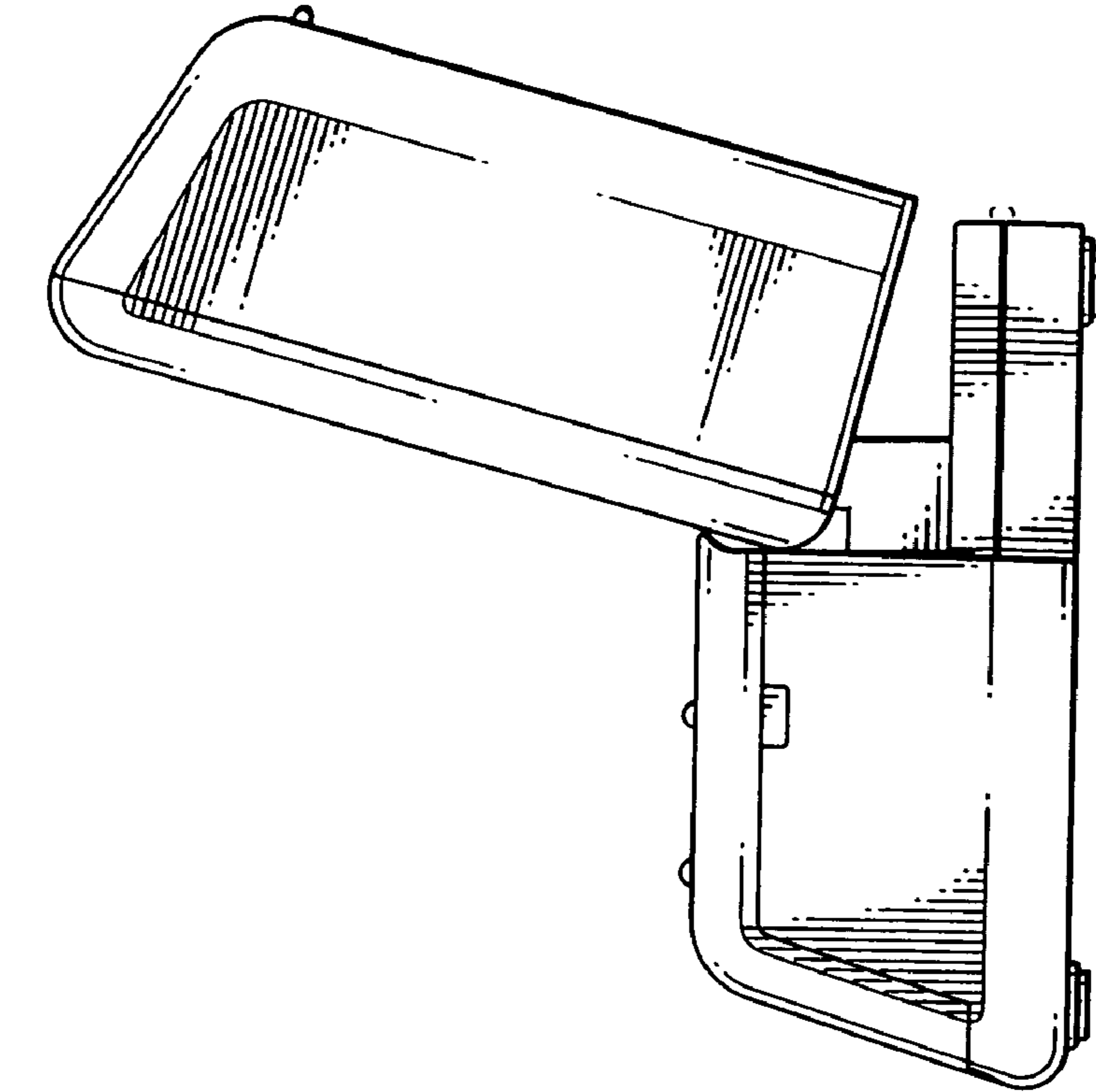


FIG. 6

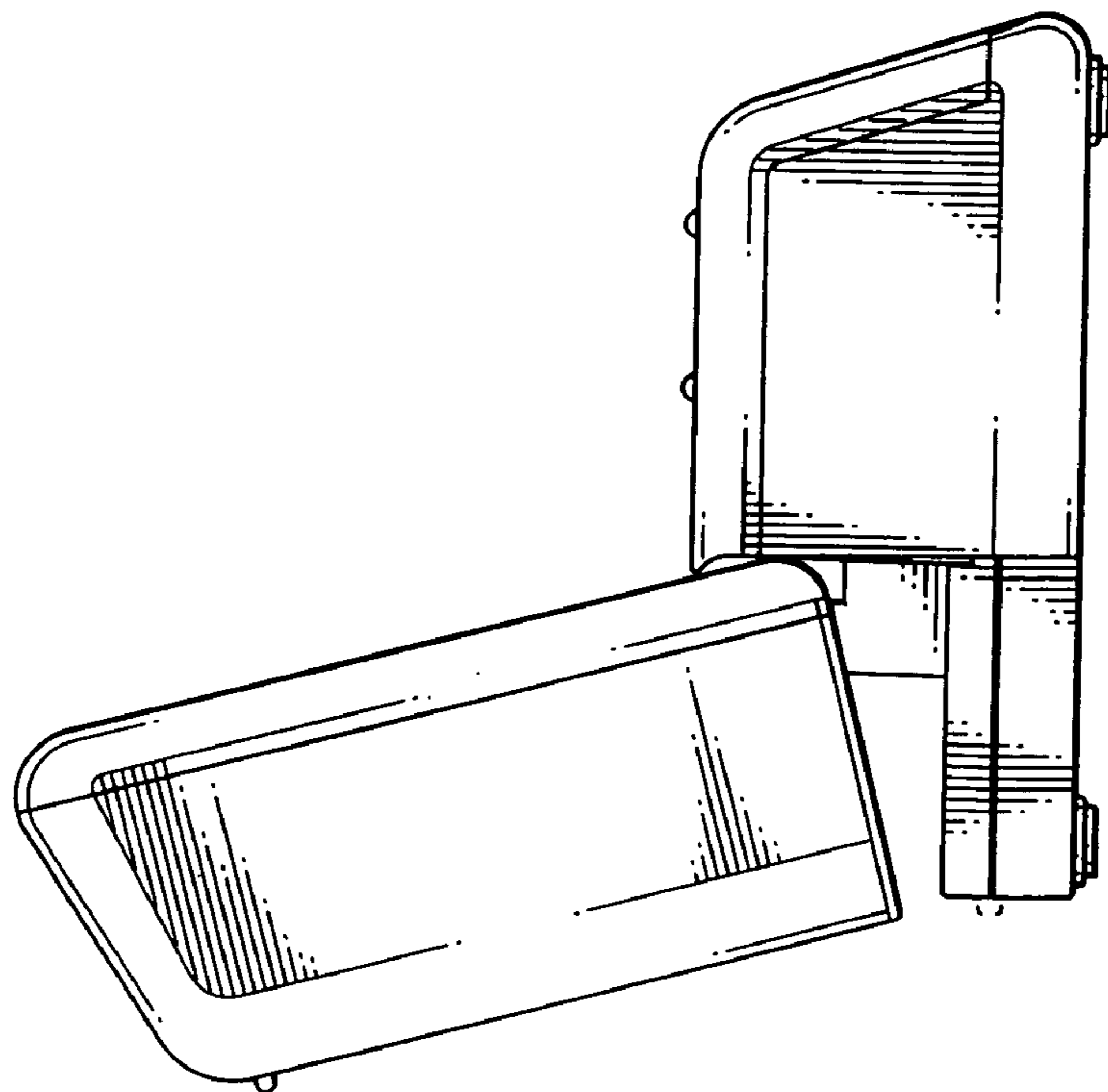


FIG. 7

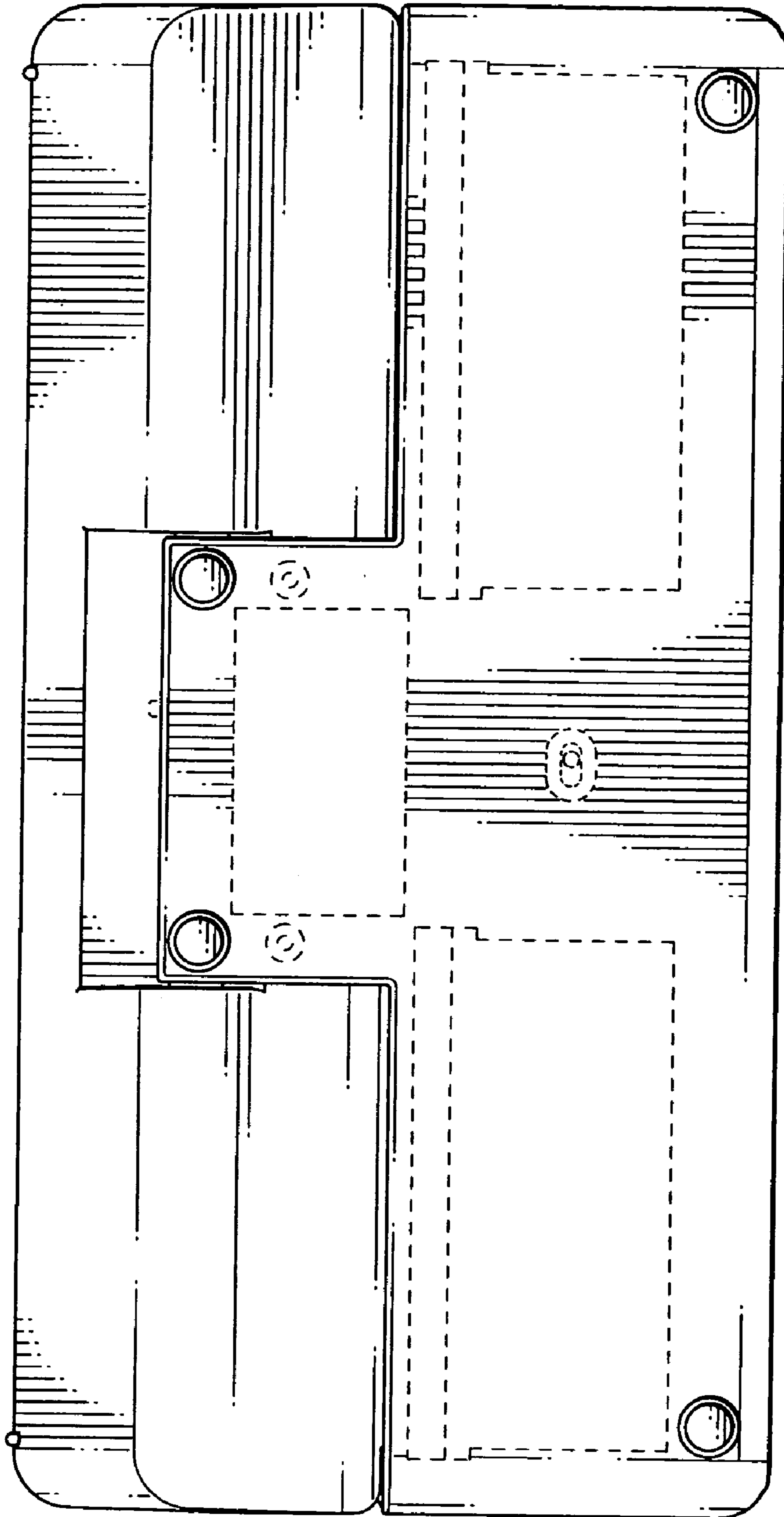


FIG. 8

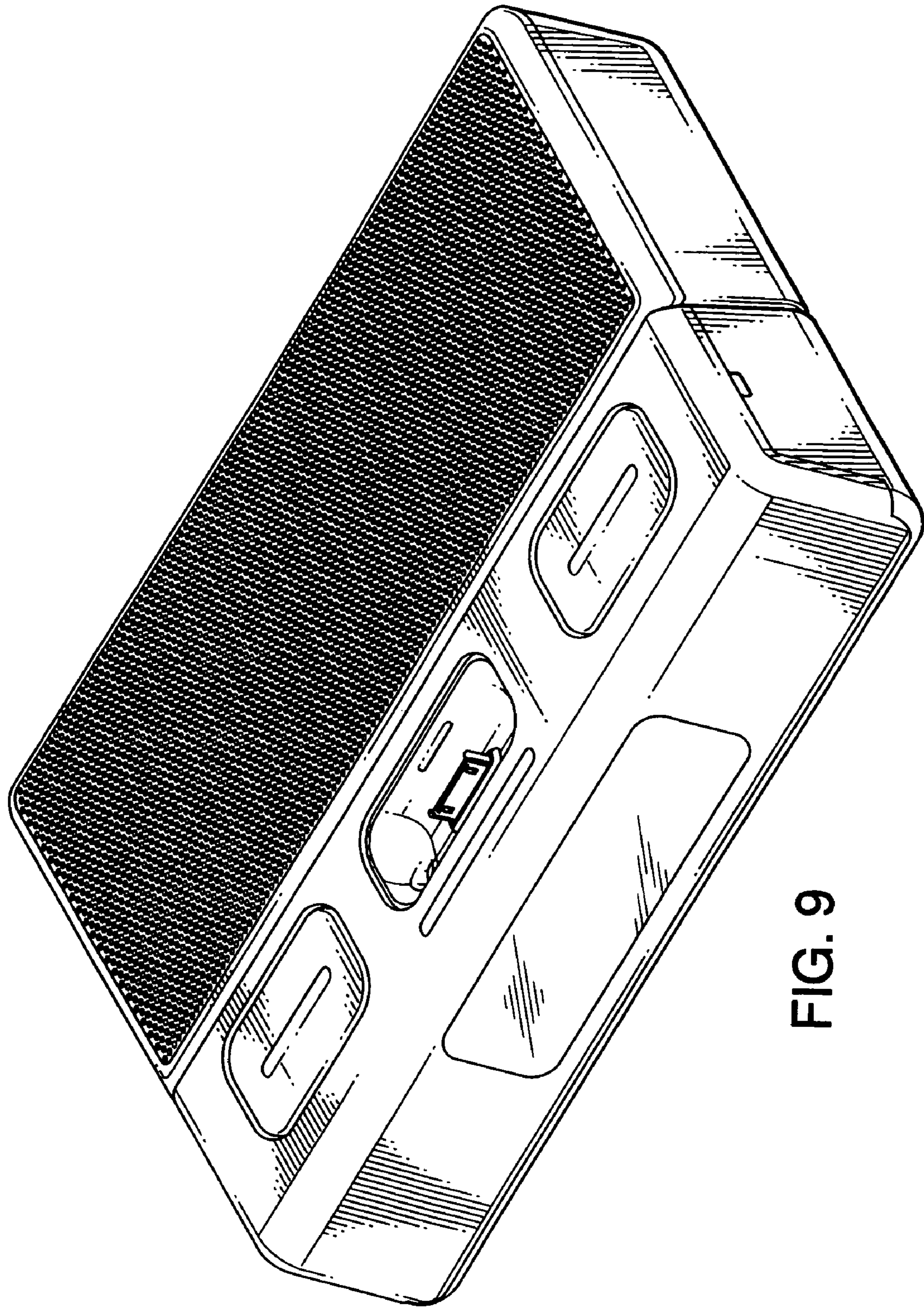


FIG. 9

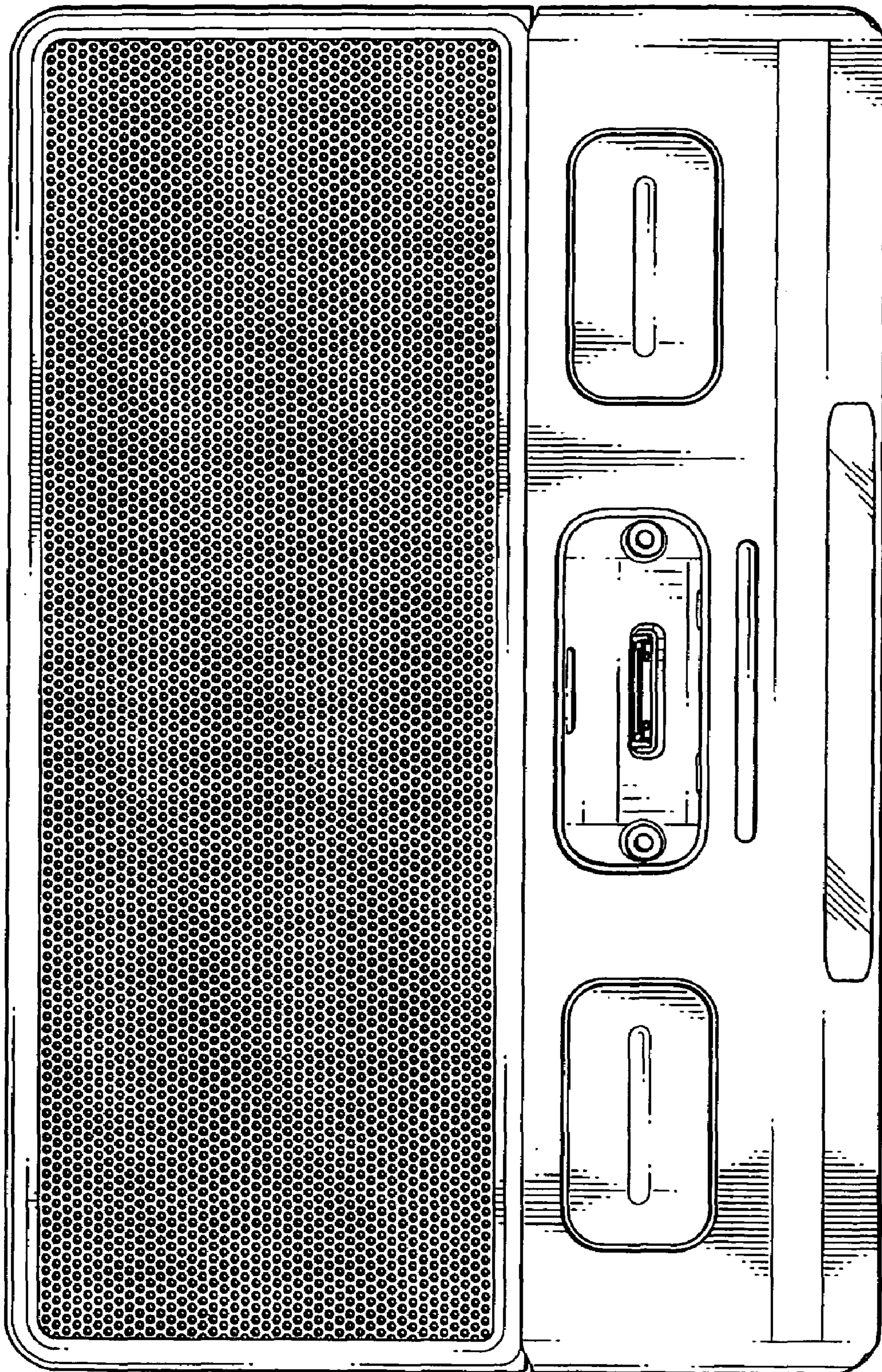


FIG. 10

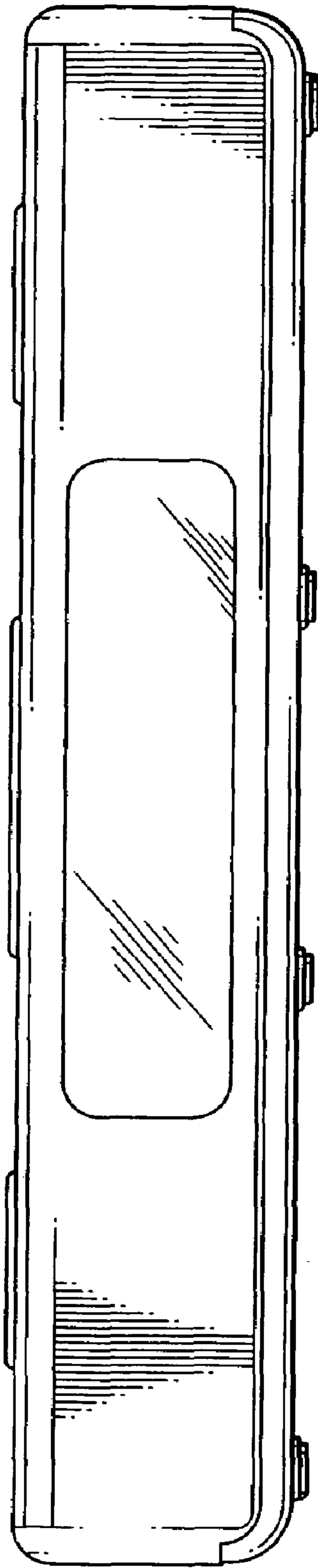


FIG. 11

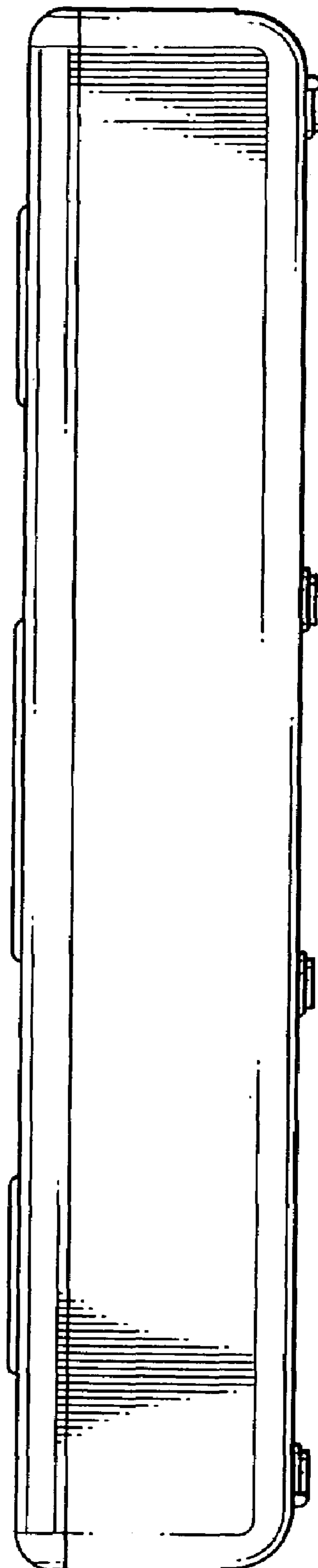


FIG. 12

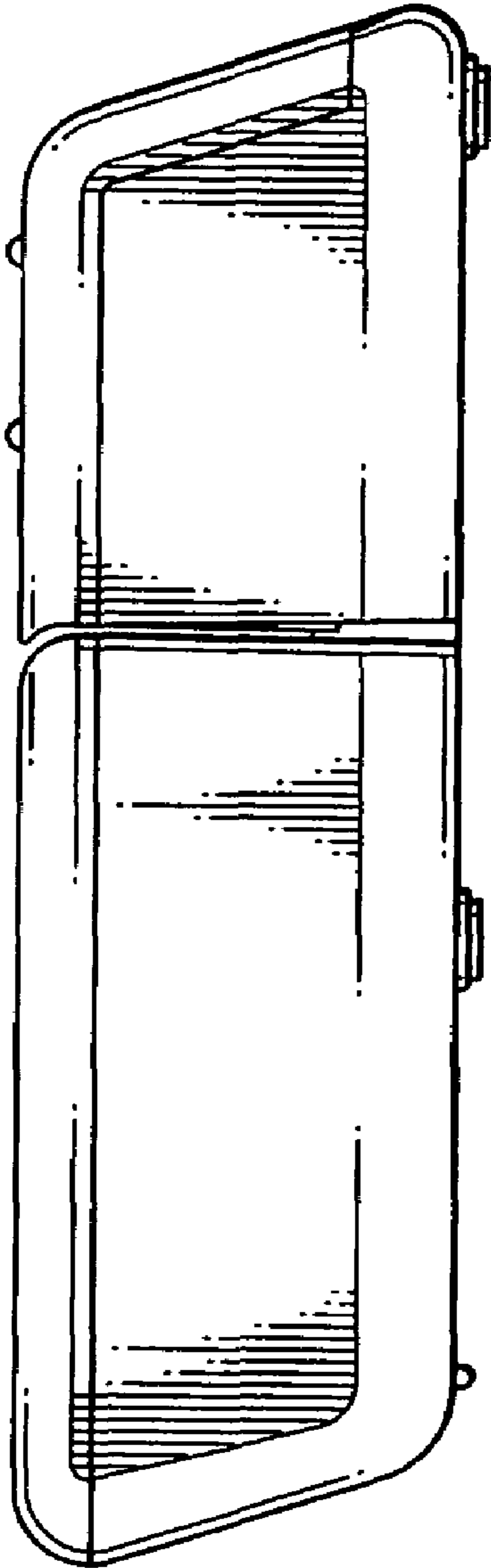


FIG. 13

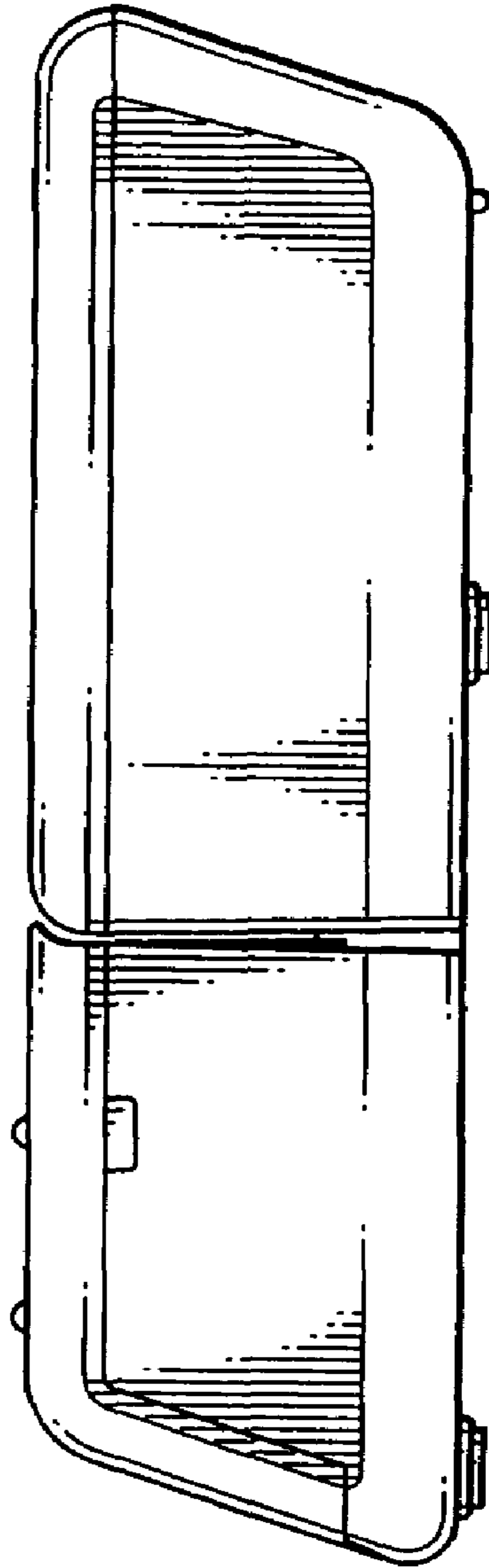


FIG. 14

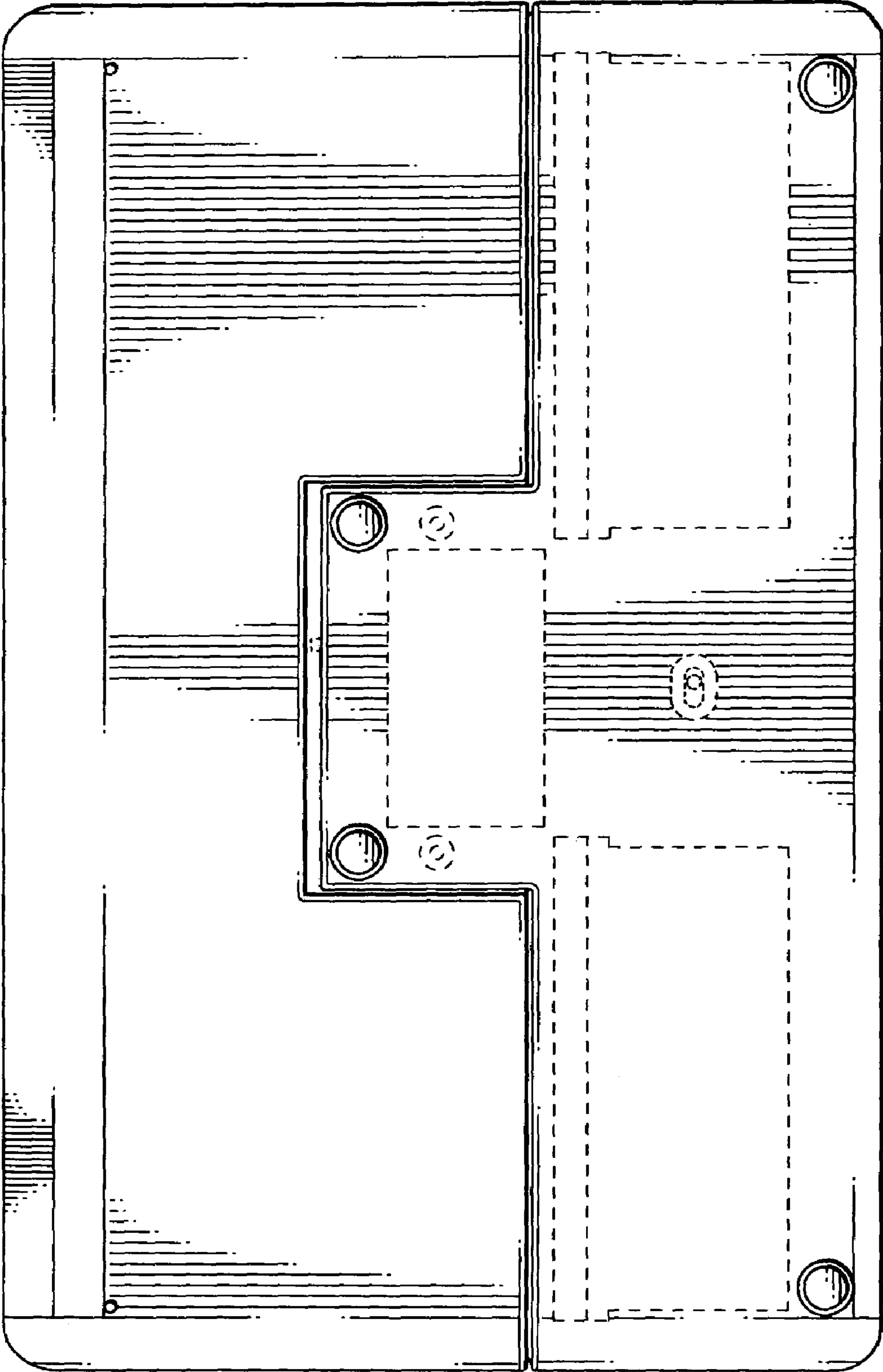


FIG. 15