

US00D560207S

(12) **United States Design Patent**  
**Hawkins et al.**

(10) **Patent No.:** **US D560,207 S**  
(45) **Date of Patent:** **\*\* Jan. 22, 2008**

(54) **LOUDSPEAKER ARRAY**

(75) Inventors: **Bernie Hawkins**, Long Beach, CA  
(US); **Steve Tamasi**, Huntington Beach,  
CA (US); **Luis F. Esparza**, Chino Hills,  
CA (US)

(73) Assignee: **QSC Audio Products, Inc.**, Costa  
Mesa, CA (US)

(\*\*) Term: **14 Years**

(21) Appl. No.: **29/251,905**

(22) Filed: **Jan. 13, 2006**

(51) **LOC (8) Cl.** ..... **14-01**

(52) **U.S. Cl.** ..... **D14/214**

(58) **Field of Classification Search** ..... D14/204,  
D14/209-217; 211/118, 175, 182; 181/143-144,  
181/147-148, 150, 157, 198-199, 151, 153;  
381/300-302, 306, 333, 345, 361-364, 386-388,  
381/332, 336; 29/434; 248/323  
See application file for complete search history.

(56) **References Cited**

**U.S. PATENT DOCUMENTS**

D222,476 S \* 10/1971 Yoshihiko ..... D14/210  
5,000,286 A \* 3/1991 Crawford et al. .... 181/145  
D369,356 S \* 4/1996 Olson ..... D14/214  
D394,263 S \* 5/1998 Fischer ..... D14/214

5,749,137 A \* 5/1998 Martin ..... 29/434  
5,819,959 A \* 10/1998 Martin ..... 211/118  
5,996,728 A \* 12/1999 Stark ..... 181/144  
D500,306 S \* 12/2004 Noselli ..... D14/217  
D531,986 S \* 11/2006 Azumi et al. .... D14/214

\* cited by examiner

*Primary Examiner*—Nanda Bondade

(74) *Attorney, Agent, or Firm*—Perkins Coie LLP

(57) **CLAIM**

The ornamental design for the loudspeaker array, as shown and described.

**DESCRIPTION**

FIG. 1 is a perspective view of a loudspeaker array showing our new design;

FIG. 2 is front elevational view thereof;

FIG. 3 is a rear elevational view thereof;

FIG. 4 is a left side elevational view thereof;

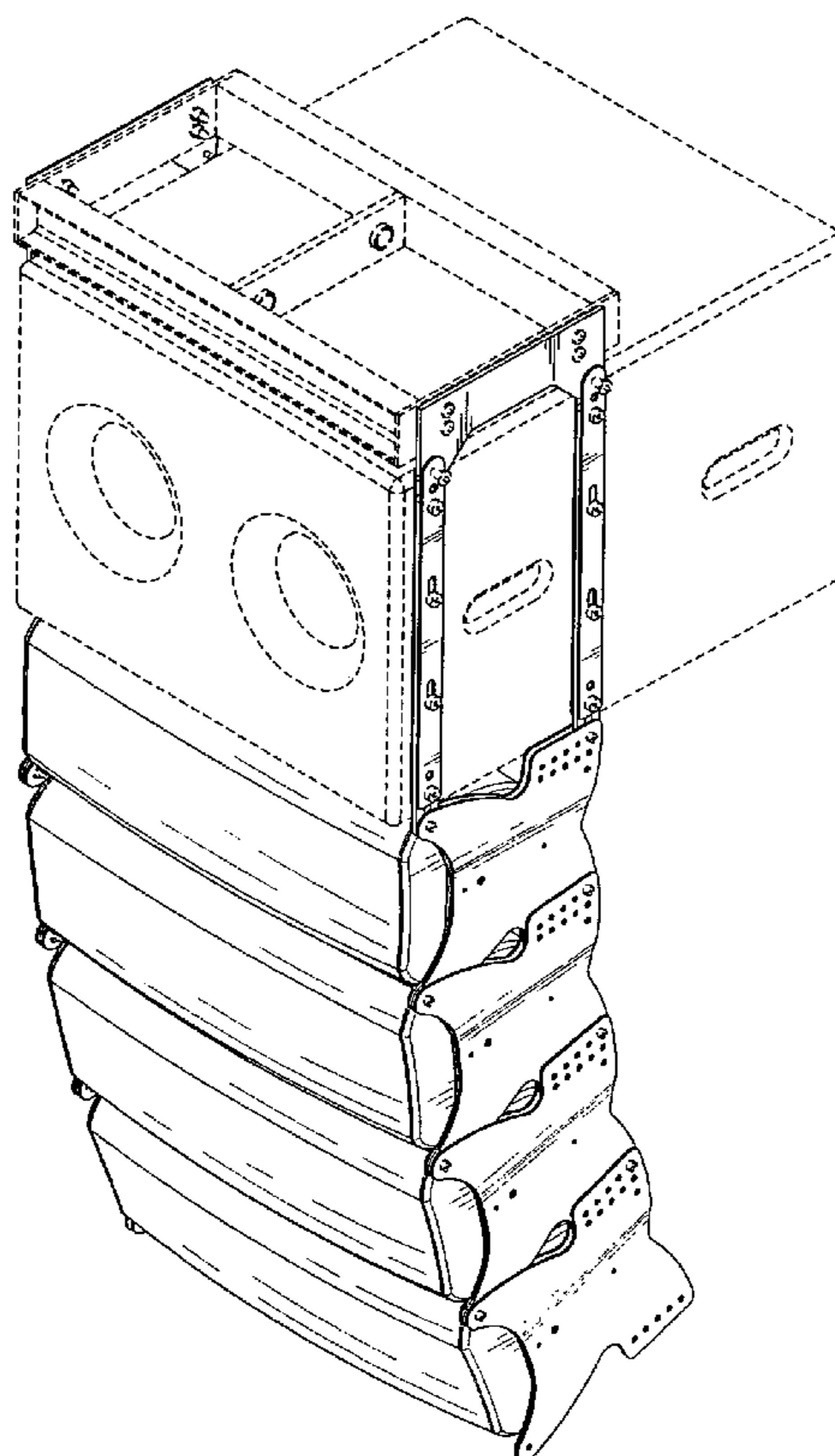
FIG. 5 is a right side elevational view thereof;

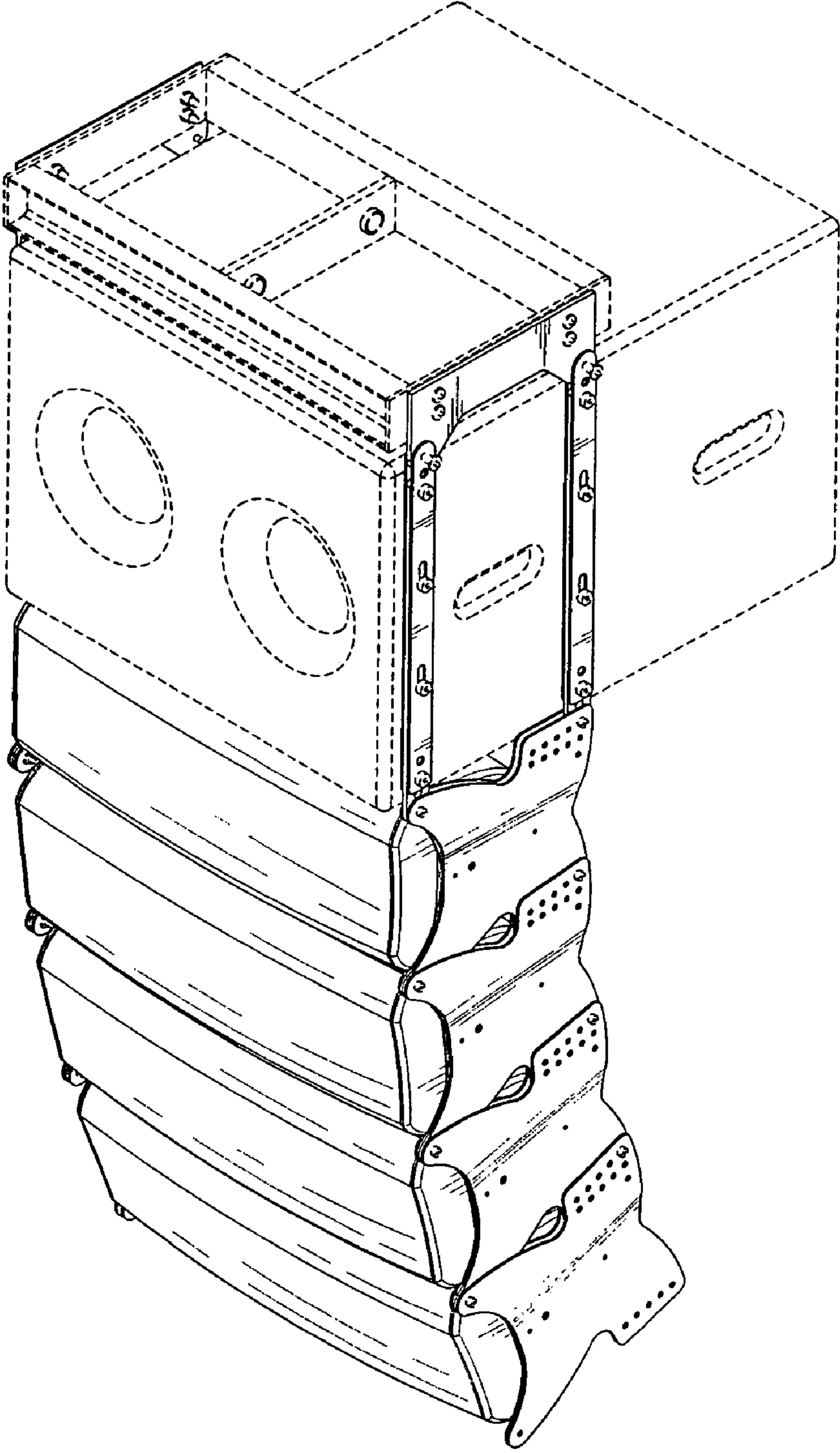
FIG. 6 is a top plan view thereof; and,

FIG. 7 is a bottom plan view thereof.

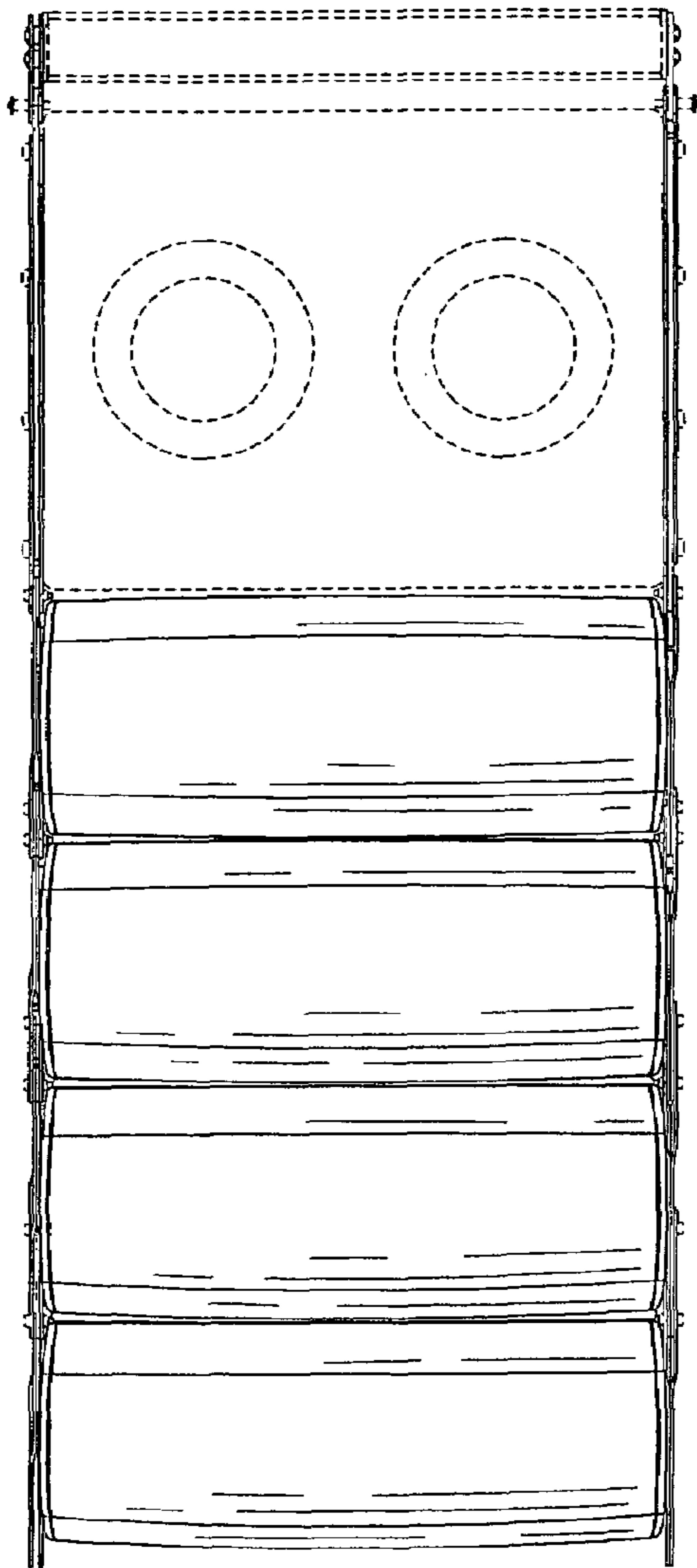
The broken line showing on the drawing disclosure is for illustrative purposes only and forms no part of the claimed design.

**1 Claim, 4 Drawing Sheets**

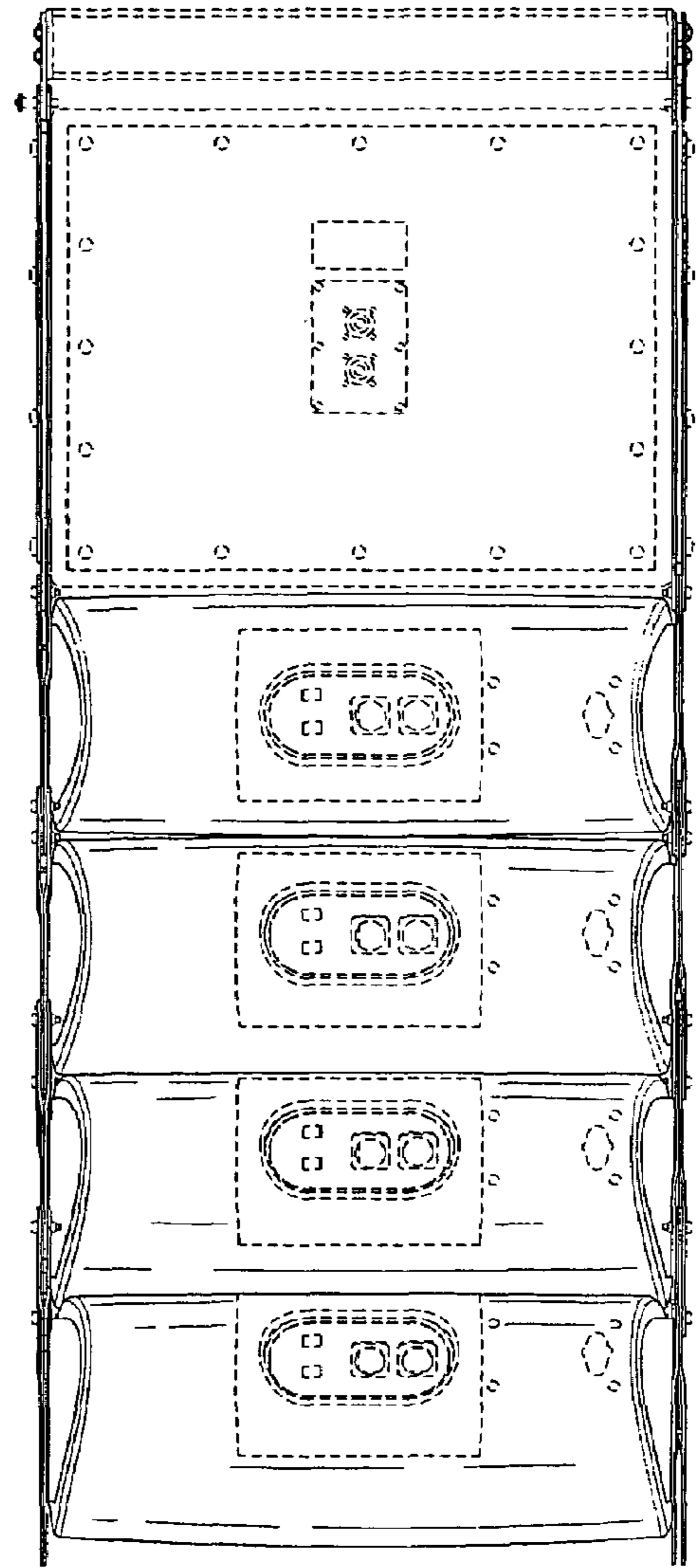




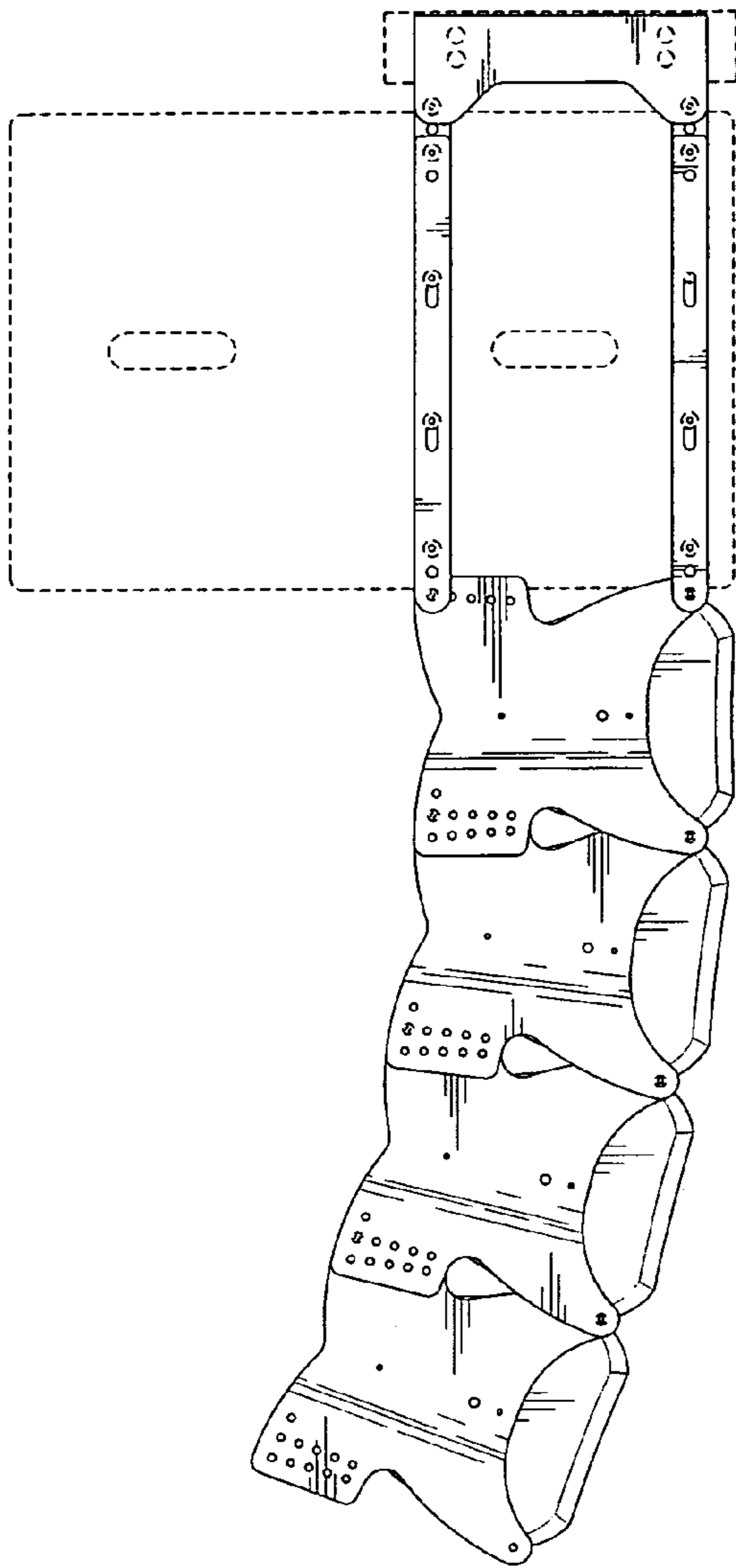
*Fig. 1*



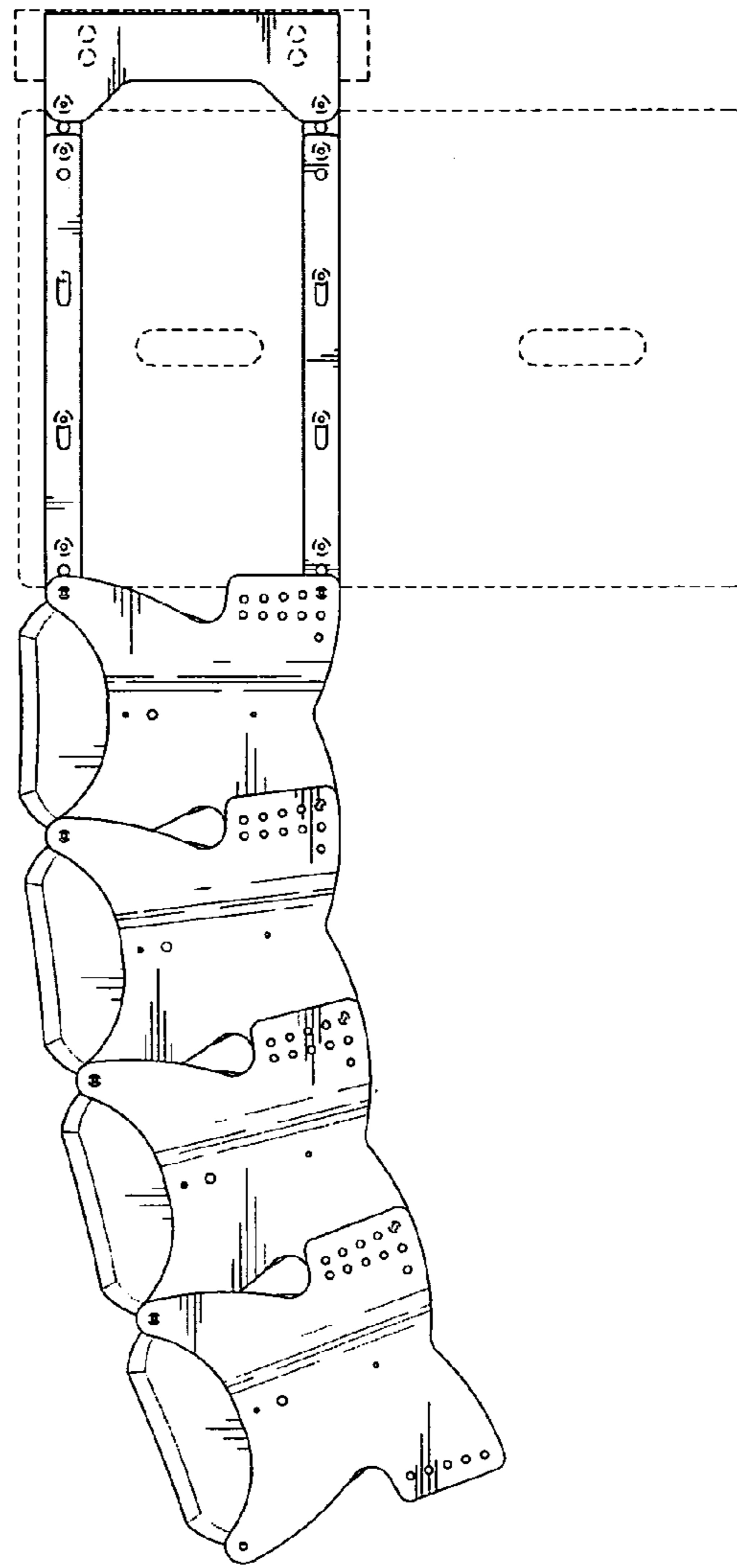
*Fig. 2*



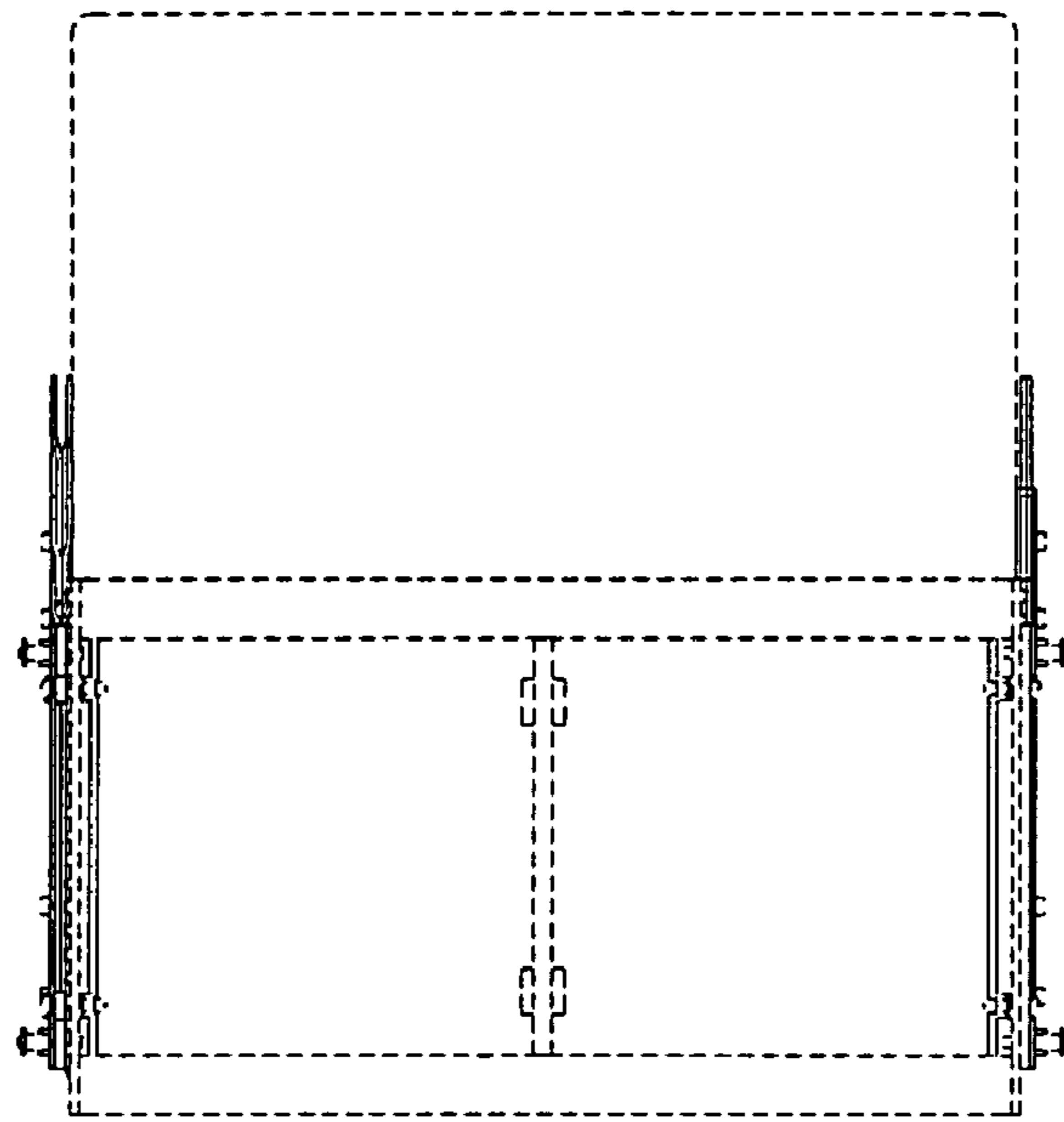
*Fig. 3*



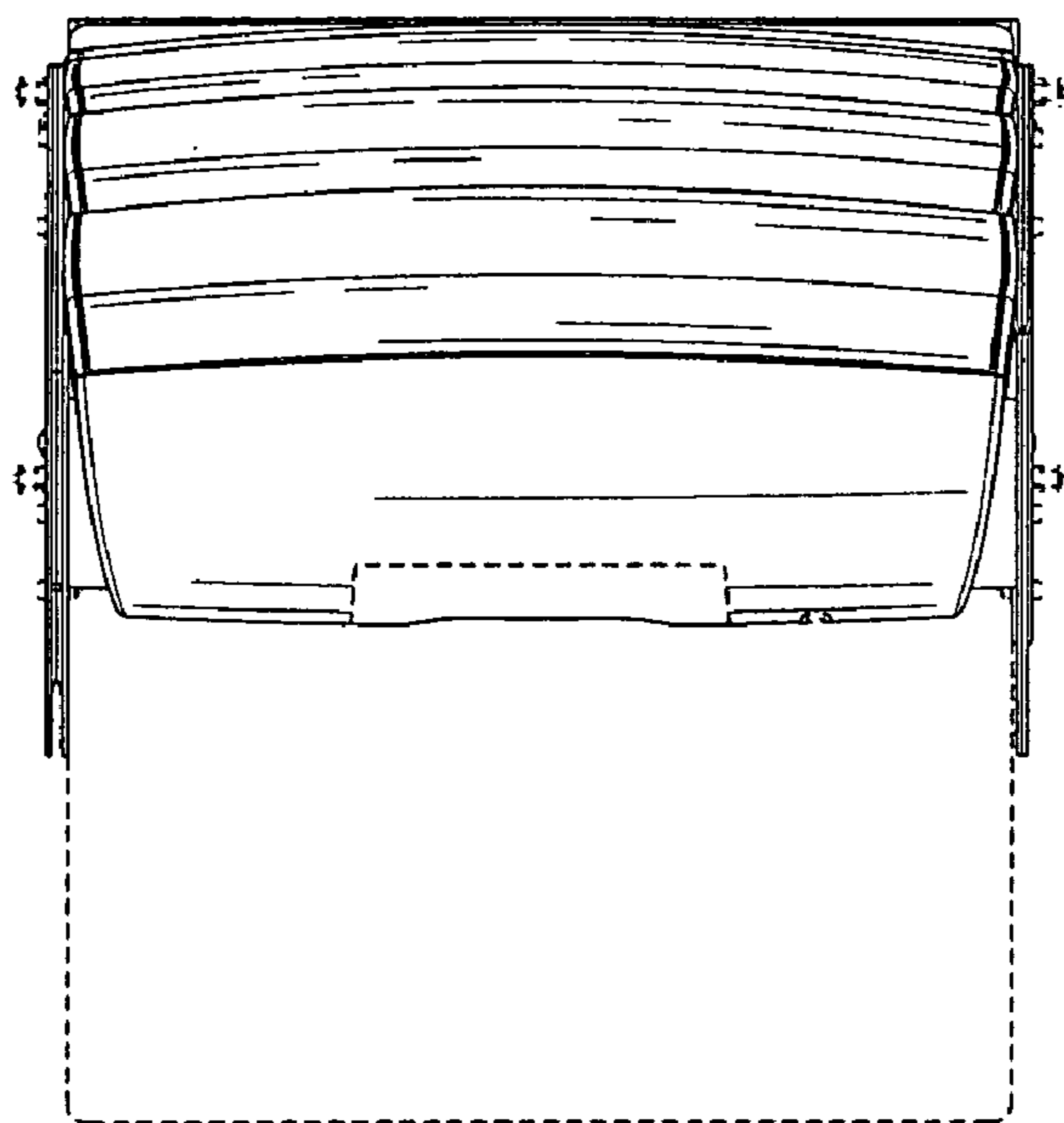
*Fig. 4*



*Fig. 5*



*Fig. 6*



*Fig. 7*