



US00D560206S

(12) **United States Design Patent**
Hermansen

(10) **Patent No.:** **US D560,206 S**
(45) **Date of Patent:** **** Jan. 22, 2008**

(54) **HEADSET**

(75) Inventor: **Anders Hermansen**, Copenhagen (DK)

(73) Assignee: **Bang & Olufsen A/S**, Struer (DK)

(**) Term: **14 Years**

(21) Appl. No.: **29/269,686**

(22) Filed: **Dec. 6, 2006**

(51) **LOC (8) Cl.** **14-01**

(52) **U.S. Cl.** **D14/206**

(58) **Field of Classification Search** D14/205–206,
D14/223, 138, 142, 143; 181/129–130, 135;
379/430; 381/370, 374, 375, 376, 378, 379,
381/380, 381; 206/6.1; D24/106; D29/112;
24/457

See application file for complete search history.

(56) **References Cited**

U.S. PATENT DOCUMENTS

720,389	A *	2/1903	Young	24/457
3,547,219	A *	12/1970	Bothos	181/135
D318,669	S *	7/1991	Nakayama	D14/205
5,062,526	A *	11/1991	Rudnick et al.	206/6.1
D331,408	S *	12/1992	Ellermeier	D14/205
D350,354	S *	9/1994	Nakamura	D14/205
D371,558	S *	7/1996	Yoshizawa	D14/205
6,123,168	A *	9/2000	Berg et al.	181/129
D454,124	S *	3/2002	Lee	D14/206
D464,038	S *	10/2002	Bebenroth	D14/223
D471,176	S *	3/2003	Suzuki	D14/205
D482,674	S *	11/2003	Rath et al.	D14/206
D502,463	S *	3/2005	Bhakta	D14/205

* cited by examiner

Primary Examiner—Paula A. Greene

(74) *Attorney, Agent, or Firm*—Buchanan Ingersoll & Rooney PC

(57) **CLAIM**

The ornamental design for a headset, as shown and described.

DESCRIPTION

FIG. 1 is a front, side perspective view of a headset showing my new design, the headset is shown separately for purposes of illustration;

FIG. 2 is a rear, side perspective view thereof;

FIG. 3 is a front elevational view thereof;

FIG. 4 is a rear elevational view thereof;

FIG. 5 is a right side elevational view thereof;

FIG. 6 is a left side elevational view thereof;

FIG. 7 is a top plan view thereof;

FIG. 8 is a bottom plan view thereof;

FIG. 9 is a front, side perspective view of the charger for the headset of FIG. 1 shown separately for purposes of illustration;

FIG. 10 is a rear, side perspective view thereof;

FIG. 11 is a front elevational view thereof;

FIG. 12 is a rear elevational view thereof;

FIG. 13 is a right side elevational view thereof;

FIG. 14 is a left side elevational view thereof;

FIG. 15 is a top plan view thereof;

FIG. 16 is a bottom plan view thereof;

FIG. 17 is a front, side perspective view of the headset of FIG. 1 shown in position in the charger of FIG. 9;

FIG. 18 is a rear, side perspective view thereof;

FIG. 19 is a front elevational view thereof;

FIG. 20 is a rear elevational view thereof;

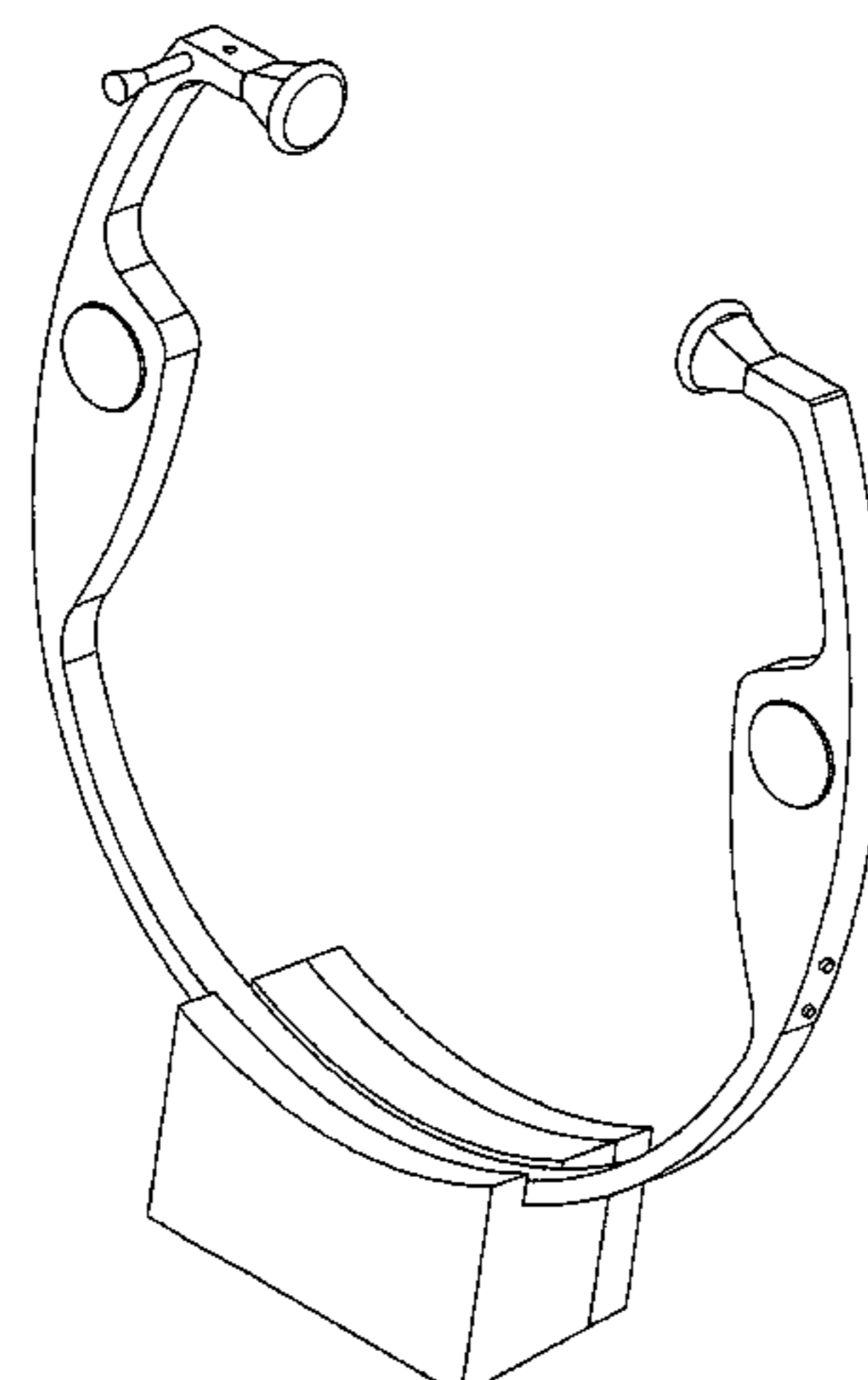
FIG. 21 is a right side elevational view thereof;

FIG. 22 is a left side elevational view thereof;

FIG. 23 is a top plan view thereof; and,

FIG. 24 is a bottom plan view thereof.

1 Claim, 24 Drawing Sheets



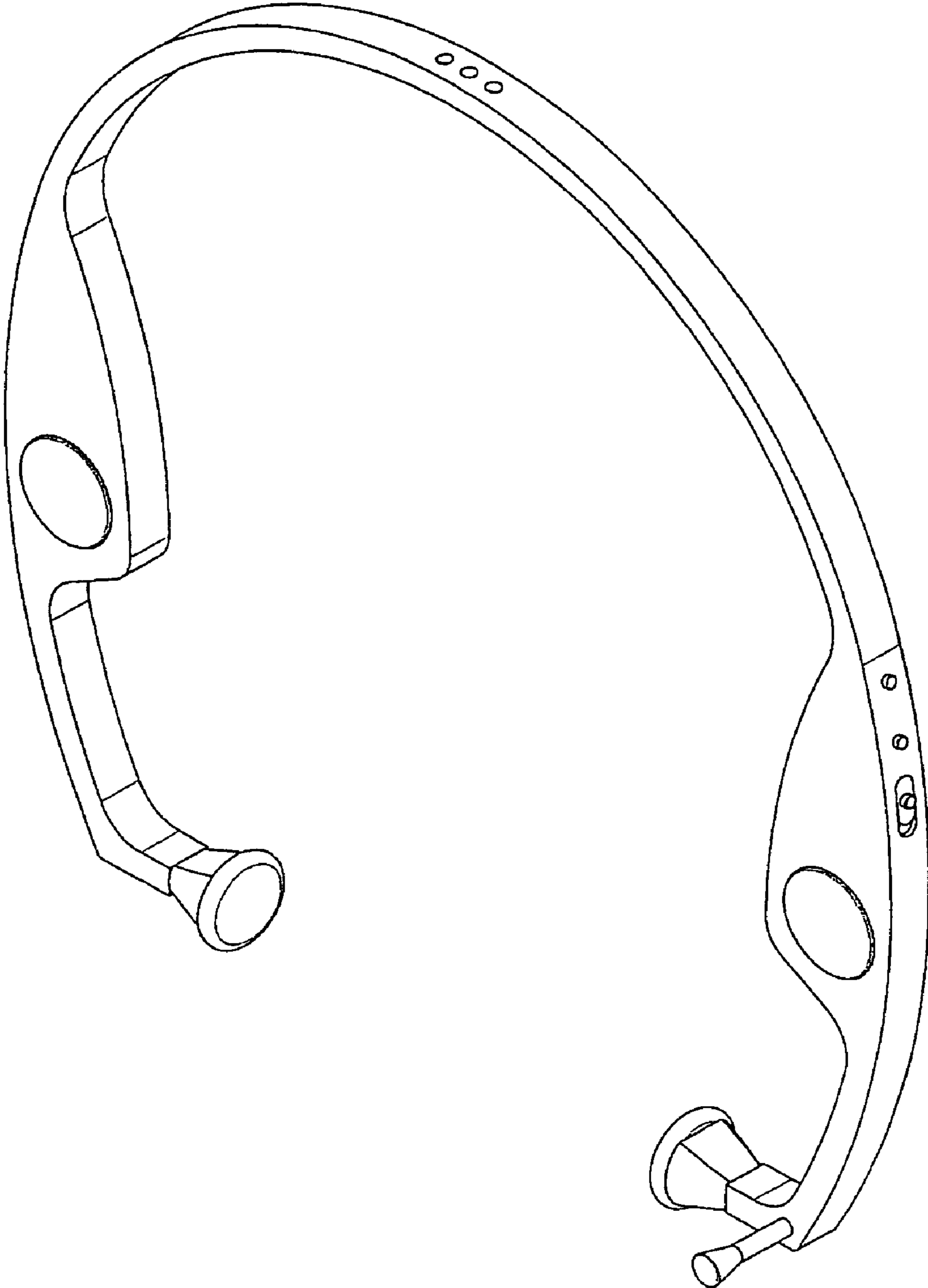


Fig. 1

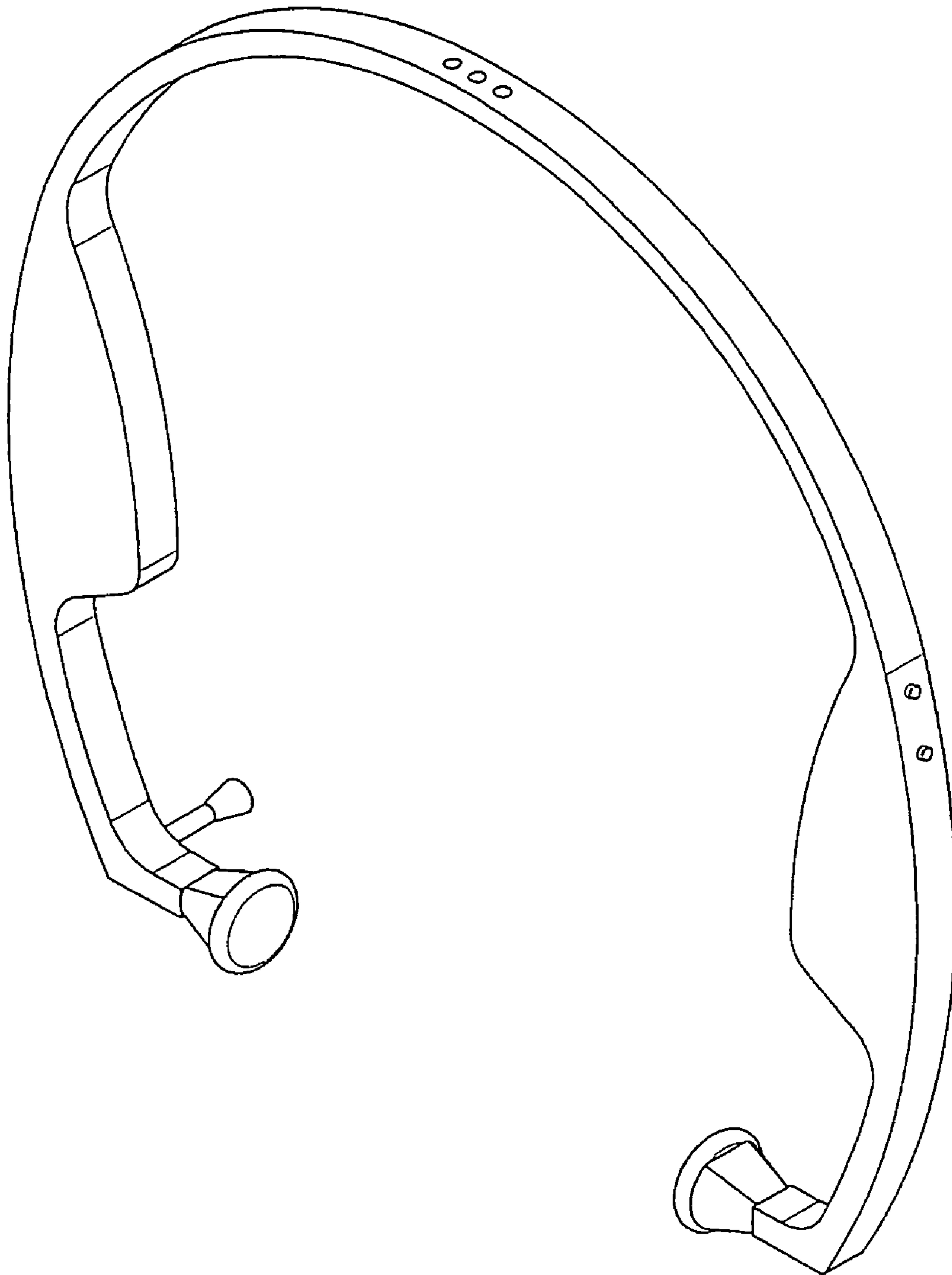


Fig. 2

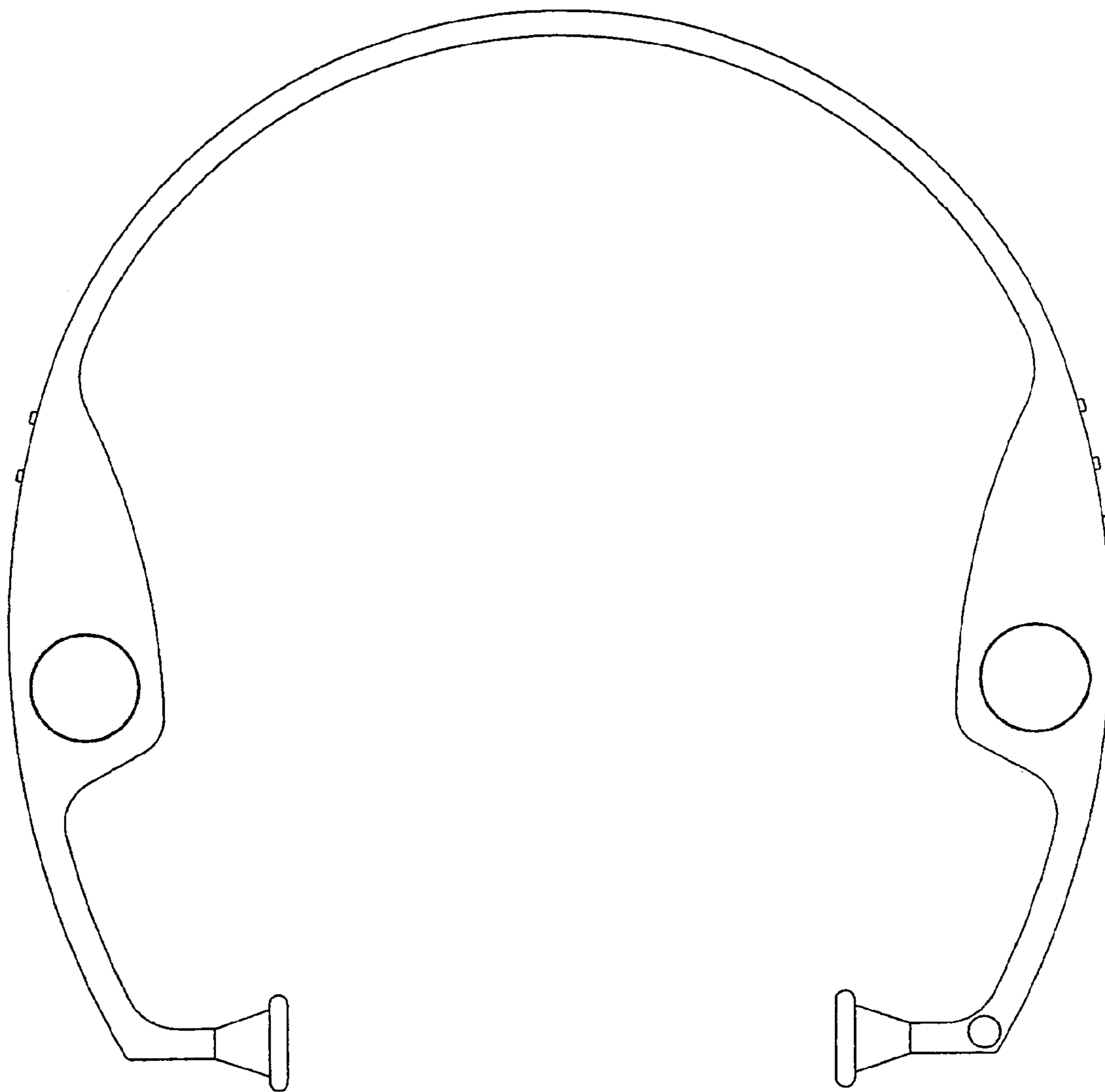


Fig. 3

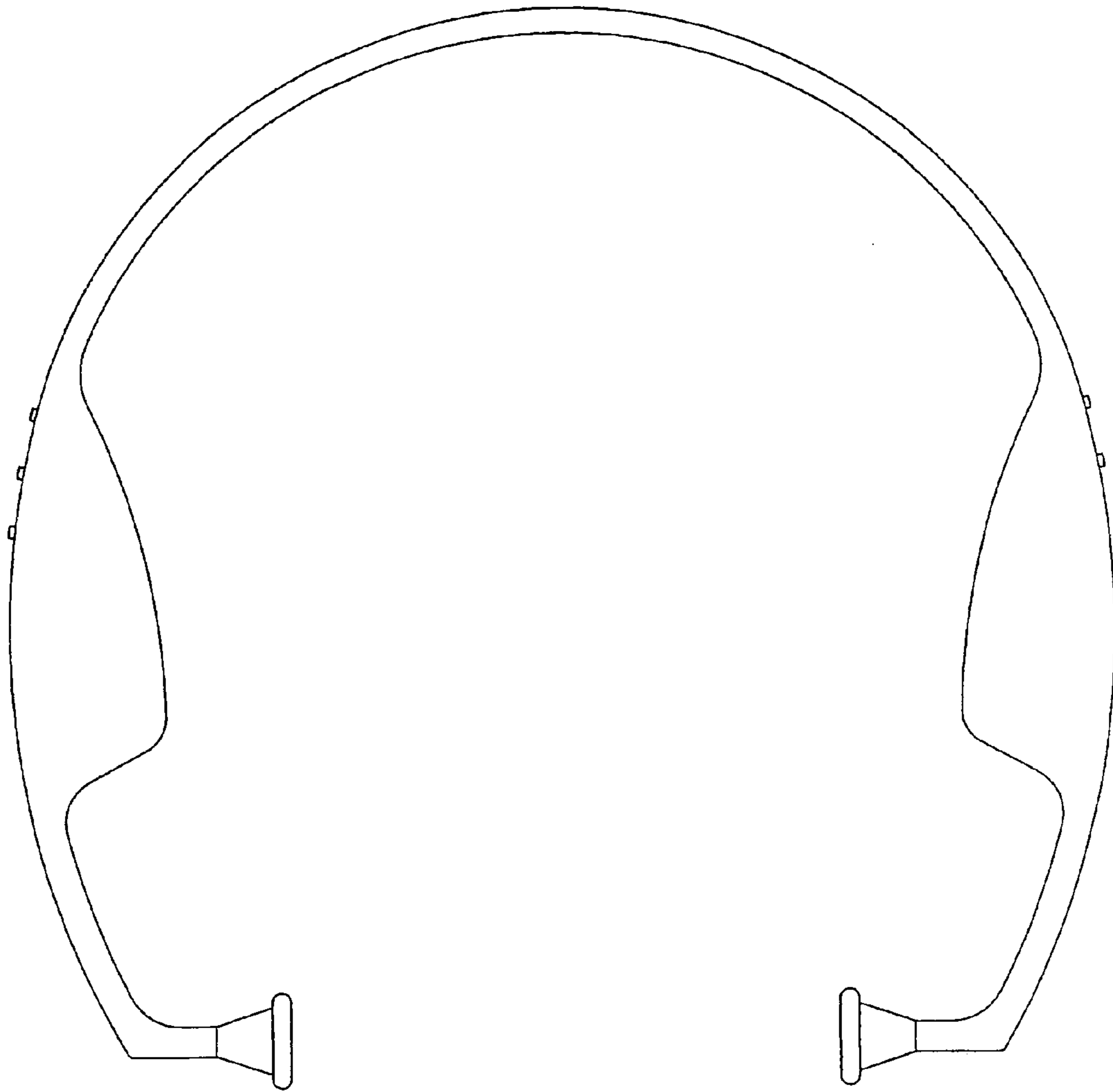


Fig. 4

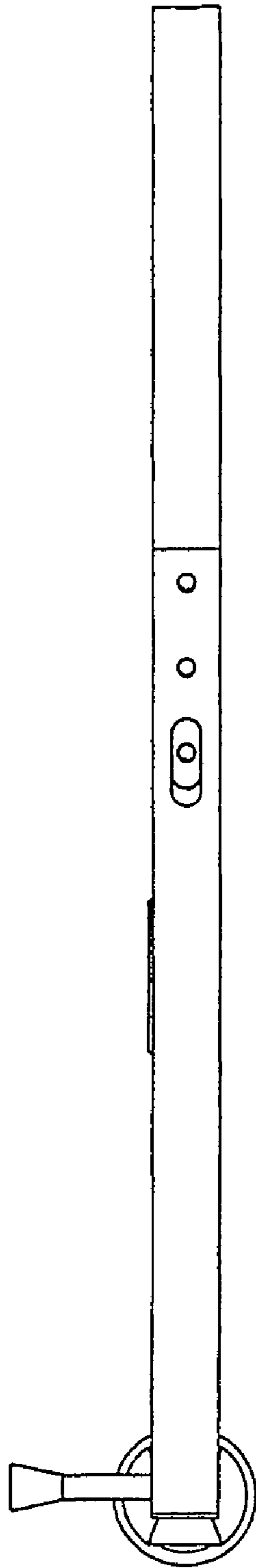


Fig. 5

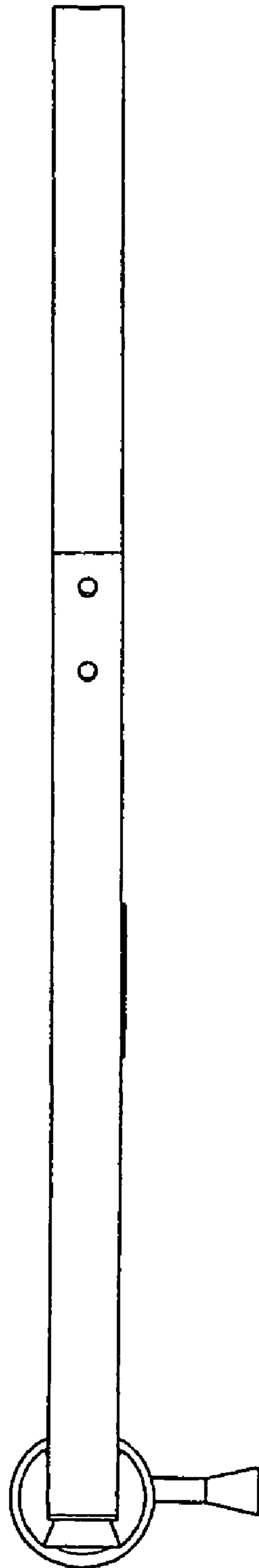


Fig. 6

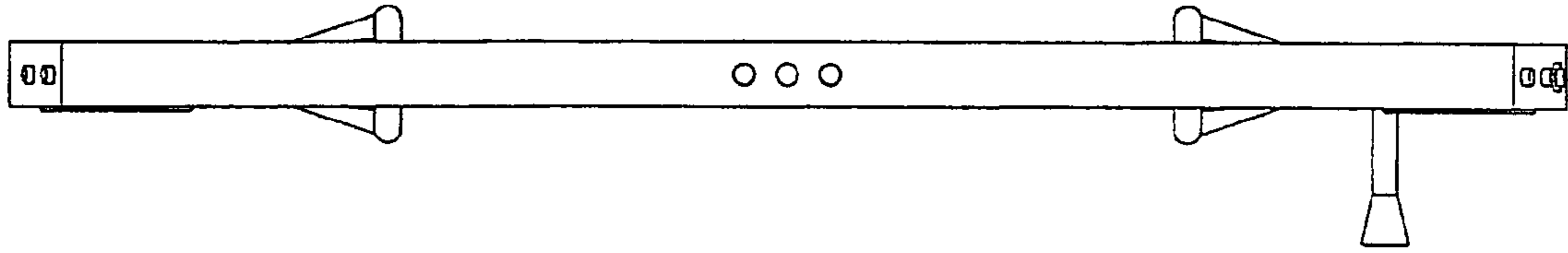


Fig. 7

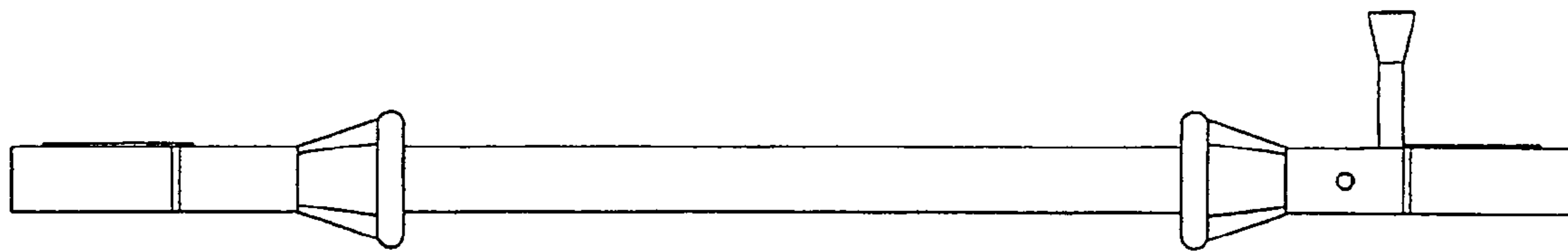


Fig. 8

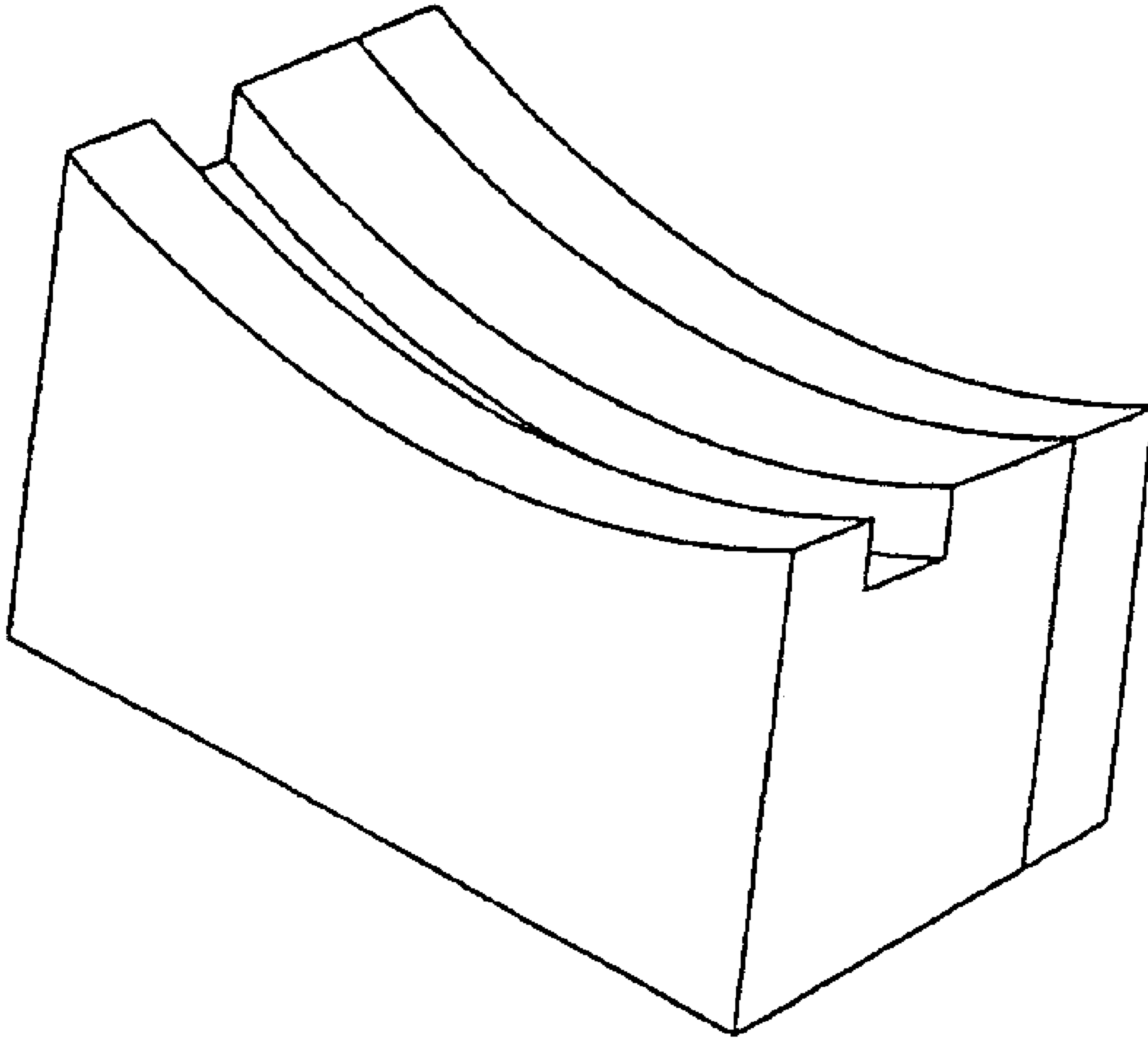


Fig. 9

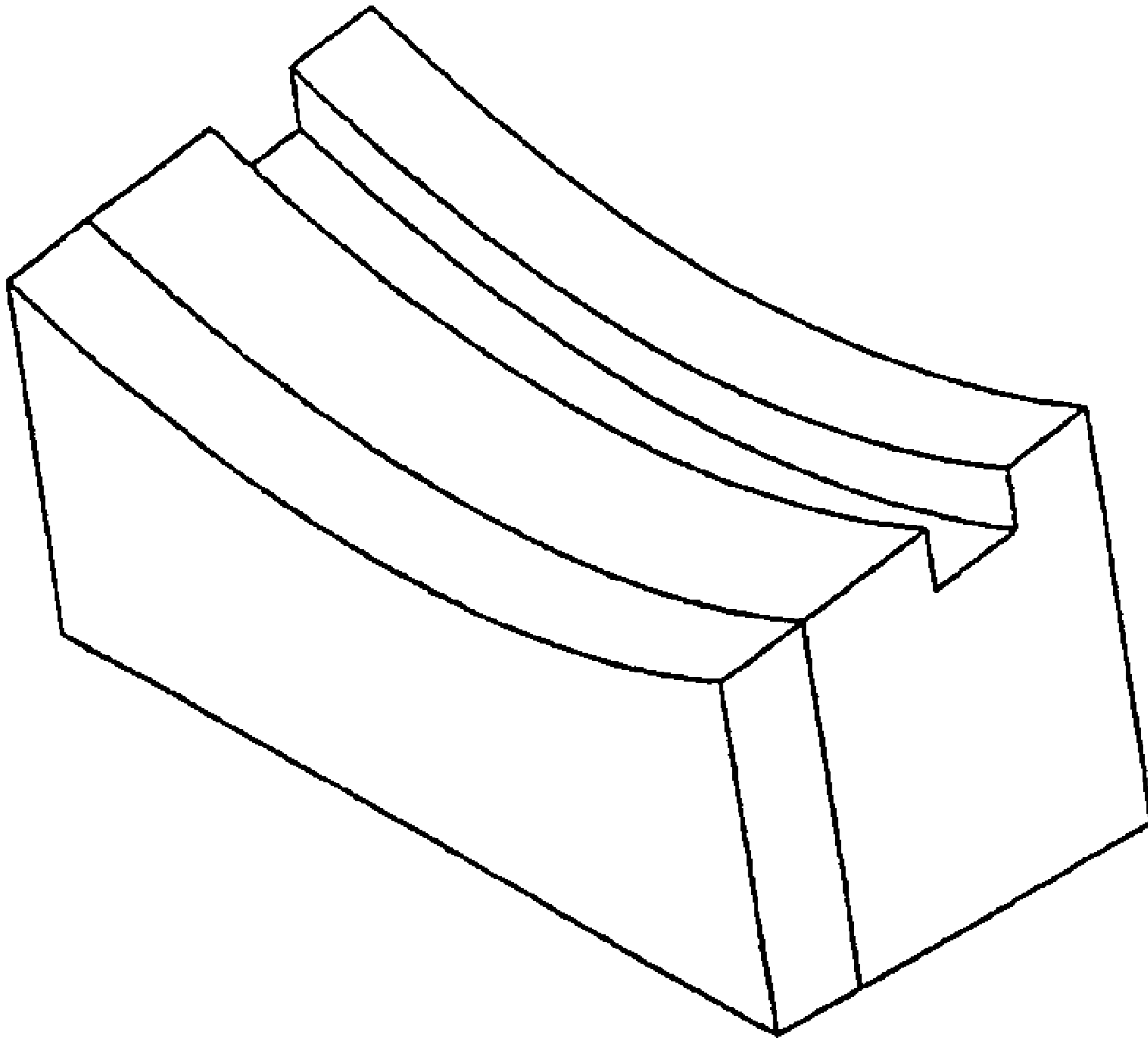


Fig. 10

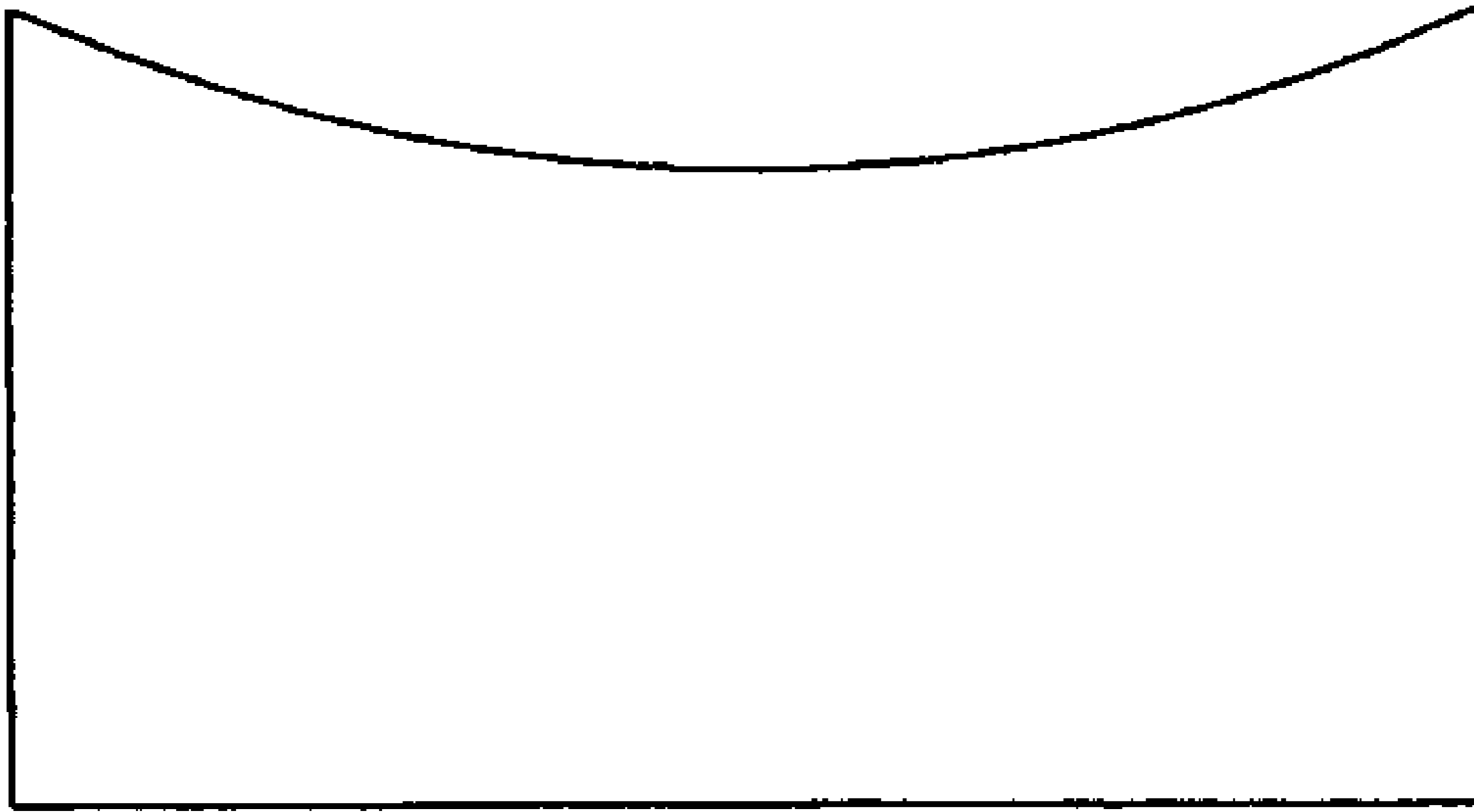


Fig. 11

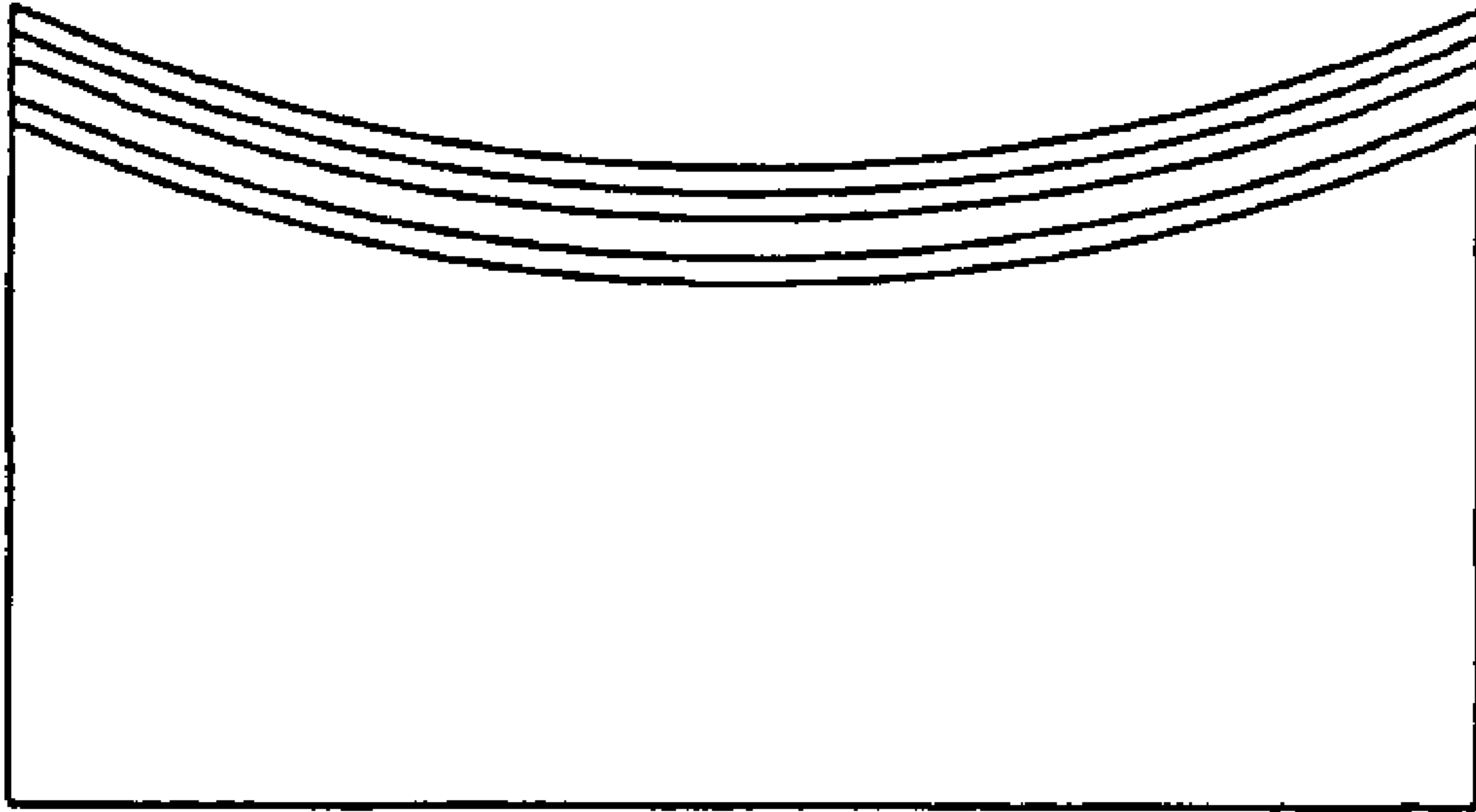


Fig. 12

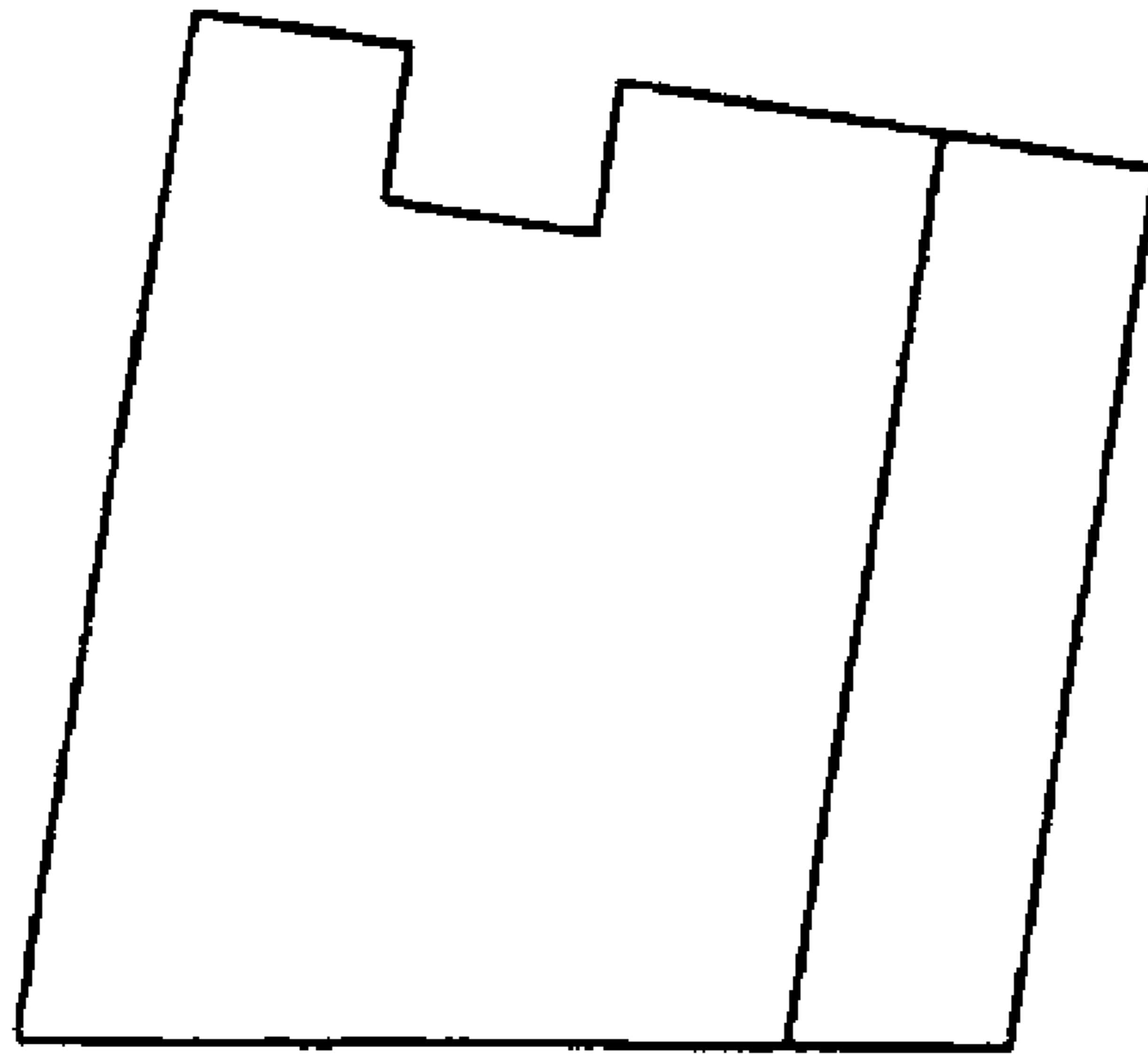


Fig. 13

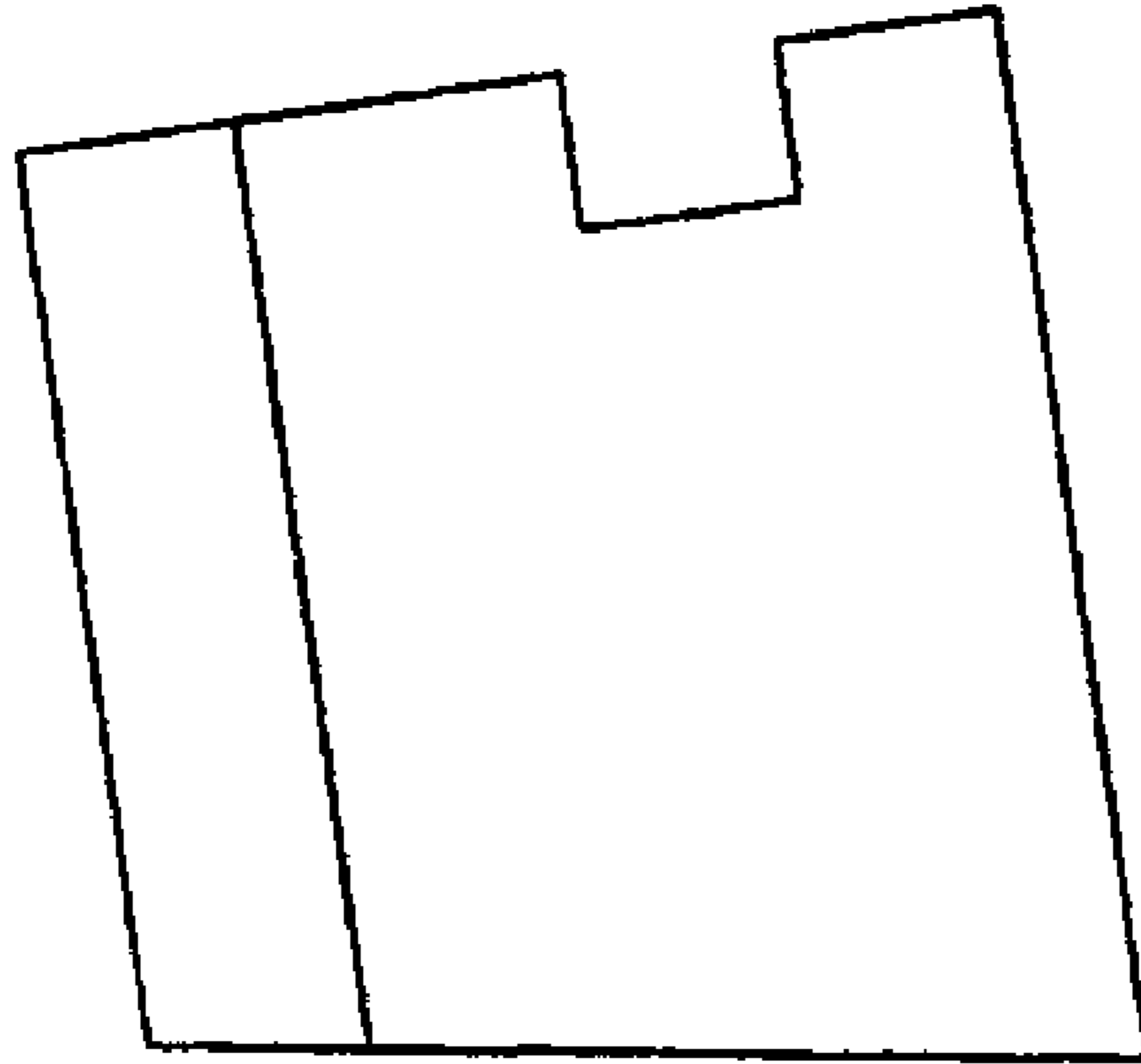


Fig. 14

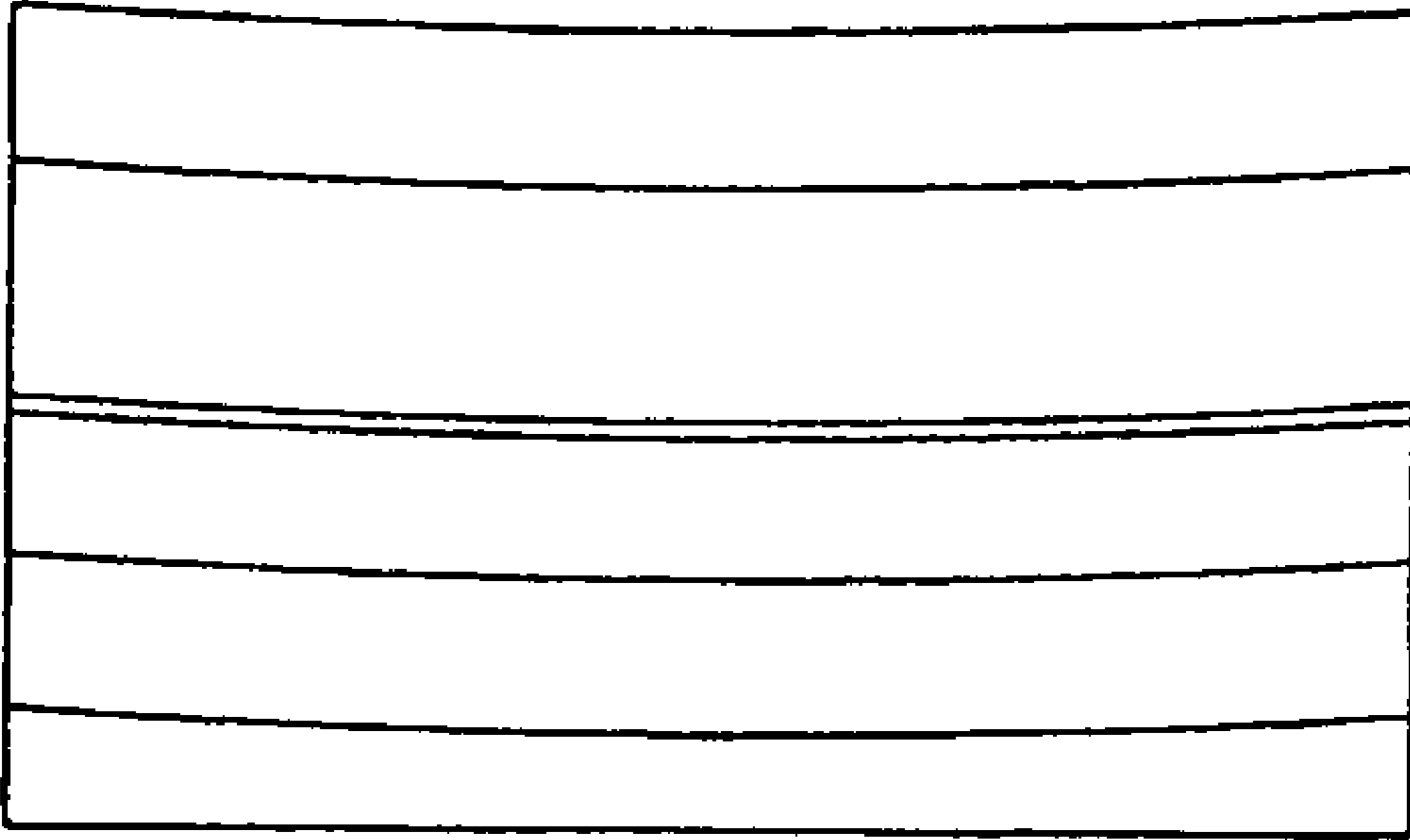


Fig. 15

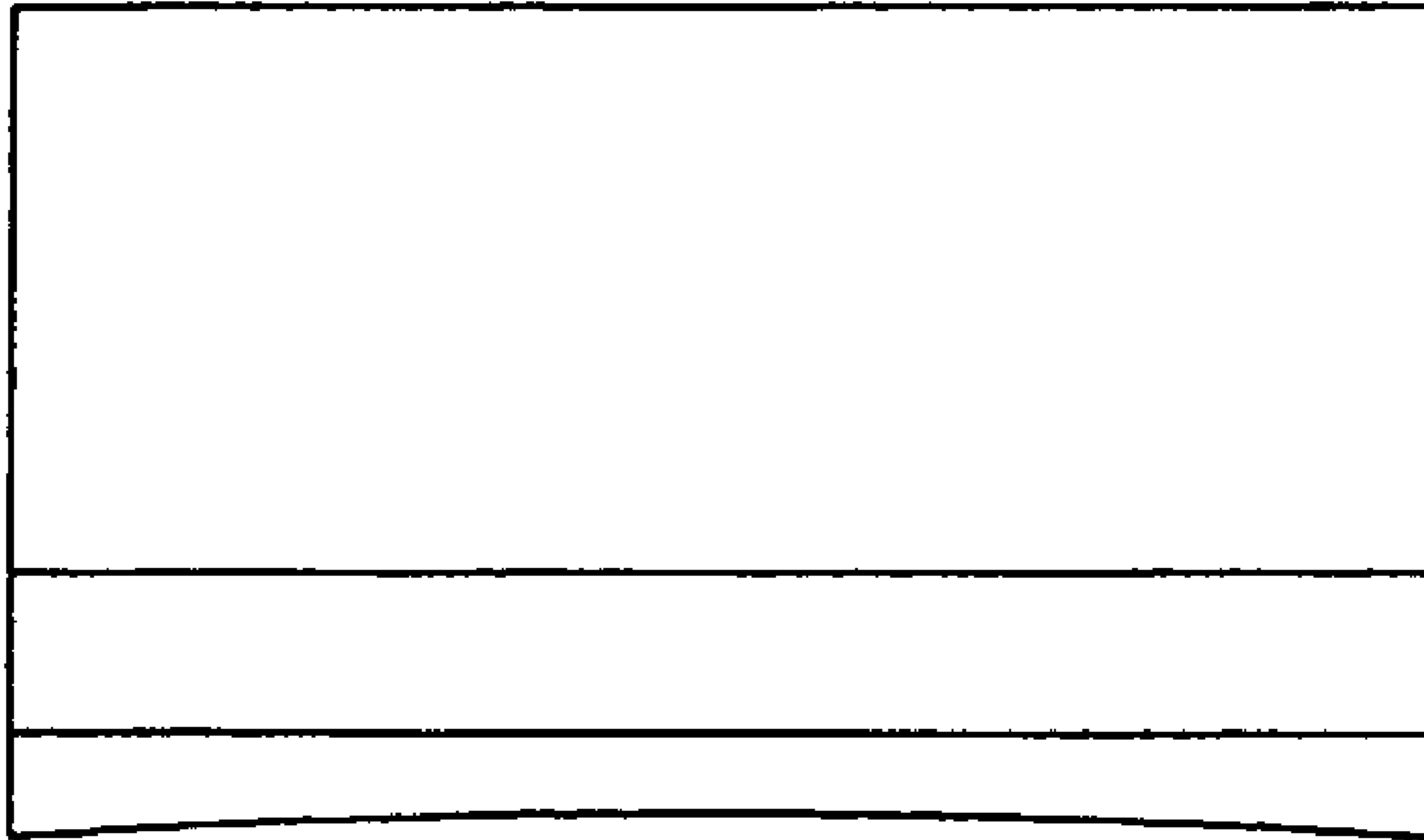


Fig. 16

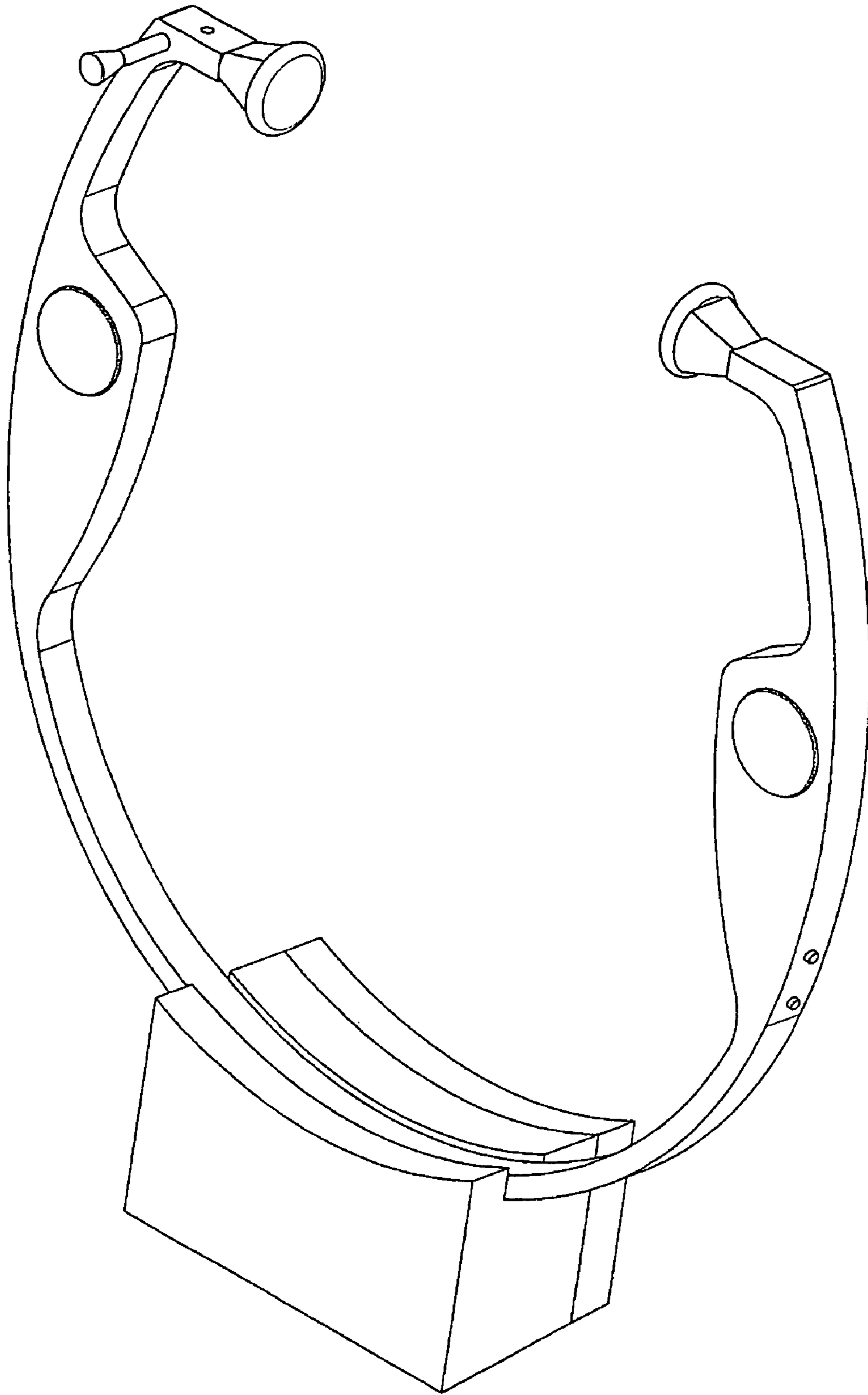


Fig. 17

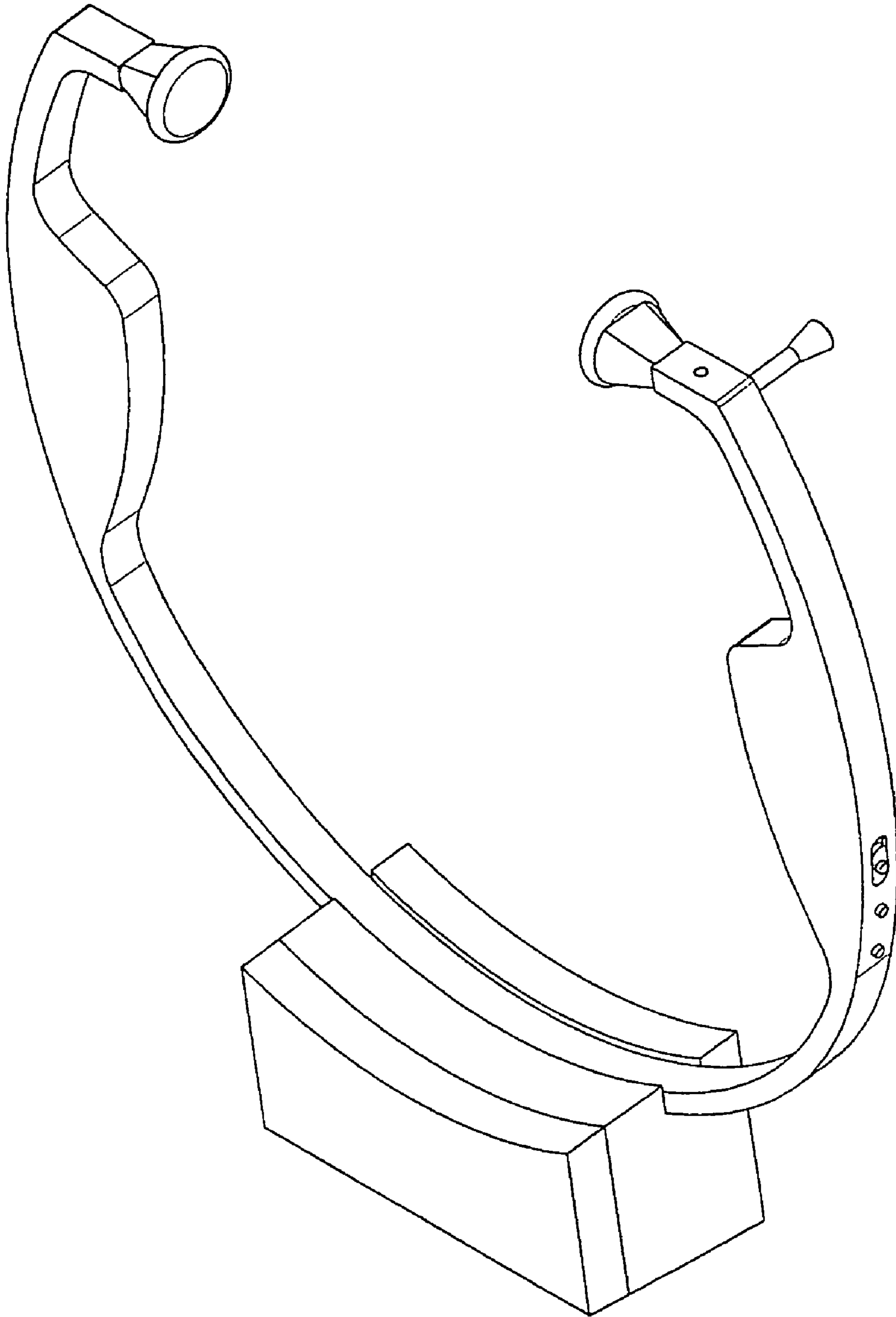


Fig. 18

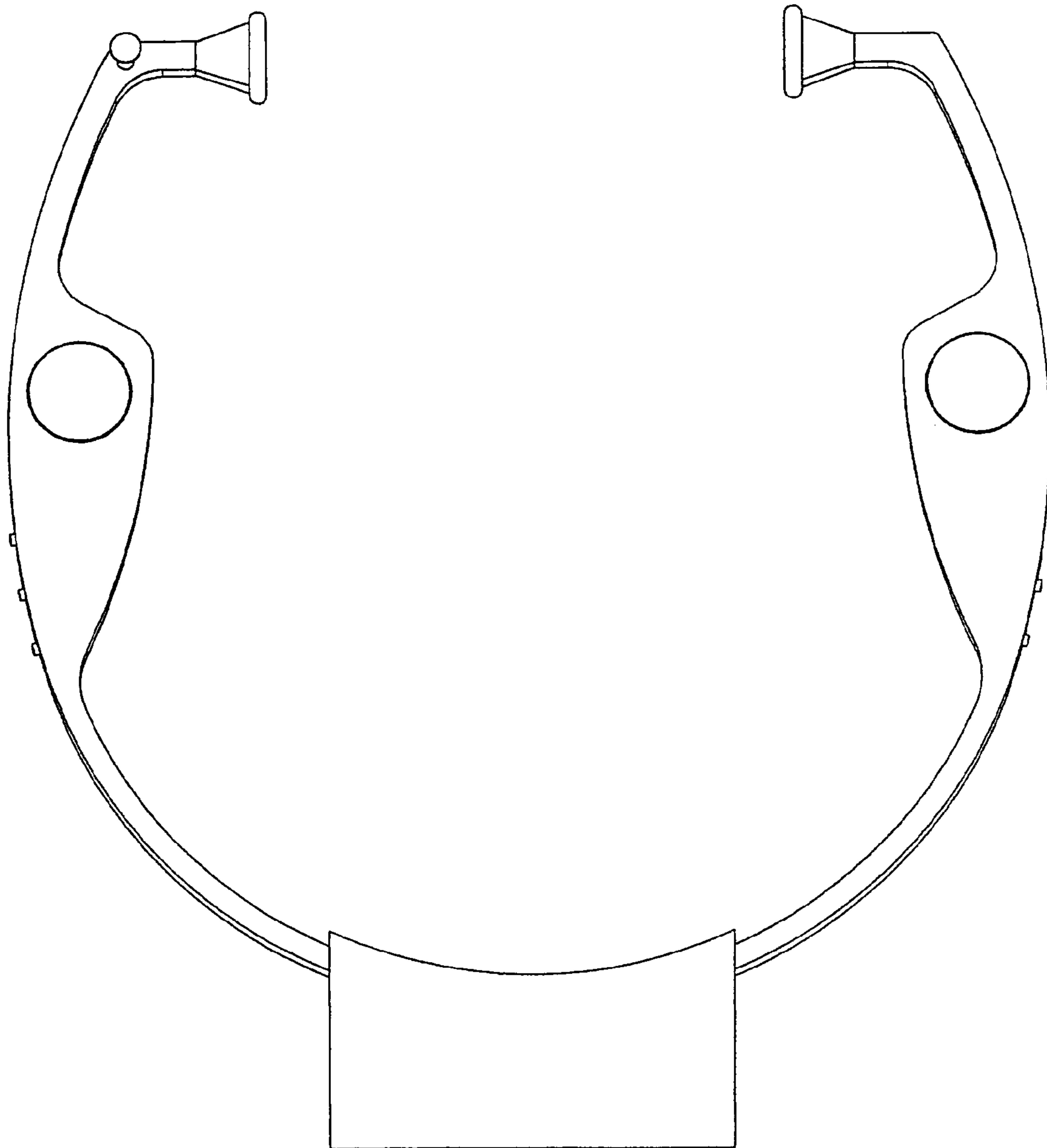


Fig. 19

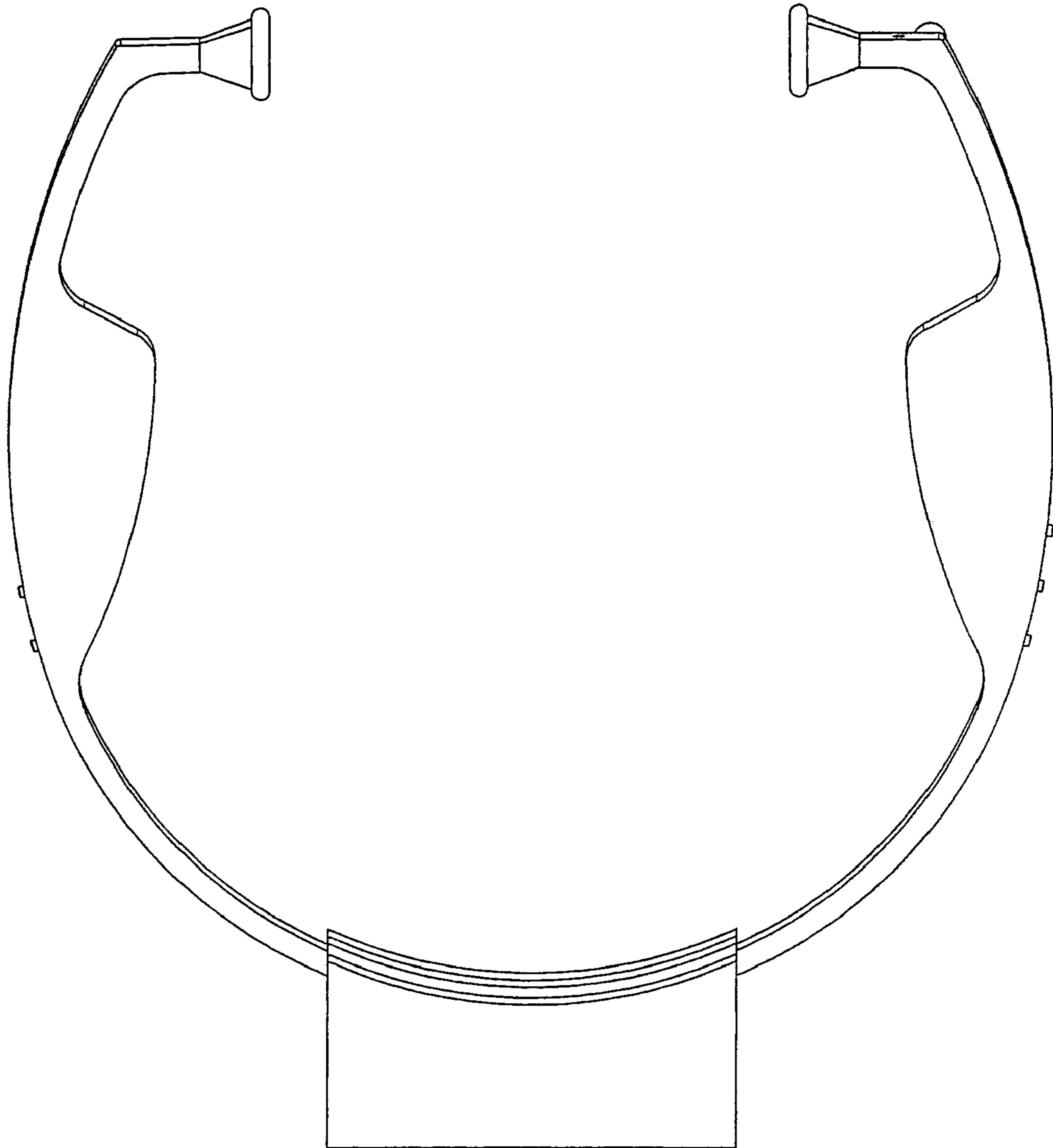


Fig. 20

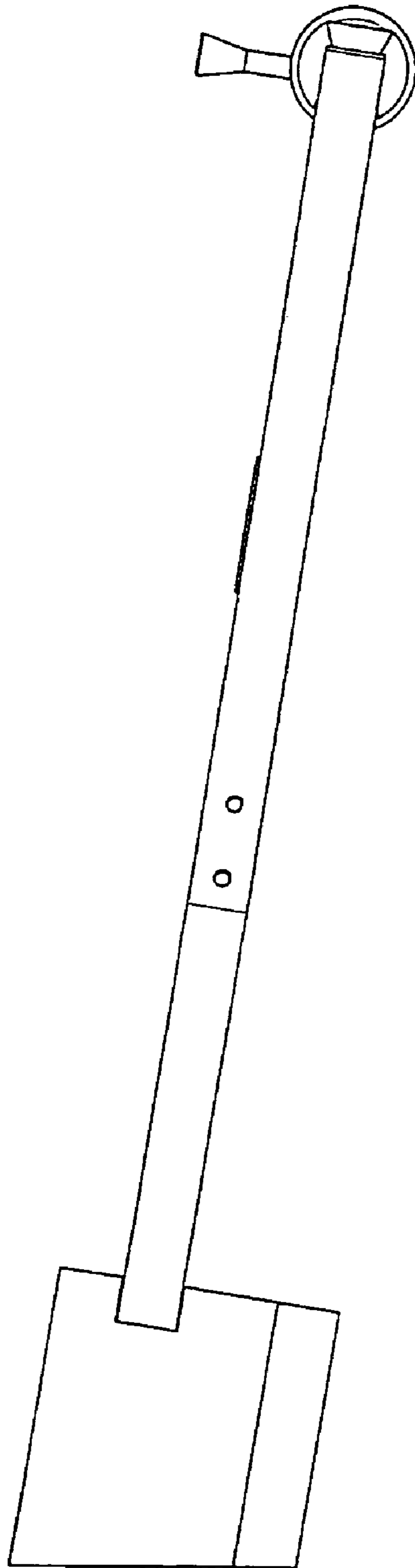


Fig. 21

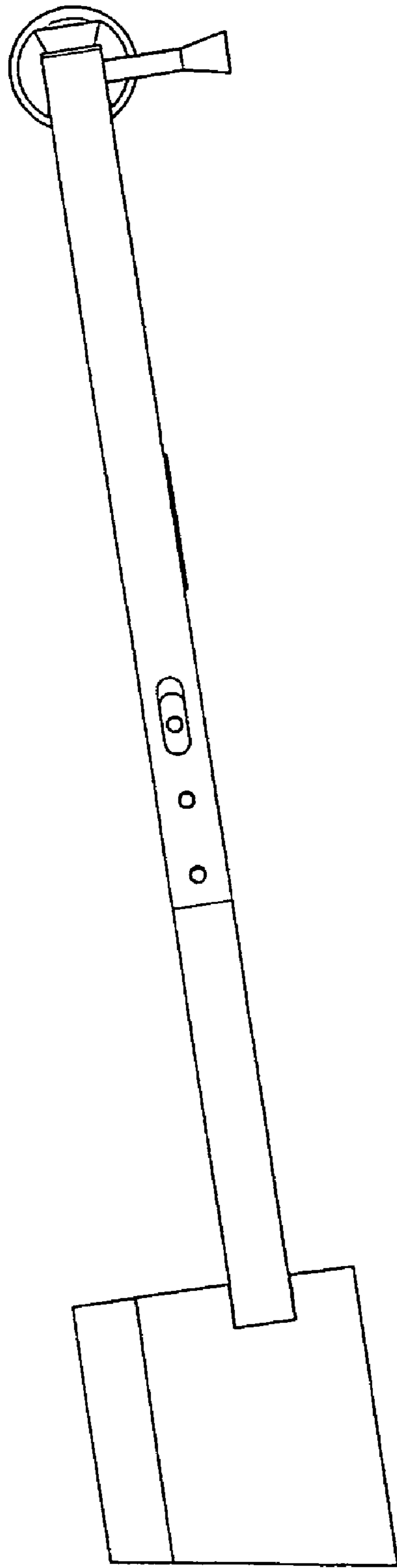


Fig. 22

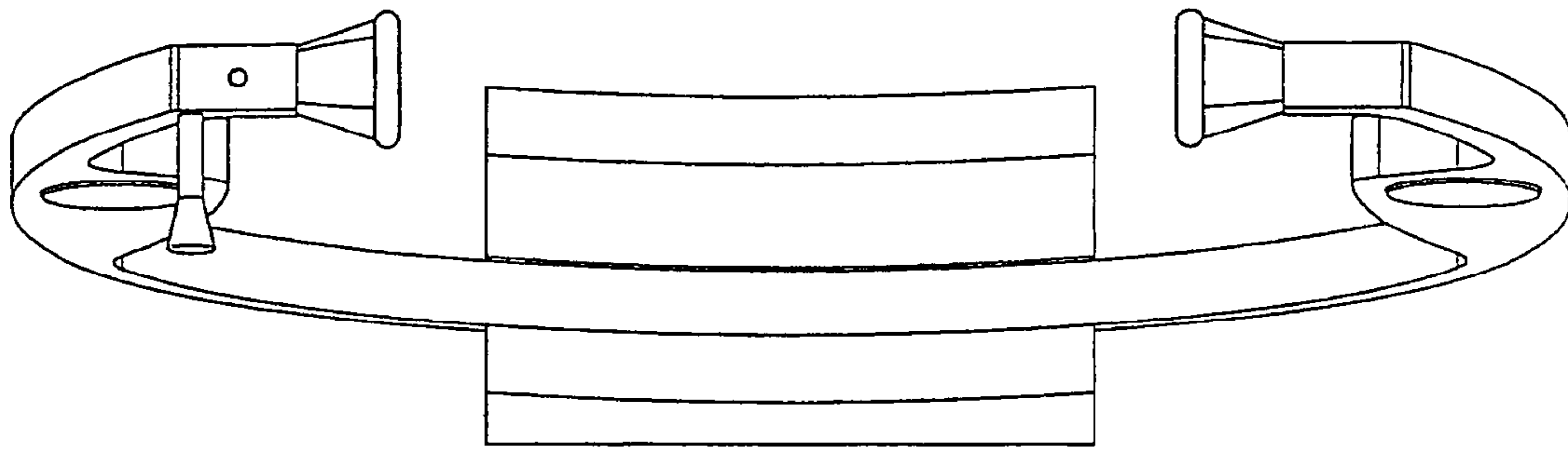


Fig. 23

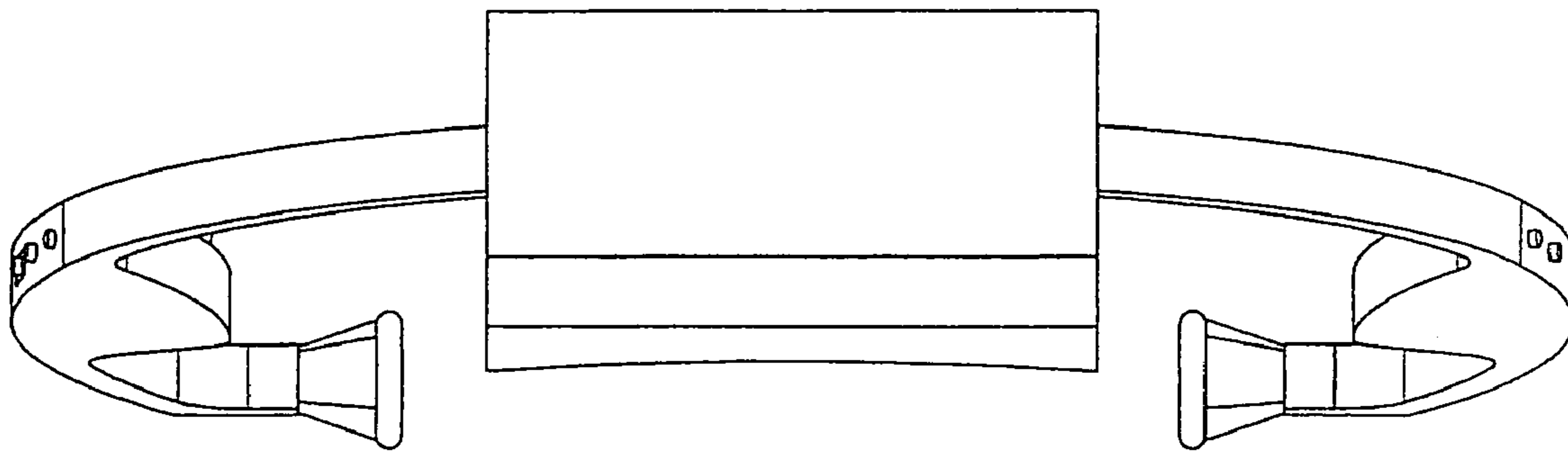


Fig. 24