



US00D560205S

(12) **United States Design Patent**  
**Bhavnani**

(10) **Patent No.:** **US D560,205 S**

(45) **Date of Patent:** **\*\* Jan. 22, 2008**

(54) **CLOCK RADIO**

(75) Inventor: **Dilip Bhavnani**, Beverly Hills, CA  
(US)

(73) Assignee: **Sun Coast Merchandise Corporation**,  
Commerce, CA (US)

(\*\*) Term: **14 Years**

(21) Appl. No.: **29/250,792**

(22) Filed: **Nov. 30, 2006**

(51) **LOC (8) Cl.** ..... **14-03**

(52) **U.S. Cl.** ..... **D14/171**

(58) **Field of Classification Search** ..... D14/137,  
D14/155, 156, 168, 170, 171, 193-198, 217,  
D14/496; D10/1, 2, 15; 312/7.1; 369/6-12;  
455/91, 95, 100, 128, 344, 347, 350, 351  
See application file for complete search history.

(56) **References Cited**

U.S. PATENT DOCUMENTS

- D252,801 S \* 9/1979 Usuda ..... D10/15
- D262,293 S \* 12/1981 Anzai ..... D18/2
- D342,520 S \* 12/1993 Totsuka ..... D14/170
- D370,013 S \* 5/1996 Herbst, Jr. .... D14/160
- D374,009 S \* 9/1996 George ..... D14/171
- D483,349 S \* 12/2003 Murakami ..... D14/215

- D486,139 S \* 2/2004 Chen ..... D14/171
- D491,167 S \* 6/2004 Yokoyama ..... D14/215
- D537,071 S \* 2/2007 Chen ..... D14/215
- D542,776 S \* 5/2007 Dayan ..... D14/215

\* cited by examiner

*Primary Examiner*—Stella M. Reid

*Assistant Examiner*—Keli' L. Acker

(74) *Attorney, Agent, or Firm*—The Soni Law Firm

(57) **CLAIM**

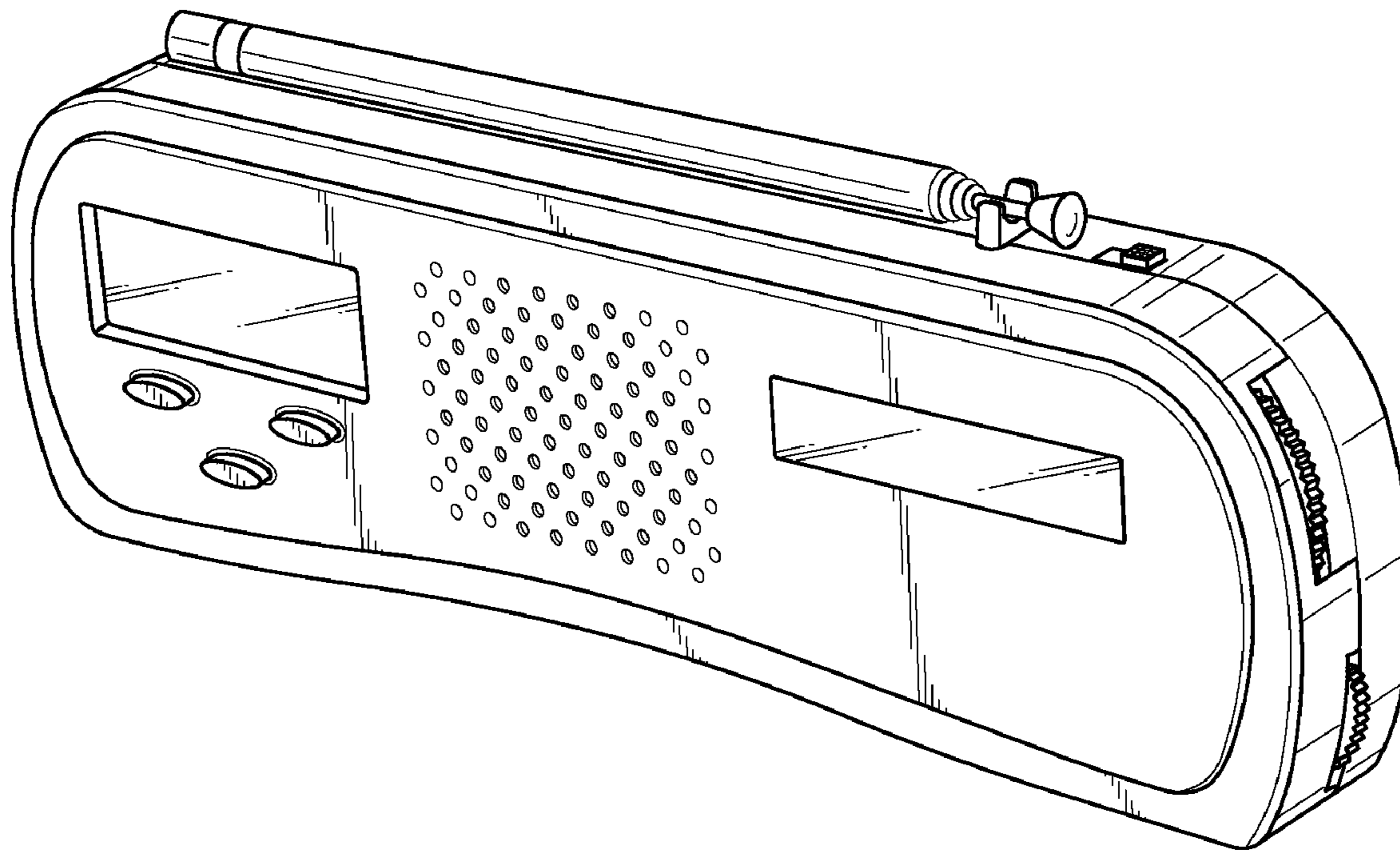
The ornamental design for a clock radio, as shown and described.

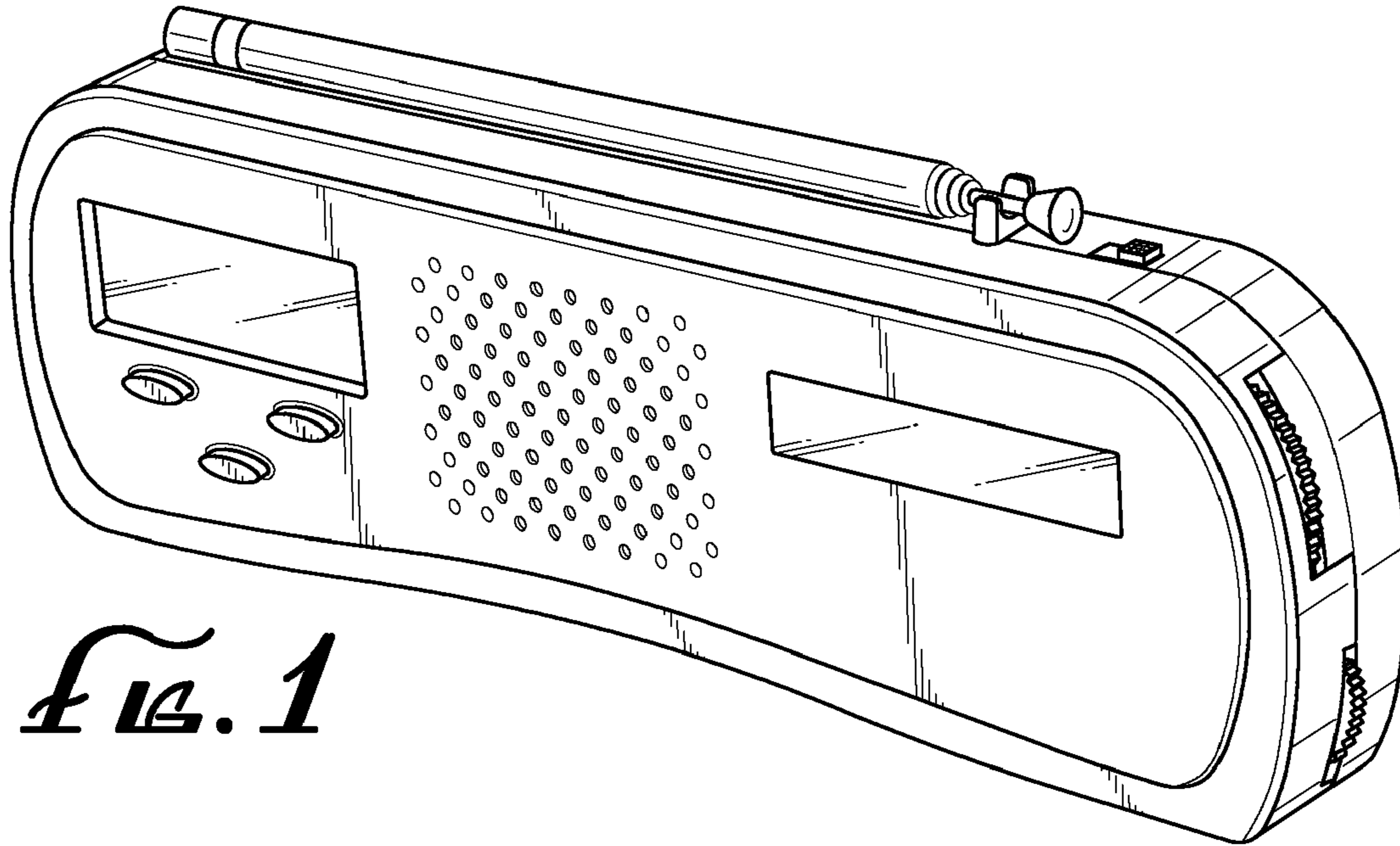
**DESCRIPTION**

FIG. 1 is a front side top perspective view of my new design;  
 FIG. 2 is a front elevational view thereof;  
 FIG. 3 is a to plan view thereof;  
 FIG. 4 is a right side elevational view thereof;  
 FIG. 5 is a left side elevational view thereof;  
 FIG. 6 is back elevational view thereof; and,  
 FIG. 7 is a bottom plan view thereof.

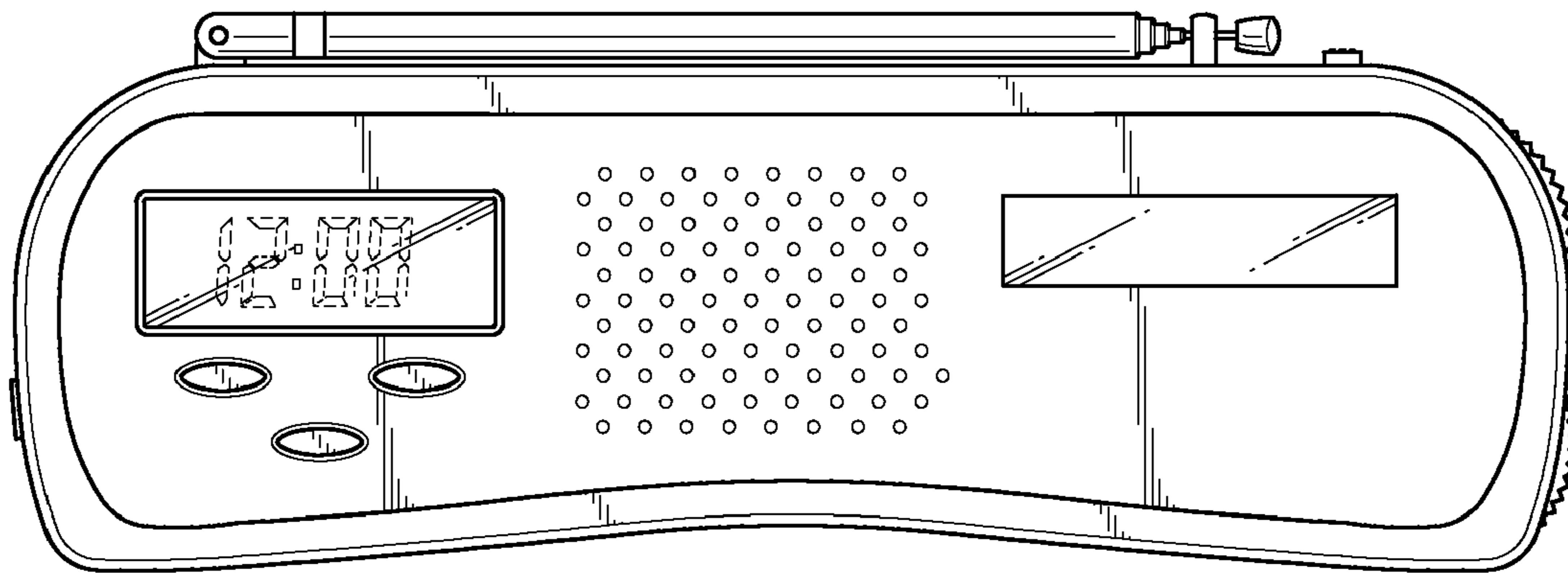
The broken line showing of the clock radio is included for the purpose of illustrating environmental structure and forms no part of the claimed design.

**1 Claim, 2 Drawing Sheets**

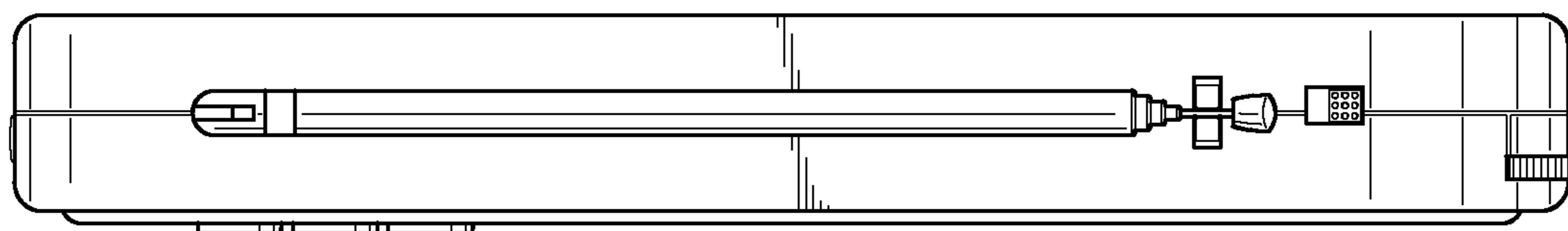




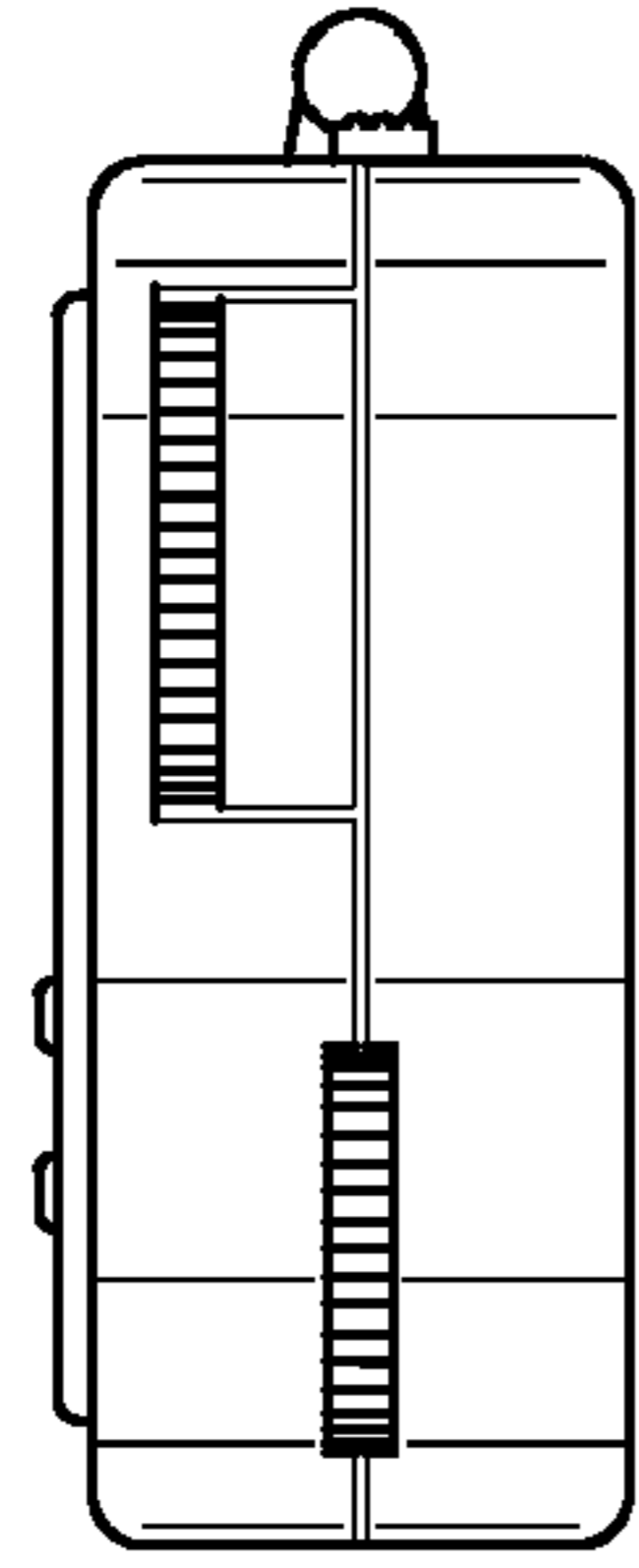
*FIG. 1*



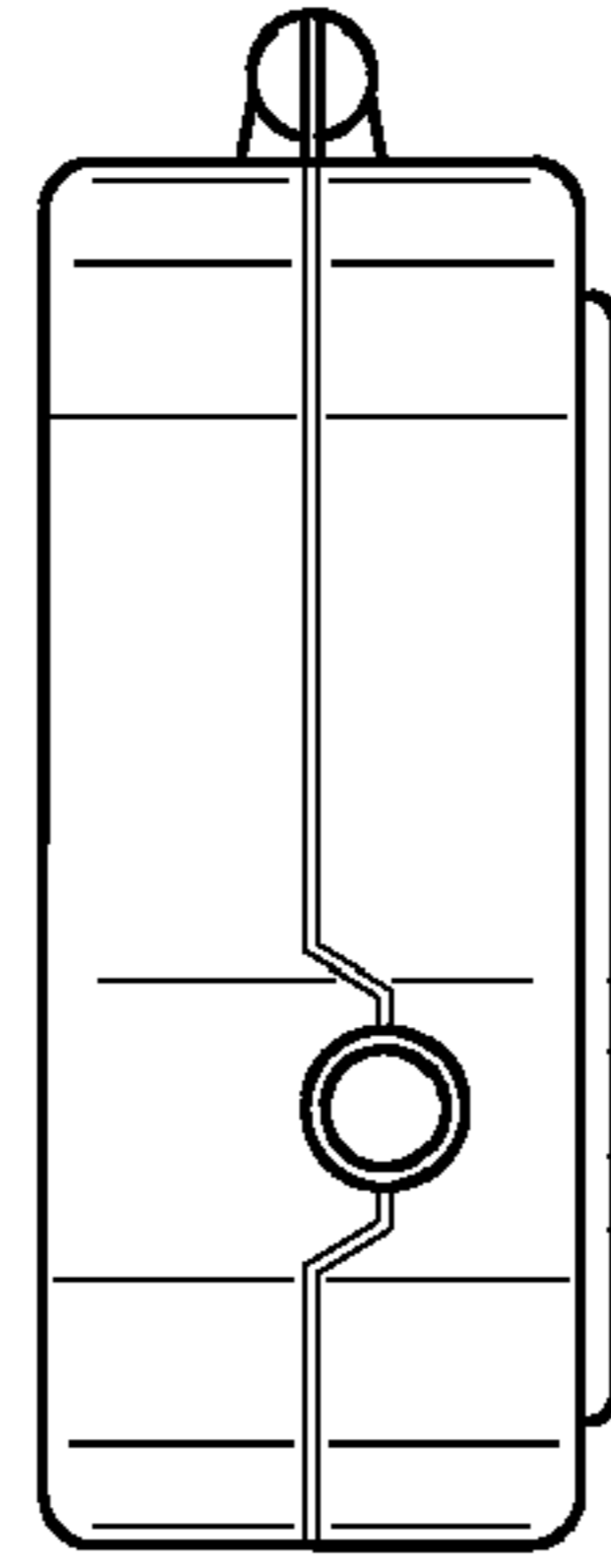
*FIG. 2*



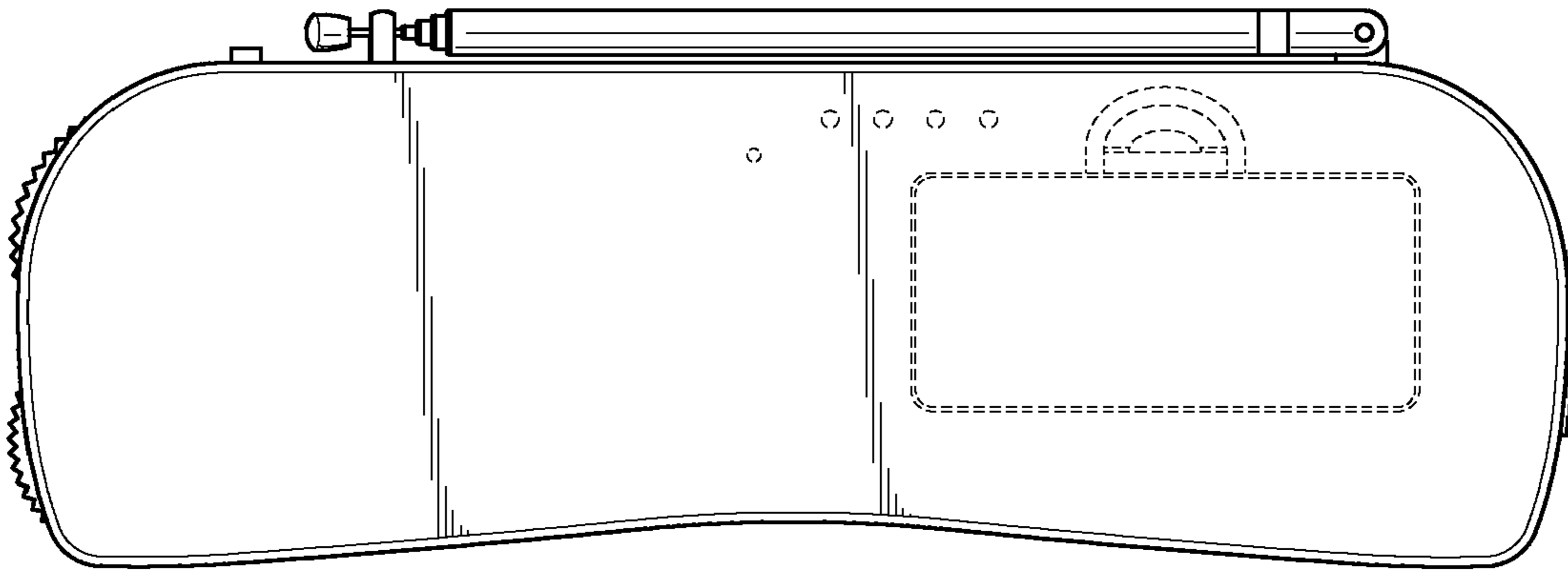
*FIG. 3*



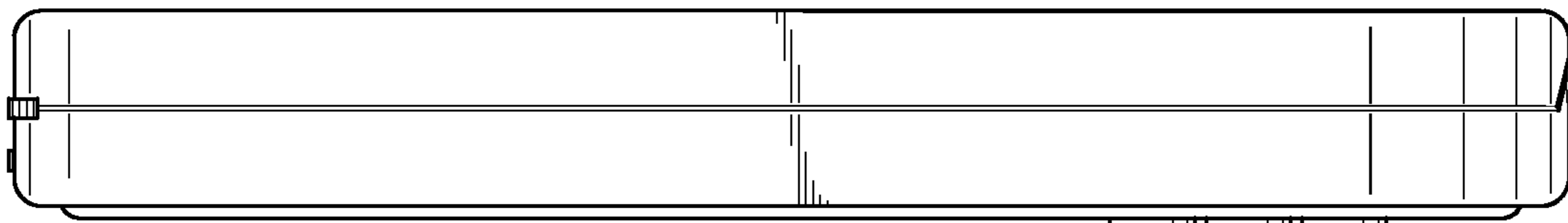
*FIG. 4*



*FIG. 5*



*FIG. 6*



*FIG. 7*