

US00D560203S

(12) **United States Design Patent** (10) **Patent No.:** **US D560,203 S**  
**Williamson et al.** (45) **Date of Patent:** **\*\* Jan. 22, 2008**

(54) **COMBINED MEDIA PLAYER AND COMPUTER CONTROLLER**  
(75) Inventors: **Paul Williamson**, Providence, RI (US); **James Corbin**, Providence, RI (US); **Gregor Mittersinker**, Warwick, RI (US); **Christopher Roman**, Wrentham, MA (US); **Michael Leighton**, Sun Prairie, WI (US)

6,545,953 B1 4/2003 Herbert  
6,735,377 B1 5/2004 Hsieh  
D491,915 S 6/2004 Warden  
6,771,568 B2 8/2004 Hochendoner  
D496,922 S 10/2004 Kimura  
D505,667 S 5/2005 Okada

(Continued)

**FOREIGN PATENT DOCUMENTS**

DE 10361015 7/2005

(Continued)

**OTHER PUBLICATIONS**

DJS Pro Audio and Lighting, "Cortex HDC-1000", source: www.djsupply.com/proddetail.asp?prod=CortexHDC%2D1000&cat=58.

(Continued)

*Primary Examiner*—Nanda Bondade  
(74) *Attorney, Agent, or Firm*—Barlow, Josephs & Holmes, Ltd.

(57) **CLAIM**

The ornamental design for a combined media player and computer controller, as shown.

**DESCRIPTION**

FIG. 1 is a perspective view of a combined media player and computer controller showing our new design;  
FIG. 2 is a front elevational view thereof;  
FIG. 3 is a rear elevational view thereof;  
FIG. 4 is a top view thereof;  
FIG. 5 is a bottom view thereof;  
FIG. 6 is a left side elevational view thereof;  
FIG. 7 is a right side elevational view thereof; and,  
FIG. 8 is a rear perspective view thereof.

**1 Claim, 8 Drawing Sheets**

(73) Assignee: **Numark Industries, LLC**, Cumberland, RI (US)

(\*\*) Term: **14 Years**

(21) Appl. No.: **29/282,859**

(22) Filed: **Jul. 31, 2007**

**Related U.S. Application Data**

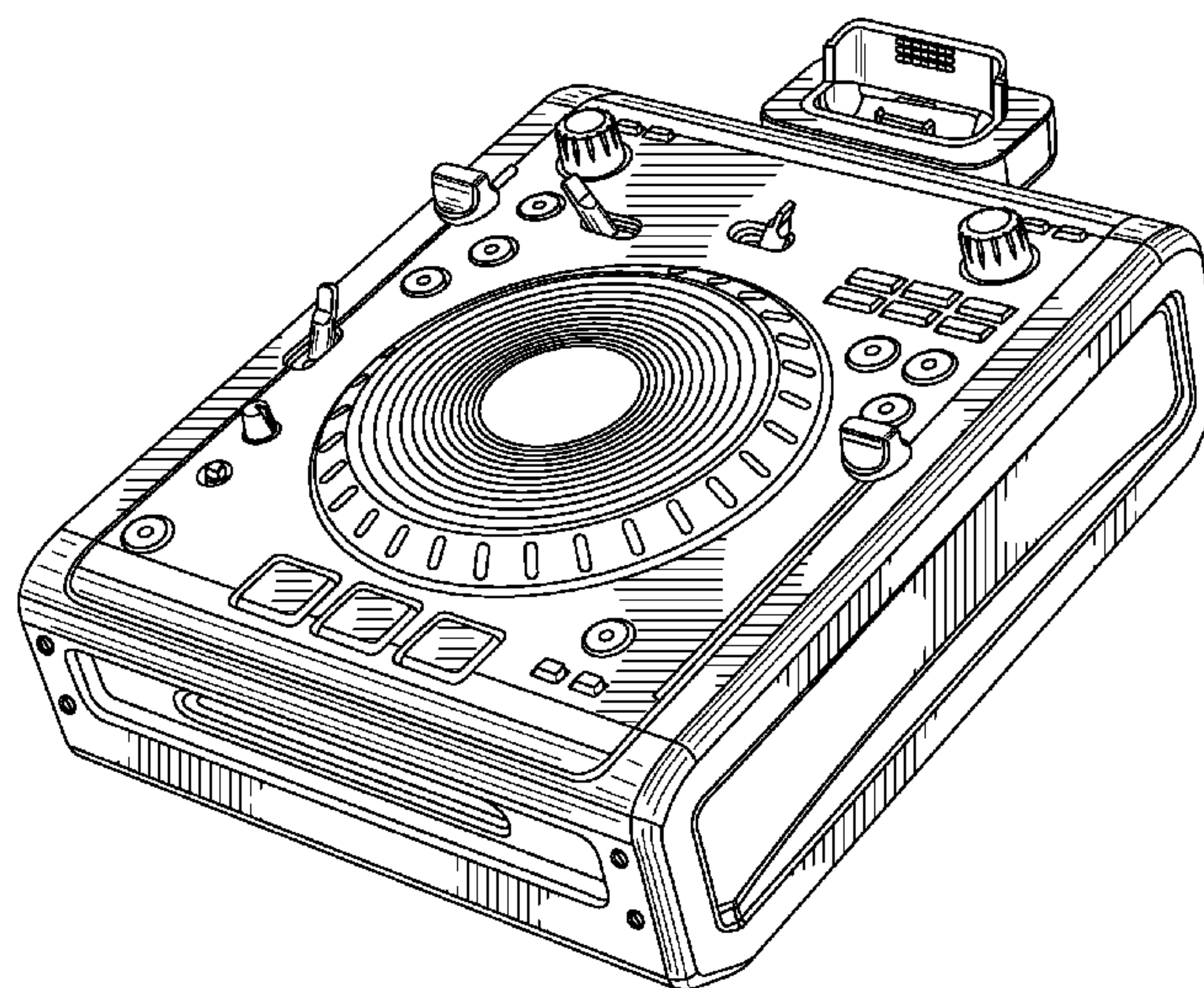
(62) Division of application No. 29/246,271, filed on Mar. 28, 2006, now Pat. No. Des. 553,118.

(51) **LOC (8) Cl.** ..... **14-01**  
(52) **U.S. Cl.** ..... **D14/168; D14/203; D14/217**  
(58) **Field of Classification Search** ..... D14/135-136, D14/156, 162, 167-168, 199-203, 217, 261; 312/8.4, 322, 325; 84/645; 360/99.02, 99.07; 369/75.11, 75.21, 77.21, 77.11  
See application file for complete search history.

(56) **References Cited**

**U.S. PATENT DOCUMENTS**

4,829,500 A 5/1989 Saunders  
5,633,843 A 5/1997 Gupta et al.  
5,675,557 A 10/1997 Hubinger  
5,959,610 A 9/1999 Silfvast  
D454,552 S 3/2002 Nakane  
D454,855 S 3/2002 Nakane  
6,374,040 B2 4/2002 Mizoguchi et al.  
6,374,148 B1 4/2002 Dharmarajan et al.



# US D560,203 S

Page 2

## U.S. PATENT DOCUMENTS

D512,409 S 12/2005 Ishizaki  
D512,706 S \* 12/2005 Nakane et al. .... D14/156  
D518,022 S 3/2006 Ishizaki  
2001/0023141 A1 9/2001 Chang  
2002/0065570 A1 5/2002 Fujita et al.  
2002/0093884 A1 7/2002 Hochendoner  
2002/0188364 A1 12/2002 Ota et al.  
2003/0002395 A1 1/2003 Chang et al.  
2003/0029302 A1 2/2003 Reed  
2003/0035559 A1 2/2003 Cohen  
2003/0063066 A1 4/2003 Thomas Brown  
2003/0063196 A1 4/2003 Palatov et al.  
2003/0223736 A1 12/2003 Muzaffer et al.  
2004/0091126 A1 5/2004 Hirade et al.  
2004/0184626 A1 9/2004 Hagiwara  
2005/0050063 A1 3/2005 Haas et al.  
2005/0052981 A1 3/2005 Shim et al.  
2005/0055117 A1 3/2005 Holton  
2005/0060467 A1 3/2005 Wieck  
2005/0083486 A1 4/2005 Johnson  
2005/0120165 A1 6/2005 Liang  
2005/0125083 A1 6/2005 Kiko  
2005/0146996 A1 7/2005 Roman  
2005/0149654 A1 7/2005 Holloway et al.  
2005/0157830 A1 7/2005 Ota et al.  
2005/0256595 A1 11/2005 Aiso et al.  
2005/0259532 A1 11/2005 Roman et al.  
2005/0265569 A1 12/2005 Langberg et al.

2005/0273553 A1 12/2005 Boucard  
2006/0015198 A1 1/2006 Okabayashi et al.  
2006/0039245 A1 2/2006 Huang  
2006/0045292 A1 3/2006 Ando  
2006/0093163 A1 5/2006 Herbert

## FOREIGN PATENT DOCUMENTS

JP 2004171745 6/2004  
WO 03092277 11/2003

## OTHER PUBLICATIONS

Portland Music Company, "Yamaha MW10, USB mixer interface with cubase LE", source: [www.portlandmusiccompany.com/mw10.html](http://www.portlandmusiccompany.com/mw10.html).

TigerDirect.com, "Digital Blue Mixman DM2 Digital Music Mixer", source: [www.tigerdirect.com/applications/SearchTools/item-details.asp?EdpNo=1592263](http://www.tigerdirect.com/applications/SearchTools/item-details.asp?EdpNo=1592263).

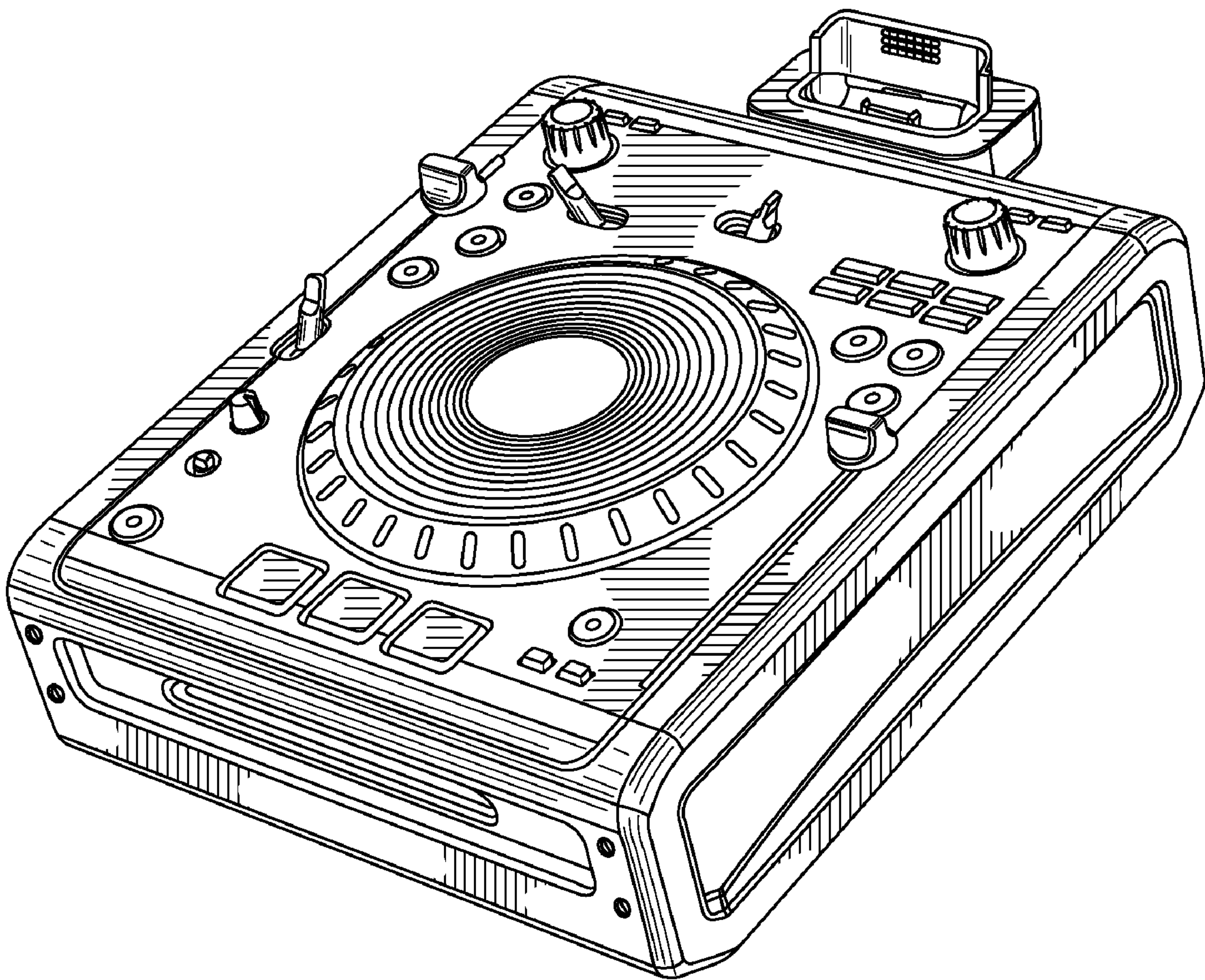
DJS Pro Audio & Lighting, "PCDJ DAC-3 FX & KJ Bundle", source [www.djsupply.com/proddetail.asp?prod=1F%5FPCDJDac3kjfx](http://www.djsupply.com/proddetail.asp?prod=1F%5FPCDJDac3kjfx).

CNet Reviews, "Dream'eo Enza Portable Media Center (20GB)", source: [www.reviews.cnet.com/portable-video-players-pvps/dream-eo-enza-portable/4505-6499\\_7-31563842.html](http://www.reviews.cnet.com/portable-video-players-pvps/dream-eo-enza-portable/4505-6499_7-31563842.html).

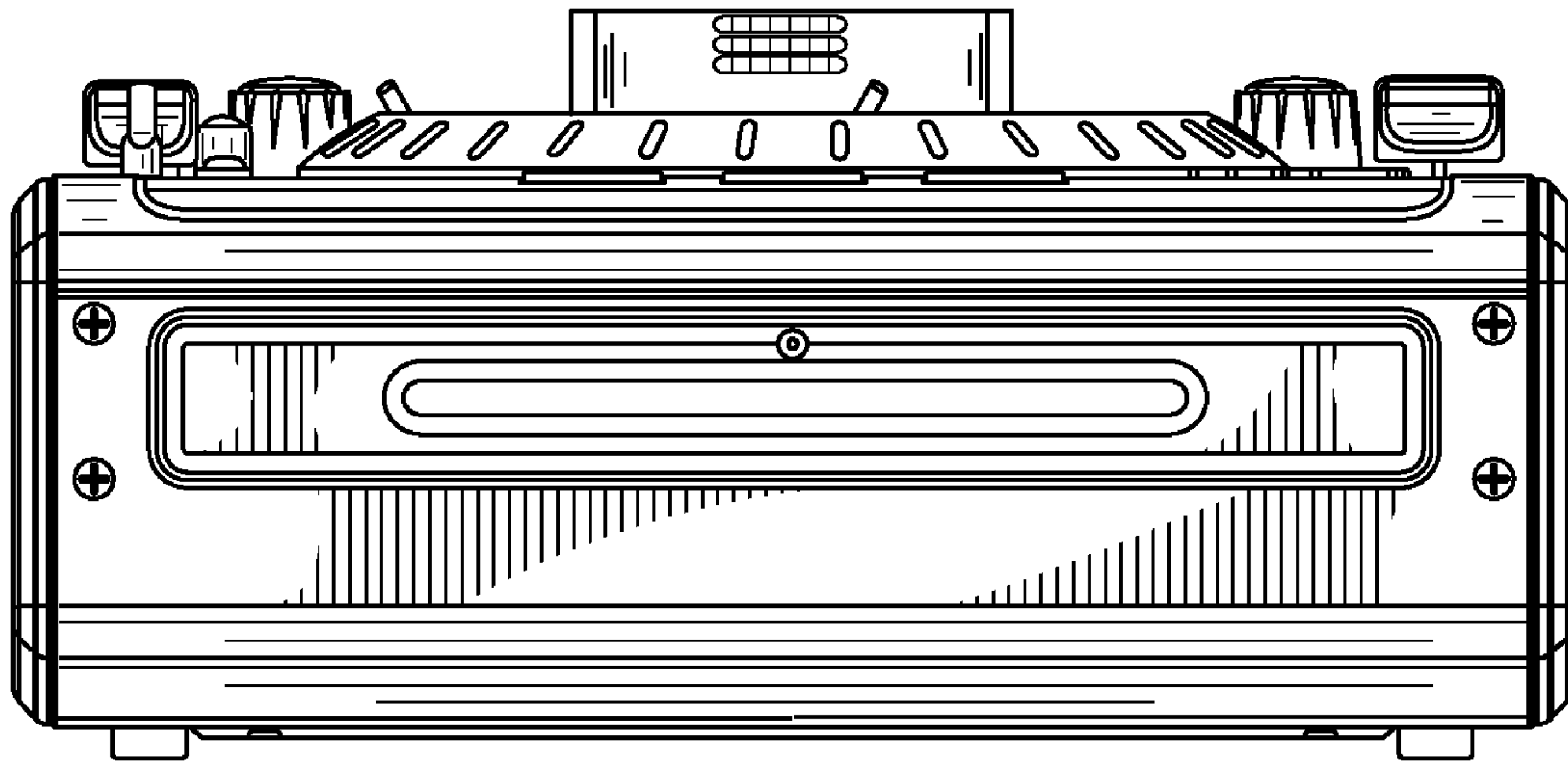
Computer Geeks.com, "SupportPlus 20GB USB Digital Media Player", source: [www.geeks.com/details.asp?invtid\\_SP-PMP51C&cat=CON](http://www.geeks.com/details.asp?invtid_SP-PMP51C&cat=CON).

\* cited by examiner

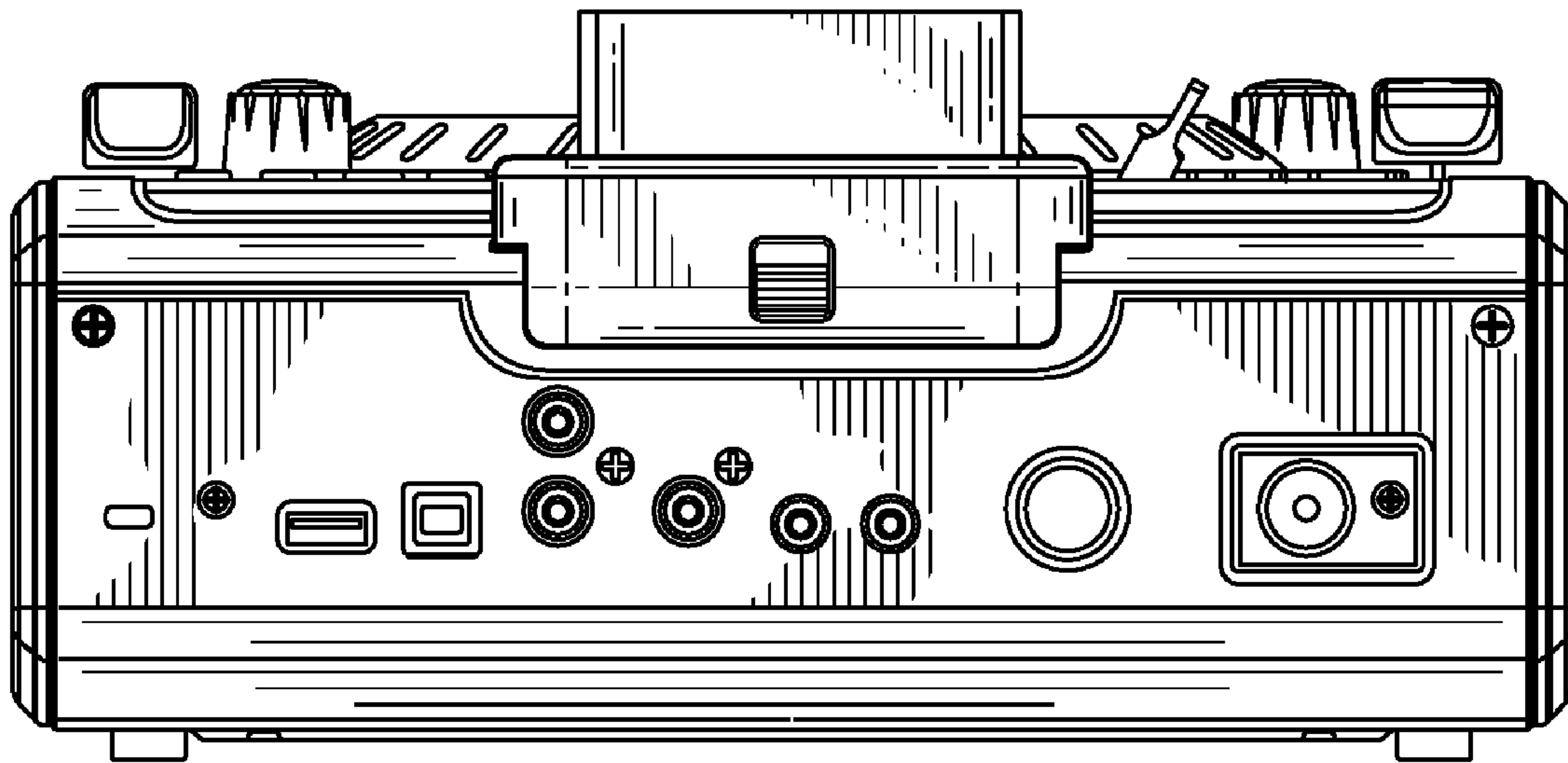




**FIG. 1**



**FIG. 2**



**FIG. 3**

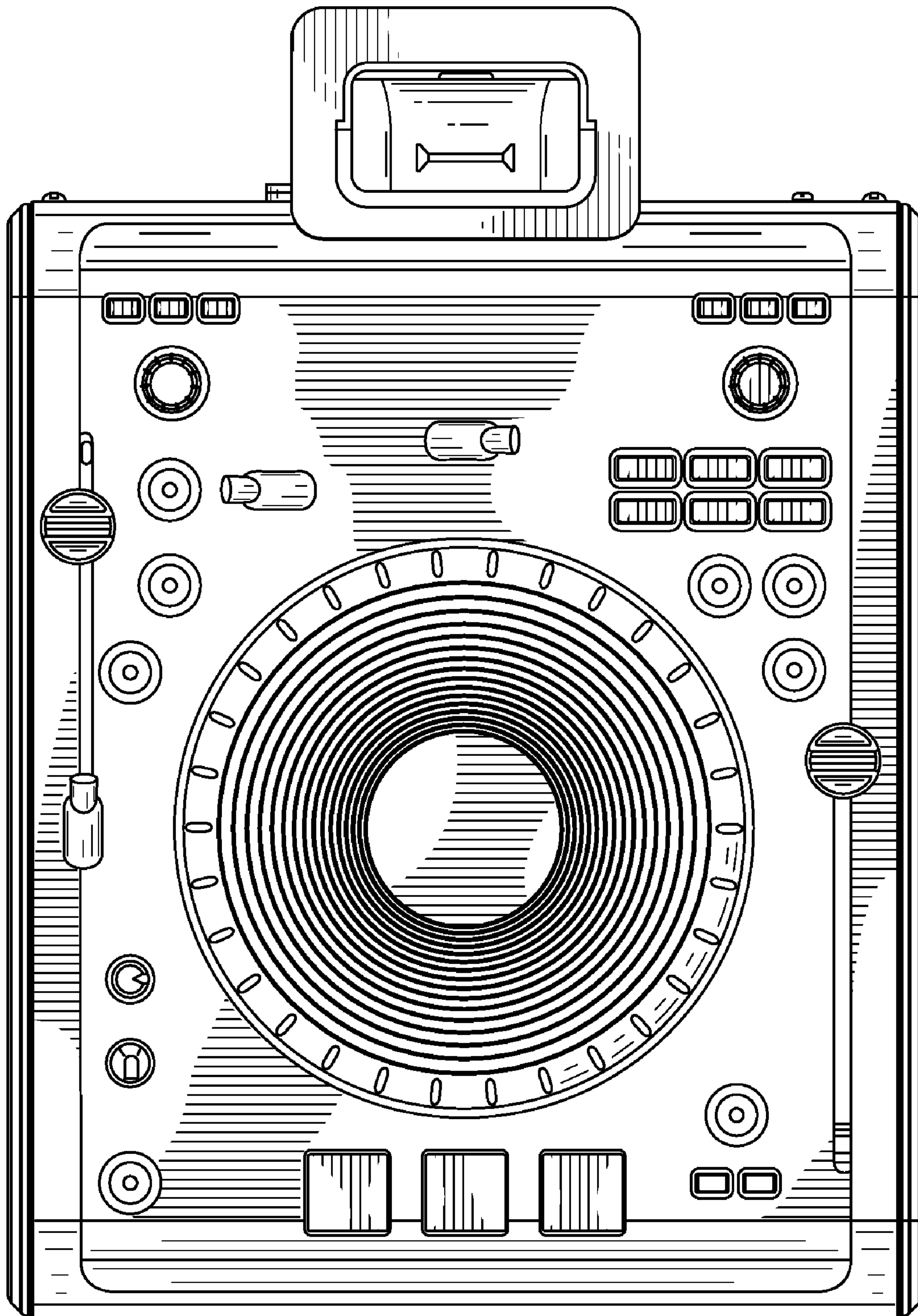
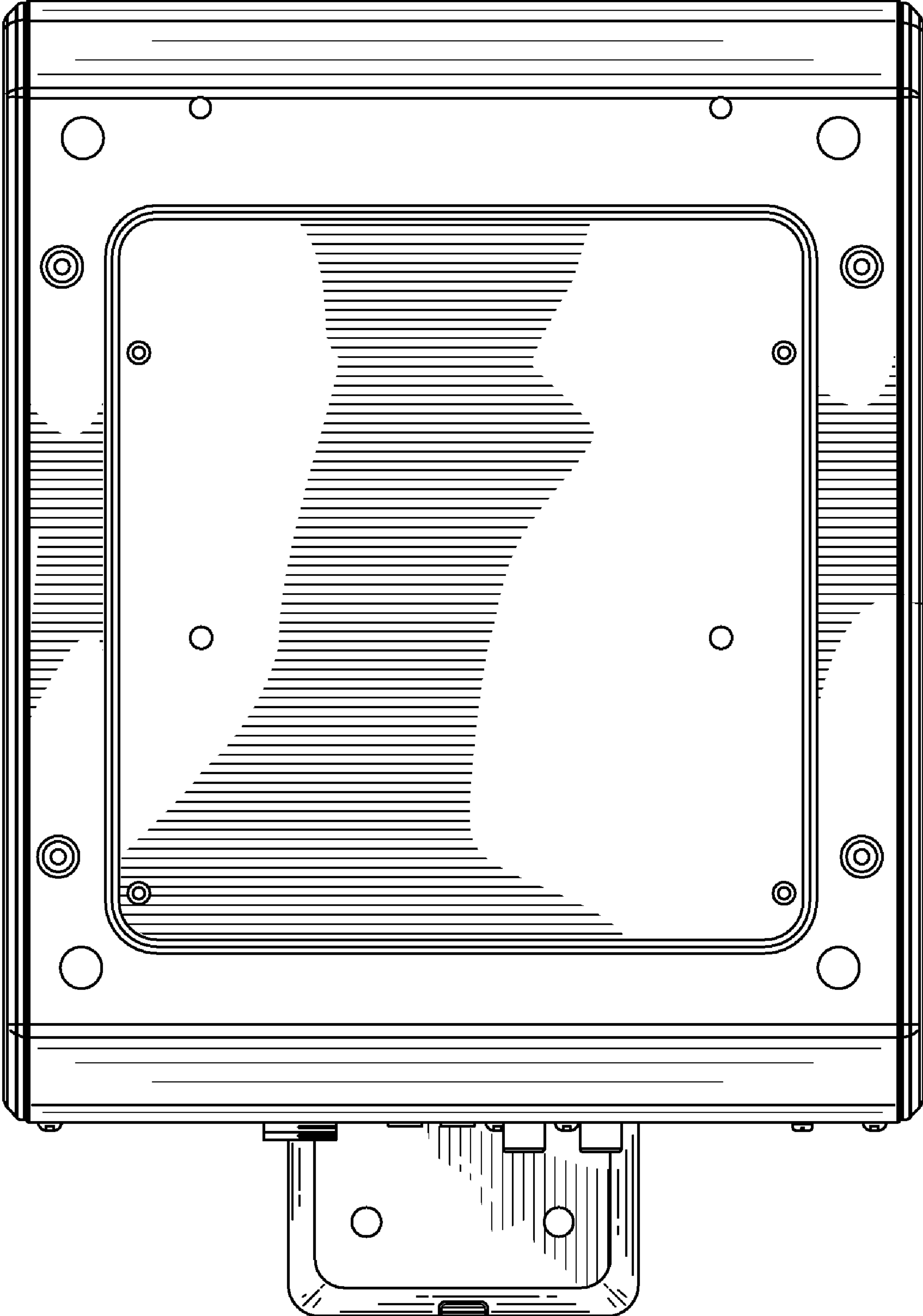


FIG. 4



**FIG. 5**

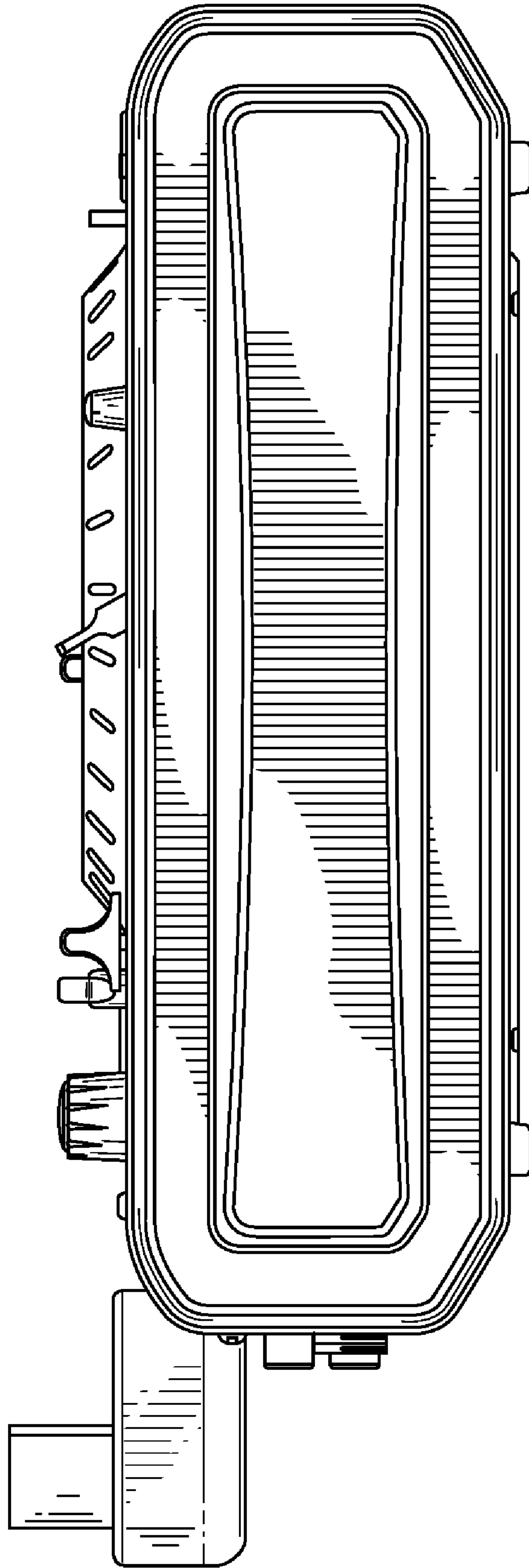


FIG. 6



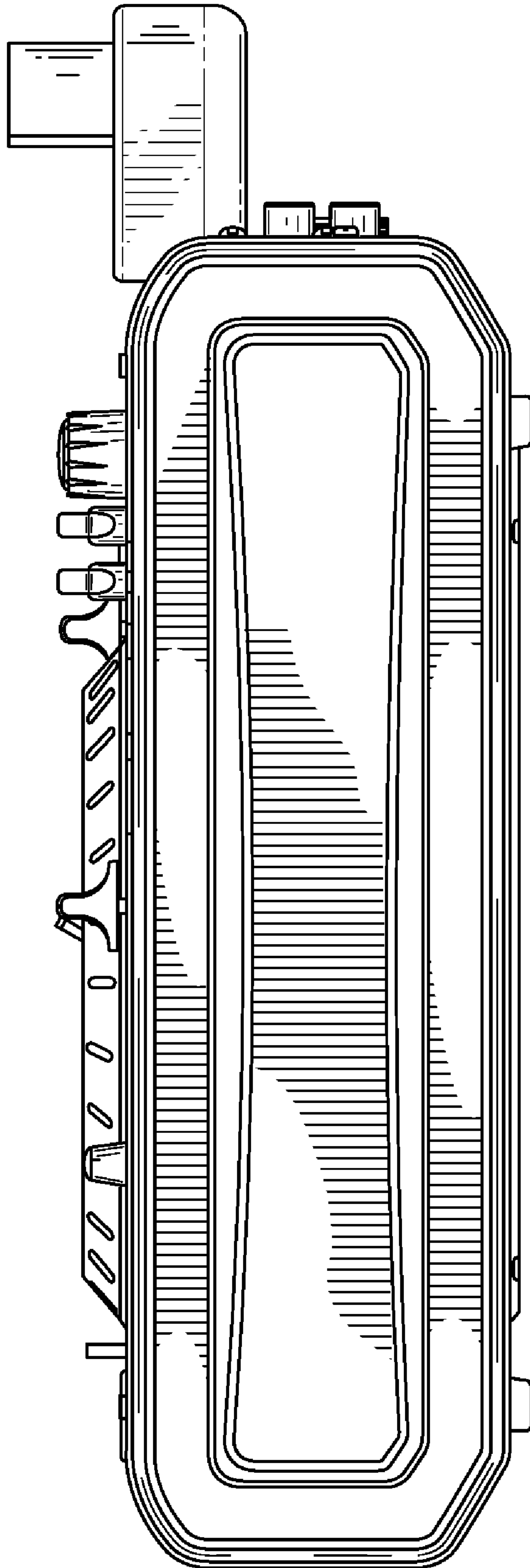
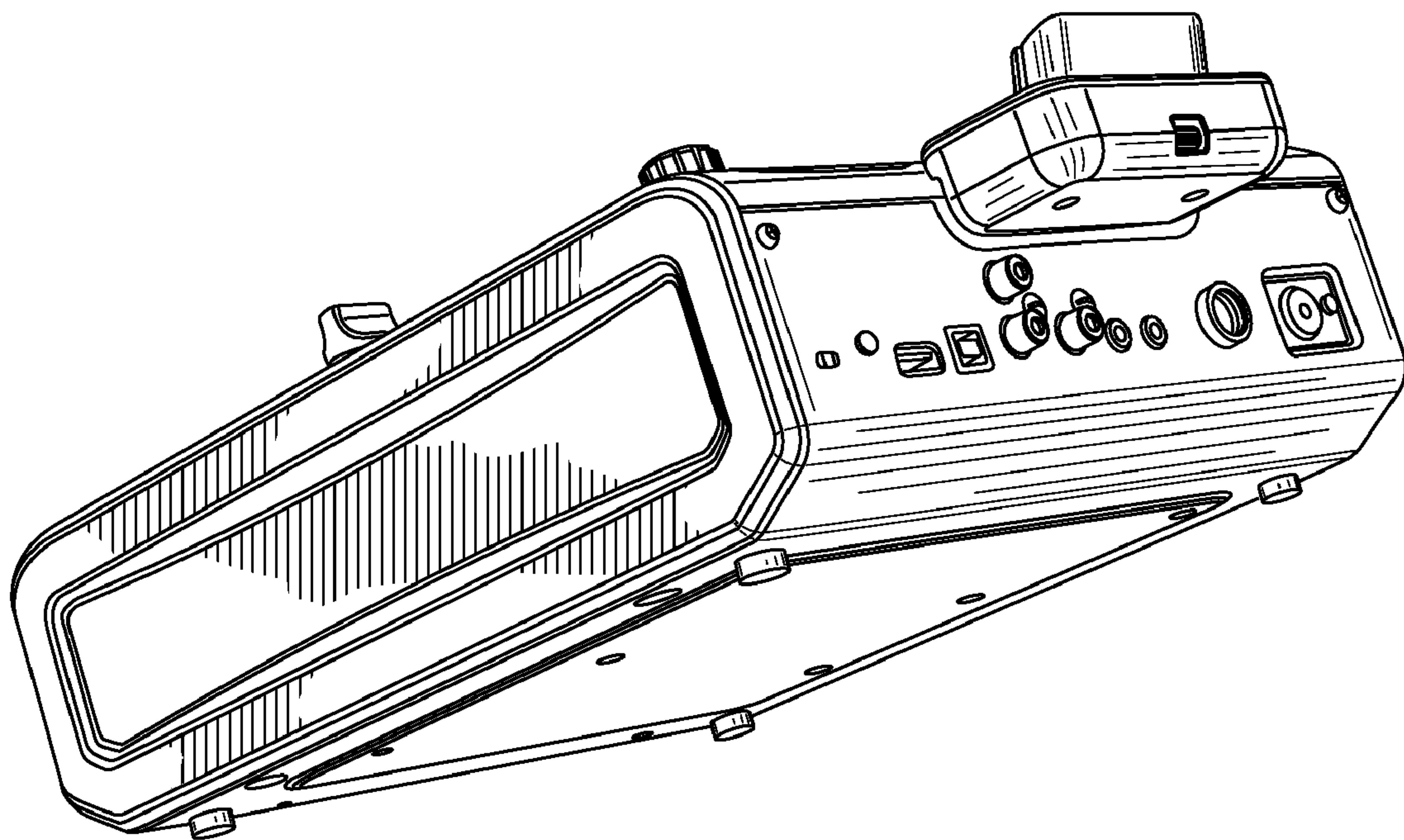


FIG. 7



**FIG. 8**