

US00D560202S

(12) **United States Design Patent**
Shen

(10) **Patent No.:** **US D560,202 S**

(45) **Date of Patent:** **** Jan. 22, 2008**

(54) **MOBILE PHONE**

(75) Inventor: **Yong-Tao Shen**, Shanghai (CN)

(73) Assignee: **Inventec Appliances Corp.**, Taipei (TW)

(**) Term: **14 Years**

(21) Appl. No.: **29/275,377**

(22) Filed: **Dec. 22, 2006**

(51) **LOC (8) Cl.** **14-03**

(52) **U.S. Cl.** **D14/138**

(58) **Field of Classification Search** D14/137,
D14/138, 147-151, 218, 144, 247, 248, 341-347;
455/550.1-90.3; 379/433.01-443.13; 361/814;
348/14.02

See application file for complete search history.

(56) **References Cited**

U.S. PATENT DOCUMENTS

| | | | | |
|-------------------|---------|--------------|-------|-----------|
| D508,473 S * | 8/2005 | Lee et al. | | D14/138 |
| D515,544 S * | 2/2006 | Kim et al. | | D14/138 |
| D528,092 S * | 9/2006 | Lee et al. | | D14/138 |
| D528,095 S * | 9/2006 | Kwon et al. | | D14/138 |
| 2005/0250532 A1 * | 11/2005 | Hwang et al. | | 455/550.1 |

OTHER PUBLICATIONS

Eten P700, announced 1st Quarter 2004 (online) (retrieved Aug. 9, 2007) Internet URL <http://www.gsmarena.com>.*

* cited by examiner

Primary Examiner—Terry A Wallace

(74) *Attorney, Agent, or Firm*—Jianq Chyun IP Office

(57) **CLAIM**

The ornamental design for a mobile phone, as shown and described.

DESCRIPTION

FIG. 1 is a perspective view of a mobile phone showing the new design;

FIG. 2 is a front view thereof;

FIG. 3 is a rear view thereof;

FIG. 4 is a left side view thereof;

FIG. 5 is a right side view thereof;

FIG. 6 is a top view thereof;

FIG. 7 is a bottom view thereof; and

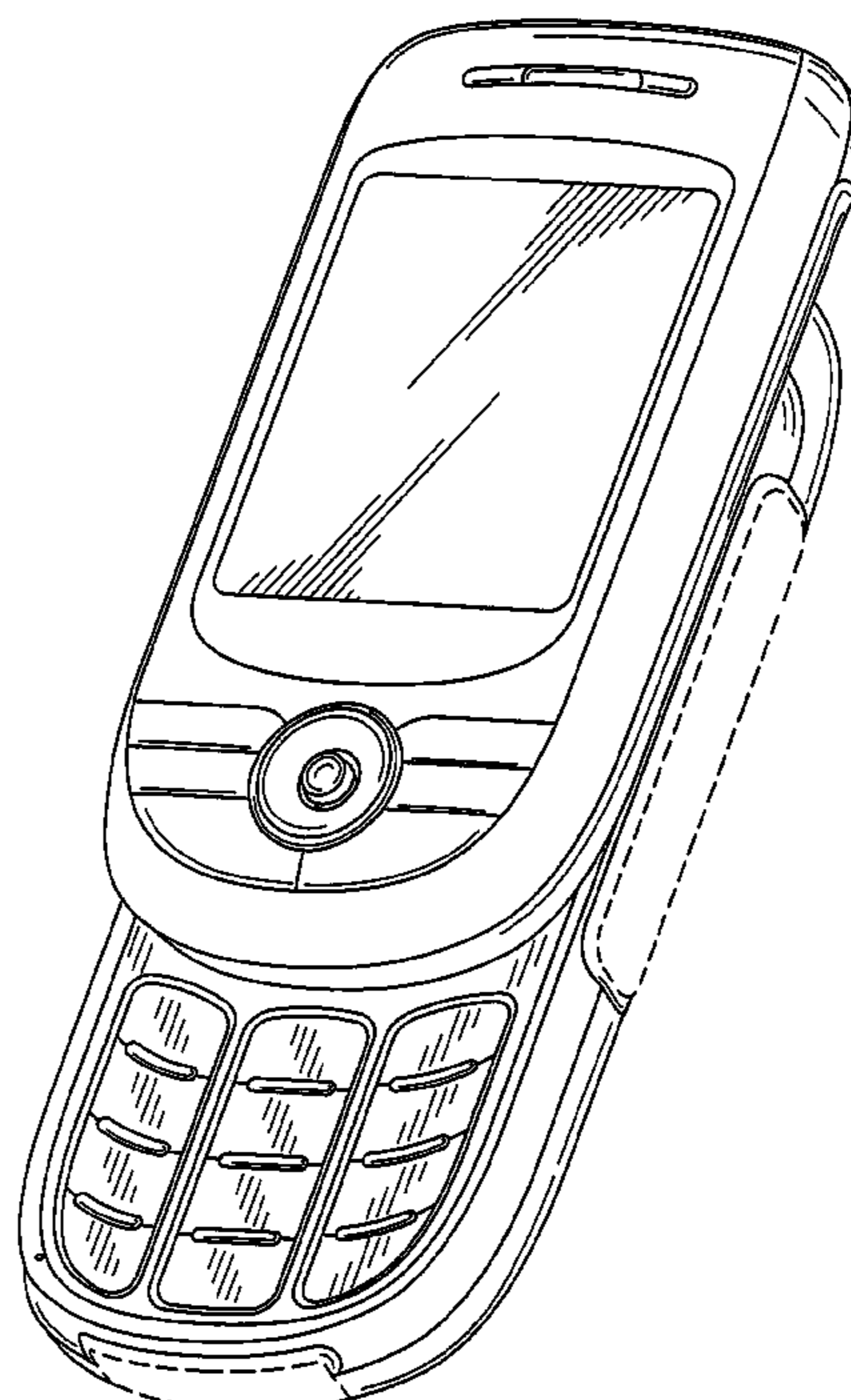
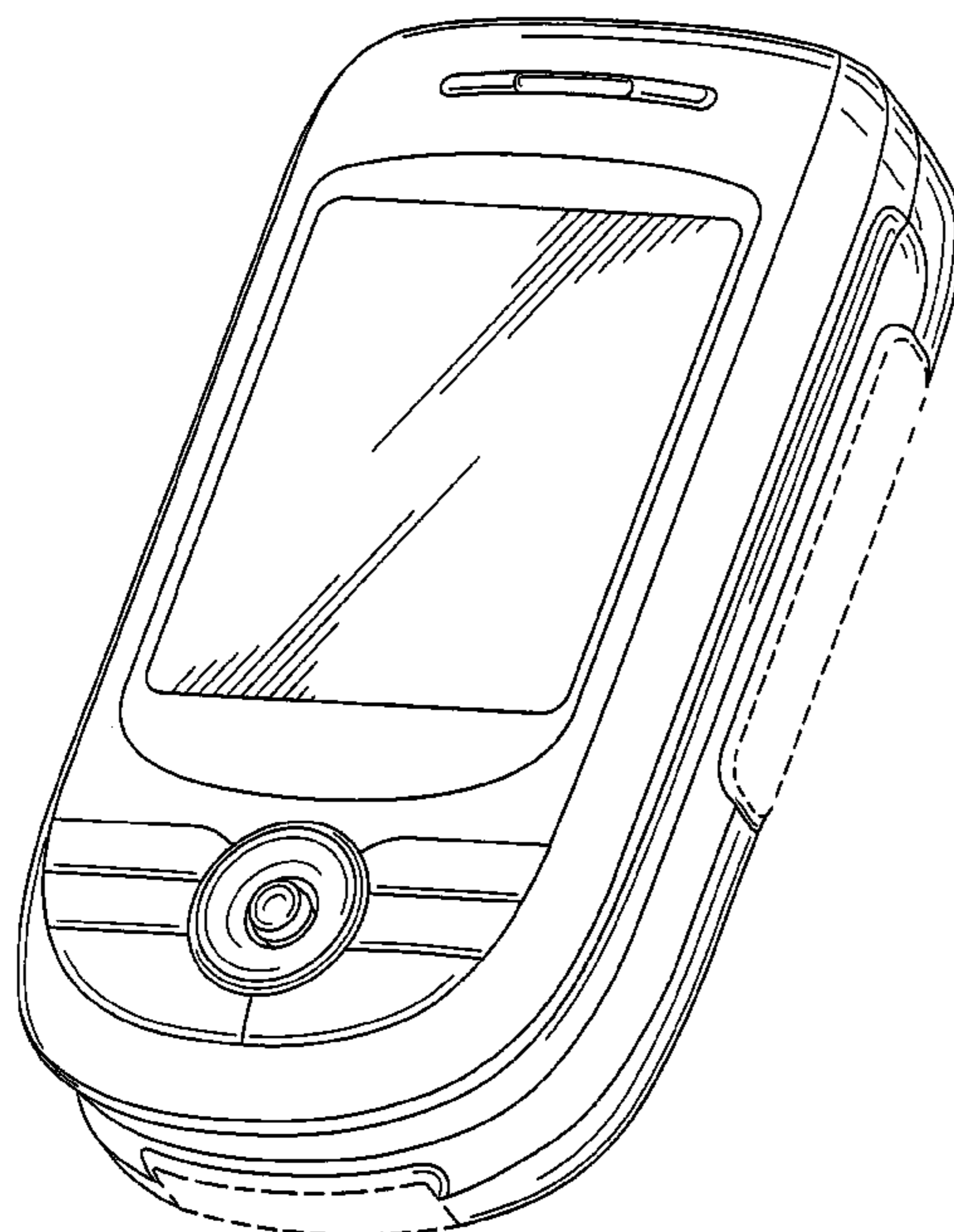
FIG. 8 is a perspective view showing the article with a display being in the slid position thereof.

FIG. 9 is a front view showing the article with a display being in the slid position thereof; and,

FIG. 10 is a right side view showing the article with a display being in the slid position thereof.

The broken lines shown in FIGS. 1-10 are for illustrative purposes only and form no part of the claimed design.

1 Claim, 9 Drawing Sheets



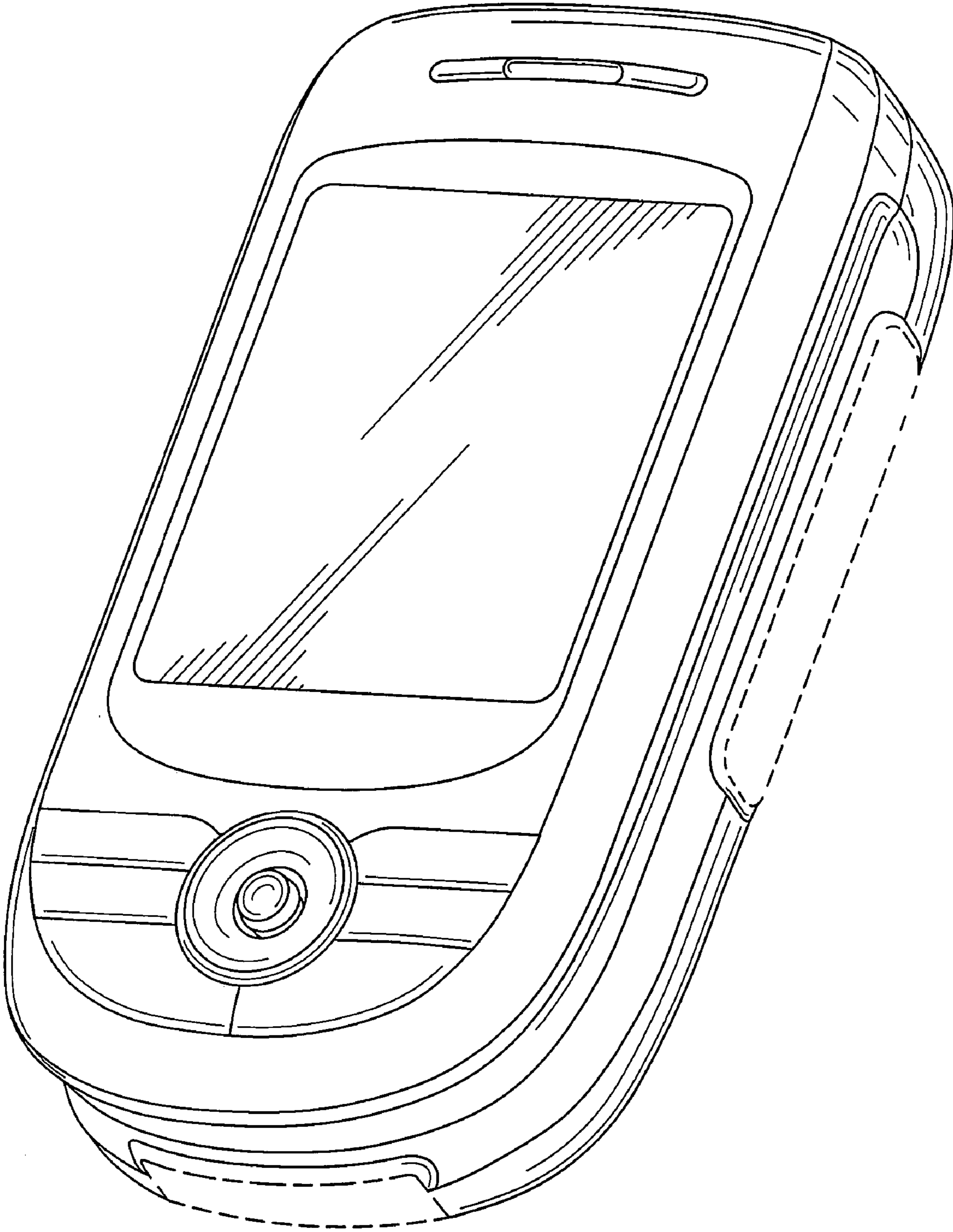


FIG. 1

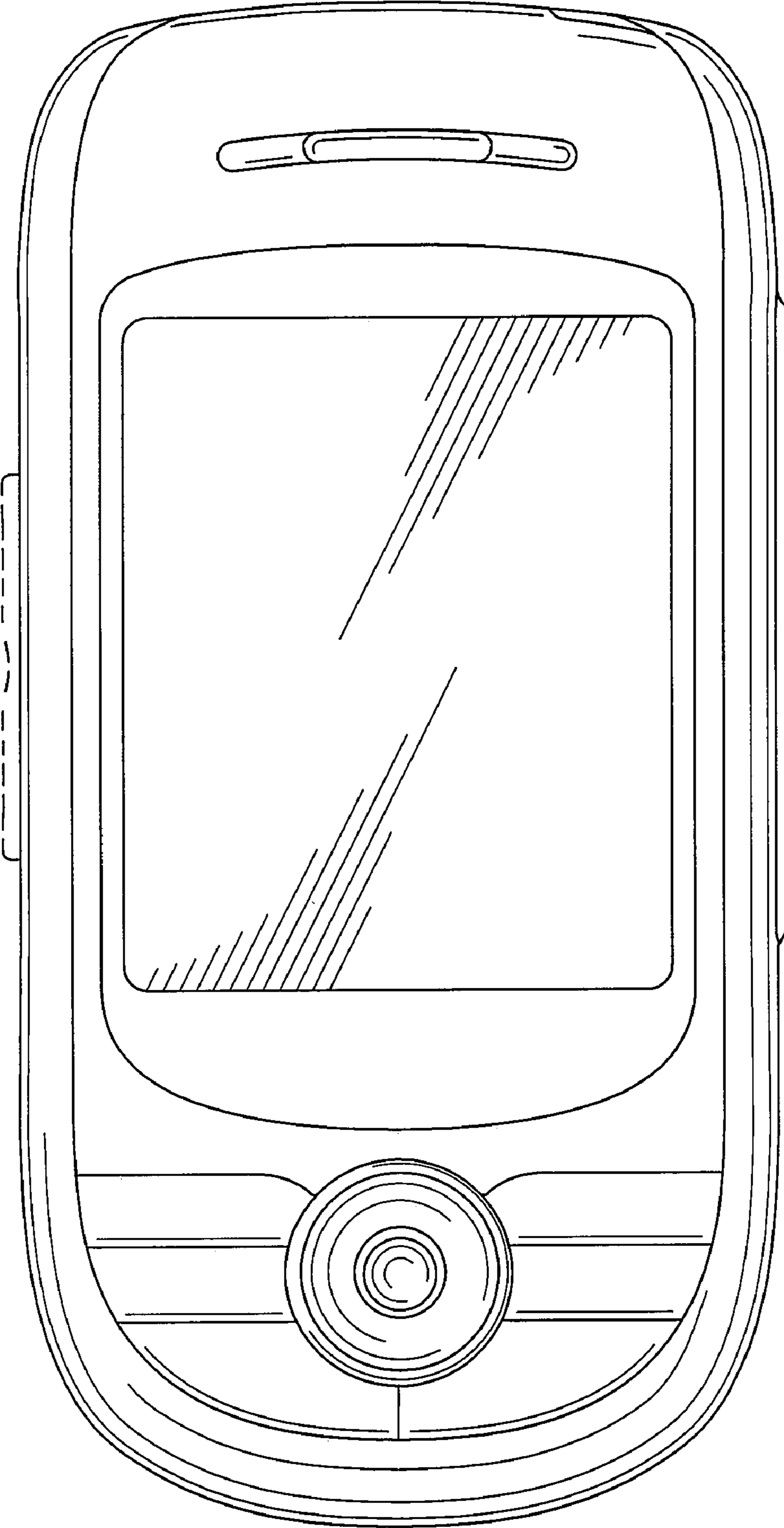


FIG. 2

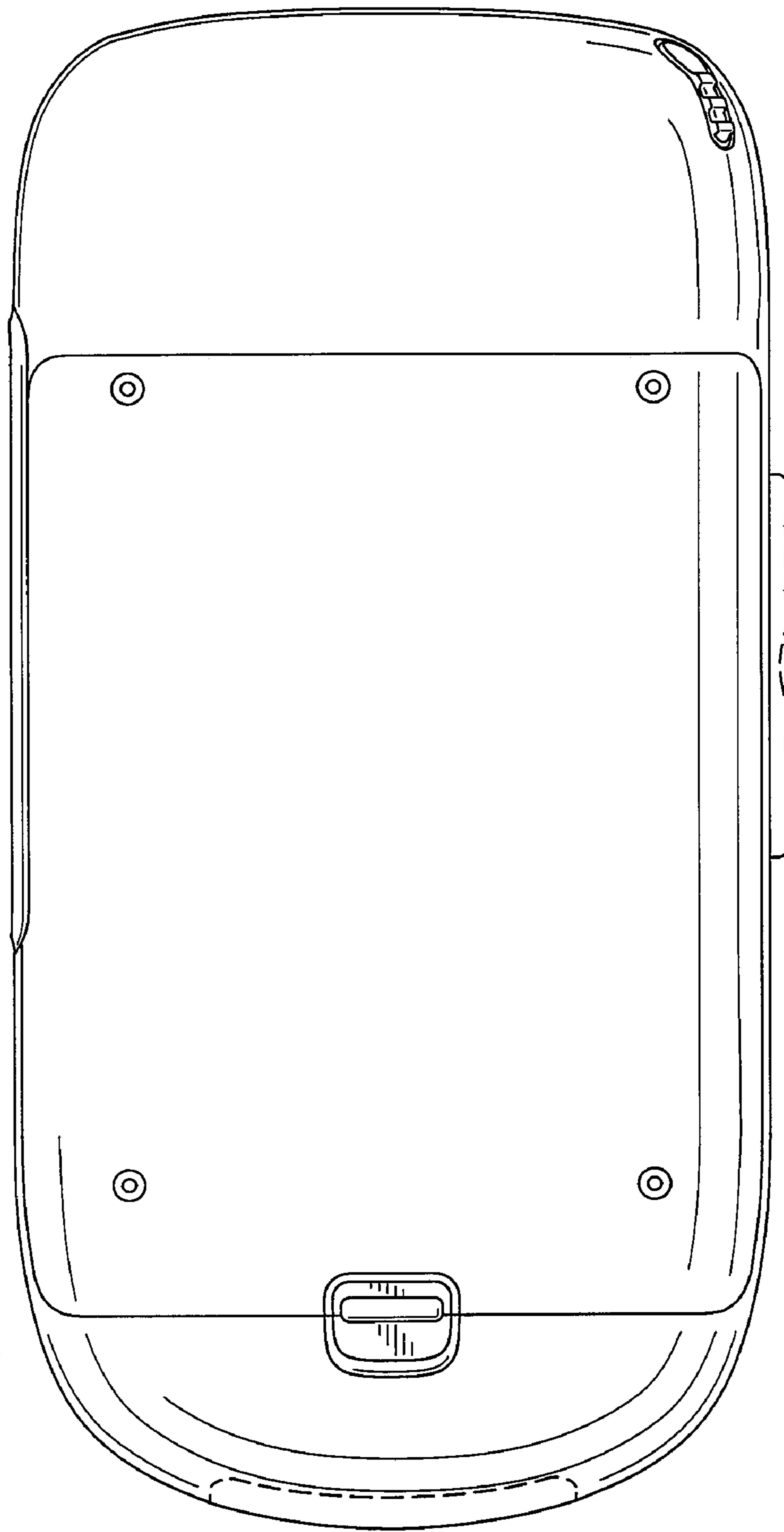


FIG. 3

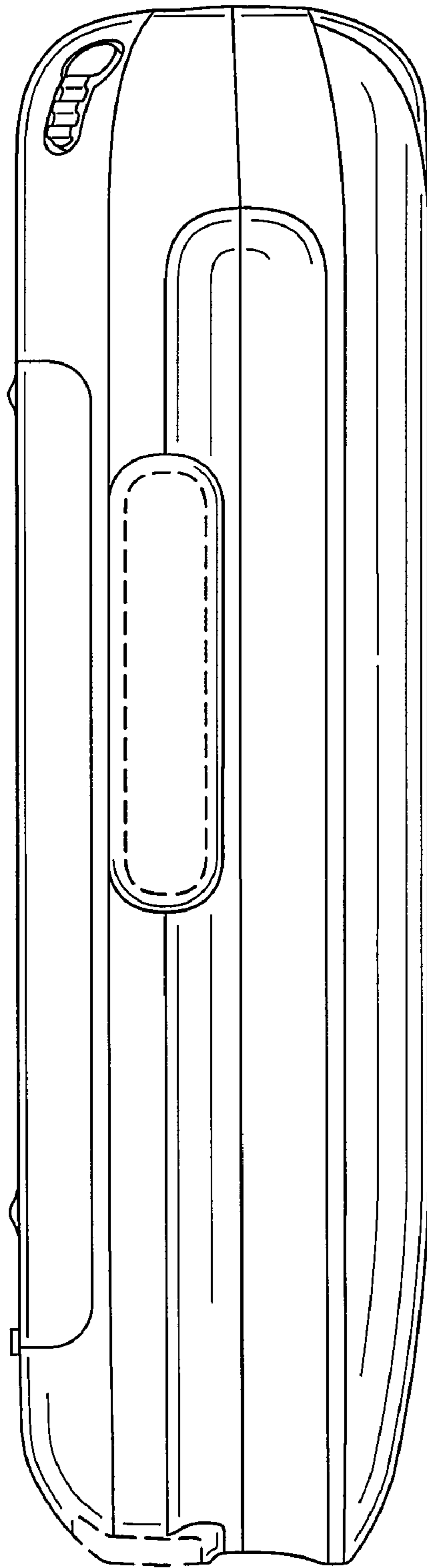


FIG. 4

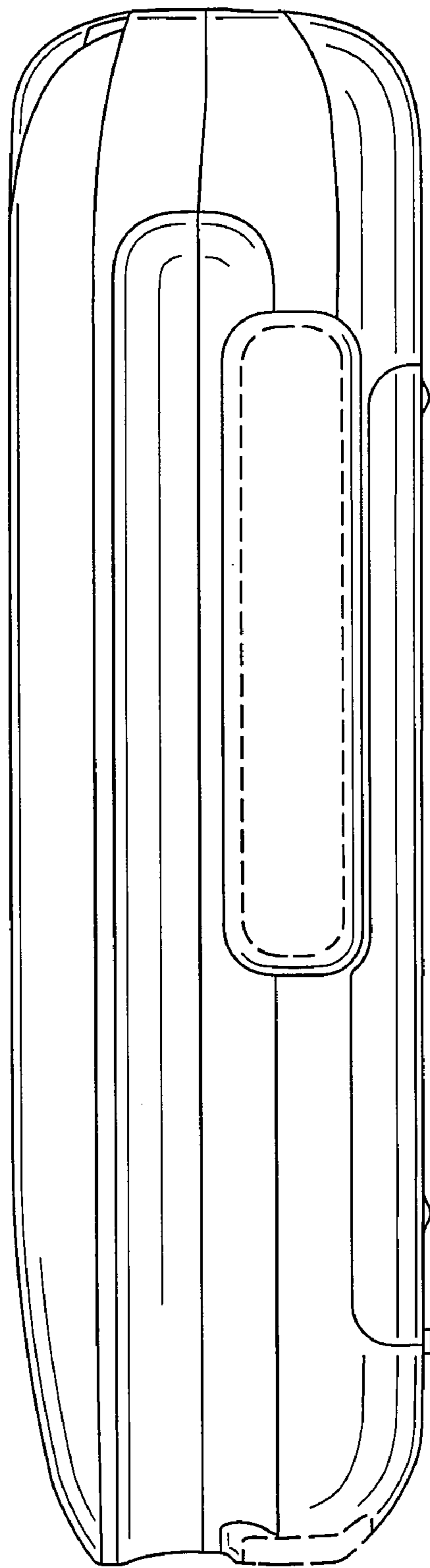


FIG. 5

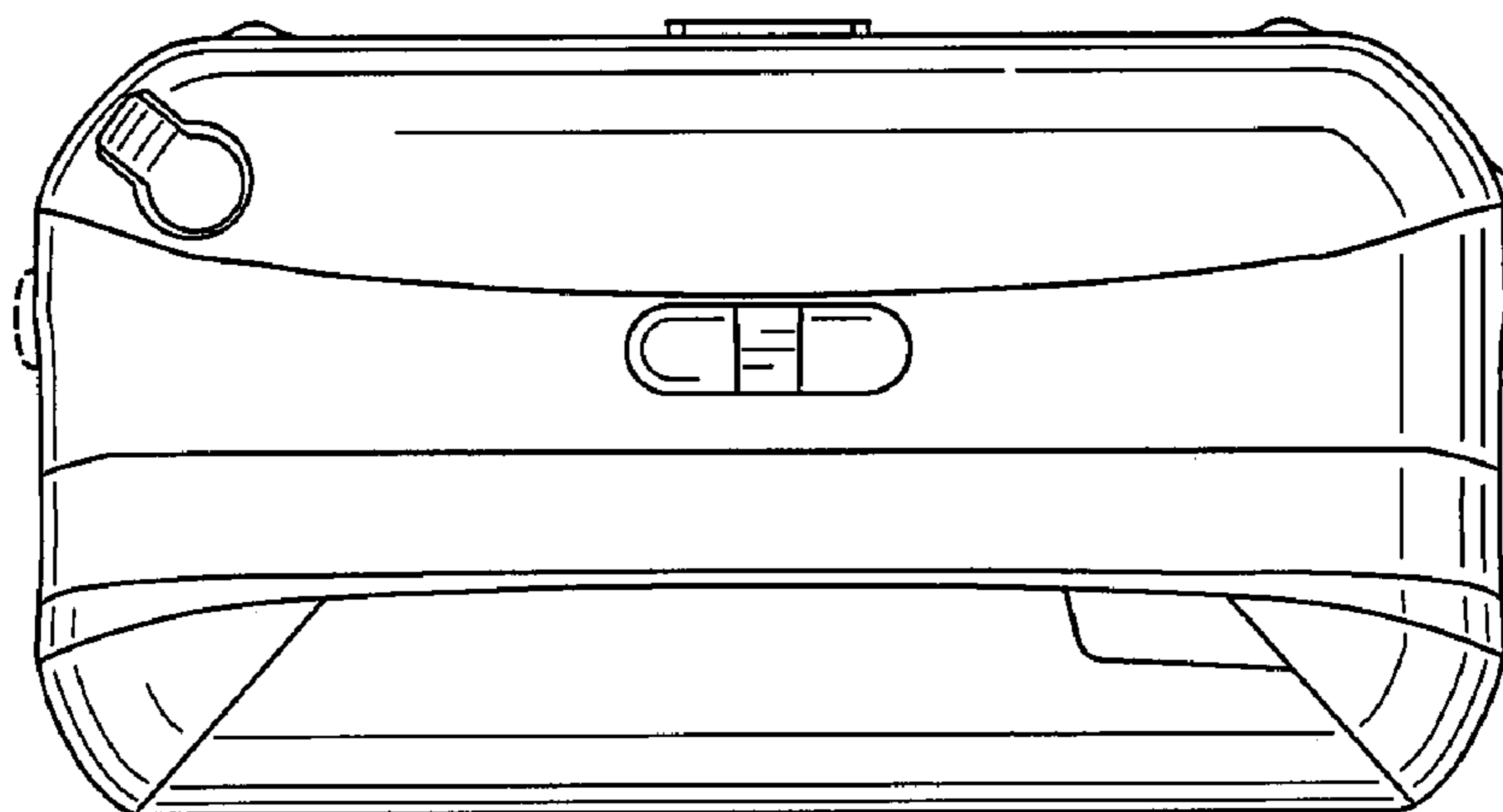


FIG. 6

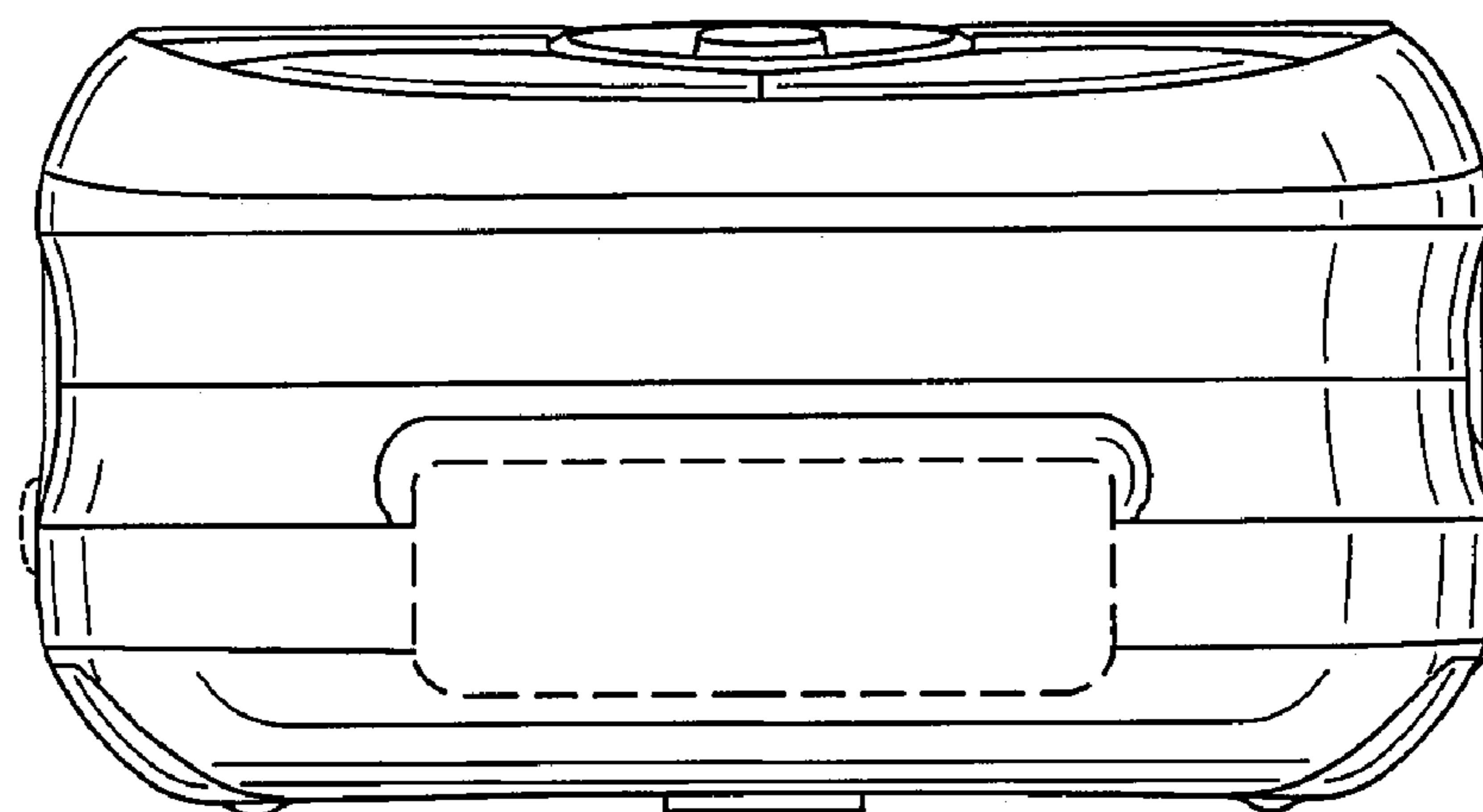


FIG. 7

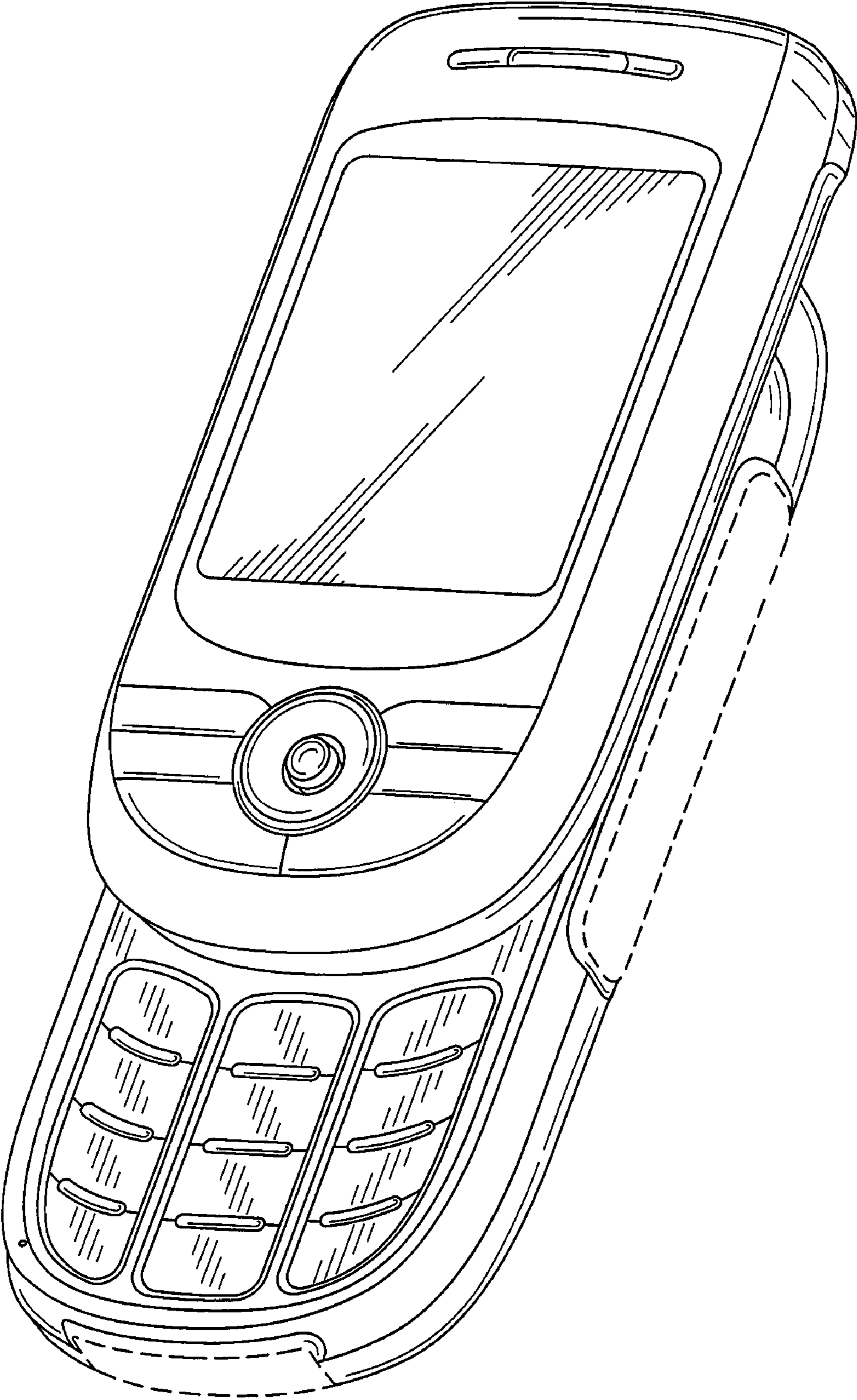


FIG. 8

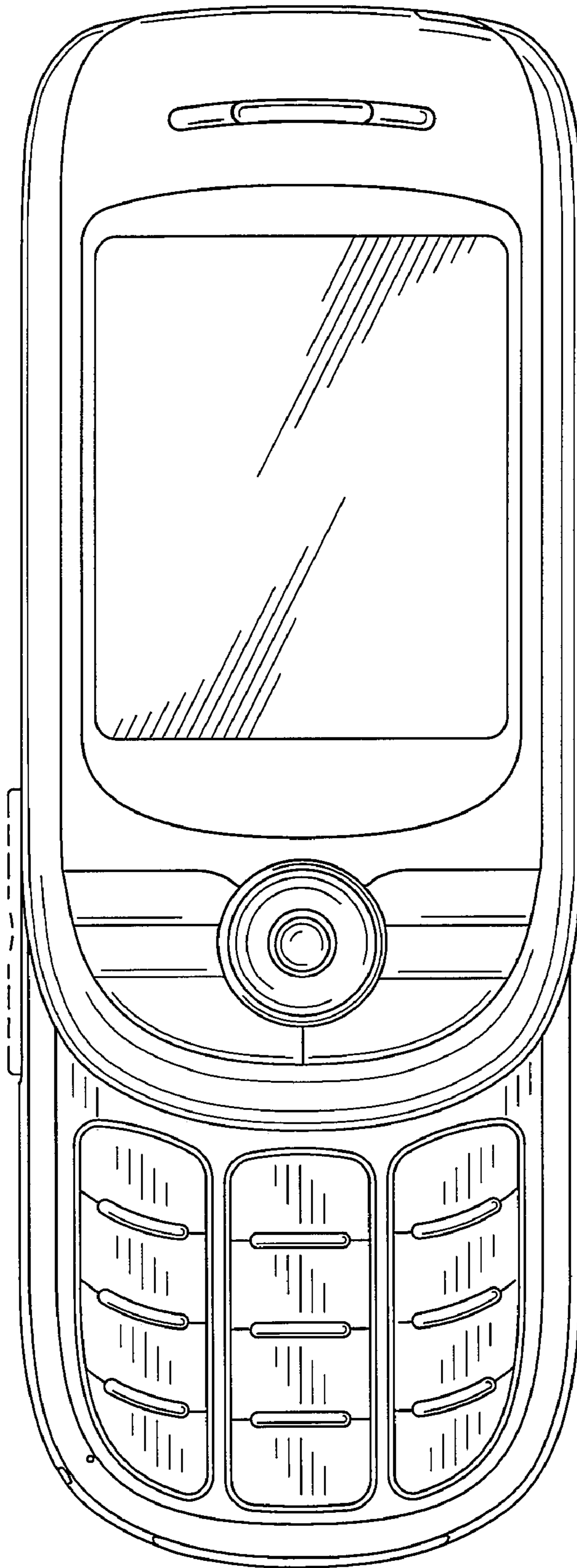


FIG. 9

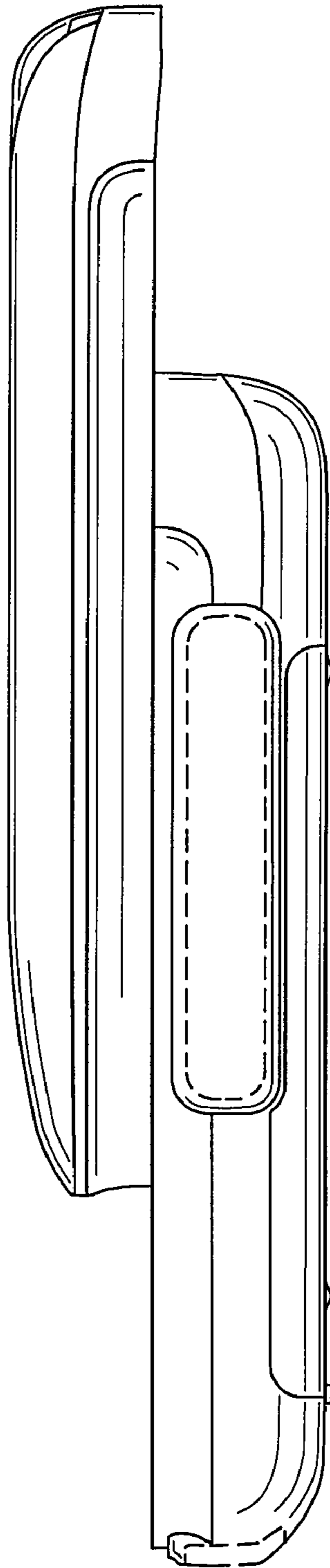


FIG. 10