



US00D560197S

(12) **United States Design Patent**
Kim et al.

(10) **Patent No.:** **US D560,197 S**
(45) **Date of Patent:** **** Jan. 22, 2008**

(54) **PORTABLE TELEPHONE**

(75) Inventors: **Young-Se Kim**, Palo Alto, CA (US);
Chi-Young Ahn, Seoul (KR);
Young-Ju Yeo, Seoul (KR);
Chang-Hwan Hwang, Seoul (KR)

(73) Assignee: **Samsung Electronics Co., Ltd.**,
Kyunggi-do (KR)

(**) Term: **14 Years**

(21) Appl. No.: **29/272,193**

(22) Filed: **Feb. 2, 2007**

(51) **LOC (8) Cl.** **14-03**

(52) **U.S. Cl.** **D14/138**

(58) **Field of Classification Search** D14/137,
D14/138, 144, 147, 148, 150, 156, 167, 191,
D14/218, 240, 247-248, 341-347, 496; D10/65,
D10/104; D13/168; D16/208; D18/7; 455/90.3,
455/556.1, 556.2, 575.1, 575.3, 575.4; 379/433.01-433.13;
361/814; 348/14.02

See application file for complete search history.

(56) **References Cited**

U.S. PATENT DOCUMENTS

D310,071 S *	8/1990	Kit	D14/315
D310,543 S *	9/1990	Brown	D14/345
D319,223 S *	8/1991	Pierce et al.	D14/345
D345,346 S *	3/1994	Alfonso et al.	D14/341
D361,552 S *	8/1995	Iino	D14/341
D363,468 S *	10/1995	Mieki et al.	D14/342
D368,468 S *	4/1996	Kobayashi	D14/388
D377,189 S *	1/1997	Komuta et al.	D14/345
D430,117 S *	8/2000	Sachs et al.	D14/345
6,567,677 B1 *	5/2003	Sokoloff	455/575.1
D487,742 S *	3/2004	Huang et al.	D14/341
D488,468 S *	4/2004	Hu	D14/341
D505,428 S *	5/2005	Yagihashi	D14/496

FOREIGN PATENT DOCUMENTS

WO DM/056639 * 7/2001

OTHER PUBLICATIONS

Koridy XP3000 Electronic Dictionary, [online], [retrieved on Aug. 22, 2007]. Retrieved from Internet ,<URL: http://images.google.com>.*

Sharp RD-CMP2000R, posted Oct. 10, 2006, [online], [retrieved on Aug. 22, 2007]. Retrieved from Internet ,<URL: http://www.mobilewhack.com>.*

Sharp RD-9100MP, [online], [retrieved on Aug. 22, 2007]. Retrieved from Internet ,<URL: http://www.engadget.com>.*

U.S. Appl. No. 29/227,258, Applicant: Min-Ah Koh, et al., filed Apr. 8, 2005 entitled Portable Telephone.

Samsung Serene, announced Oct. 2005, [online], [retrieved on Apr. 6, 2007] . Retrieved from Internet, <URL:http://www.gsmarena.com>.

* cited by examiner

Primary Examiner—Jeffrey Asch

Assistant Examiner—Bridget L Eland

(74) *Attorney, Agent, or Firm*—Flynn, Thiel, Boutell & Tanis, P.C.

(57) **CLAIM**

The ornamental design for a portable telephone, as shown and described.

DESCRIPTION

FIG. 1 is a top front perspective view of a portable telephone showing our new design;

FIG. 2 is a front elevational view thereof;

FIG. 3 is a rear elevational view thereof;

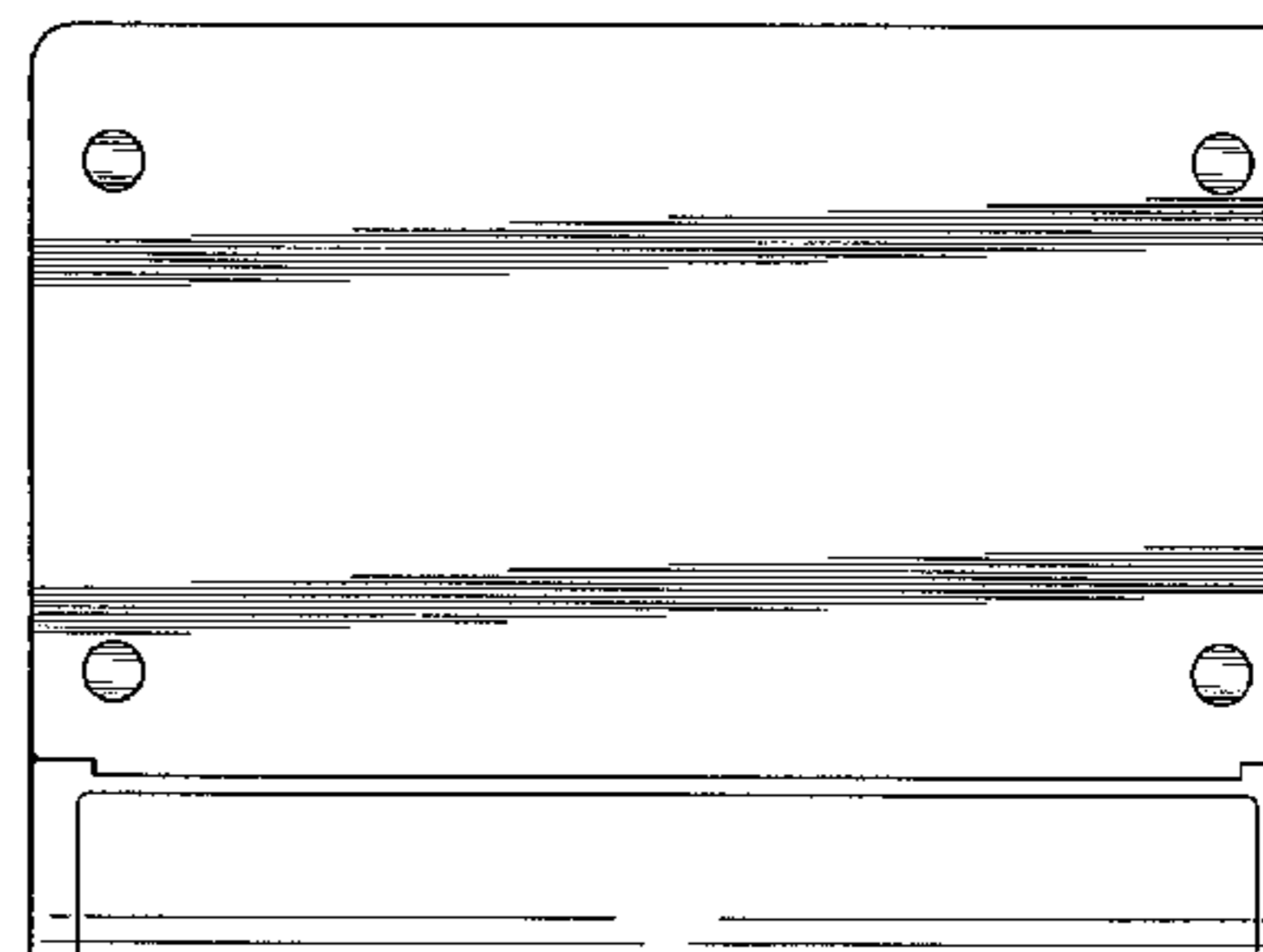
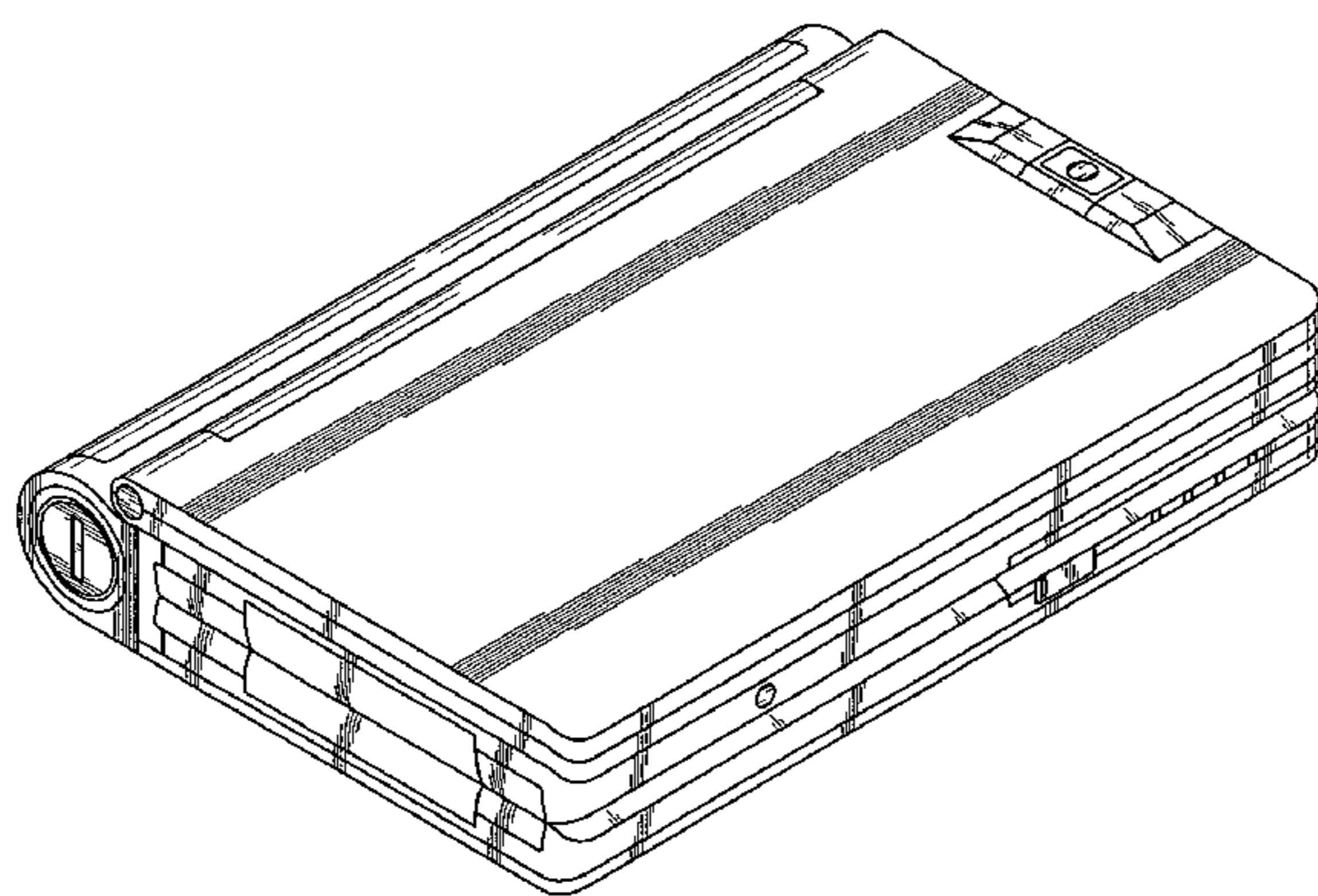
FIG. 4 is a left side elevational view thereof;

FIG. 5 is a right side elevational view thereof;

FIG. 6 is a top plan view thereof; and,

FIG. 7 is a bottom plan view thereof.

1 Claim, 4 Drawing Sheets



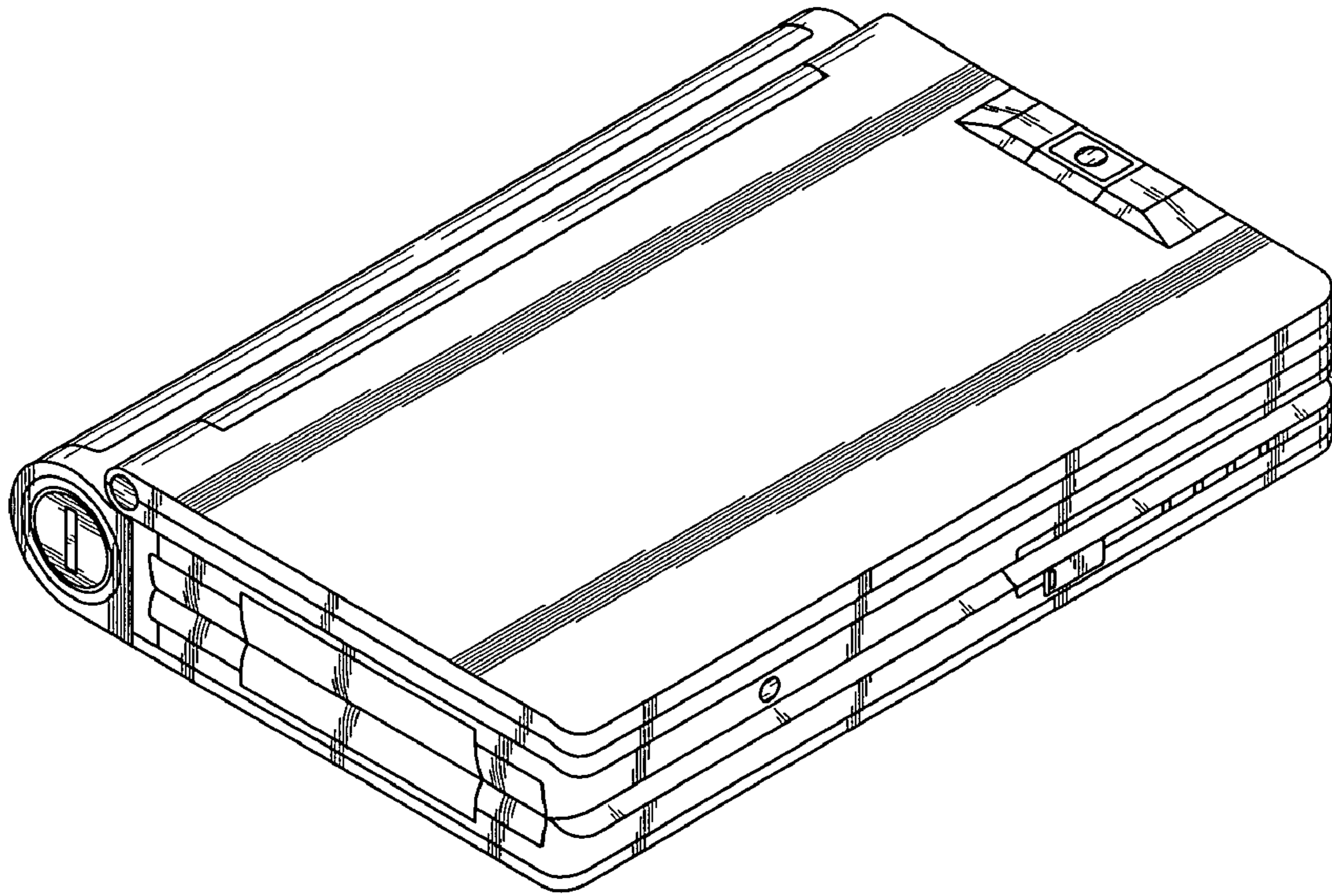


FIG. 1

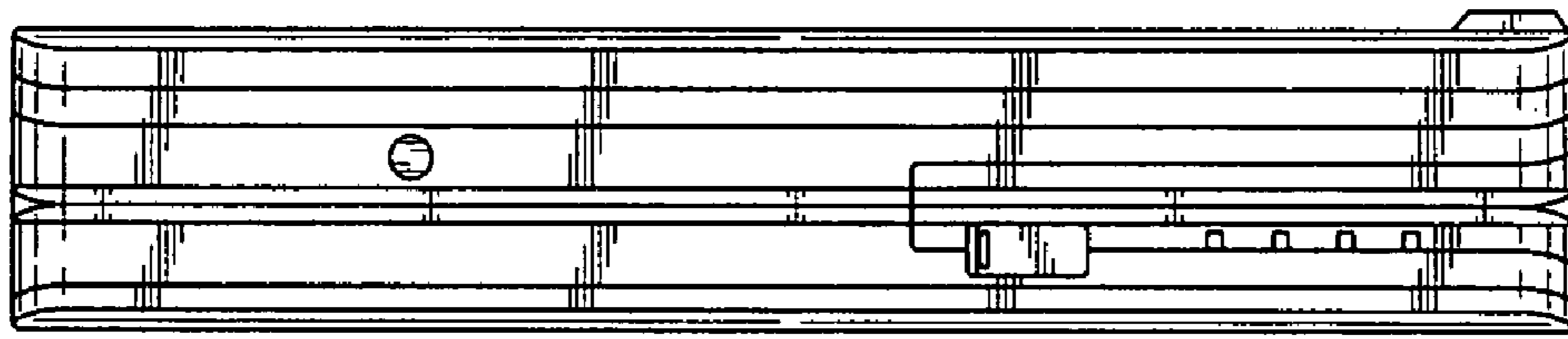


FIG. 2

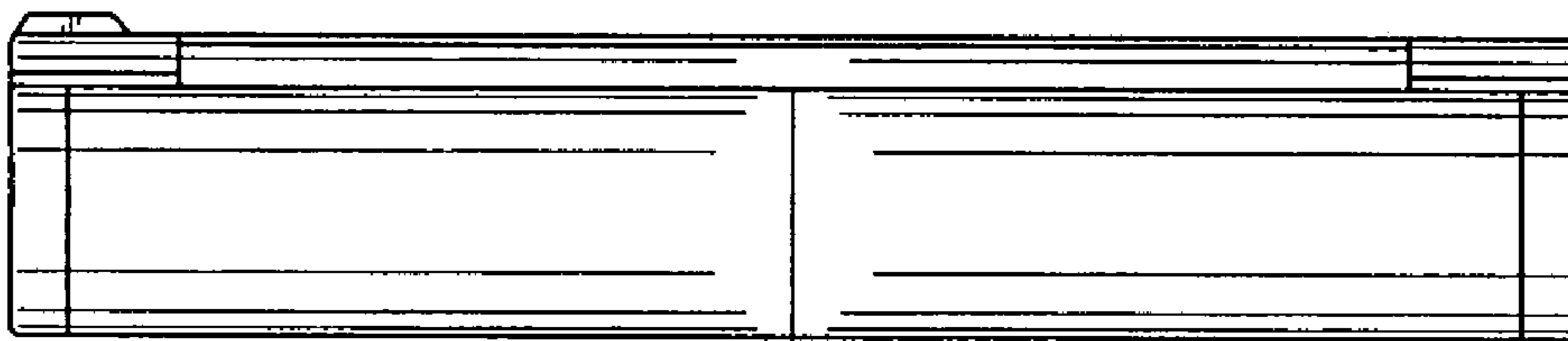


FIG. 3

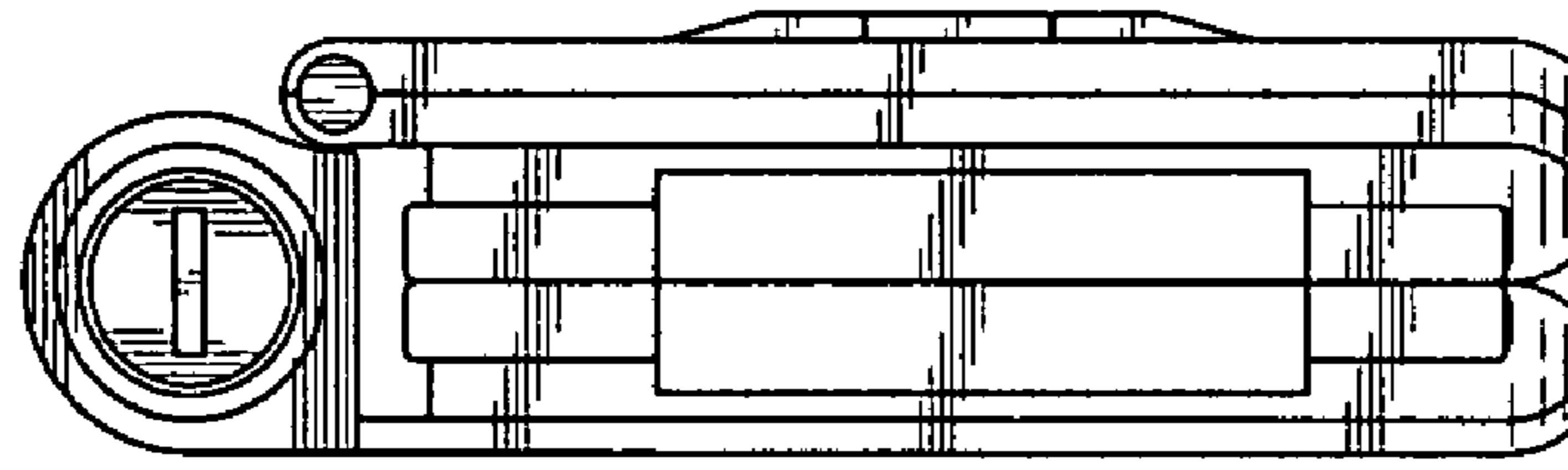


FIG. 4



FIG. 5

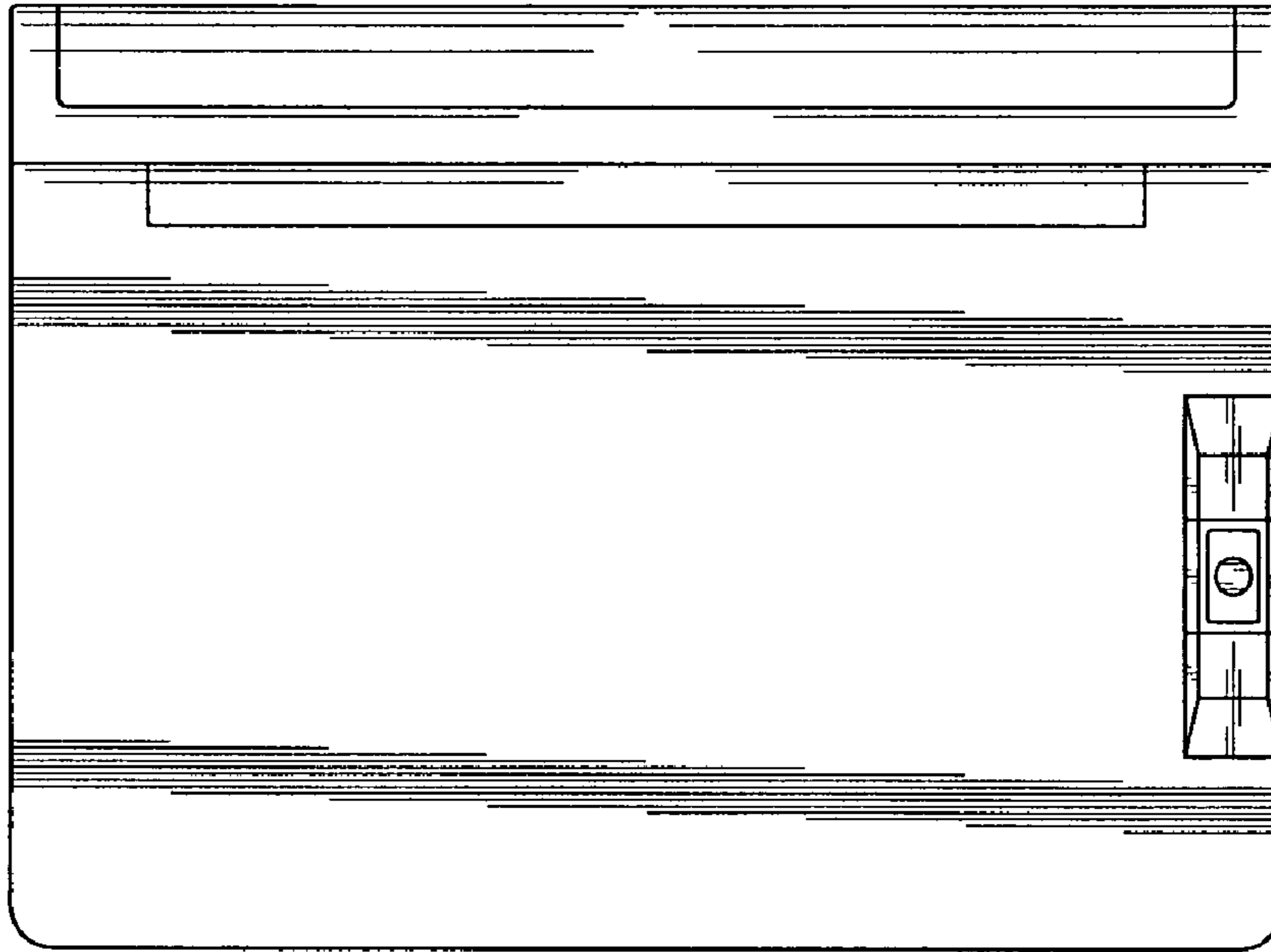


FIG. 6

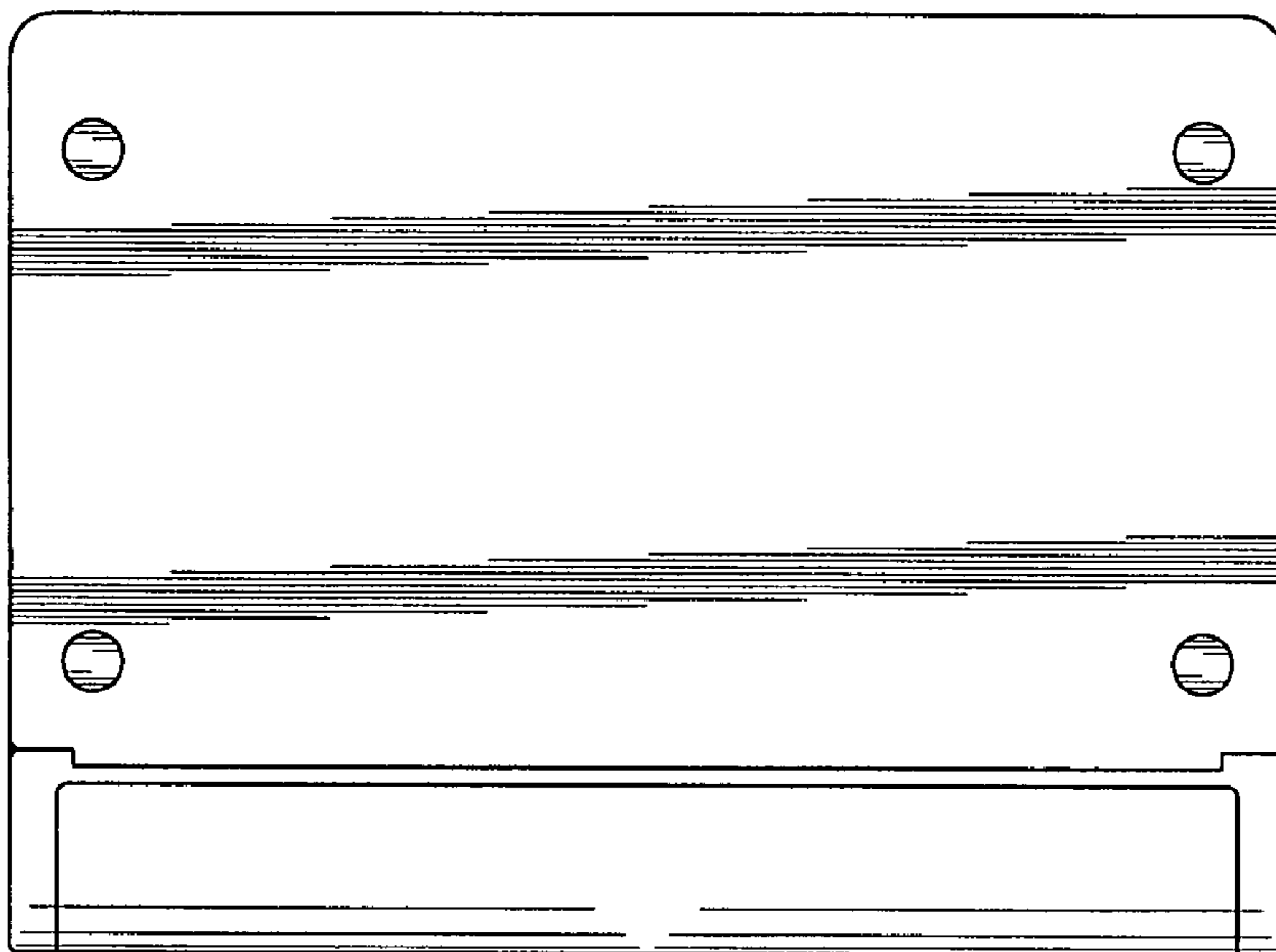


FIG. 7