

US00D560185S

(12) **United States Design Patent**
Di et al.

(10) **Patent No.: US D560,185 S**
(45) **Date of Patent: ** Jan. 22, 2008**

(54) **HANDSET**

D542,258 S * 5/2007 Park et al. D14/138
2006/0111052 A1* 5/2006 Gartrell 455/90.3

(75) Inventors: **Tao Di**, Beijing (CN); **William Yau**,
Beijing (CN); **Antti Kujala**, Helsinki
(FI)

FOREIGN PATENT DOCUMENTS

(73) Assignee: **Nokia Corporation**, Espoo (FI)

JP 1244124 6/2005
WO DM/065946 * 9/2004
WO DM/066301 * 12/2004
WO DM/066 146 1/2005

(**) Term: **14 Years**

OTHER PUBLICATIONS

(21) Appl. No.: **29/243,549**

“LG G1800”, 2 pp including photos, [online], <URL:http://www.gsmarena.com/lg_g1800-942.php>, announced 4Q 2004, retrieved May 25, 2007.*

(22) Filed: **Nov. 28, 2005**

* cited by examiner

(30) **Foreign Application Priority Data**

May 27, 2005 (FI) M20050090

Primary Examiner—Ian Simmons
Assistant Examiner—Carla Jobe Wright

(51) **LOC (8) Cl.** **14-03**

(52) **U.S. Cl.** **D14/138**

(58) **Field of Classification Search** D14/137–138,
D14/147–148, 156, 218, 247–248, 341–347,
D14/496, 390, 399; D16/208; D21/329,
D21/331, 333, 517; 348/14.01–14.02; 361/814;
379/433.01–433.13; 455/556.1–556.2, 575.1,
455/575.3, 575.4, 566, 90.3; D13/164, 168;
439/165

(74) *Attorney, Agent, or Firm*—Banner & Witcoff, Ltd

See application file for complete search history.

(57) **CLAIM**

The ornamental design for a handset, as shown and described.

(56) **References Cited**

U.S. PATENT DOCUMENTS

D484,475 S * 12/2003 Sheu D14/138
D487,438 S * 3/2004 Sheu D14/138
D492,274 S * 6/2004 Widiaman D14/138
D522,988 S * 6/2006 Sheu D14/138
D523,834 S * 6/2006 Liao D14/138
D524,781 S * 7/2006 Lyles D14/138
D525,228 S * 7/2006 Kim et al. D14/138
D532,767 S * 11/2006 Yoshino et al. D14/138
D538,250 S * 3/2007 Choi et al. D14/138
D538,770 S * 3/2007 Lyles D14/138
D541,781 S * 5/2007 Chen D14/138

DESCRIPTION

FIG. 1 is a bottom plan view of a handset showing our new design;

FIG. 2 is a right side view thereof;

FIG. 3 is a front view thereof;

FIG. 4 is a left side view thereof;

FIG. 5 is a top plan view thereof;

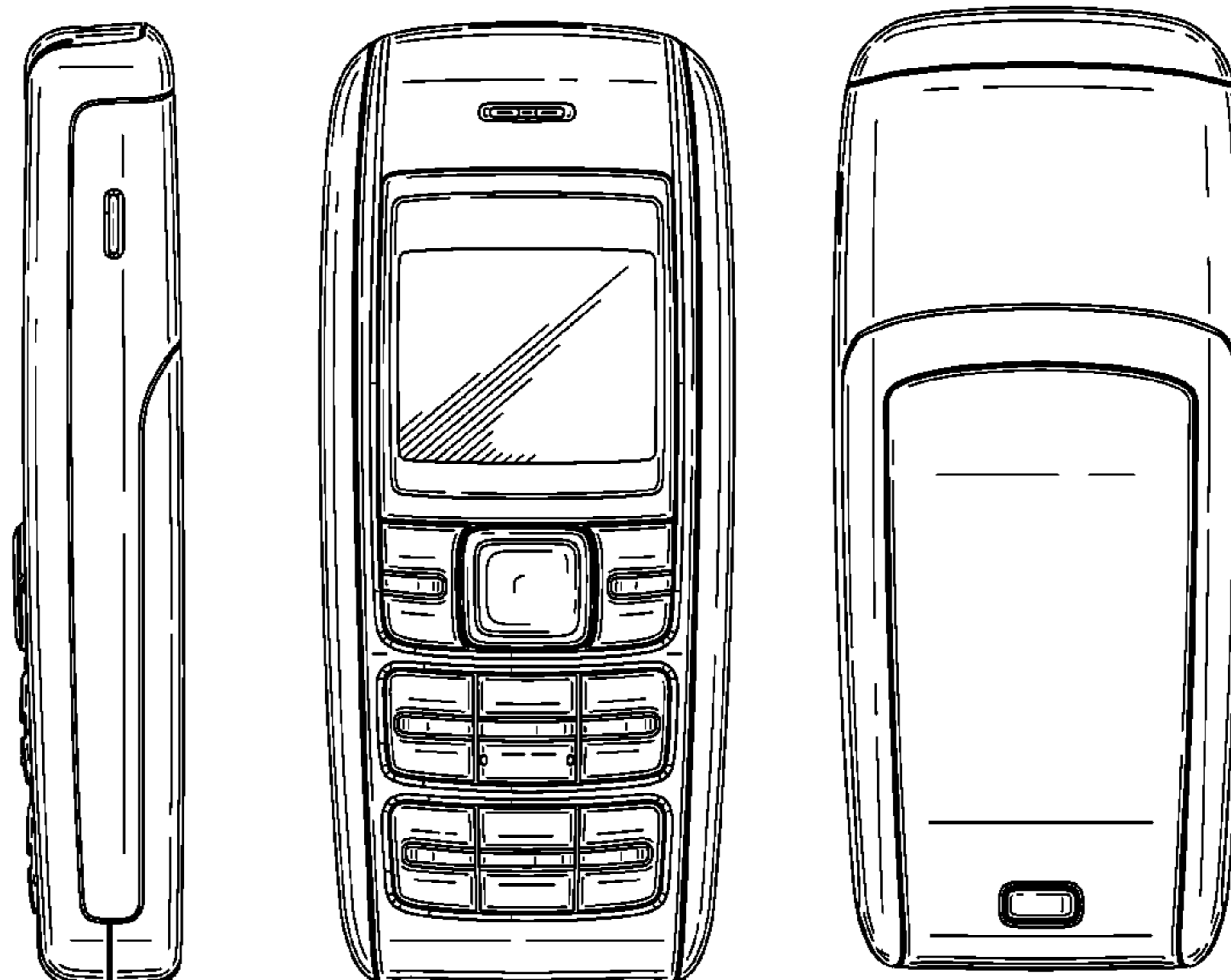
FIG. 6 is a rear view thereof;

FIG. 7 is a perspective front view thereof; and,

FIG. 8 is a perspective rear view thereof.

The broken line showing of environmental structures is for illustrative purposes only and forms no part of the claimed design.

1 Claim, 3 Drawing Sheets



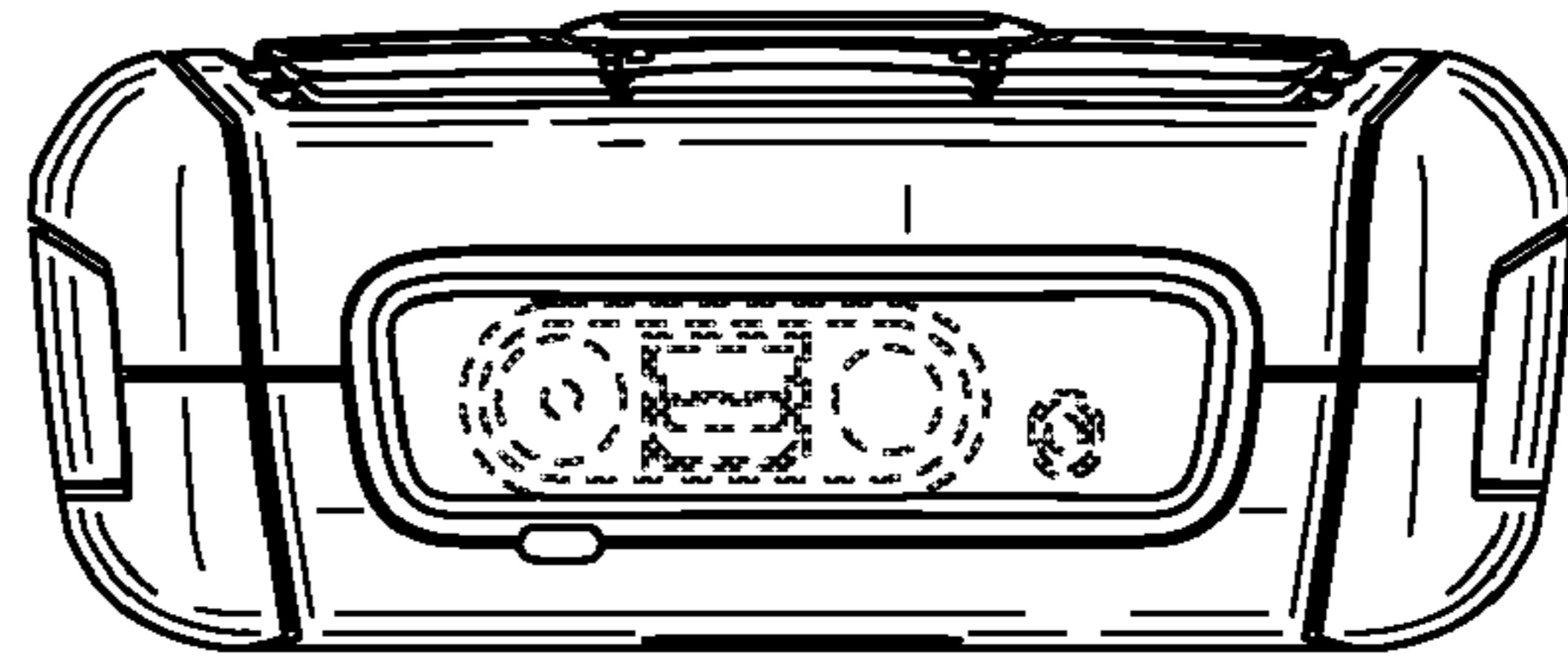


FIG. 1



FIG. 2

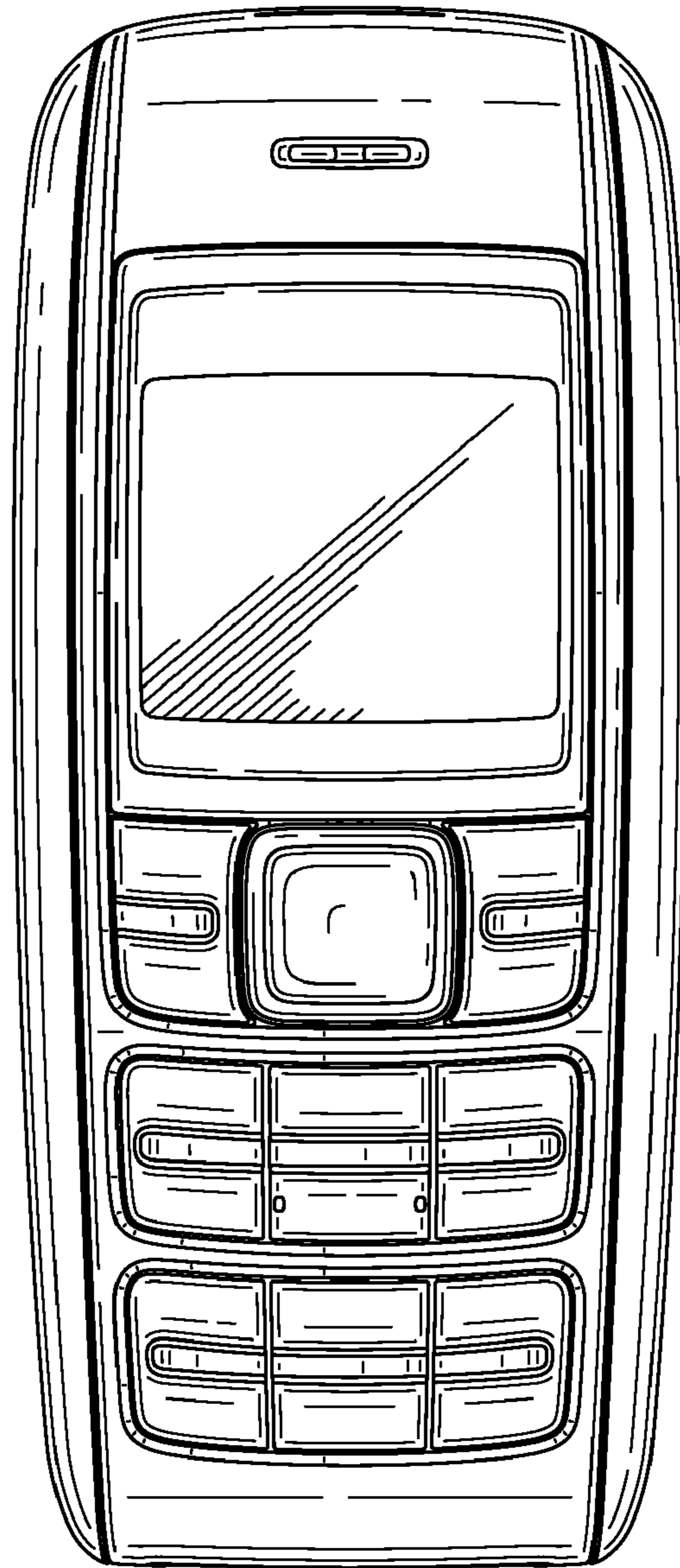


FIG. 3



FIG. 4

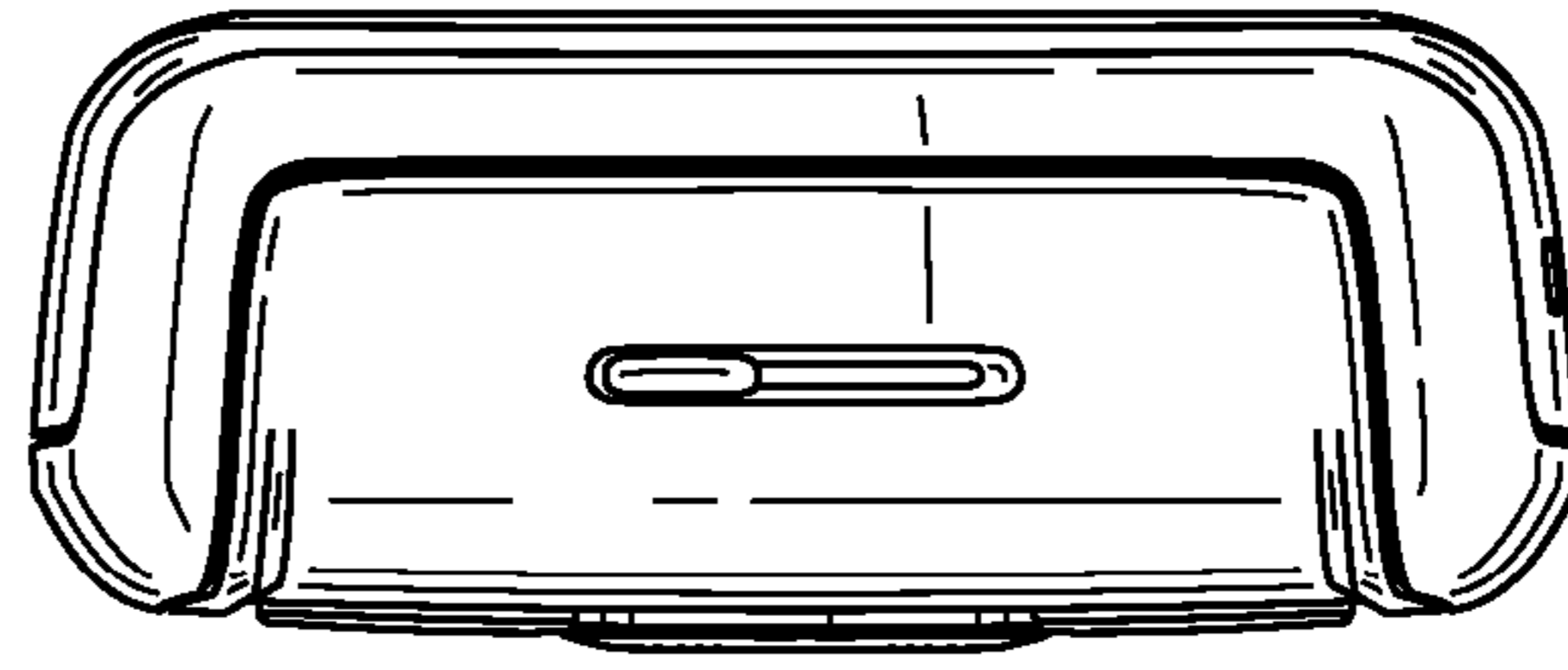


FIG. 5

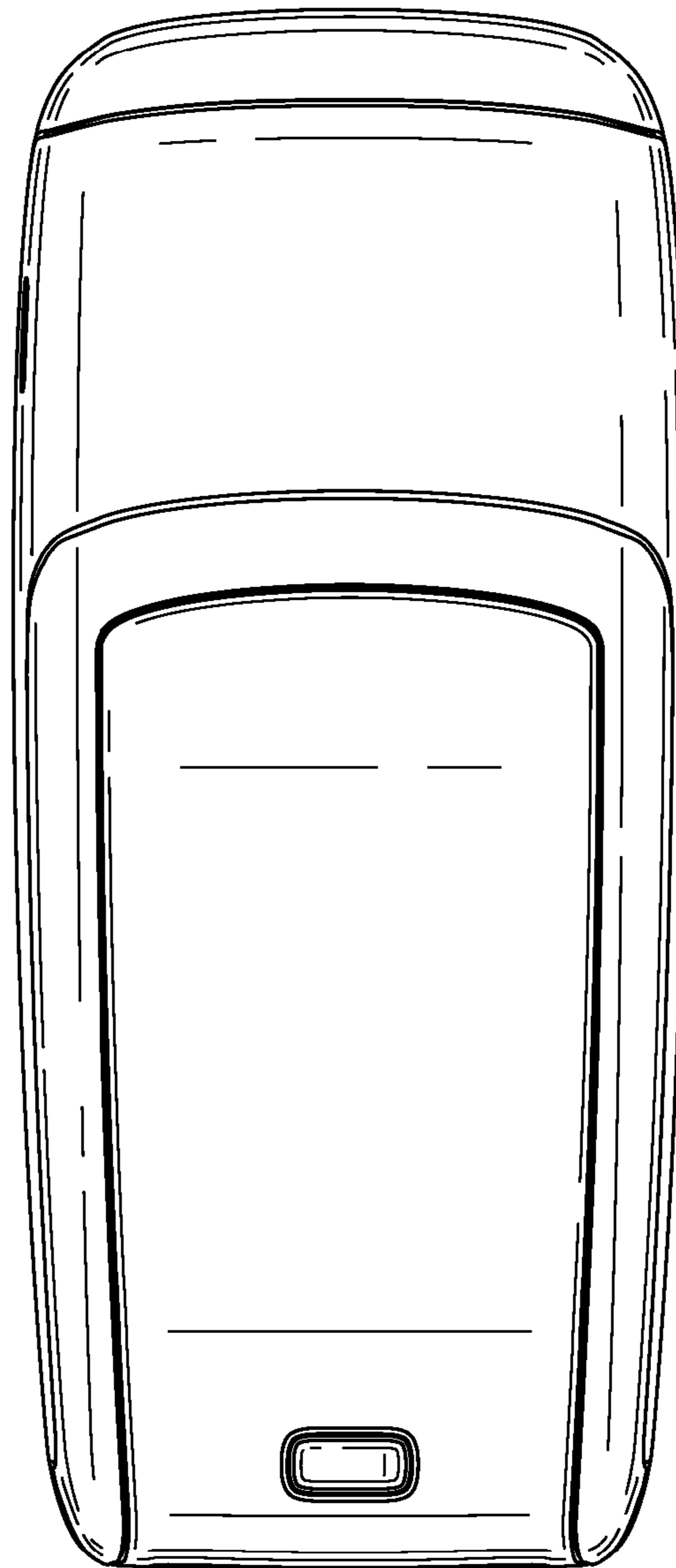


FIG. 6

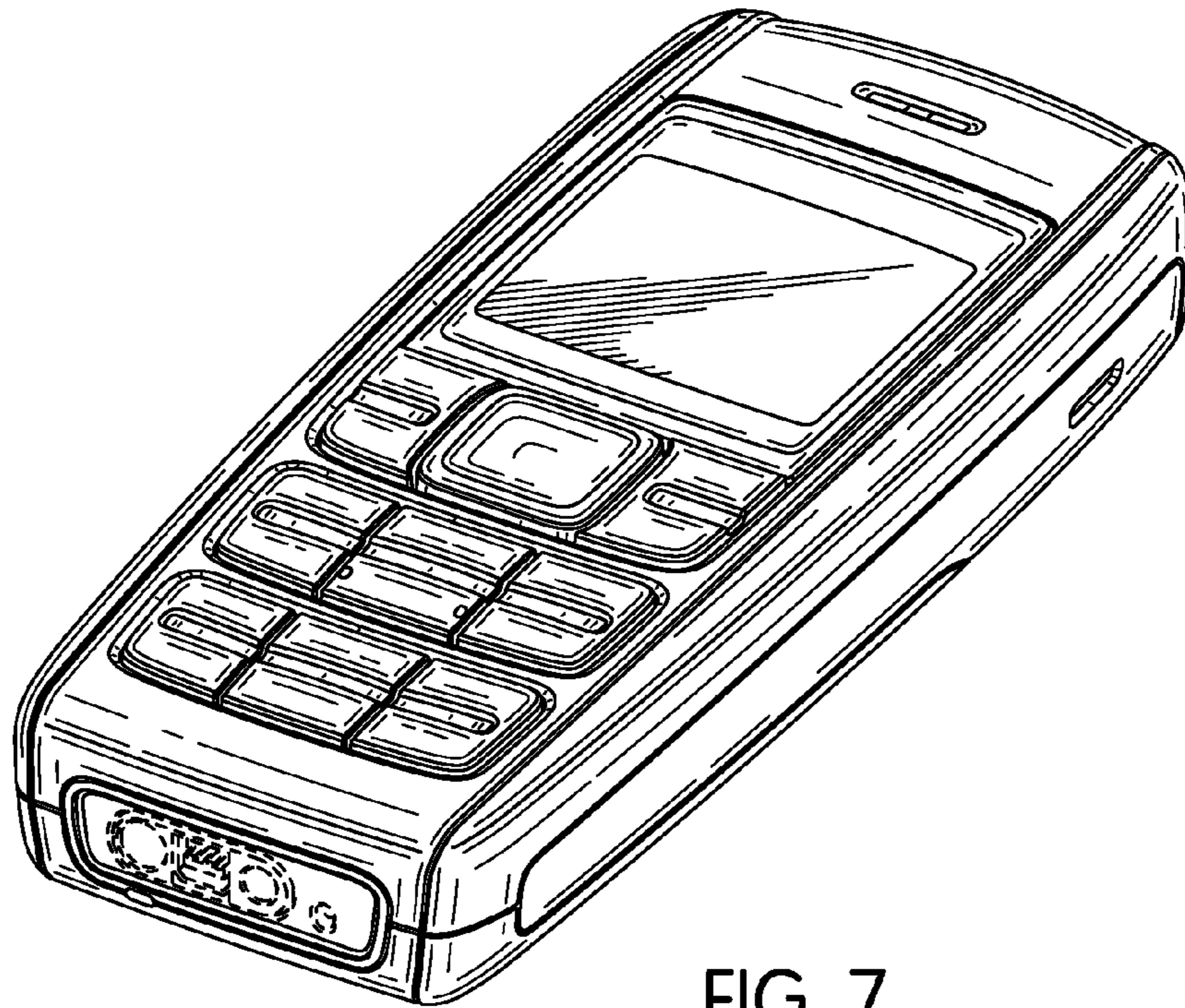


FIG. 7

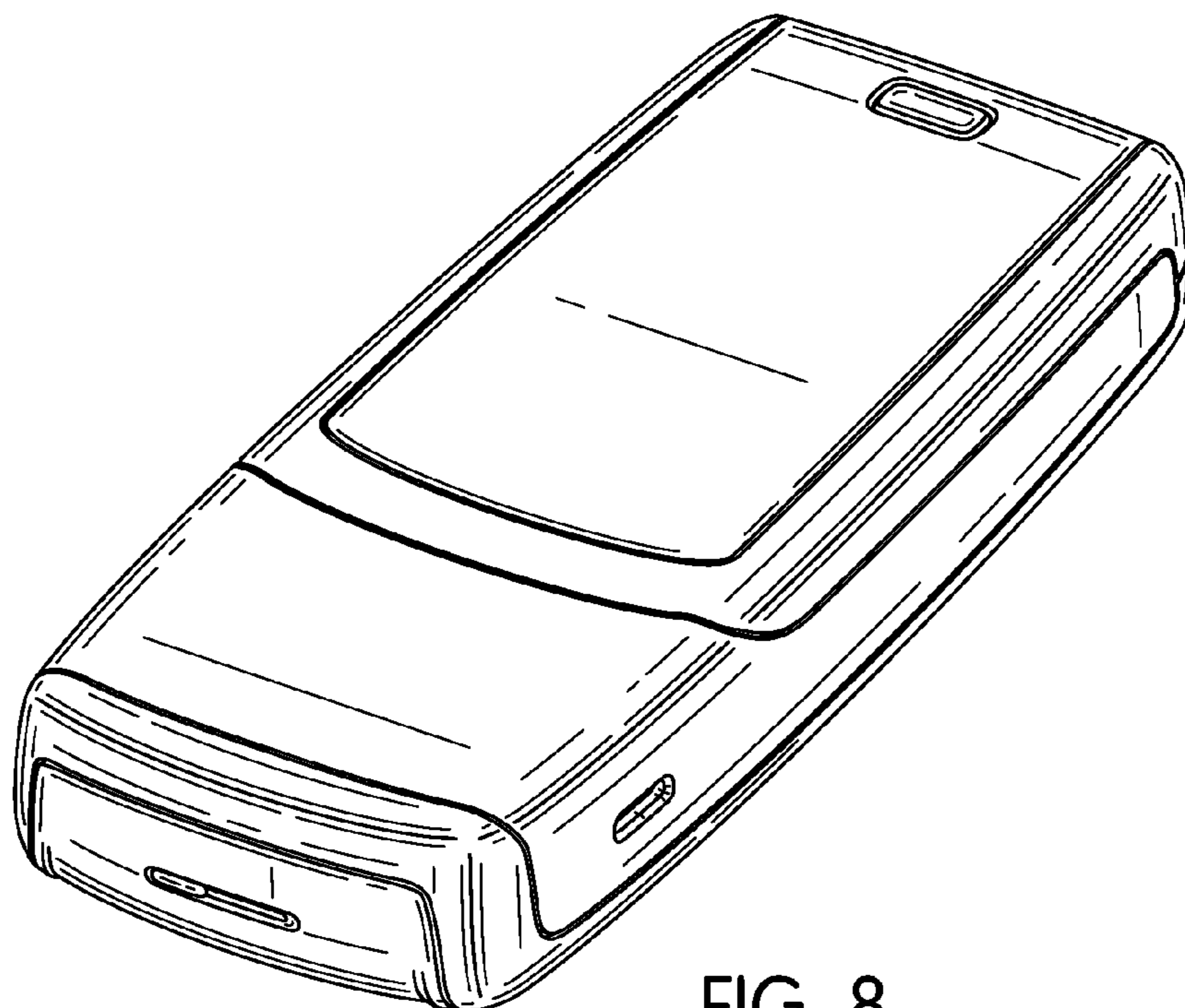


FIG. 8