



US00D560184S

(12) **United States Design Patent**  
**Hunt et al.**

(10) **Patent No.:** **US D560,184 S**  
(45) **Date of Patent:** **\*\* Jan. 22, 2008**

(54) **PORTABLE COMMUNICATIONS DEVICE**

(75) Inventors: **Charles Hunt**, Wake Forest, NC (US);  
**Elliott Hsu**, Raleigh, NC (US)

(73) Assignee: **Sony Ericsson Mobile Communications AB**, Lund (SE)

(\*\*) Term: **14 Years**

(21) Appl. No.: **29/235,050**

(22) Filed: **Jul. 27, 2005**

(51) **LOC (8) Cl.** ..... **14-03**

(52) **U.S. Cl.** ..... **D14/138**

(58) **Field of Classification Search** ..... D14/496,  
D14/138, 341-347; 455/575.3, 575.1; D21/517  
See application file for complete search history.

(56) **References Cited**

**U.S. PATENT DOCUMENTS**

D490,792 S \* 6/2004 Lee ..... D14/138

(Continued)

**FOREIGN PATENT DOCUMENTS**

JP 805597 \* 1/1991  
TW 000318621-0001 5/2005  
WO DM/064560 \* 10/2003

**OTHER PUBLICATIONS**

Nokia 2760 telephone, announced May 2007, [online], [retrieved on May 9, 2007.]. Retrieved from Internet, <URL: <http://www.gsmarena.com>>.\*

(Continued)

*Primary Examiner*—Jeffrey Asch

(74) *Attorney, Agent, or Firm*—Myers Bigel Sibley & Sajovec, P.A.

(57) **CLAIM**

The ornamental design for a portable communications device, as shown and described.

**DESCRIPTION**

FIG. 1 is a front view of a portable communications device in a closed configuration showing our design;

FIG. 2 is rear view thereof;

FIG. 3 is a side view thereof;

FIG. 4 is an opposing side view thereof;

FIG. 5 is a top end view thereof;

FIG. 6 is a bottom end view thereof;

FIG. 7 is a front view of the portable communications device of FIGS. 1-6 shown in an open configuration;

FIG. 8 is a rear view thereof;

FIG. 9 is a side view thereof;

FIG. 10 is an opposing side view thereof;

FIG. 11 is a front view of a second embodiment of the portable communications device in a closed configuration showing our design;

FIG. 12 is rear view thereof;

FIG. 13 is a side view thereof;

FIG. 14 is an opposing side view thereof;

FIG. 15 is a top end view thereof;

FIG. 16 is a bottom end view thereof;

FIG. 17 is a front view of the portable communications device of FIGS. 11-16 shown in an open configuration;

FIG. 18 is a rear view thereof;

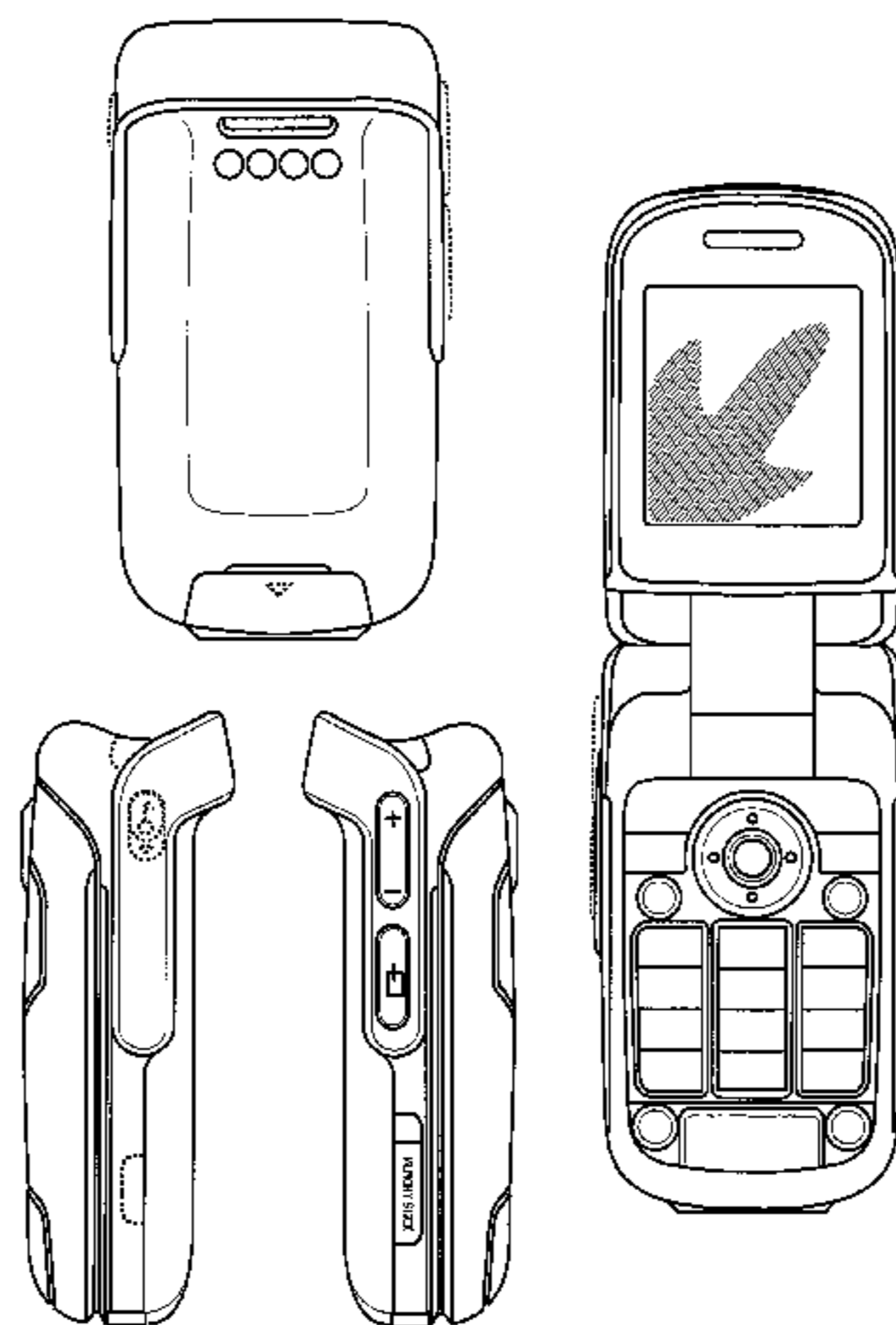
FIG. 19 is a side view thereof; and,

FIG. 20 is an opposing side view thereof.

The broken lines shown in FIGS. 1-10, 14, and 20, that are immediately adjacent to the shaded areas and encompass non-shaded regions, represent the bounds of the claimed design in the embodiment in which they are shown, while all other broken lines are directed to environment and are for illustrative purposes only; the broken lines form no part of the claimed design in the embodiment in which they are shown.

The illustrated device is not limited to the scale shown.

**1 Claim, 10 Drawing Sheets**



U.S. PATENT DOCUMENTS

D496,014	S	*	9/2004	Lodato et al.	.....	D14/138
D496,016	S	*	9/2004	Hoo	.....	D14/138
D501,457	S	*	2/2005	Lee et al.	.....	D14/138
D502,457	S	*	3/2005	Eigenstetter et al.	.....	D14/138
D504,670	S	*	5/2005	Lodato et al.	.....	D14/138
D507,553	S	*	7/2005	Gotou et al.	.....	D14/138
D509,816	S	*	9/2005	Kim et al.	.....	D14/138
D513,505	S	*	1/2006	Lee	.....	D14/138
D518,012	S	*	3/2006	Fuxen	.....	D14/138
D526,987	S	*	8/2006	Lee et al.	.....	D14/138
D533,160	S	*	12/2006	Yoo et al.	.....	D14/138
D537,428	S	*	2/2007	Fahlgren	.....	D14/138
D540,770	S	*	4/2007	Park et al.	.....	D14/138
D541,249	S	*	4/2007	Hirano	.....	D14/138
2004/0110540	A1	*	6/2004	Sato et al.	.....	455/566
2005/0075082	A1	*	4/2005	Iwai et al.	.....	455/90.3
2006/0121961	A1	*	6/2006	Cho	.....	455/575.3
2006/0223595	A1	*	10/2006	Kim	.....	455/575.3

OTHER PUBLICATIONS

Sony Ericsson W710 telephone, announced May 2006, [online], [retrieved on May 9, 2007]. Retrieved from Internet , <URL: <http://www.gsmarena.com>>.\*

Sony Ericsson Z520 telephone, announced Jun. 2005, [online], [retrieved on May 16, 2007]. Retrieved from Internet ,<URL: <http://www.gsmarena.com>>.\*

Sony Ericsson Z530 telephone, announced Feb. 2006, [online], [retrieved on May 16, 2007]. Retrieved from Internet ,<URL: <http://www.gsmarena.com>>.\*

Sony Ericsson Z710 telephone, announced May 2006, [online], [retrieved on May 16, 2007]. Retrieved from Internet , <URL: <http://www.gsmarena.com>>.\*

Sony Ericsson Z310 telephone, announced Dec. 2006, [online], [retrieved on May 10, 2007]. Retrieved from Internet , <URL: <http://www.gsmarena.com>>.\*

Siemens CF62 telephone, announced Feb. 2004, [online], [retrieved on May 9, 2007]. Retrieved from Internet ,<URL: <http://www.gsmarena.com>>.\*

Motorola A668 telephone, announced 4<sup>th</sup> quarter 2004, [online], [retrieved on May 16, 2007]. Retrieved from Internet , <URL: <http://www.gsmarena.com>>.\*

Oryl, Michael, *Siemens CF62T Review*, [www.mobileburn.com](http://www.mobileburn.com), 10 pages, printed Sep. 13, 2004.

Z200, [www.sonyericsson.com](http://www.sonyericsson.com), 5 pages, Date Unknown but believed to be before Nov. 2004.

\* cited by examiner

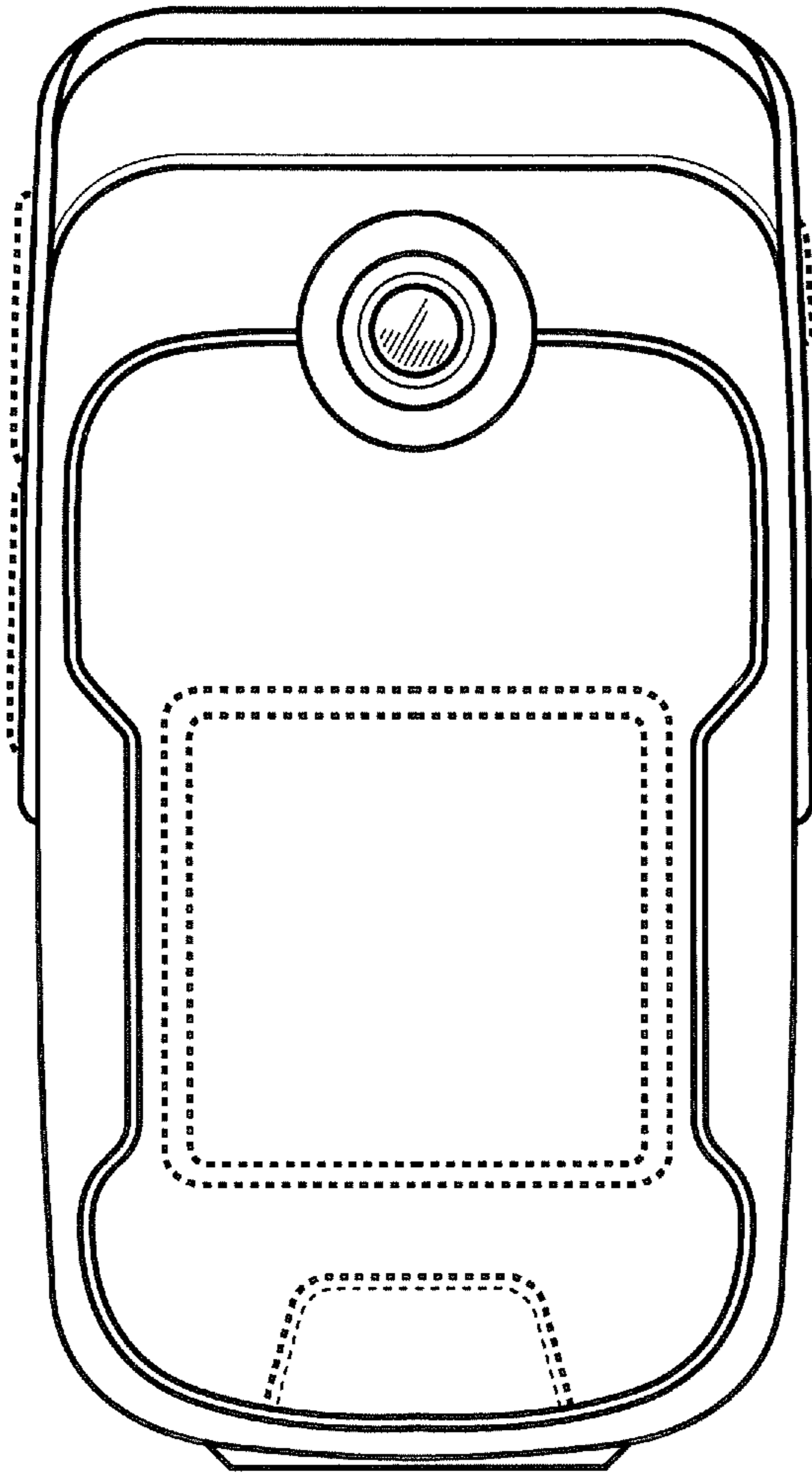


FIG. 1

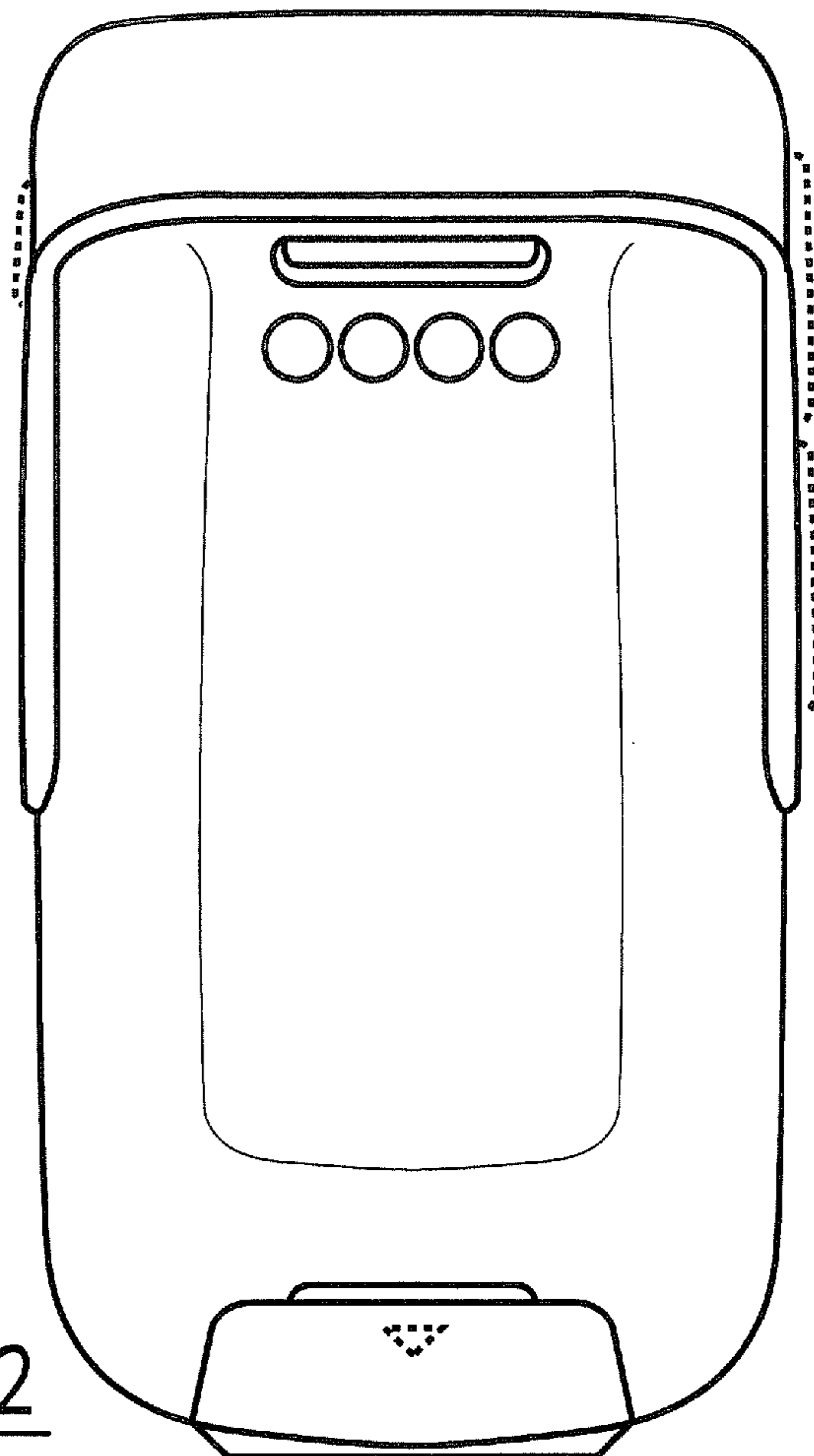


FIG. 2

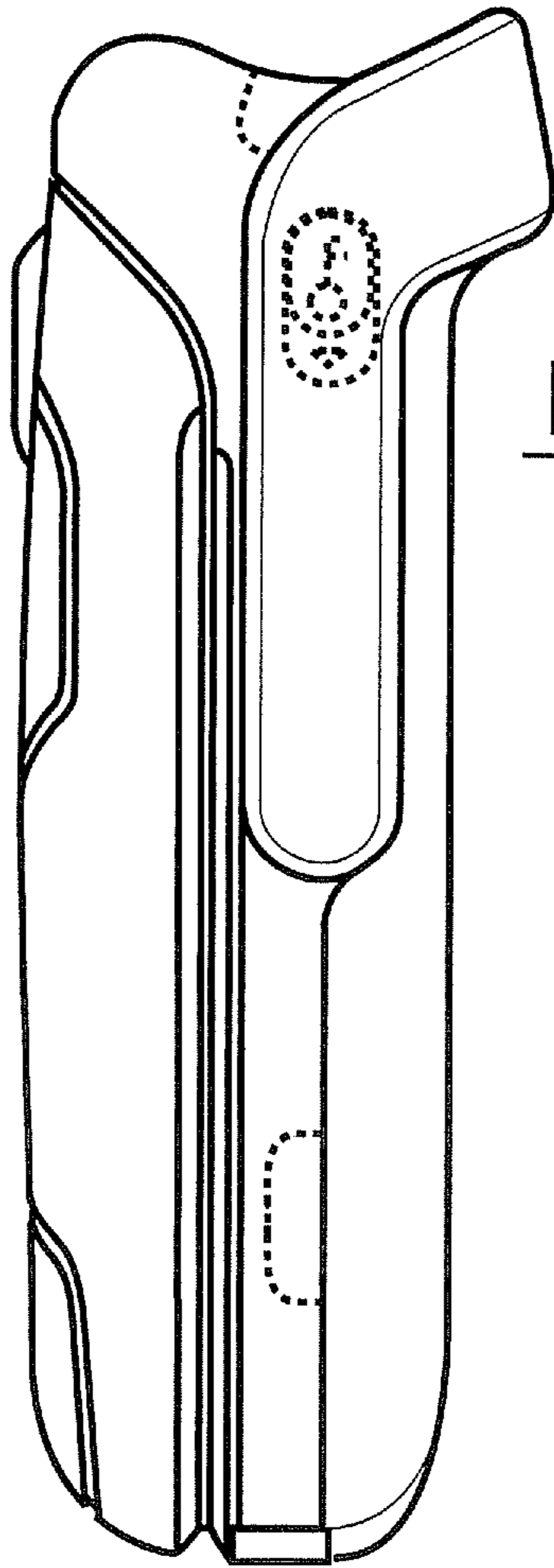


FIG. 3

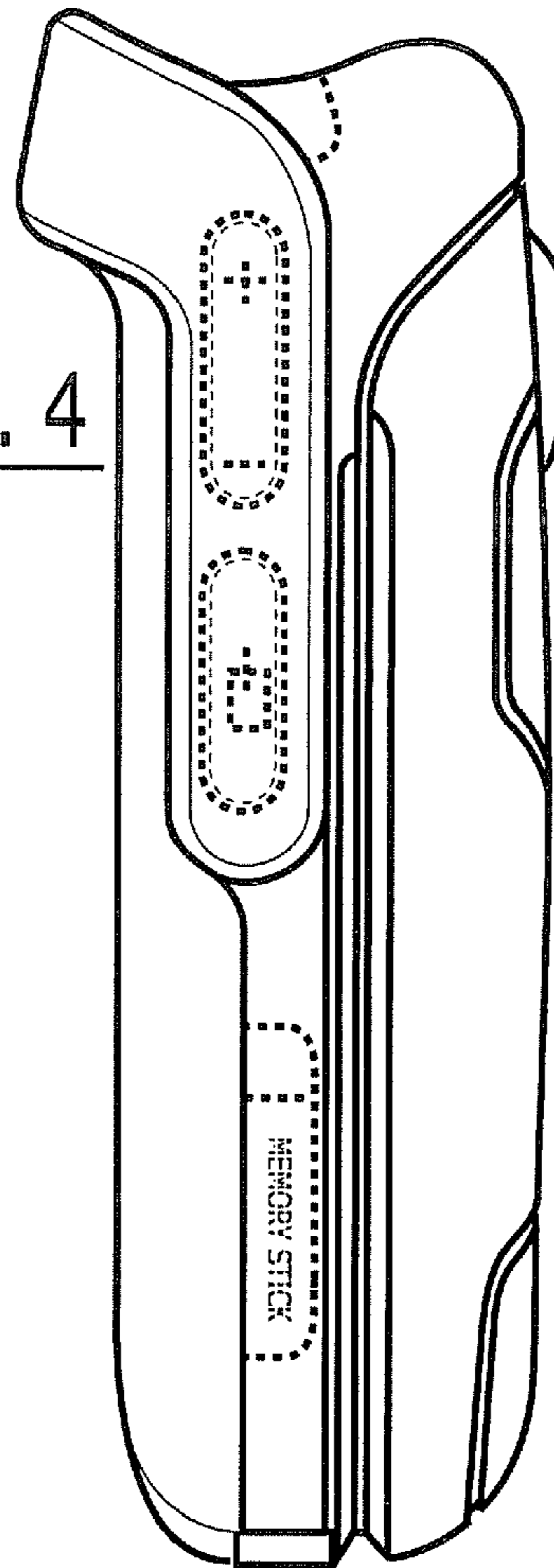


FIG. 4

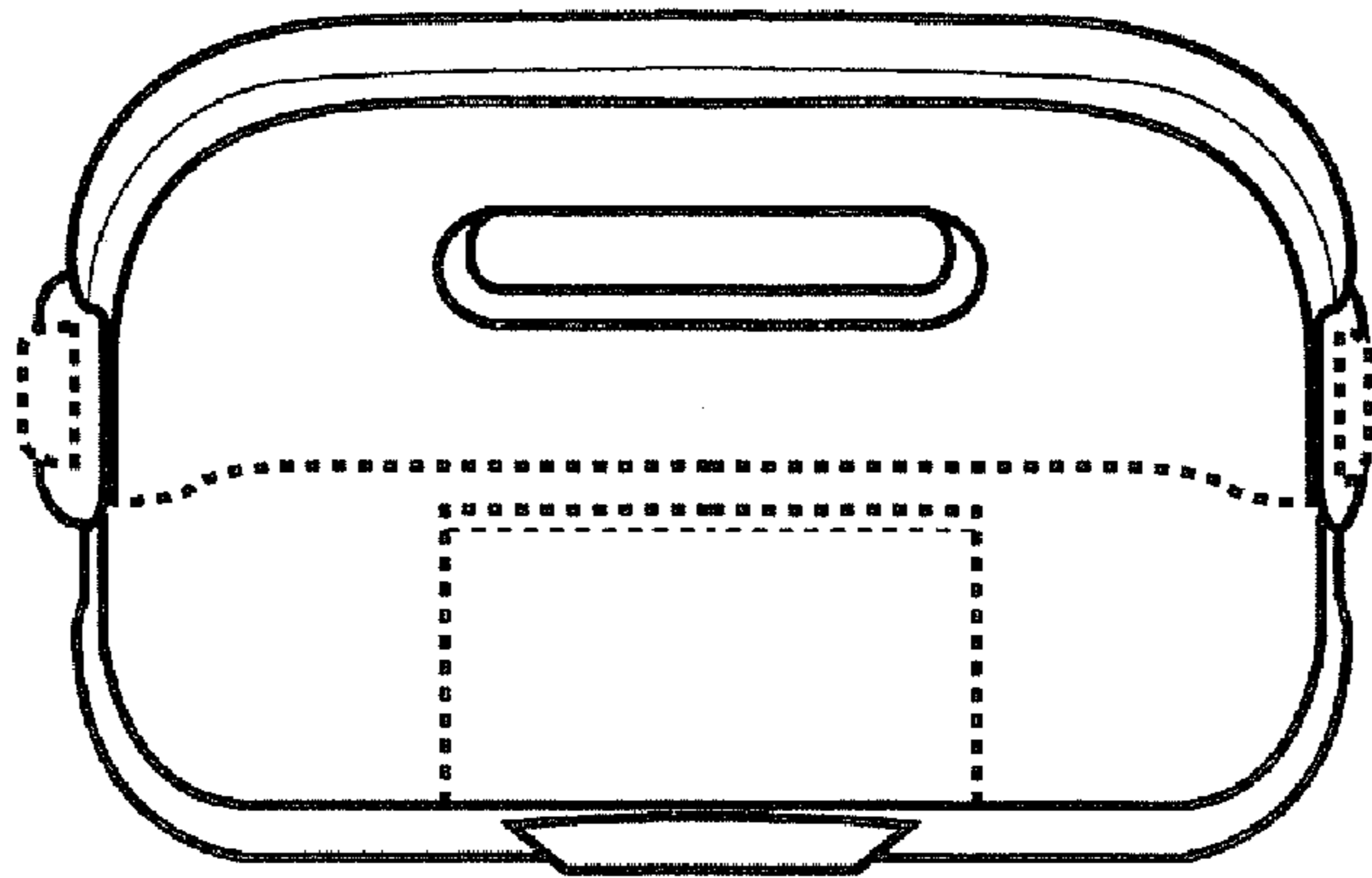


FIG. 5

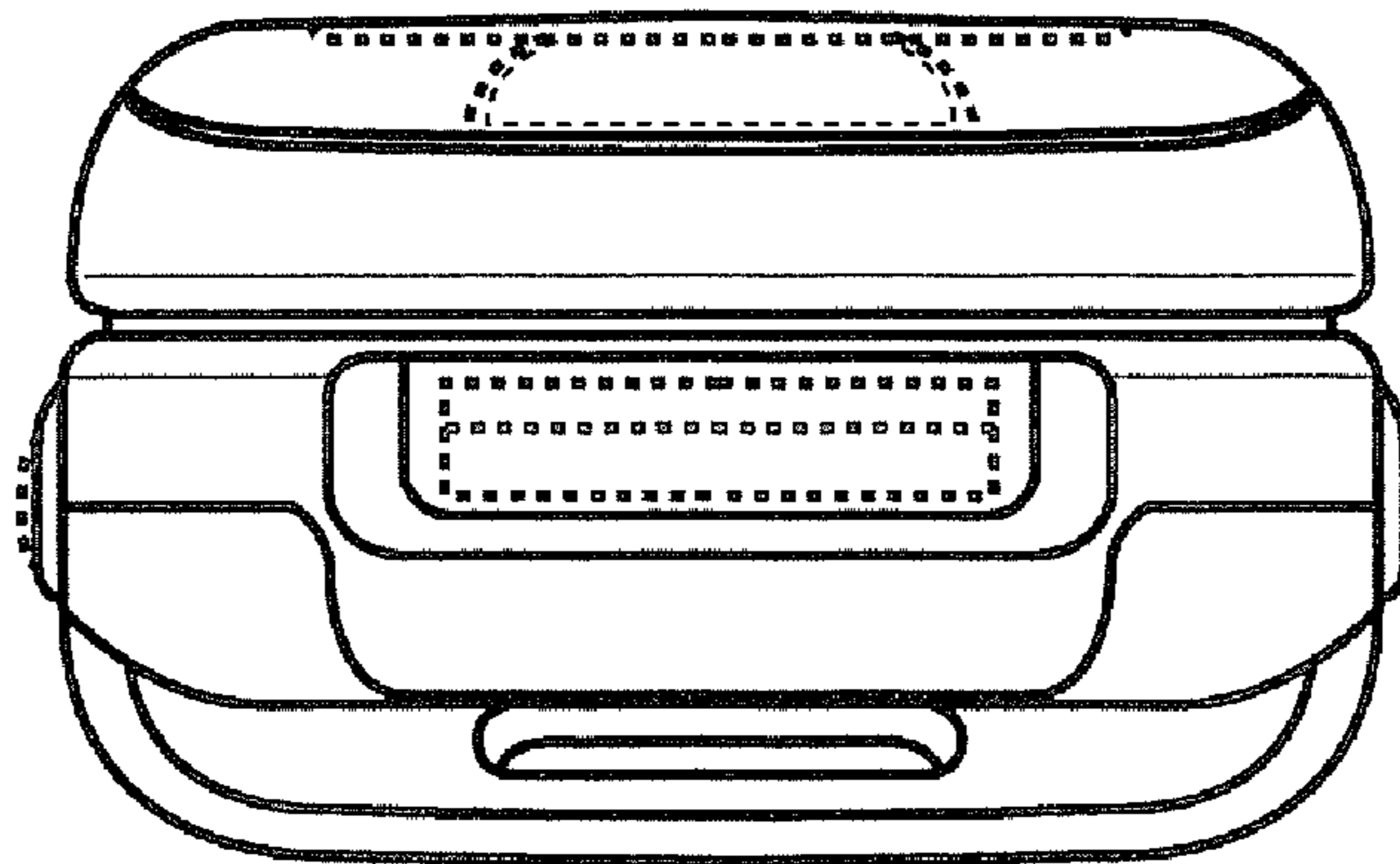


FIG. 6

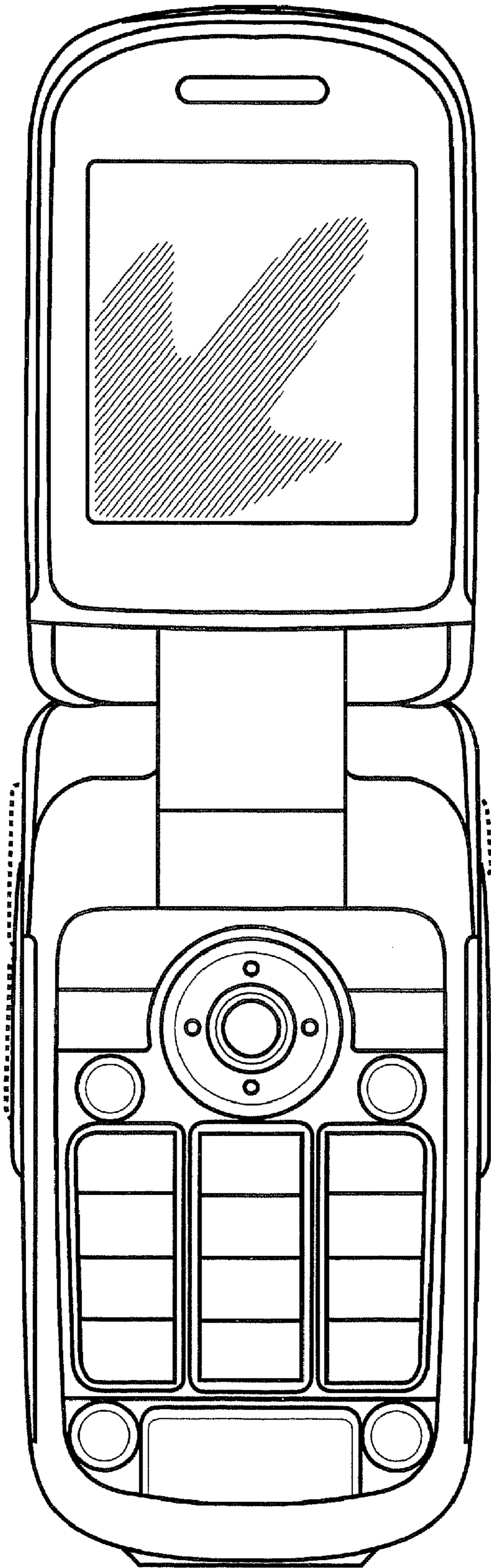


FIG. 7

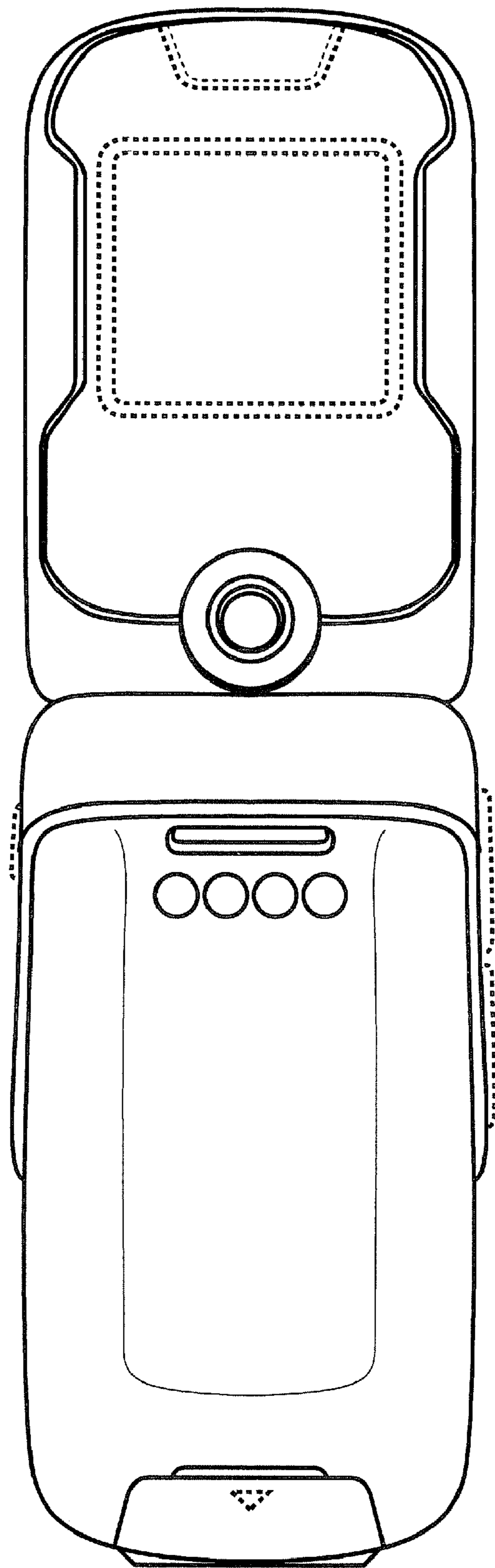


FIG. 8

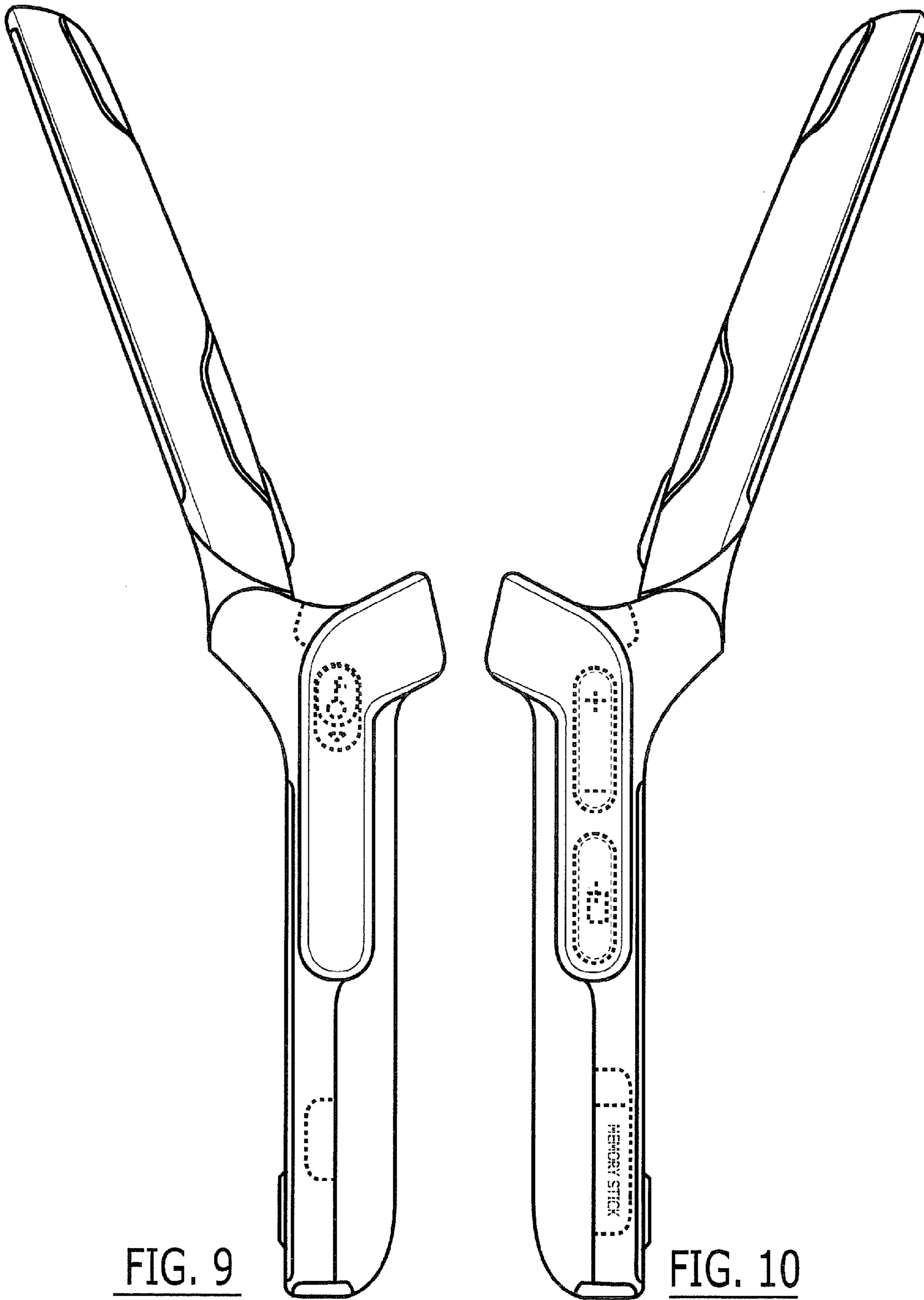


FIG. 9

FIG. 10

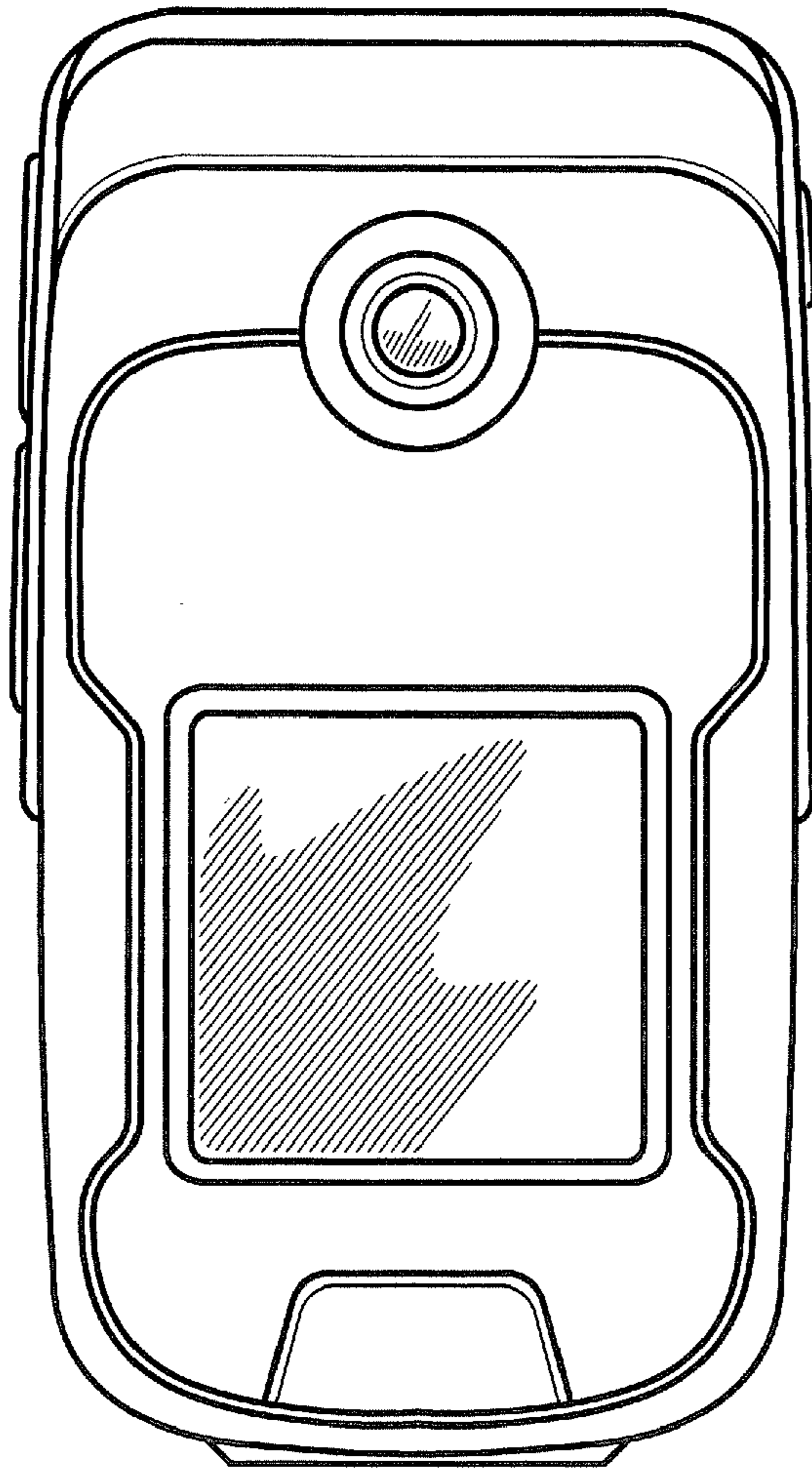


FIG. 11

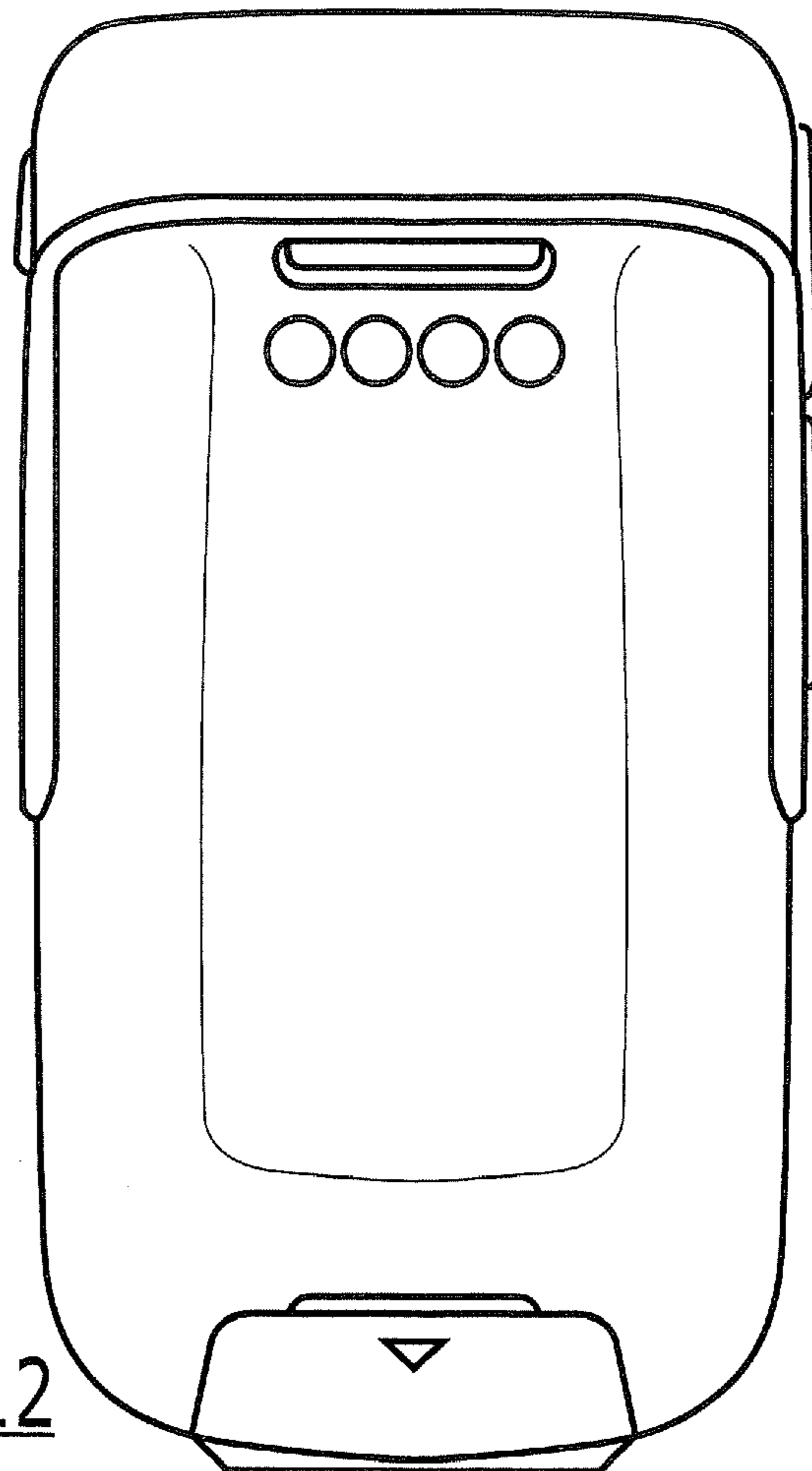


FIG. 12



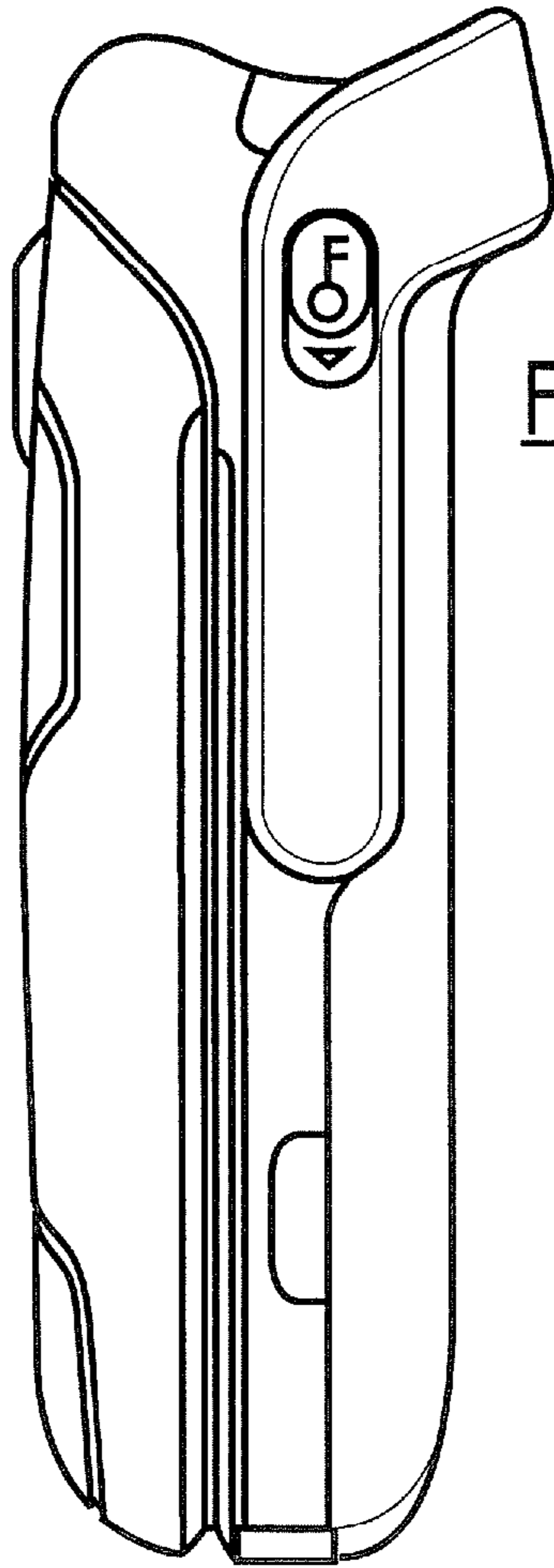


FIG. 13

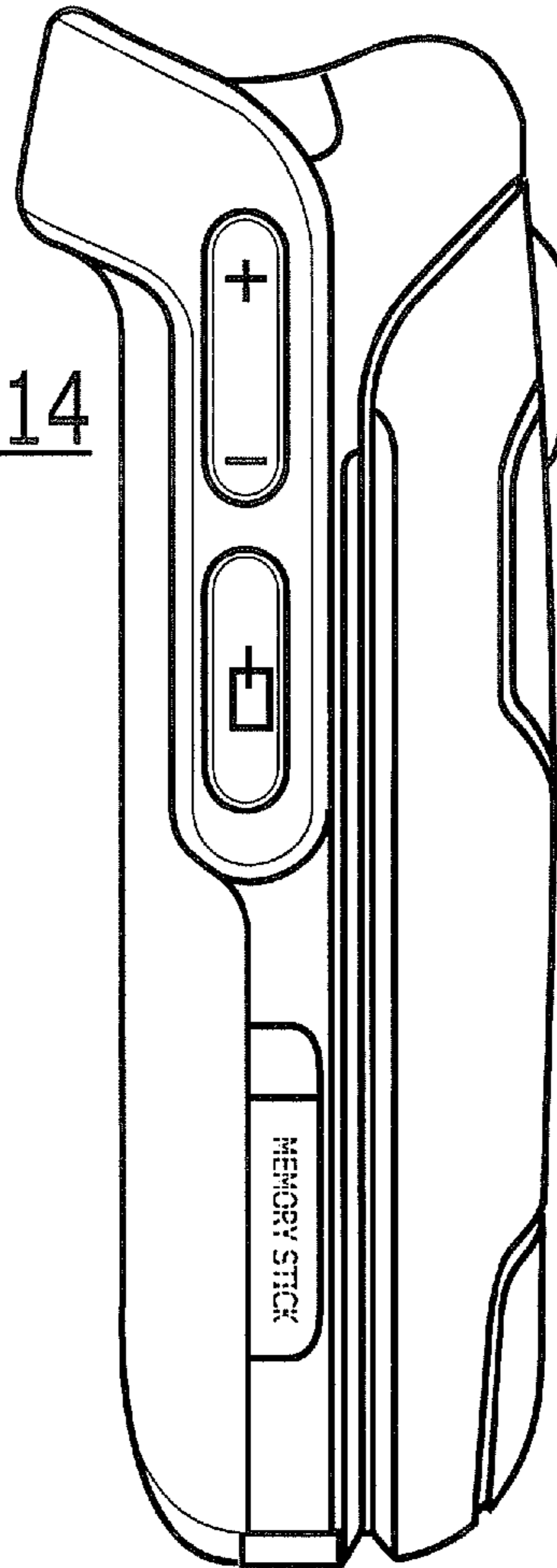


FIG. 14

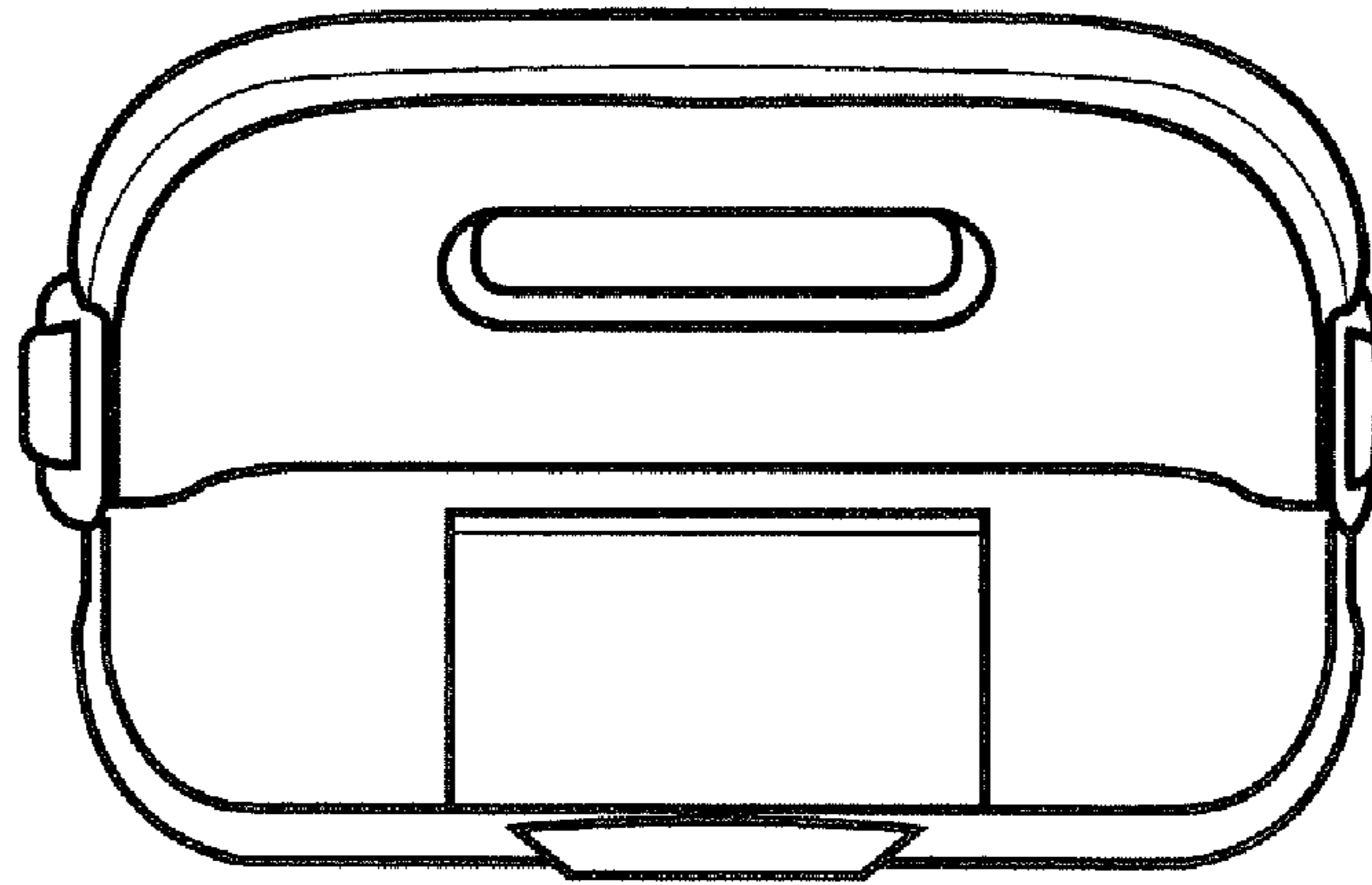


FIG. 15

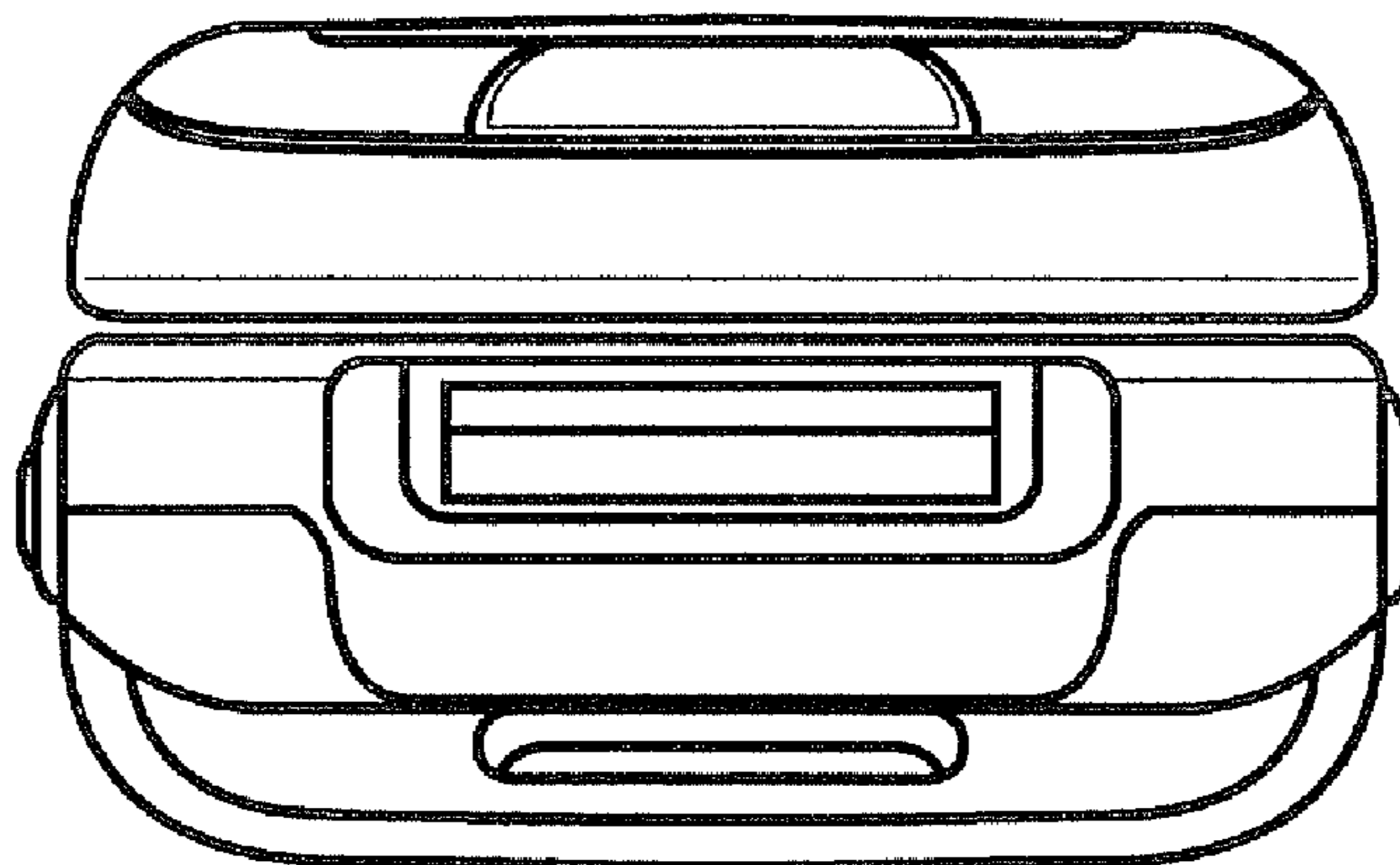


FIG. 16

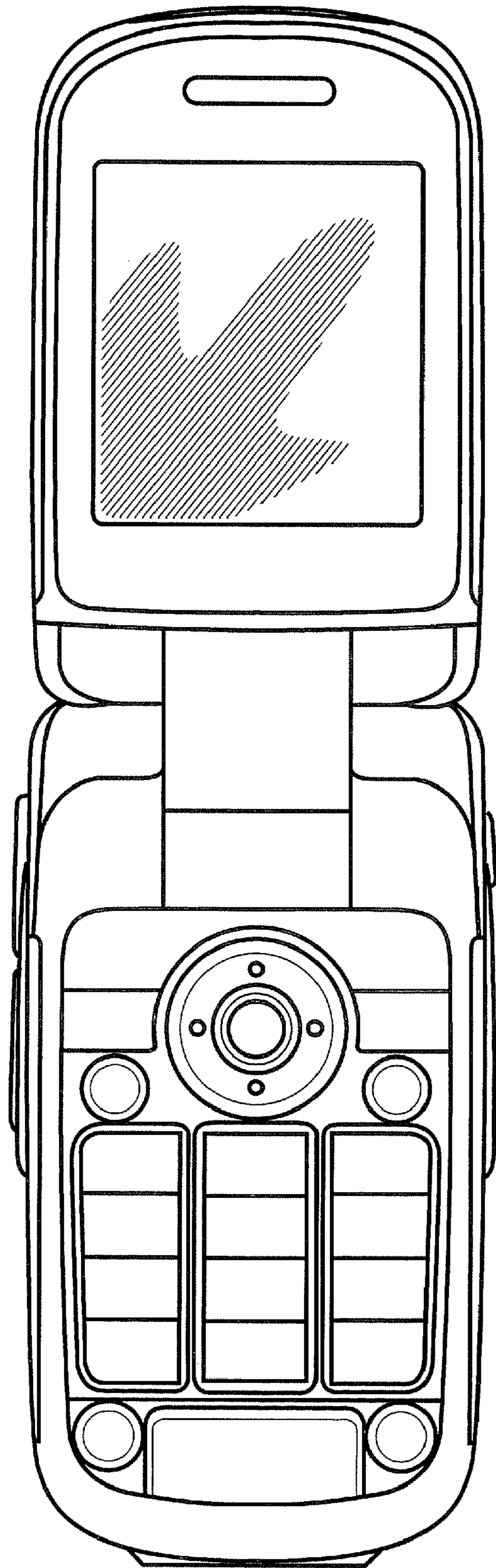


FIG. 17

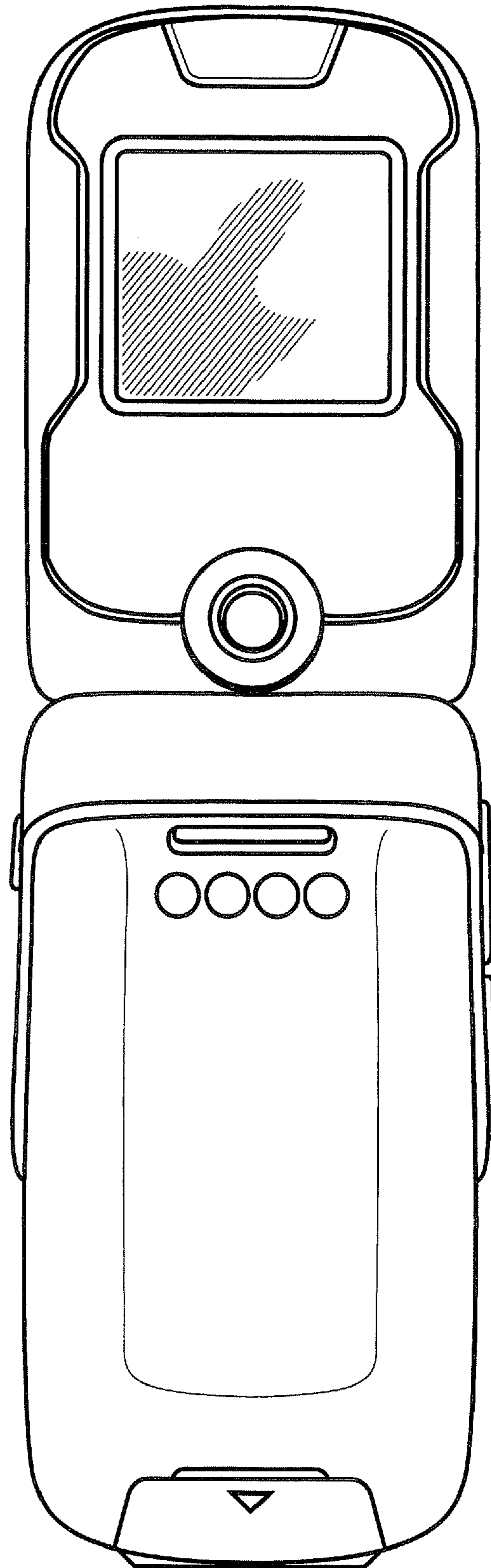


FIG. 18

