

US00D560182S

(12) **United States Design Patent**
Park

(10) **Patent No.:** **US D560,182 S**

(45) **Date of Patent:** **** Jan. 22, 2008**

(54) **DVD RECORDER**

(75) Inventor: **Jung-Hyun Park**, Seoul (KR)

(73) Assignee: **Samsung Electronics Co., Ltd.**,
Kyunggi-Do (KR)

(**) Term: **14 Years**

(21) Appl. No.: **29/269,994**

(22) Filed: **Dec. 12, 2006**

(51) **LOC (8) Cl.** **14-01**

(52) **U.S. Cl.** **D14/136**

(58) **Field of Classification Search** D14/135-136,
D14/156-157, 167-168, 197-198, 188, 357,
D14/445; 360/99.02, 99.07, 137, 75.11,
360/75.21, 77.21; 720/612, 619, 647, 655;
455/344, 347-351; 369/77.11

See application file for complete search history.

(56) **References Cited**

U.S. PATENT DOCUMENTS

D311,915 S	*	11/1990	Hong	D14/135
5,172,360 A	*	12/1992	Decoster	720/601
D459,709 S	*	7/2002	Kojima et al.	D14/136
D512,700 S	*	12/2005	Sonoda	D14/136
D519,960 S		5/2006	Kwon et al.		
D519,962 S		5/2006	Kim et al.		
D519,963 S		5/2006	Lim et al.		
D520,478 S		5/2006	Kwon et al.		
D520,479 S		5/2006	Kwon et al.		
D520,480 S		5/2006	Kwon et al.		
D520,481 S		5/2006	Lim et al.		
D520,973 S		5/2006	Kwon et al.		
D520,974 S		5/2006	Lim		
D520,975 S		5/2006	Kim et al.		
D521,965 S		5/2006	Ko et al.		
D521,966 S		5/2006	Kim et al.		
D521,967 S		5/2006	Lim		
D522,986 S		6/2006	Kwon et al.		
D523,832 S		6/2006	Kwon et al.		
D525,958 S		8/2006	Kwon et al.		

D526,294 S	8/2006	Kwon et al.
D526,979 S	8/2006	Lim
D526,980 S	8/2006	Kwon et al.
D526,981 S	8/2006	Kim et al.
D528,525 S	9/2006	Cho et al.
D529,464 S	10/2006	Lim et al.
D529,885 S	10/2006	Park et al.
D530,692 S	10/2006	Lim et al.
D530,693 S	10/2006	Park et al.
D530,694 S	10/2006	Park
D530,695 S	10/2006	Park
D531,153 S	10/2006	Lim et al.
D533,159 S	12/2006	Kim et al.
D536,682 S	2/2007	Lim et al.
D536,683 S	2/2007	Lim et al.

OTHER PUBLICATIONS

U.S. Appl. No. 29/259,105, Applicant: Jin-Wook Kim, filed May 2, 2006 entitled Digital Video Recorder.

U.S. Appl. No. 29/237,124, Applicant: Hyun-Teak Lim, et al., filed Aug. 26, 2005 entitled DVD Recorder.

(Continued)

Primary Examiner—Nanda Bondade

(74) *Attorney, Agent, or Firm*—Flynn, Thiel, Boutell & Tanis, P.C.

(57) **CLAIM**

The ornamental design for a DVD recorder, as shown and described.

DESCRIPTION

FIG. 1 is a top front perspective view of a DVD recorder showing my new design;

FIG. 2 is a front elevational view thereof;

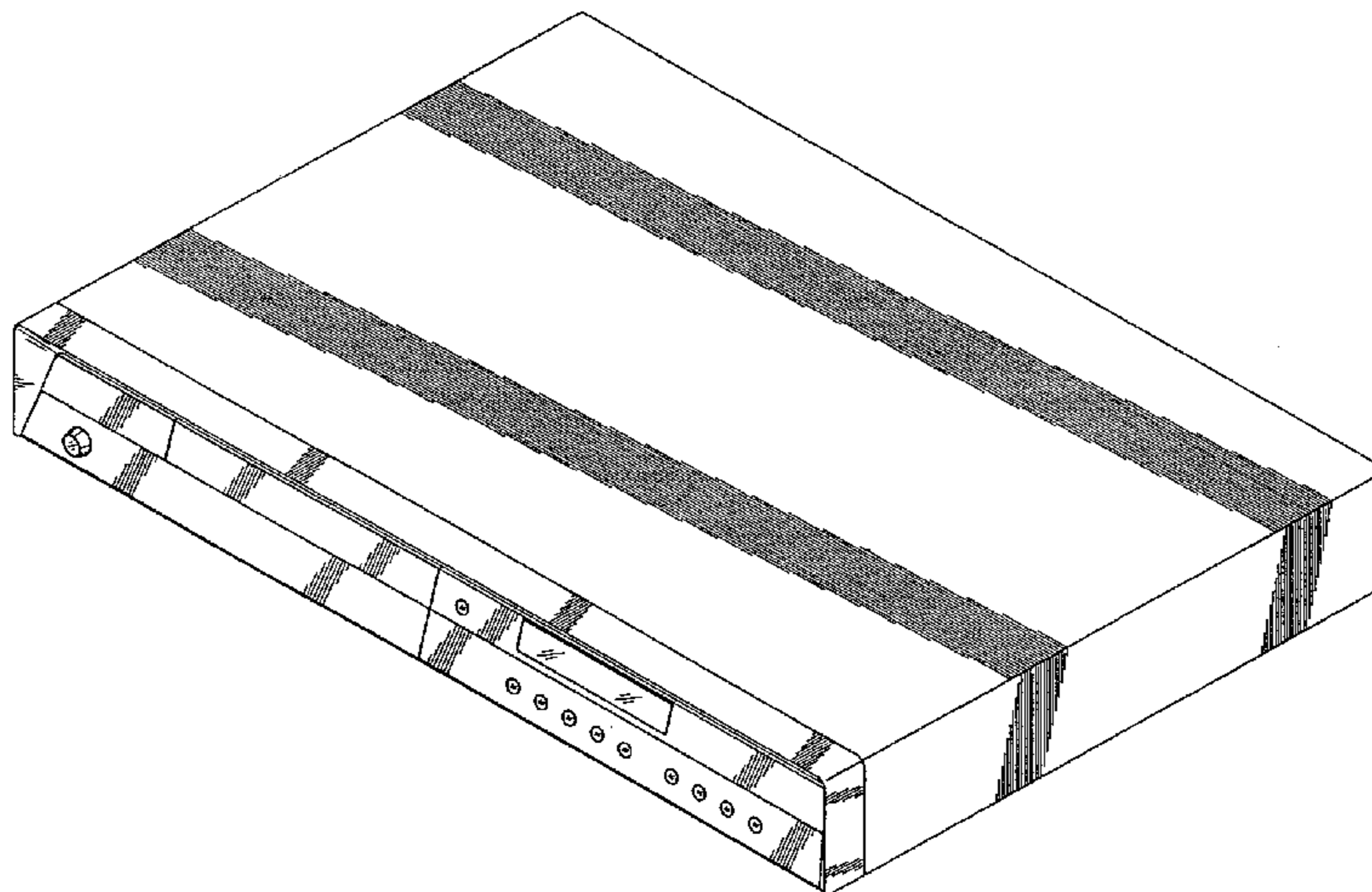
FIG. 3 is a rear elevational view thereof;

FIG. 4 is a left side elevational view thereof, the right side being a mirror image;

FIG. 5 is a top plan view thereof; and,

FIG. 6 is a bottom plan view thereof.

1 Claim, 3 Drawing Sheets



OTHER PUBLICATIONS

U.S. Appl. No. 29/241,755, Applicant: Jung-Hyun Park, filed Oct. 31, 2005 entitled DVD Recorder.

U.S. Appl. No. 29/241,756, Applicant: Jung-Hyun Park, filed Oct. 31, 2005 entitled Complex Image Player.

U.S. Appl. No. 29/241,757, Applicant: Jung-Hyun Park, filed Oct. 31, 2005 entitled Complex Image Player.

U.S. Appl. No. 29/241,751, Applicant: Jung-Hyun Park, filed Oct. 31, 2005 entitled DVD Recorder.

U.S. Appl. No. 29/269,995, Applicant: Jung-Hyun Park, filed Dec. 12, 2006 entitled DVD Recorder.

U.S. Appl. No. 29/269,996, Applicant: Jung-Hyun Park, filed Dec. 12, 2006 entitled DVD Recorder.

U.S. Appl. No. 29/269,992, Applicant: Jung-Hyun Park, filed Dec. 12, 2006 entitled DVD Recorder.

U.S. Appl. No. 29/269,991, Applicant: Jung-Hyun Park, filed Dec. 12, 2006 entitled DVD Recorder.

U.S. Appl. No. 29/269,993, Applicant: Jung-Hyun Park, et al., filed Dec. 12, 2006 entitled DVD Recorder.

U.S. Appl. No. 29/269,990, Applicant: Ju-Won Cho, et al., filed Dec. 12, 2006 entitled DVD Recorder.

* cited by examiner

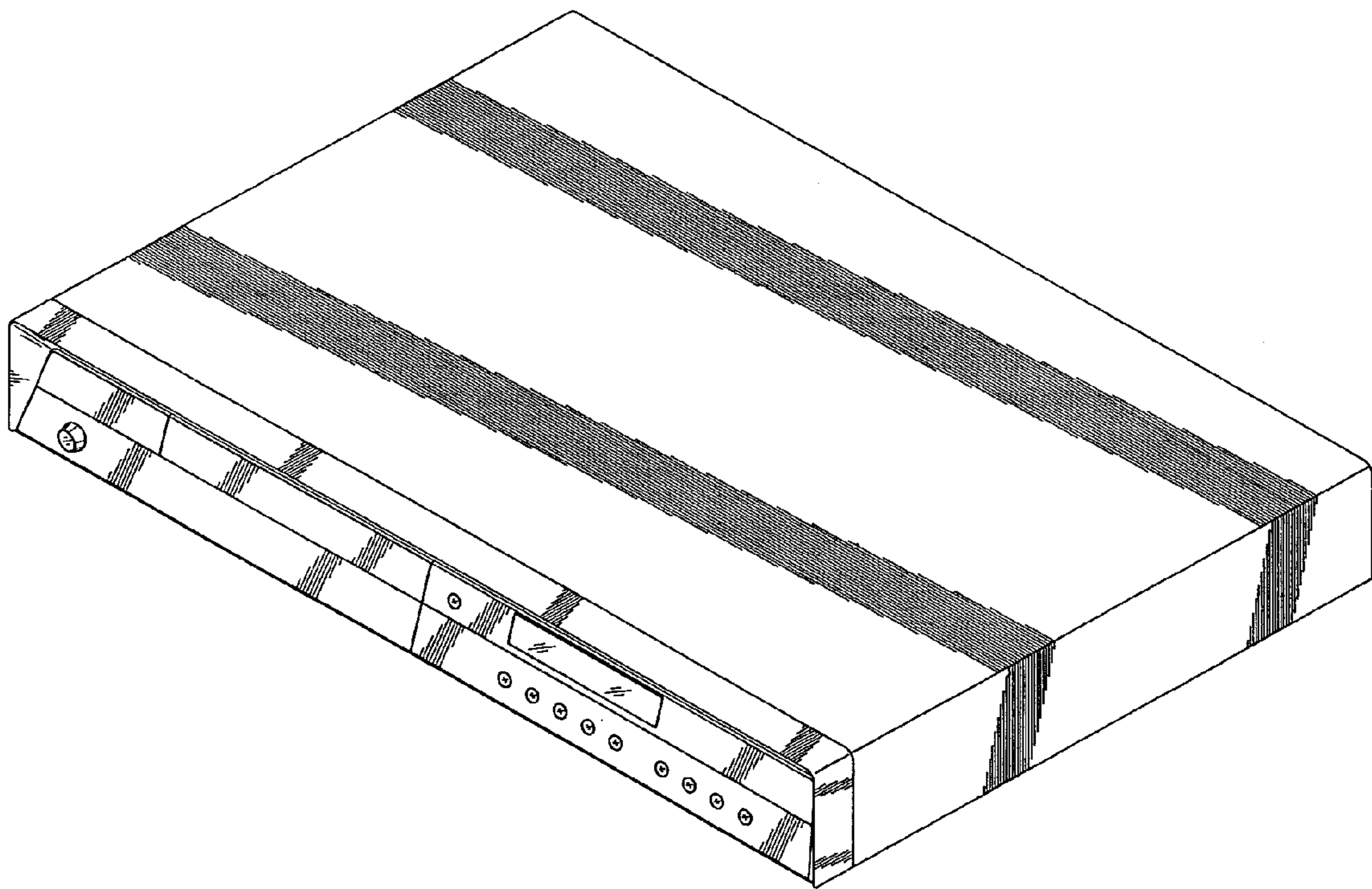


FIG. 1

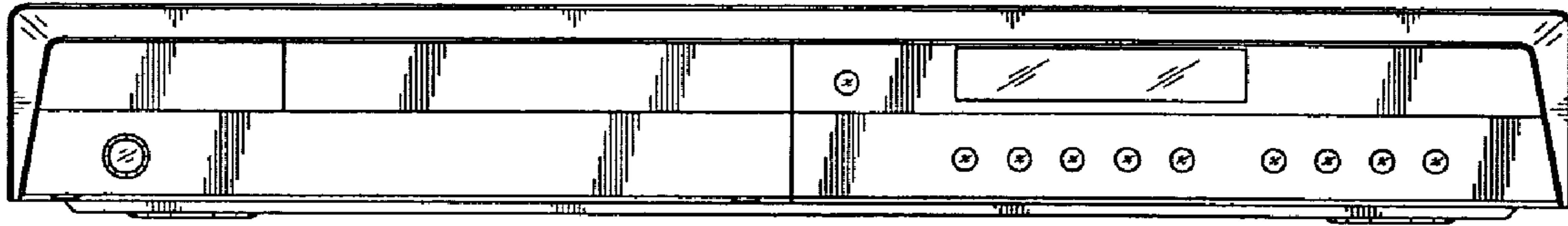


FIG. 2

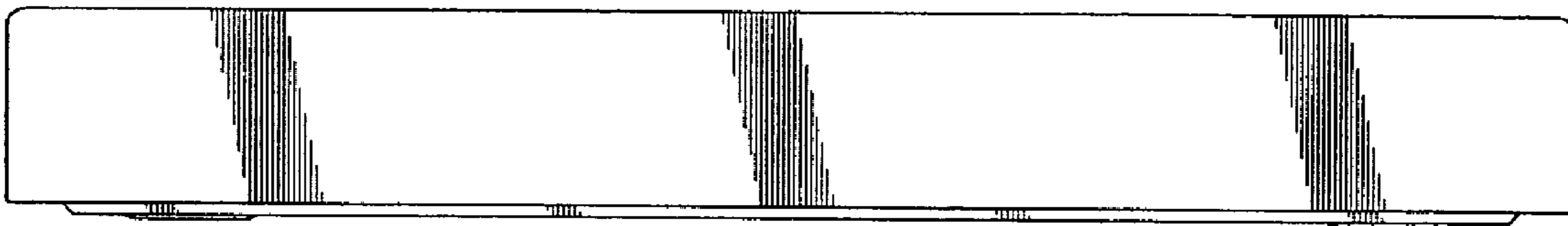


FIG. 3

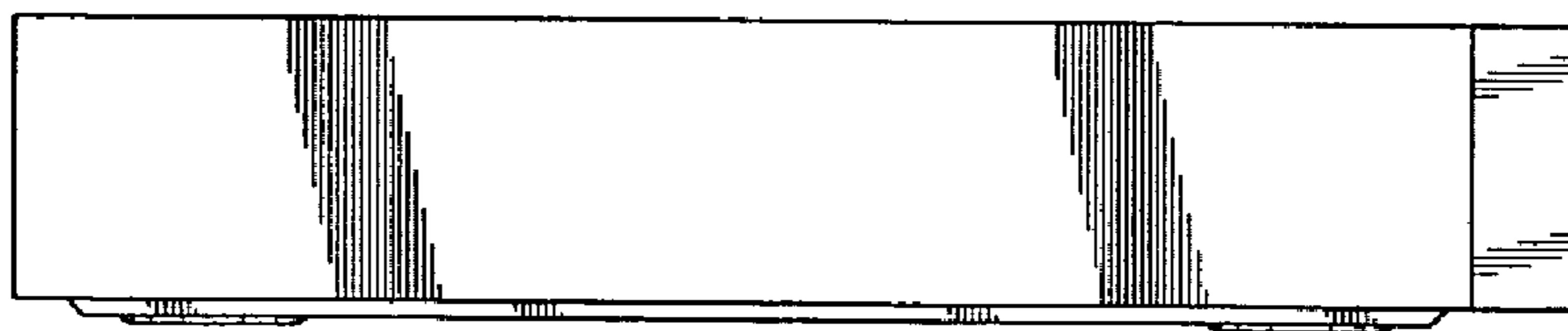


FIG. 4

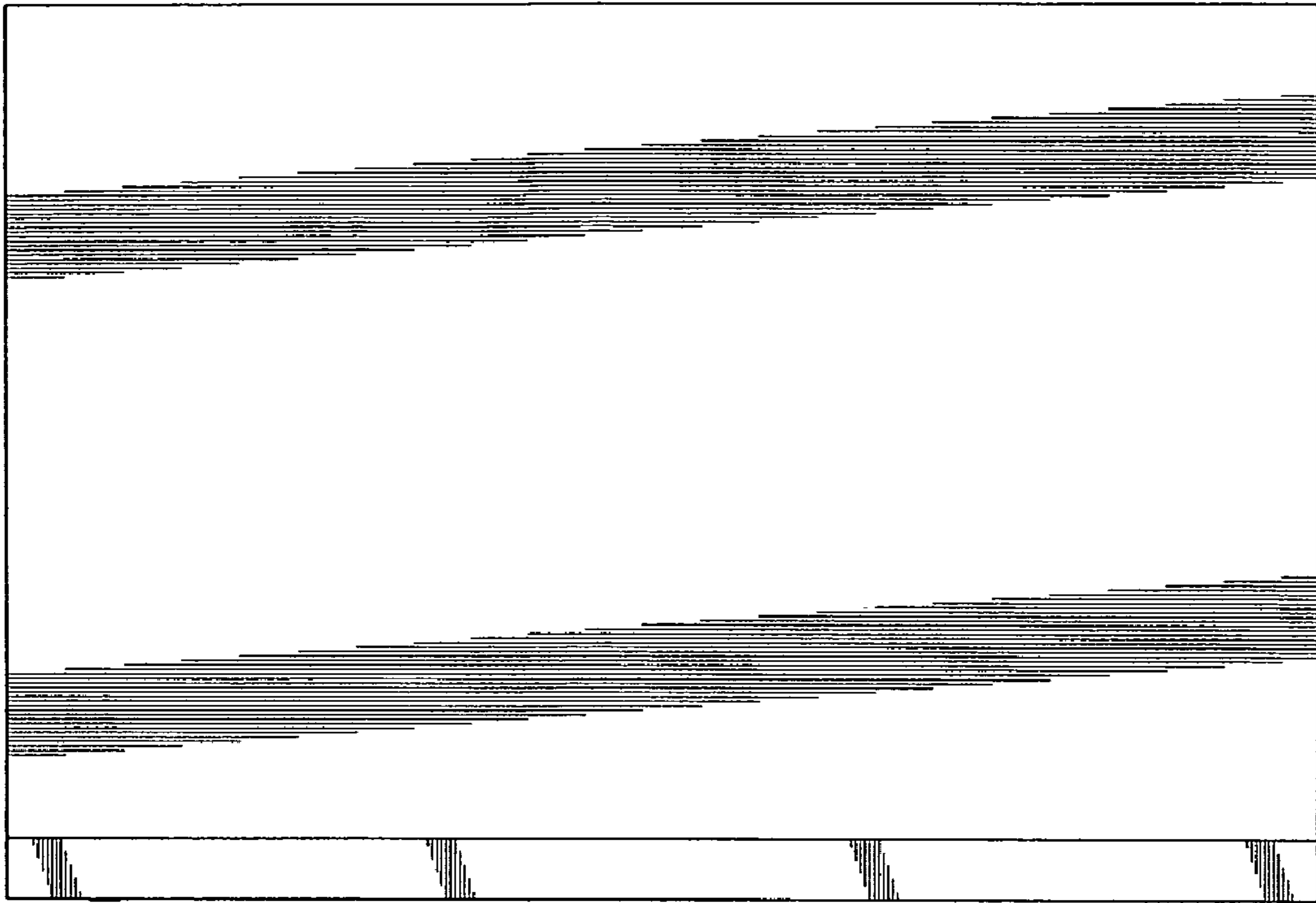


FIG. 5

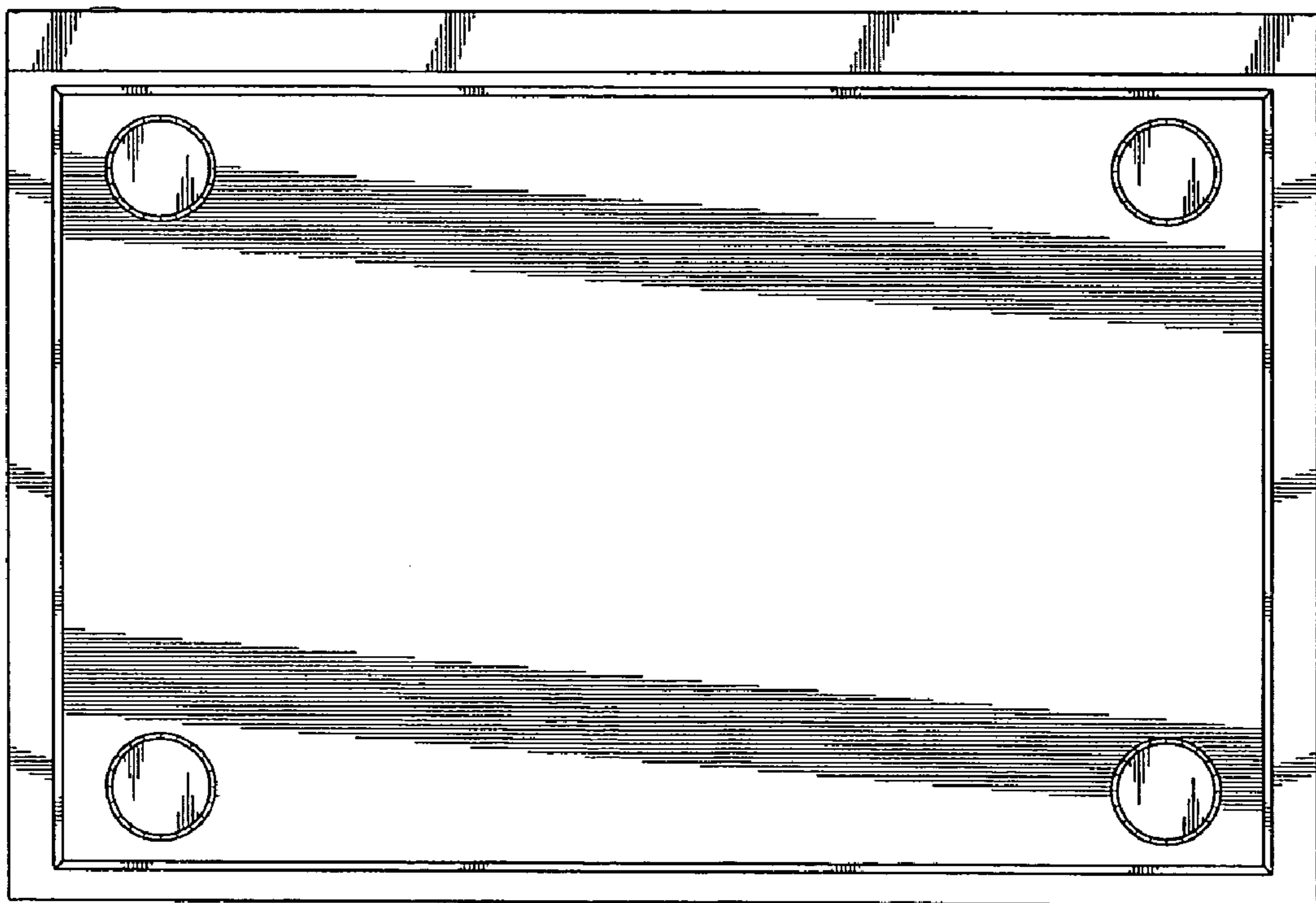


FIG. 6