

US00D560175S

(12) **United States Design Patent**
Commare et al.

(10) **Patent No.:** **US D560,175 S**
(45) **Date of Patent:** **** Jan. 22, 2008**

(54) **POWER CONTROLLER USER INTERFACE
BUTTON**

(75) Inventors: **Donald L. Commare**, La Crescent, MN
(US); **Craig R. Dennis**, Winona, MN
(US); **Thomas R. Pfungsten**, Winona,
MN (US)

(73) Assignee: **Watlow Electric Manufacturing
Company**, St. Louis, MO (US)

(**) Term: **14 Years**

(21) Appl. No.: **29/252,397**

(22) Filed: **Jan. 20, 2006**

(51) **LOC (8) Cl.** **13-03**

(52) **U.S. Cl.** **D13/174**

(58) **Field of Classification Search** D13/125,
D13/158-177, 184, 199; D14/218, 239;
715/716; 200/310, 314, 329, 4, 406, 524,
200/530, 532, 536, 6, 6 A, 8, 1 R, 5 R
See application file for complete search history.

(56) **References Cited**

U.S. PATENT DOCUMENTS

D197,278 S * 1/1964 Stevenson D13/171
D315,144 S * 3/1991 Dard et al. D13/162

D336,462 S * 6/1993 Maes D13/158
D351,173 S * 10/1994 Yeh D14/218
D450,662 S * 11/2001 Kwok D13/168
D451,090 S * 11/2001 Hirano et al. D14/239
D483,018 S * 12/2003 Chen D13/164
D499,074 S * 11/2004 Cook et al. D13/160
D540,749 S * 4/2007 Kaule D13/168
2003/0080991 A1* 5/2003 Crow et al. 345/716

* cited by examiner

Primary Examiner—Selina Sikder

Assistant Examiner—Thomas J Johannes

(74) *Attorney, Agent, or Firm*—Brinks Hofer Gilson &
Lione

(57) **CLAIM**

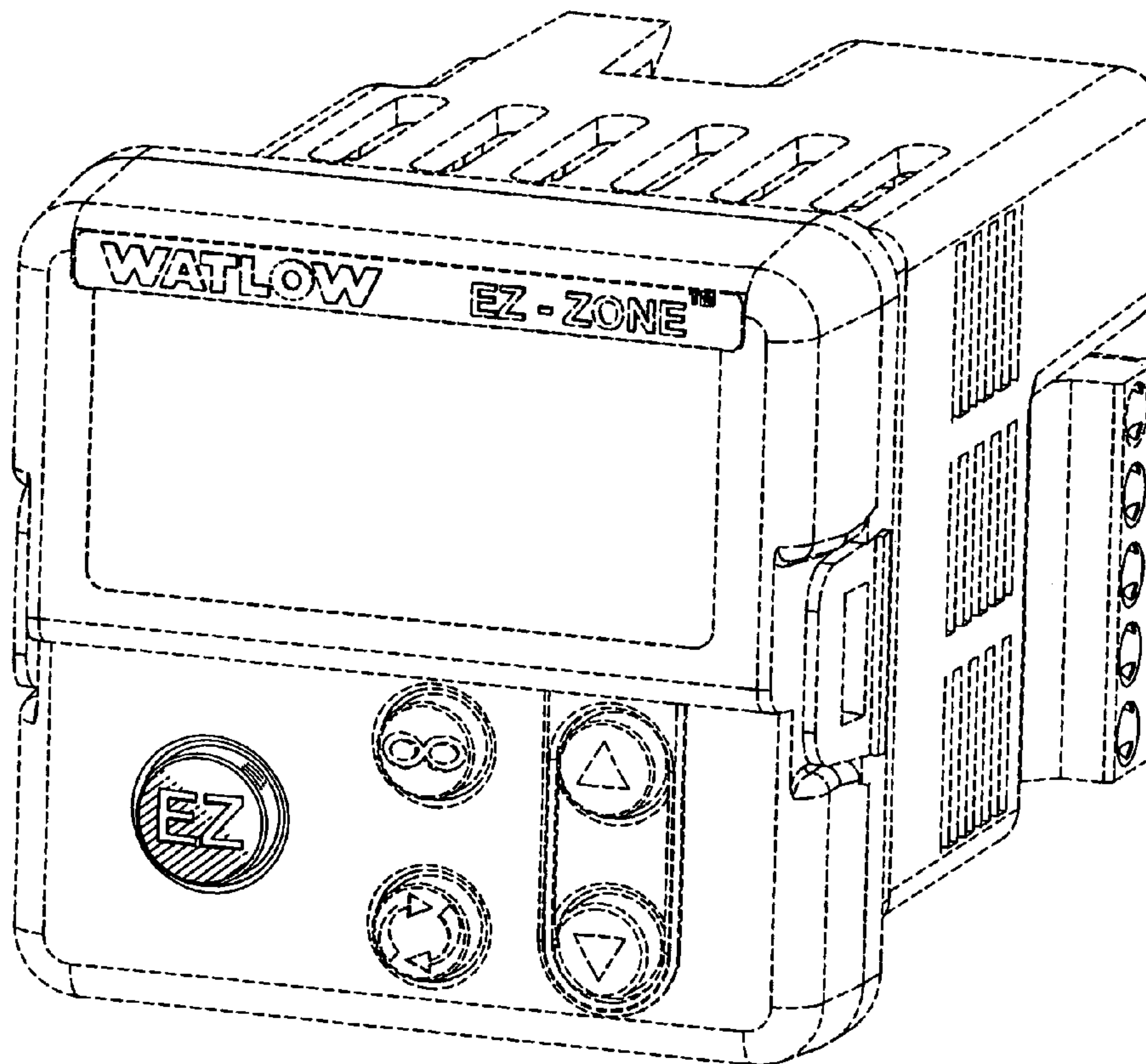
The ornamental design for a power controller user interface
button, as shown and described.

DESCRIPTION

FIG. 1 is a perspective view of a power controller interface
button showing our new design; and,
FIG. 2 is a front view thereof.

The broken lines are included for the purpose of illustrating
environmental structure and form no part of the claimed
design.

1 Claim, 2 Drawing Sheets



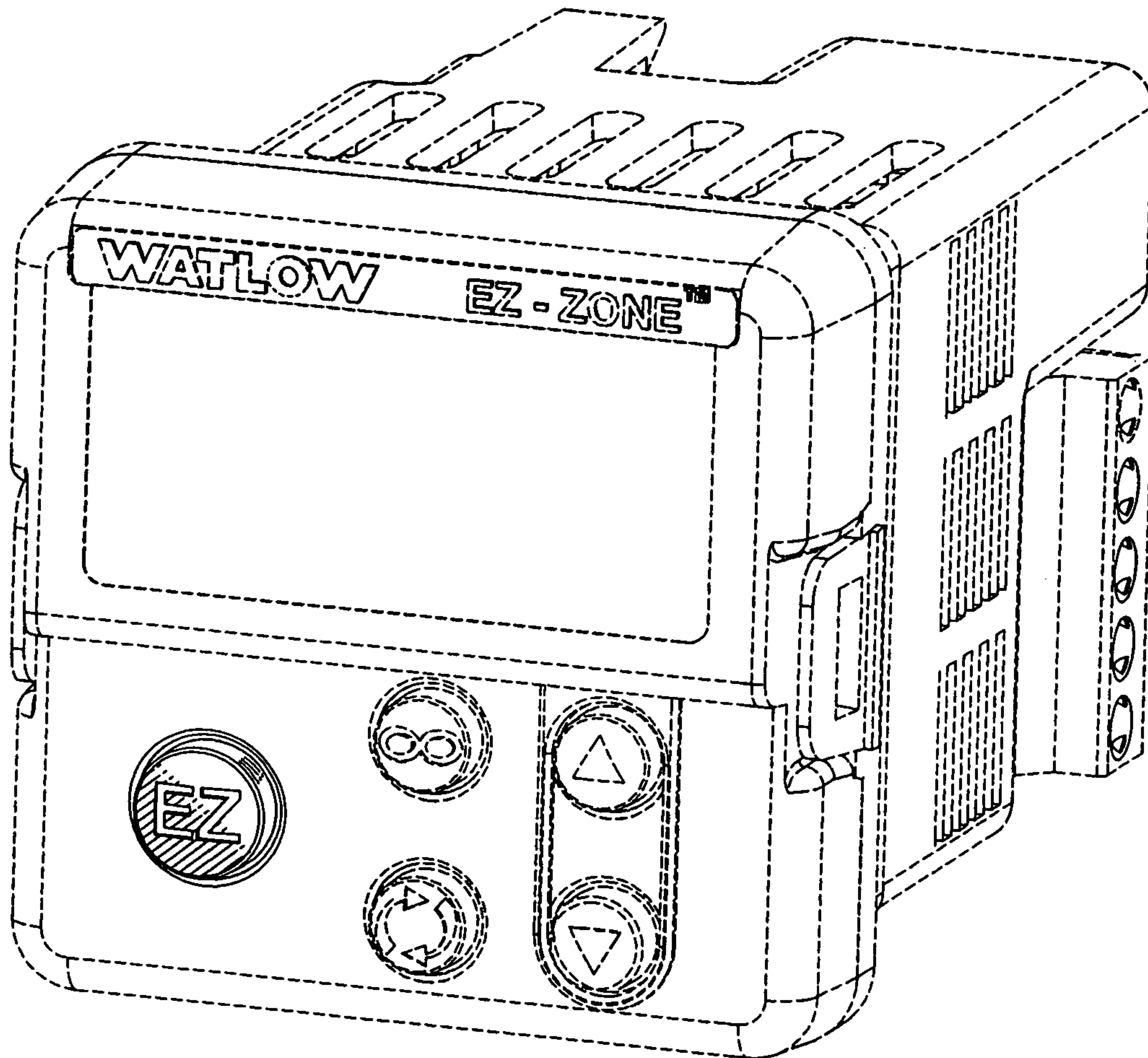


FIG. 1

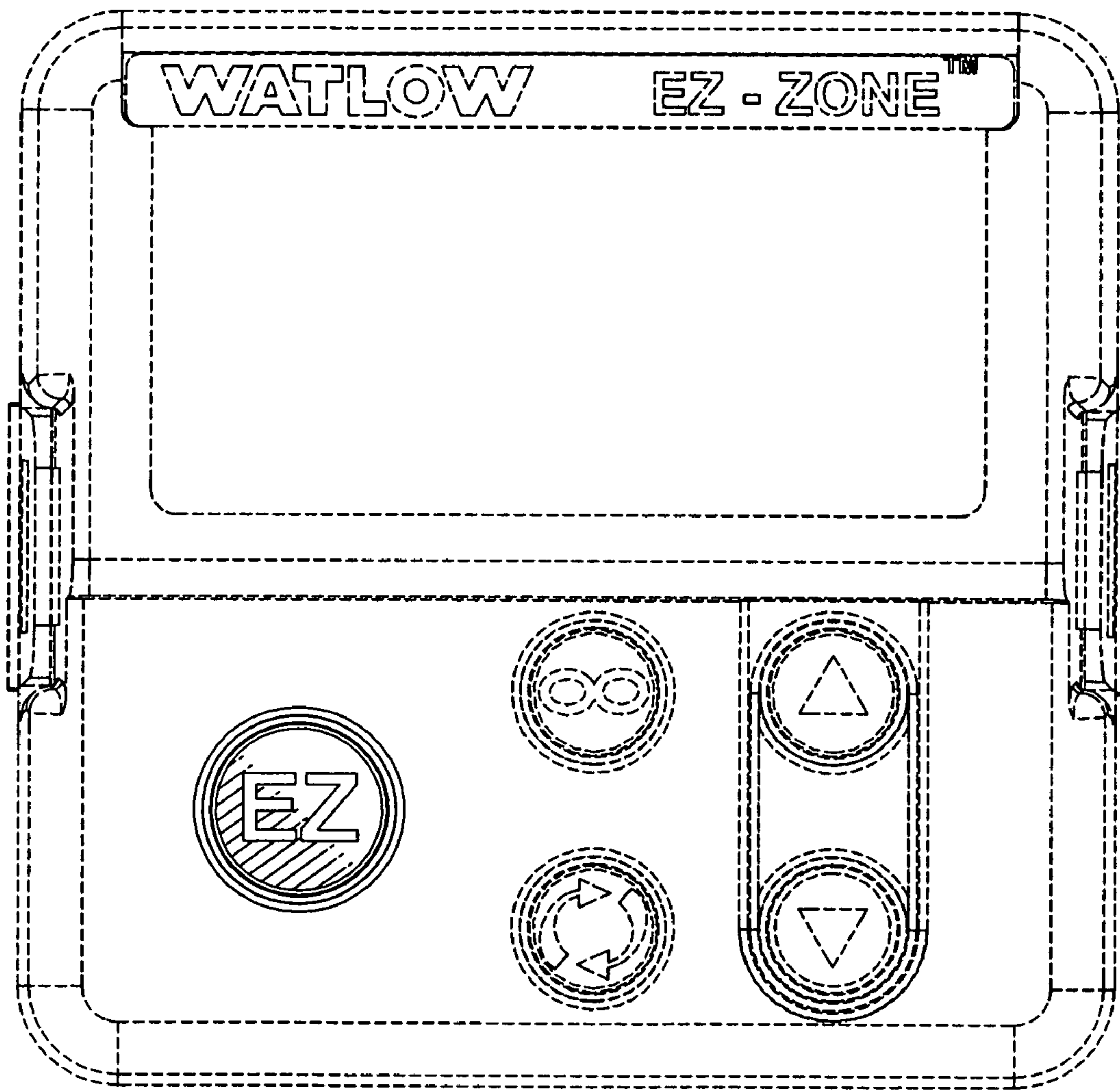


FIG. 2