

US00D560174S

(12) **United States Design Patent**
Sinai

(10) **Patent No.:** **US D560,174 S**

(45) **Date of Patent:** **** Jan. 22, 2008**

(54) **ADAPTER RING**

D540,655 S * 4/2007 Fabrizio D8/353
D541,137 S * 4/2007 Fabrizio D8/353

(76) Inventor: **Bob Sinai**, 18074 Sandy Cape Dr.,
Pacific Palisades, CA (US) 90272

* cited by examiner

(**) Term: **14 Years**

Primary Examiner—Selina Sikder

Assistant Examiner—Thomas J Johannes

(21) Appl. No.: **29/275,734**

(74) *Attorney, Agent, or Firm*—Lawrence S. Cohen

(22) Filed: **Jan. 4, 2007**

(57) **CLAIM**

(51) **LOC (8) Cl.** **13-03**

The ornamental design for an adapter ring, as shown and described.

(52) **U.S. Cl.** **D13/173**

(58) **Field of Classification Search** D13/158–177,
D13/184; D8/353; 174/66

DESCRIPTION

See application file for complete search history.

FIG. 1 is a perspective view of the adapter ring, showing my new design;

(56) **References Cited**

FIG. 2 is a rear view of the adapter ring;

U.S. PATENT DOCUMENTS

FIG. 3 is a front view of the adapter ring;

5,180,886 A * 1/1993 Dierenbach et al. 174/66

FIG. 4 is a topview of the flanged adapter ring;

D379,453 S * 5/1997 Fabrizio D13/177

FIG. 5 is a bottom view of the flanged adapter ring;

D468,707 S * 1/2003 Wu et al. D13/173

FIG. 6 is a right side view of the flanged adapter ring; and,

D493,695 S * 8/2004 Wengrower D8/353

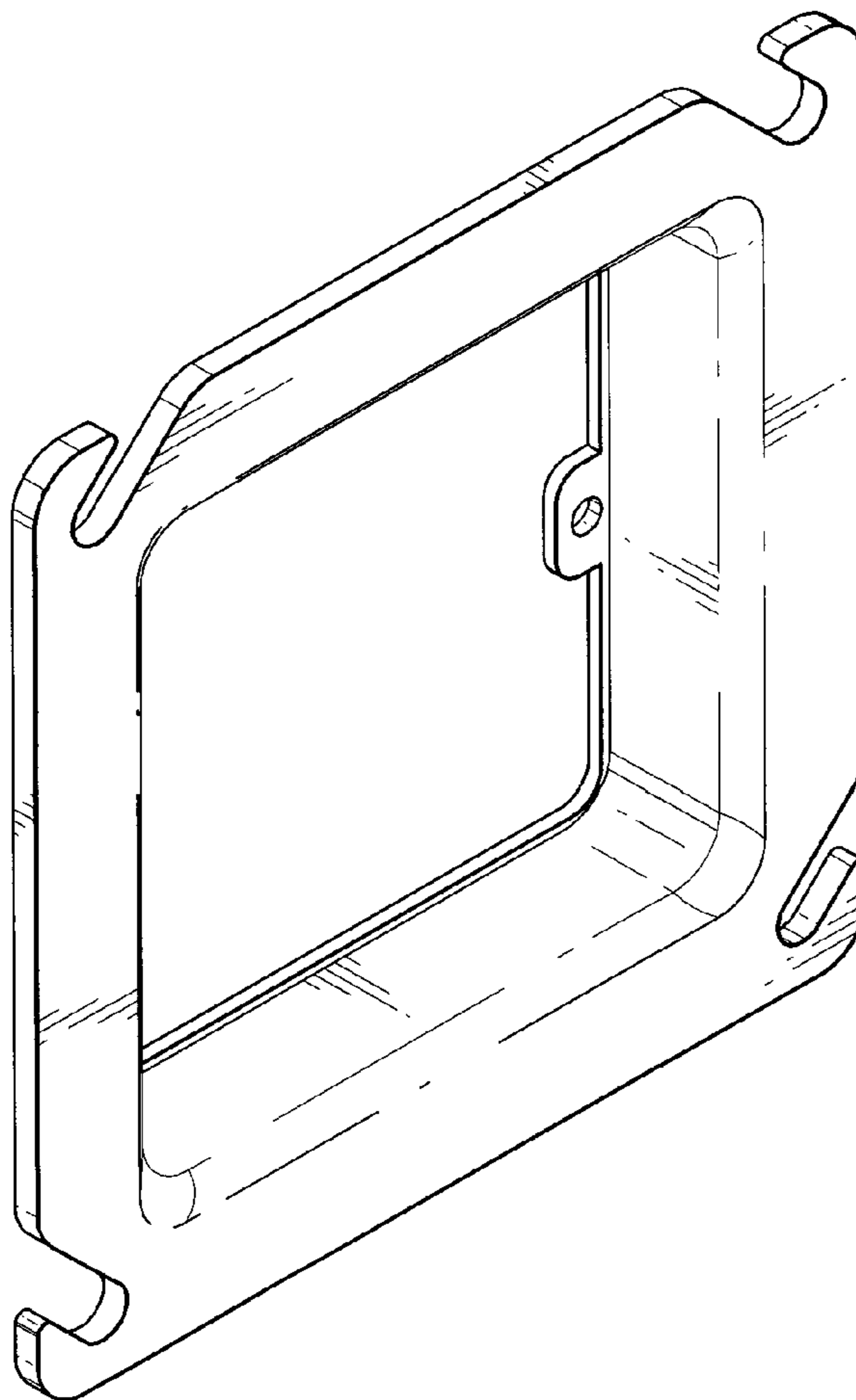
FIG. 7 is a left side view of the flanged adapter ring.

D622,675 * 11/2005 Holger D8/353

D531,884 S * 11/2006 Fabrizio D8/353

D540,654 S * 4/2007 Aubert Capella D8/353

1 Claim, 4 Drawing Sheets



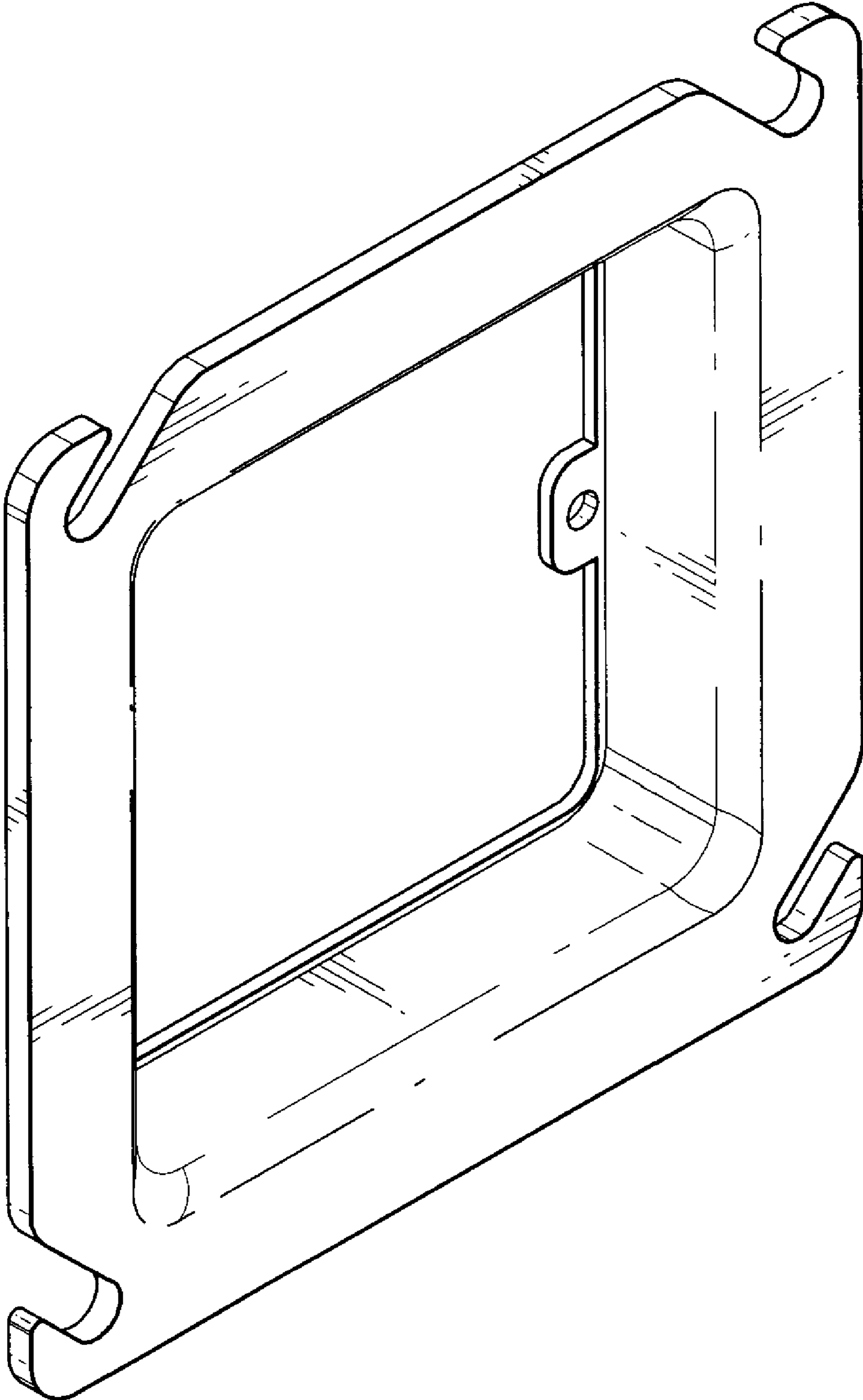


FIG. 1

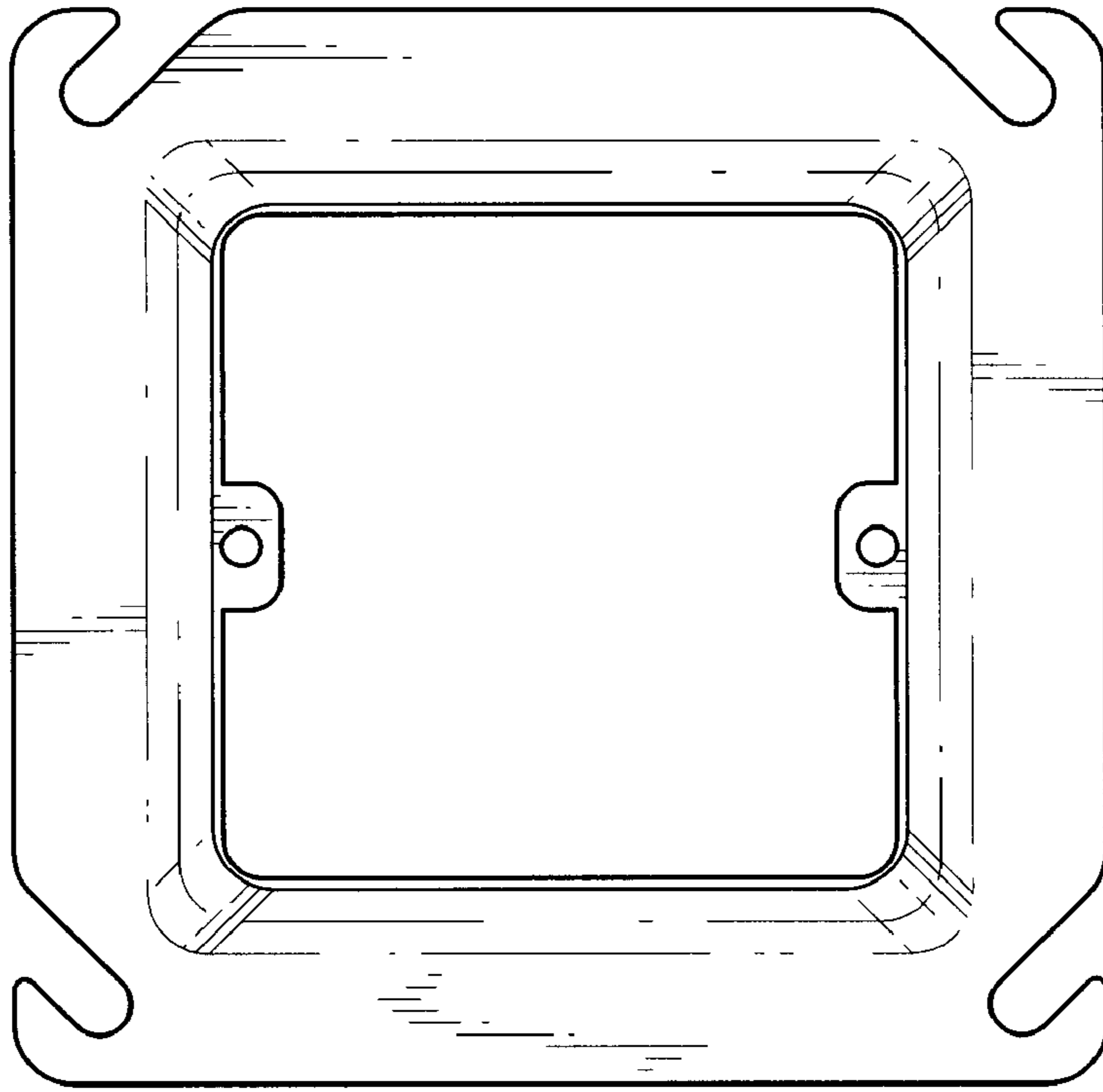


FIG. 2

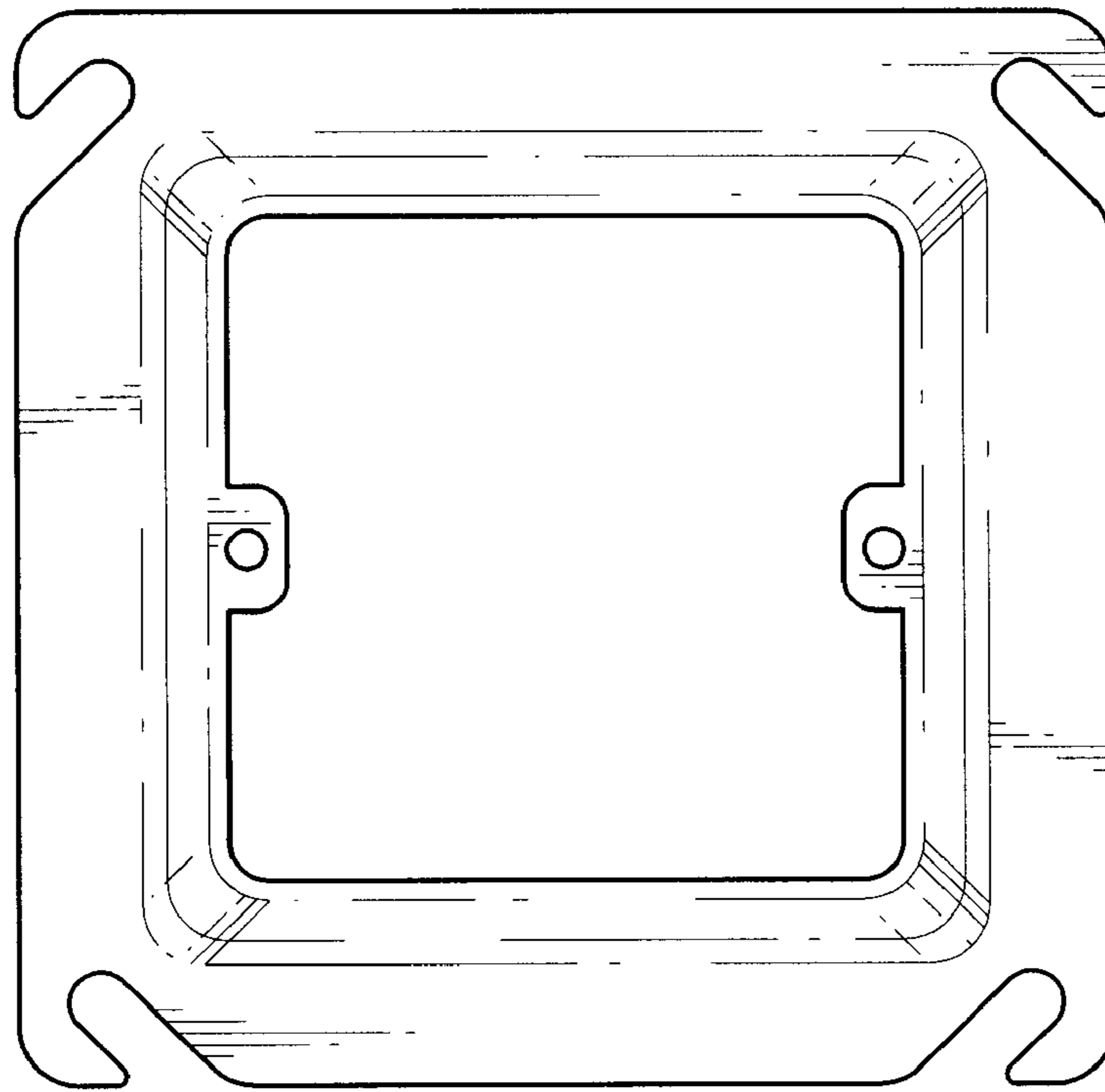


FIG. 3



FIG. 4

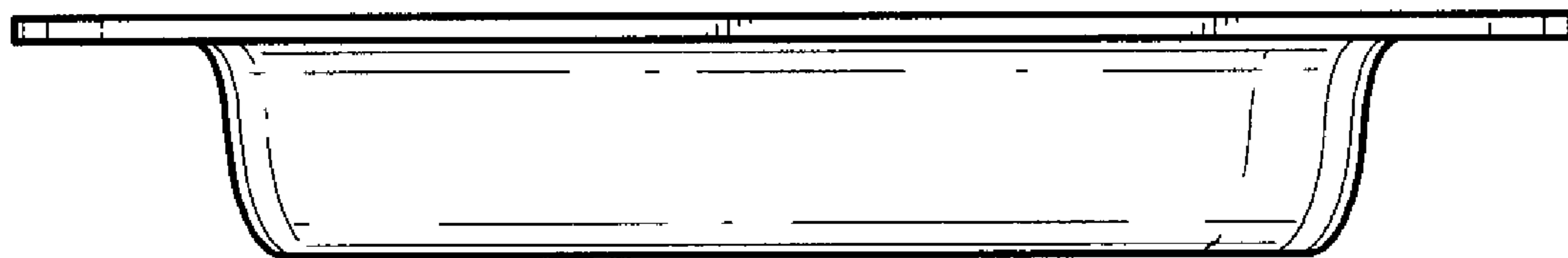


FIG. 5

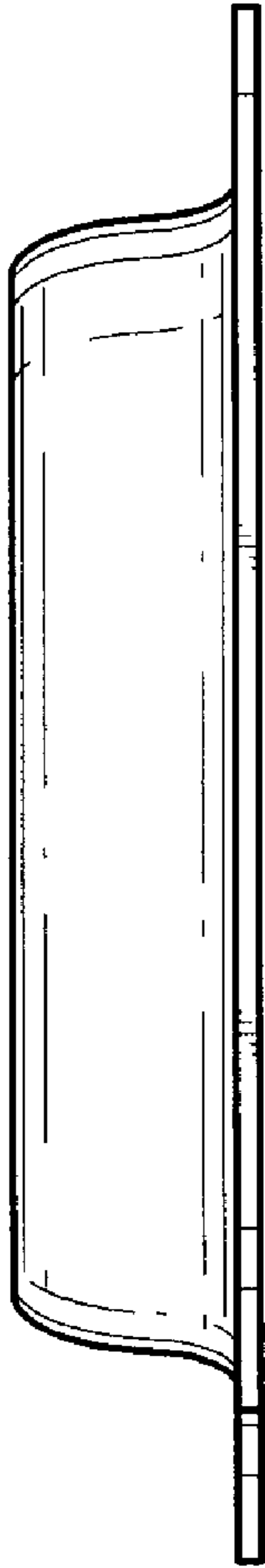


FIG. 6

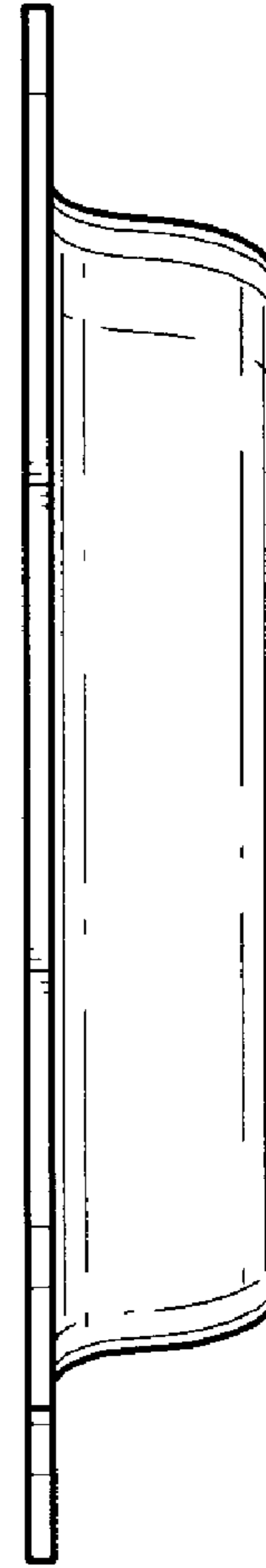


FIG. 7