



US00D560168S

(12) **United States Design Patent**
McCoy

(10) **Patent No.:** **US D560,168 S**
(45) **Date of Patent:** **** Jan. 22, 2008**

- (54) **ELECTRICAL CONNECTOR**
- (75) Inventor: **Phillip A. McCoy**, Albion, IN (US)
- (73) Assignee: **Dekko Technologies, LLC**, North Webster, IN (US)
- (**) Term: **14 Years**
- (21) Appl. No.: **29/278,914**
- (22) Filed: **Apr. 13, 2007**

D294,142 S * 2/1988 Kuwano et al. D13/146
 4,915,643 A * 4/1990 Samejima et al. 439/357
 4,934,963 A * 6/1990 Gardner et al. 439/677
 D413,102 S * 8/1999 Tsukamoto et al. D13/147

* cited by examiner

Primary Examiner—Daniel Bui
(74) *Attorney, Agent, or Firm*—Taylor & Aust, P.C.

Related U.S. Application Data

- (63) Continuation of application No. 10/962,946, filed on Oct. 12, 2004, now Pat. No. 7,238,056.
- (51) **LOC (8) Cl.** **13-03**
- (52) **U.S. Cl.** **D13/146; D13/154; D13/133**
- (58) **Field of Classification Search** D13/133, D13/146-147, 154, 184, 199; 439/35, 271, 439/284, 660, 748, 851
See application file for complete search history.

References Cited

U.S. PATENT DOCUMENTS

4,061,407 A * 12/1977 Snow 439/35
 D265,189 S * 6/1982 Eriksson et al. D10/114

(57) **CLAIM**

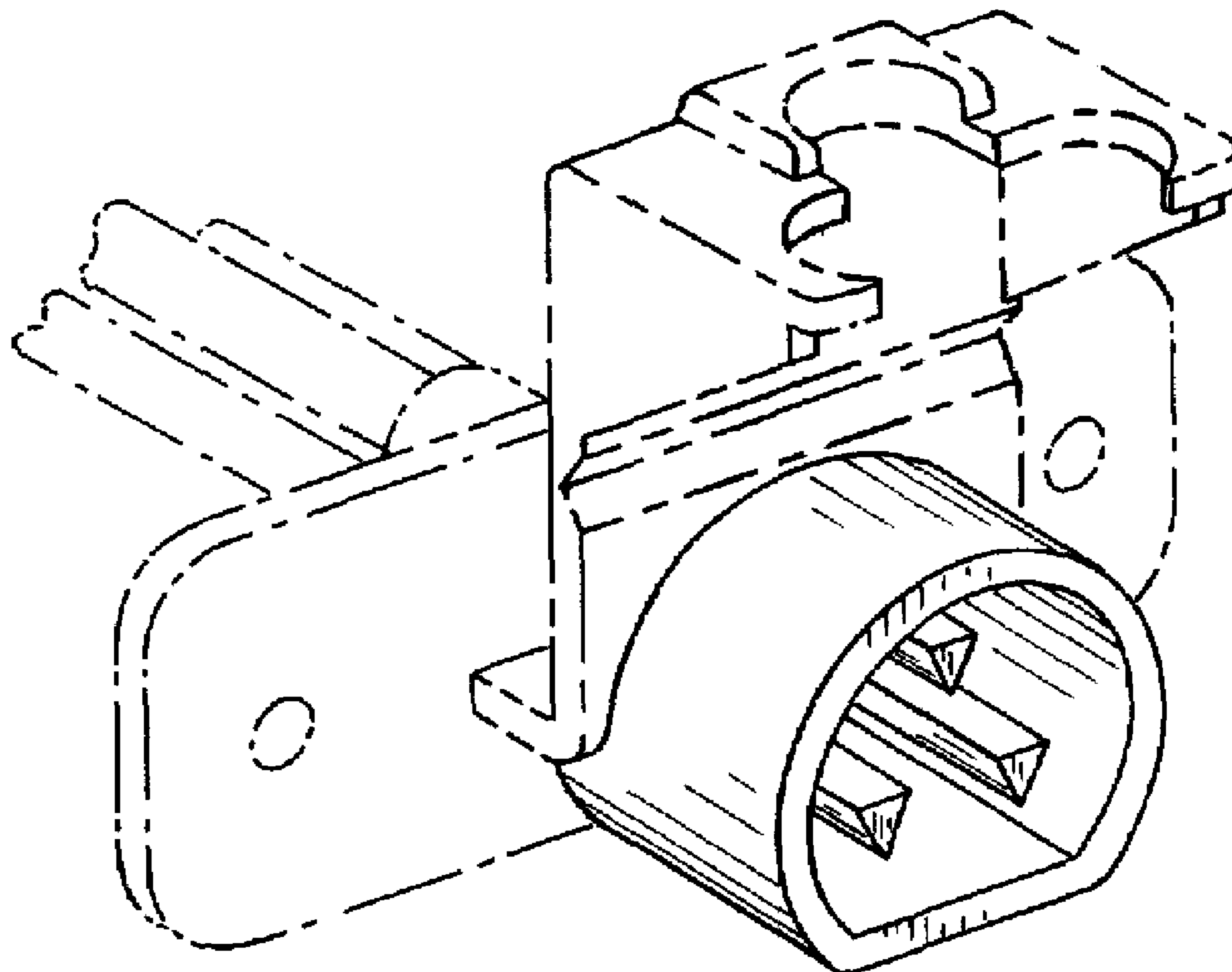
The ornamental design for an electrical connector, as shown and described.

DESCRIPTION

FIG. 1 is a perspective view of an electrical connector showing my new design;
 FIG. 2 is a side view thereof, the opposite side view being a mirror image thereto;
 FIG. 3 is a front view thereof;
 FIG. 4 is a rear view thereof;
 FIG. 5 is a top view thereof; and,
 FIG. 6 is a bottom view thereof.

The broken line showing of the environment is for illustrative purposes only and forms no part of the claimed design.

1 Claim, 2 Drawing Sheets



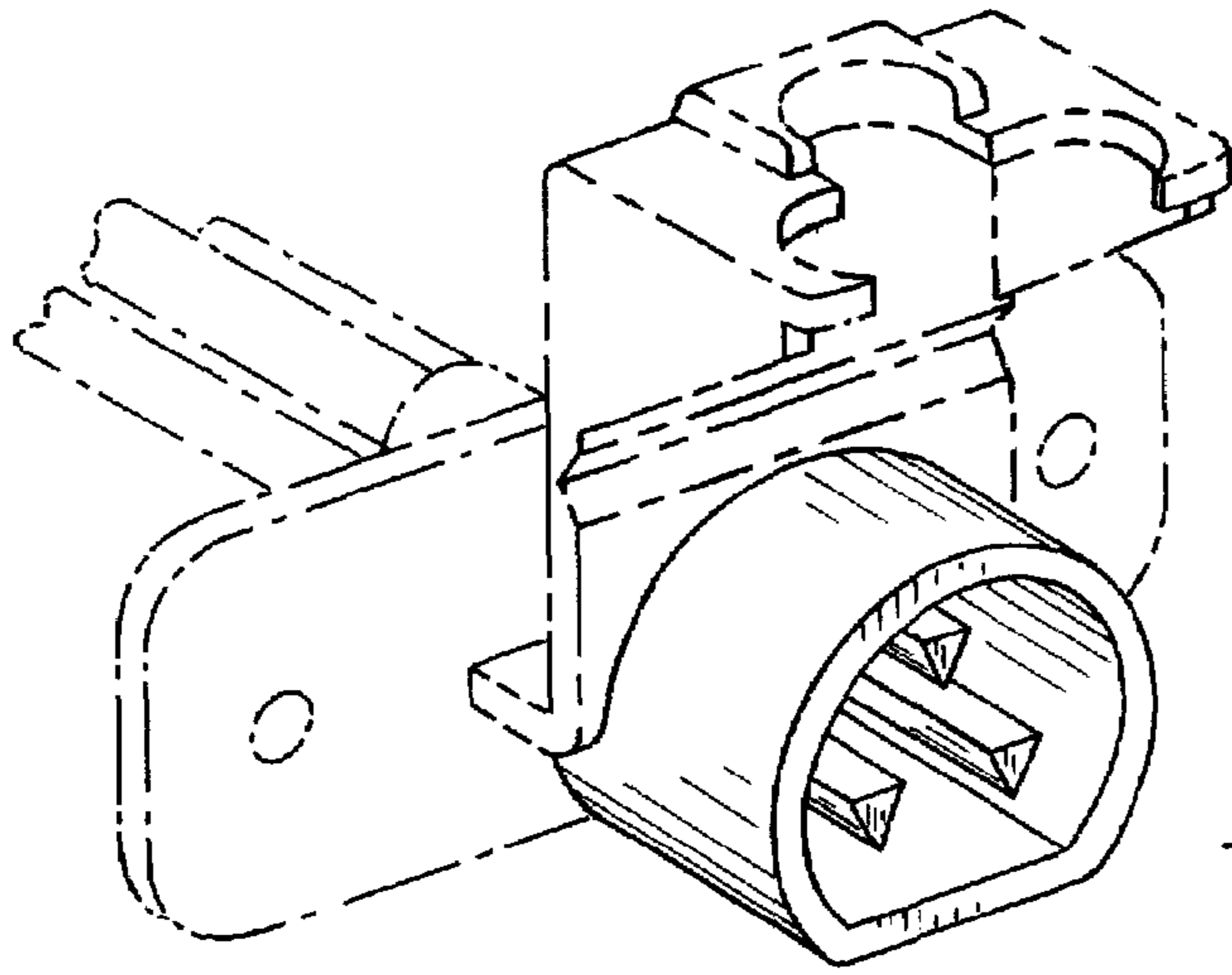


Fig. 1

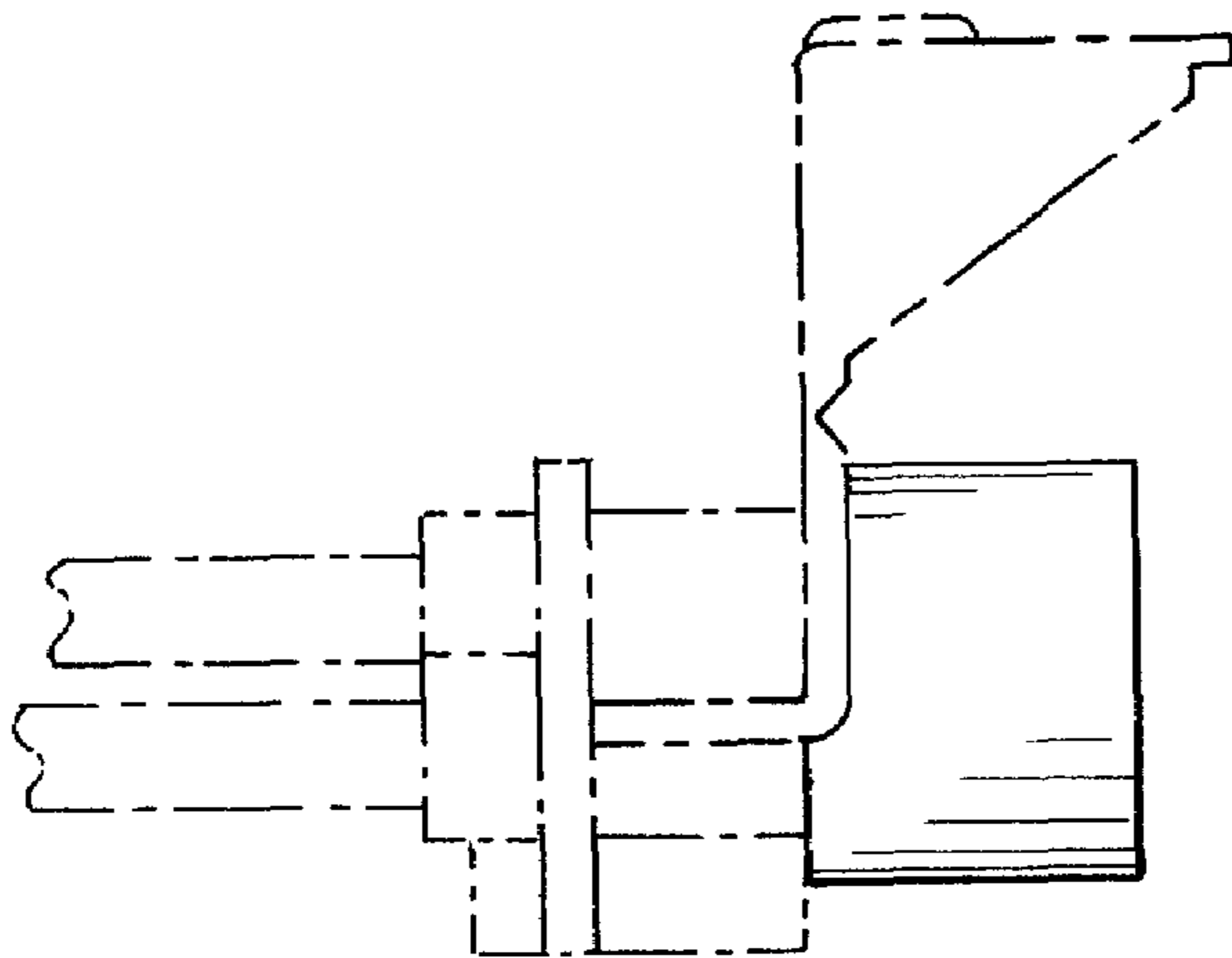


Fig. 2

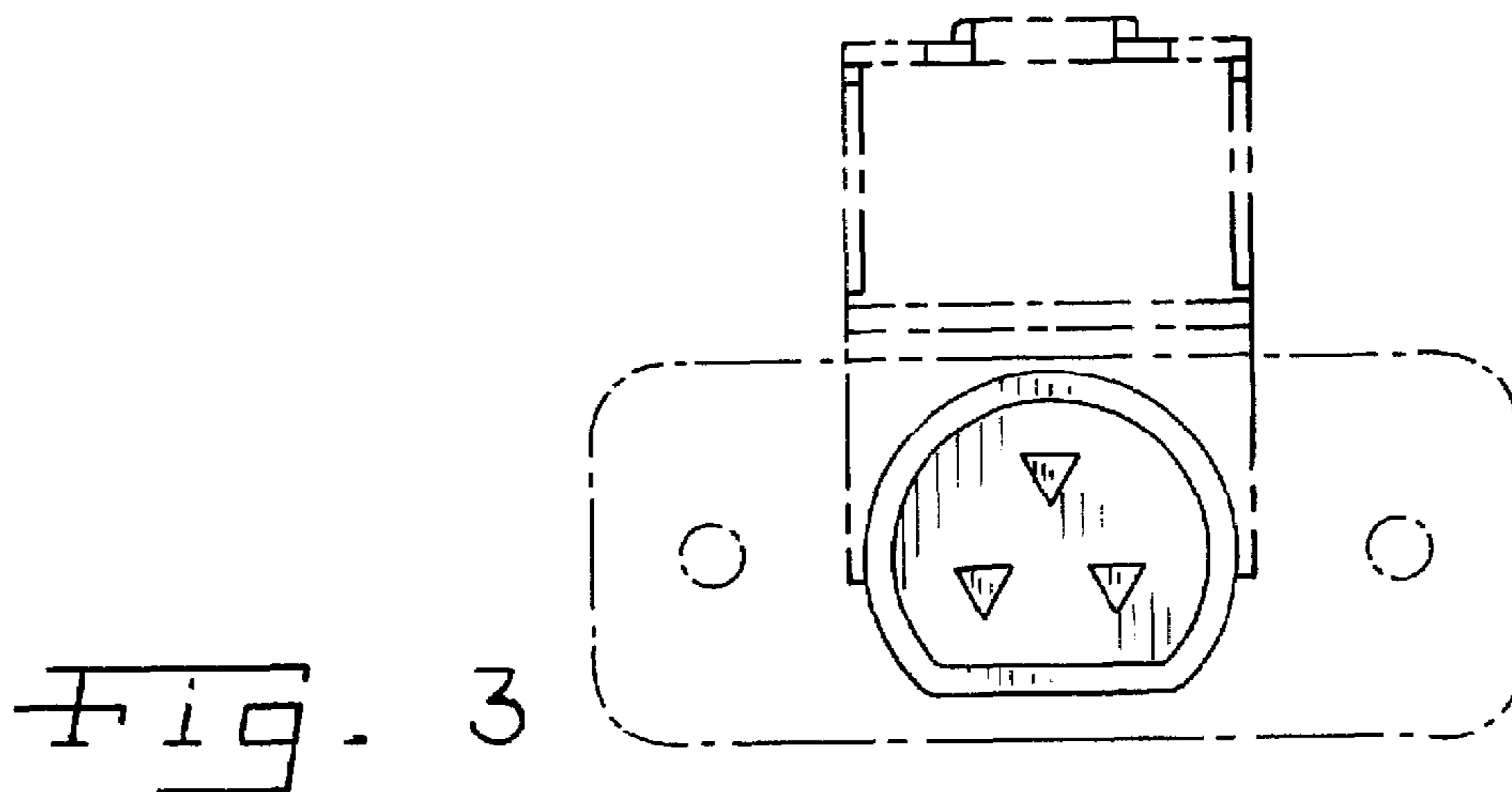


Fig. 3

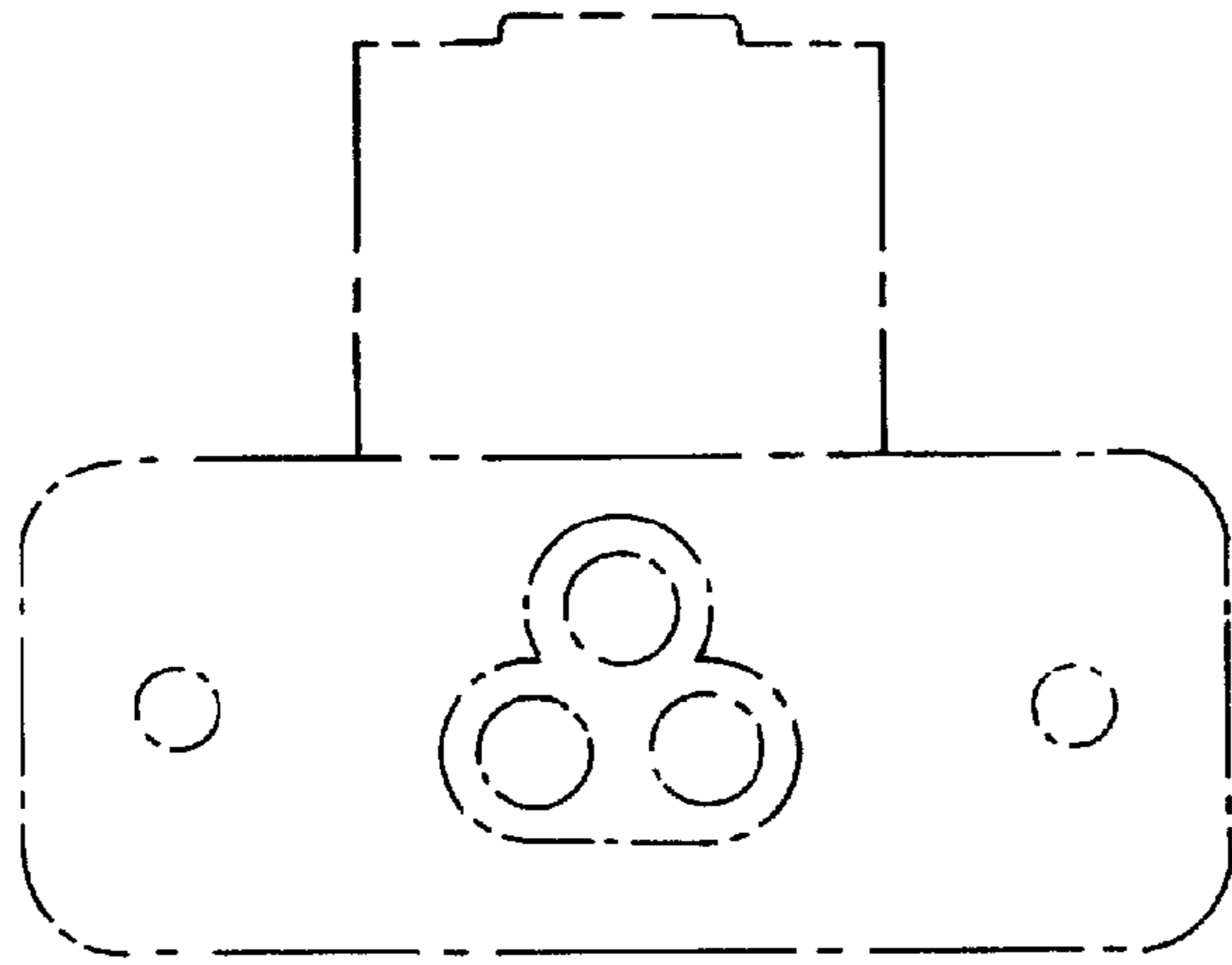


Fig. 4

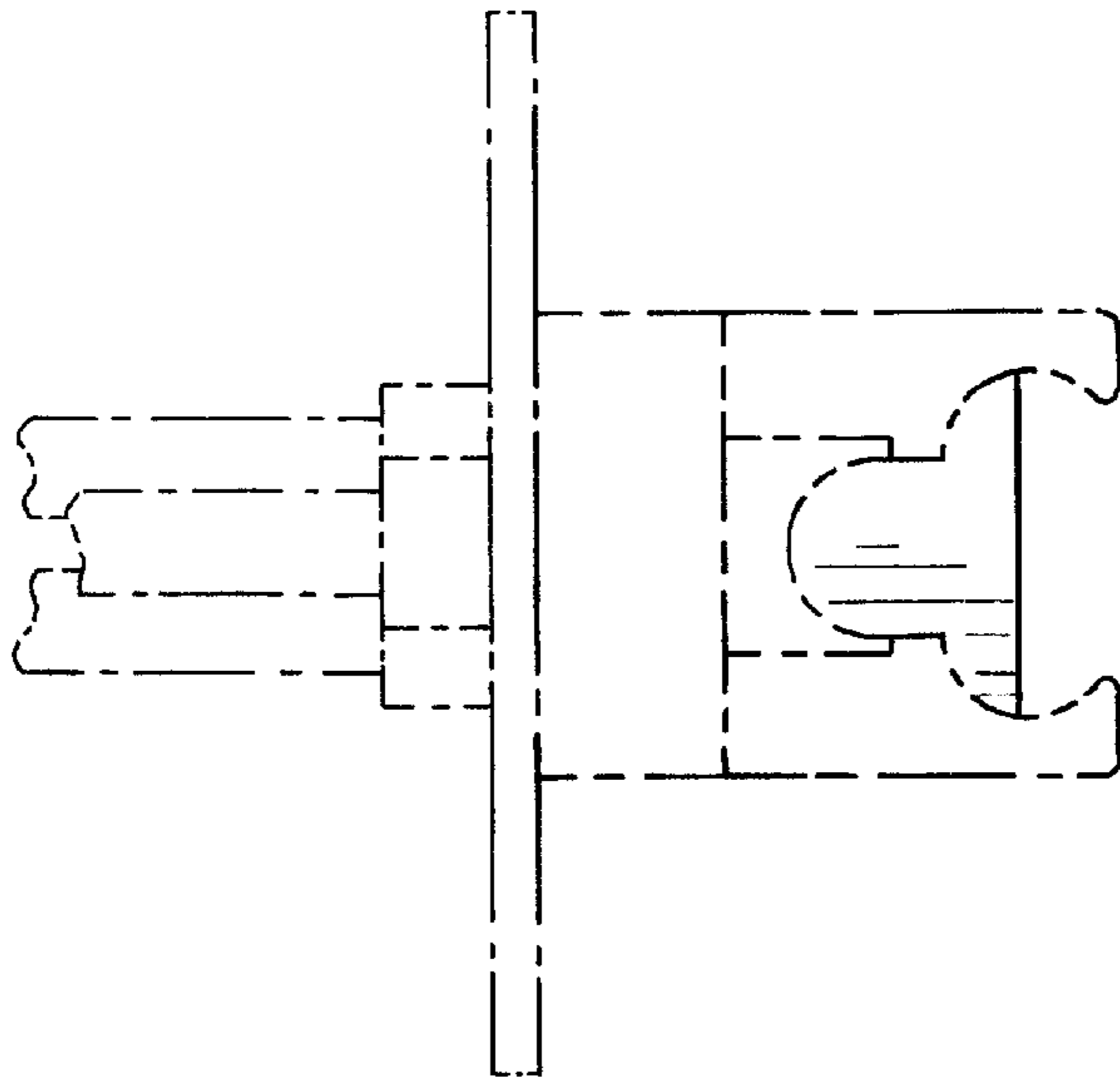


Fig. 5

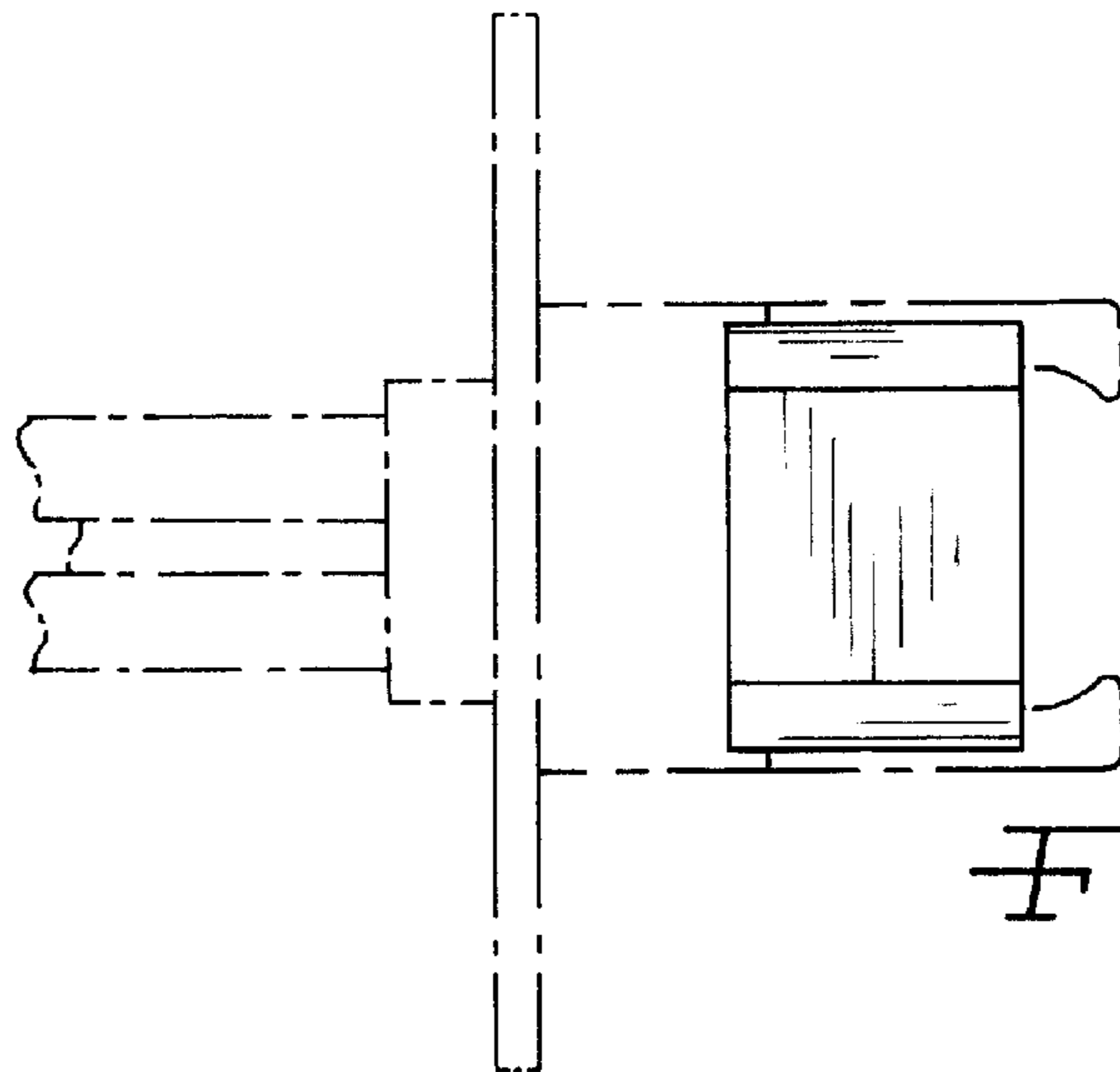


Fig. 6