



US00D560167S

(12) **United States Design Patent**
Malis et al.

(10) **Patent No.:** **US D560,167 S**
(45) **Date of Patent:** **** Jan. 22, 2008**

(54) **SURGICAL INSTRUMENT PLUG**
(75) Inventors: **Jerry L. Malis**, King of Prussia, PA (US); **Anthony John Groch**, Mantua, NJ (US); **Robert R. Acorcey**, Cherry Hill, NJ (US)

3,738,879 A 6/1973 Siemens
3,813,310 A 5/1974 Droege et al.
3,839,108 A 10/1974 Leinkram
3,901,242 A 8/1975 Storz

(Continued)

(73) Assignee: **Synergetics USA, Inc.**, King of Prussia, PA (US)

DD 252284 A3 12/1987

(Continued)

(**) Term: **14 Years**

(21) Appl. No.: **29/277,892**

Primary Examiner—Daniel Bui
(74) *Attorney, Agent, or Firm*—Akin Gump Strauss Hauer & Feld LLP

(22) Filed: **Mar. 13, 2007**

(57) **CLAIM**

Related U.S. Application Data

The ornamental design for a surgical instrument plug, as shown and described.

(62) Division of application No. 29/246,472, filed on Apr. 17, 2006, now Pat. No. Des. 547,867.

DESCRIPTION

(51) **LOC (8) Cl.** **13-03**
(52) **U.S. Cl.** **D13/146**
(58) **Field of Classification Search** D13/133,
D13/154, 146–147, 184, 199; D24/129,
D24/133, 144; 606/39, 151; 439/502, 504,
439/505

FIG. 1 is a top perspective of a surgical instrument plug in accordance with our new design;

FIG. 2 is a right side elevational view of the plug shown in FIG. 1;

FIG. 3 is a left side elevational view of the plug shown in FIG. 1;

FIG. 4 is a front elevation view of the plug shown in FIG. 1;

FIG. 5 is a rear elevation view of the plug shown in FIG. 1;

FIG. 6 is a top plan view of the plug shown in FIG. 1; and,

FIG. 7 is a bottom plan view of the plug shown in FIG. 1.

The broken lines in the figures are for illustrative purposes only and form no part of the claimed design.

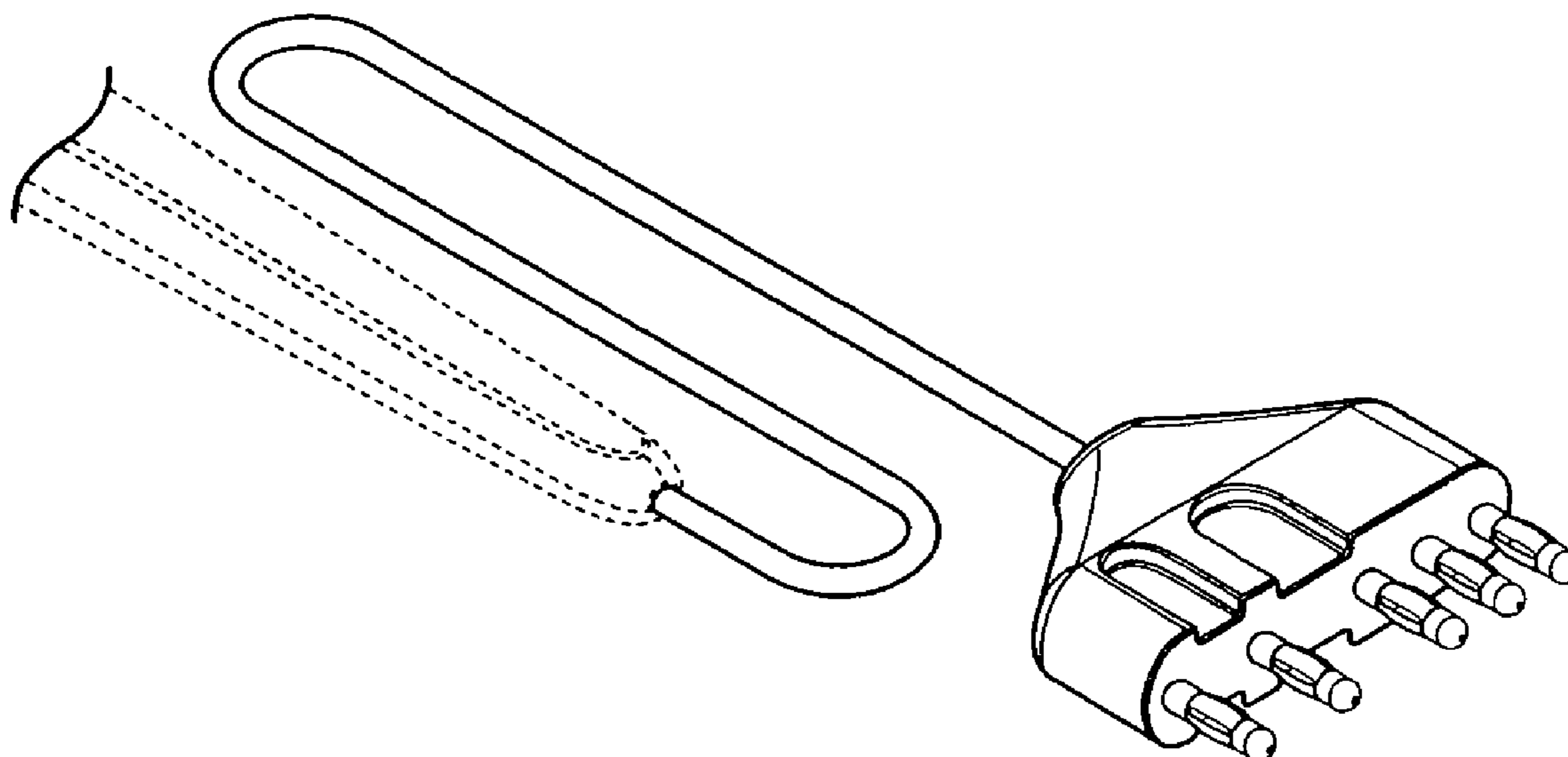
See application file for complete search history.

(56) **References Cited**

U.S. PATENT DOCUMENTS

D86,515 S * 3/1932 Cox D13/147
2,377,540 A 6/1945 Costa
3,234,356 A 2/1966 Babb
3,526,750 A 9/1970 Siegel
3,647,584 A 3/1972 Duffy
3,679,500 A 7/1972 Kubo et al.
3,708,295 A 1/1973 Schumacher

1 Claim, 3 Drawing Sheets



US D560,167 S

U.S. PATENT DOCUMENTS

3,920,021	A	11/1975	Hilterbrandt
3,959,527	A	5/1976	Droege
3,970,088	A	7/1976	Morrison
3,987,795	A	10/1976	Morrison
4,043,342	A	8/1977	Morrison, Jr.
4,051,855	A	10/1977	Schneiderman
4,060,087	A	11/1977	Hiltebrandt et al.
4,074,718	A	2/1978	Morrison, Jr.
4,116,198	A	9/1978	Roos
4,161,950	A	7/1979	Doss et al.
4,202,337	A	5/1980	Hren et al.
4,228,800	A	10/1980	Degler, Jr. et al.
4,232,676	A	11/1980	Herczog
4,248,231	A	2/1981	Herczog et al.
4,269,174	A	5/1981	Adair
4,301,802	A	11/1981	Poler
4,380,876	A	4/1983	Strassburg
4,482,426	A	11/1984	Maynard et al.
4,532,924	A	8/1985	Auth et al.
4,548,207	A	10/1985	Reimels
D281,681	S *	12/1985	Kaufman D13/133
4,578,318	A	3/1986	Schoch et al.
4,637,390	A	1/1987	Sorochenko
4,637,392	A	1/1987	Sorochenko
4,649,937	A	3/1987	DeHaan et al.
4,651,734	A	3/1987	Doss et al.
4,674,498	A	6/1987	Stasz
4,674,499	A	6/1987	Pao
4,684,438	A	8/1987	Lazzari
4,686,980	A	8/1987	Williams et al.
4,706,667	A	11/1987	Roos
4,711,239	A	12/1987	Sorochenko et al.
4,711,800	A	12/1987	DiVincenzo
4,765,331	A	8/1988	Petruzzi et al.
4,802,476	A	2/1989	Noerenberg et al.
4,805,616	A	2/1989	Pao
4,818,962	A	4/1989	Molaine et al.
4,823,791	A	4/1989	D'Amelio et al.
4,860,745	A	8/1989	Farin et al.
4,862,890	A	9/1989	Stasz et al.
4,876,110	A	10/1989	Blanch
4,905,691	A	3/1990	Rydell
4,922,903	A	5/1990	Welch et al.
4,936,281	A	6/1990	Stasz
4,936,842	A	6/1990	D'Amelio et al.
5,007,908	A	4/1991	Rydell
5,009,656	A	4/1991	Reimels
5,013,312	A	5/1991	Parins et al.
5,071,419	A	12/1991	Rydell et al.

5,073,233	A	12/1991	Banks et al.
5,084,045	A	1/1992	Helenowski
5,089,002	A	2/1992	Kirwan, Jr.
5,120,396	A	6/1992	Chen
5,125,927	A	6/1992	Belanger
D327,871	S *	7/1992	Jacobs D13/133
5,171,311	A	12/1992	Rydell et al.
5,192,280	A	3/1993	Parins
5,197,964	A	3/1993	Parins
5,269,782	A	12/1993	Sutter
5,281,216	A	1/1994	Klicek
5,282,799	A	2/1994	Rydell
5,290,285	A	3/1994	Kirwan, Jr.
5,290,286	A	3/1994	Parins
5,302,234	A	4/1994	Grace et al.
5,317,938	A	6/1994	de Juan, Jr. et al.
5,318,563	A	6/1994	Malis et al.
5,318,564	A	6/1994	Eggers
5,354,422	A	10/1994	Kato et al.
5,383,876	A	1/1995	Nardella
5,437,665	A	8/1995	Munro
5,451,224	A	9/1995	Goble et al.
5,542,945	A	8/1996	Fritsch
5,569,244	A	10/1996	Hahnen
5,593,406	A	1/1997	Eggers et al.
D393,067	S	3/1998	Geary et al.
5,733,283	A	3/1998	Malis et al.
5,855,061	A	1/1999	Malis et al.
5,860,975	A	1/1999	Goble et al.
5,895,386	A	4/1999	Odell et al.
5,913,856	A	6/1999	Chia et al.
5,984,919	A	11/1999	Hilal et al.
6,117,134	A	9/2000	Cunningham et al.
6,190,385	B1 *	2/2001	Tom et al. 606/48
D441,077	S	4/2001	Garito et al.
6,355,034	B2	3/2002	Cosmescu
6,402,748	B1	6/2002	Schoenman et al.
D547,867	S *	7/2007	Malis et al. D24/144
2002/0058938	A1	5/2002	Cosmescu
2003/0125732	A1	7/2003	Goble
2003/0130658	A1	7/2003	Goble

FOREIGN PATENT DOCUMENTS

DD	257348	A3	6/1988
DE	2525982		12/1976
EP	0280972	A1	9/1988
EP	0294063	A2	12/1988
JP	3123049	A	5/1991
WO	9113719	A1	7/1993

* cited by examiner

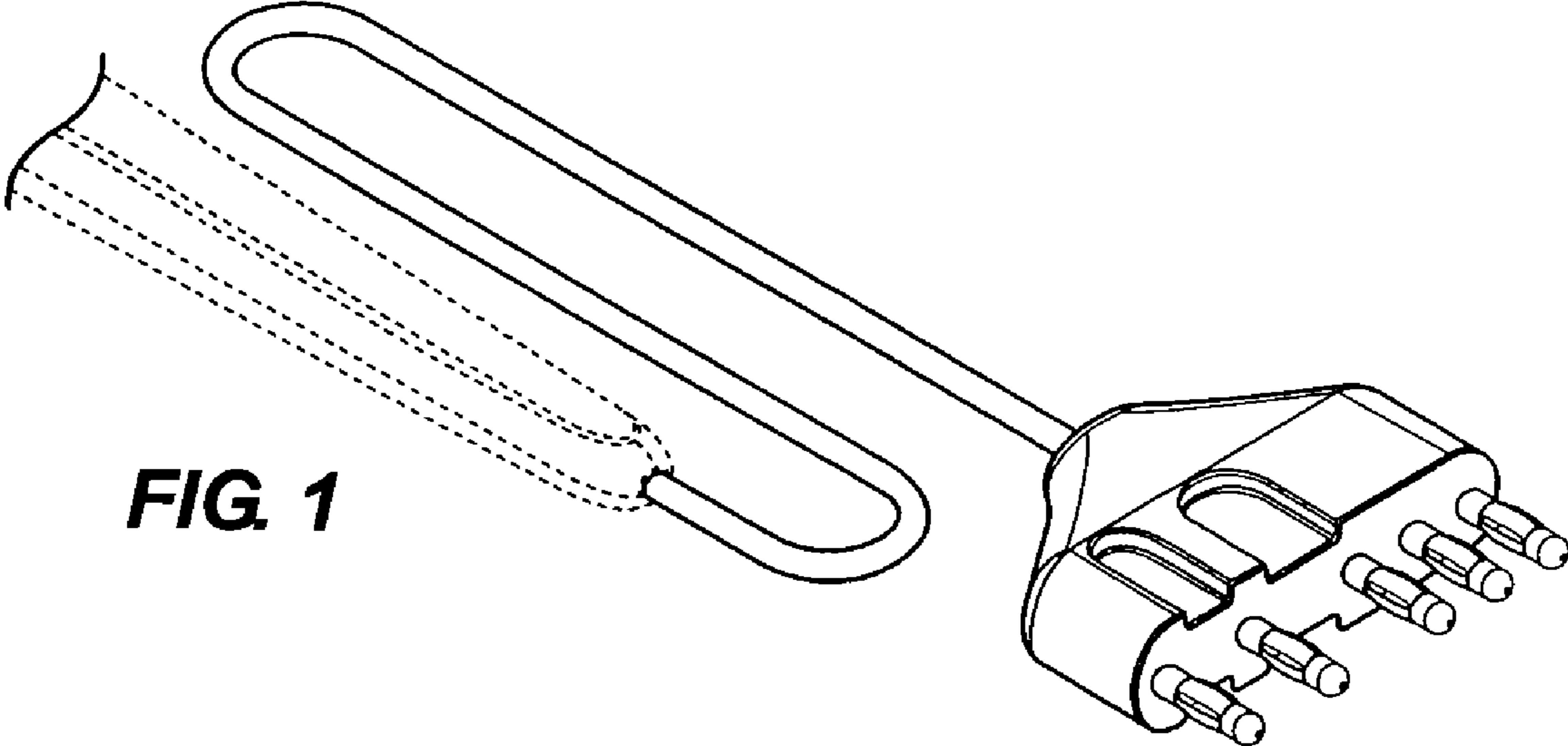


FIG. 1

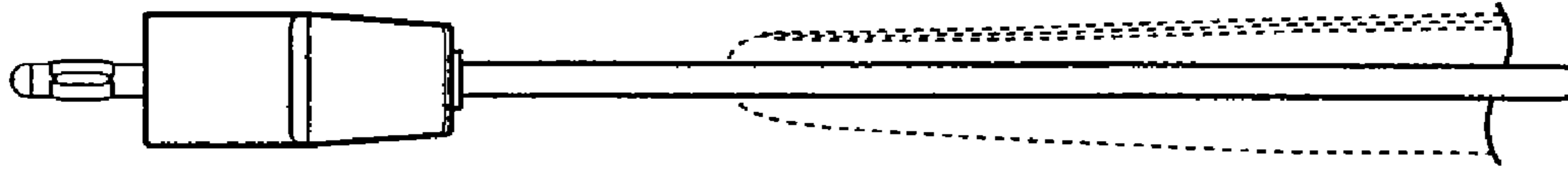


FIG. 2

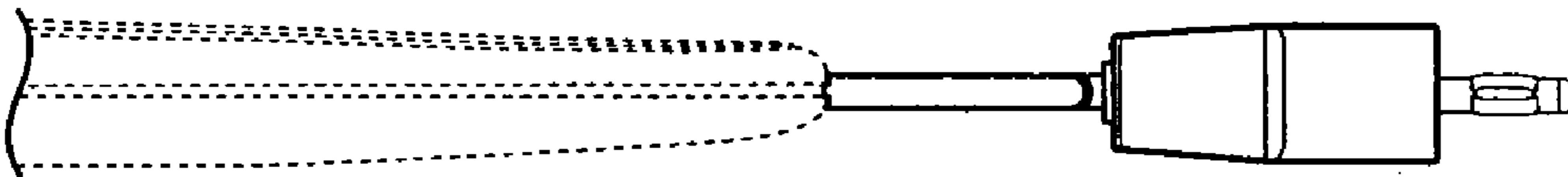


FIG. 3

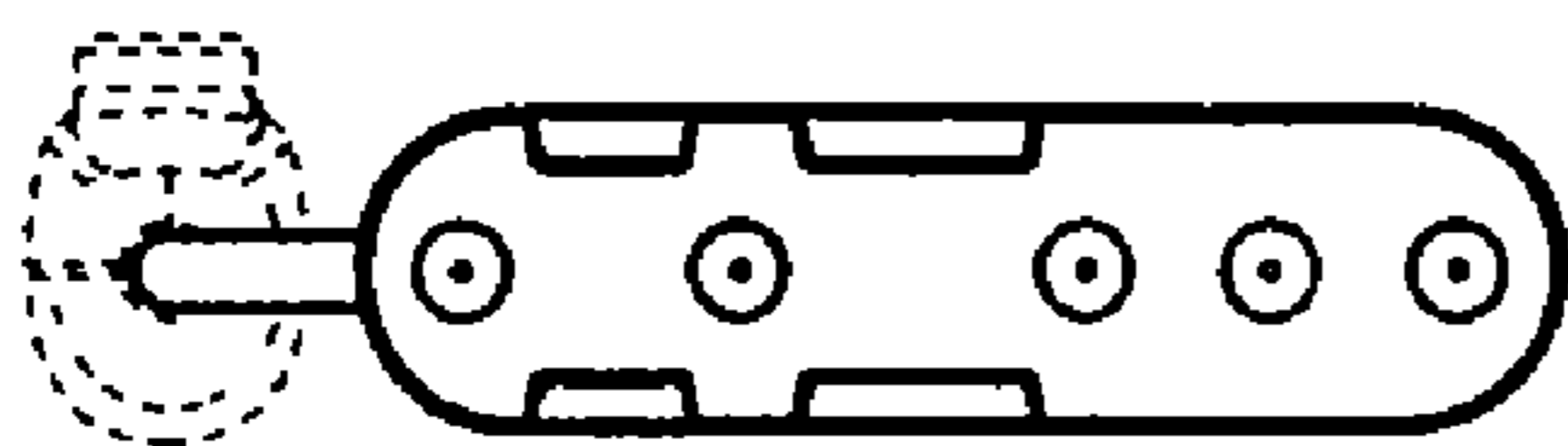


FIG. 4

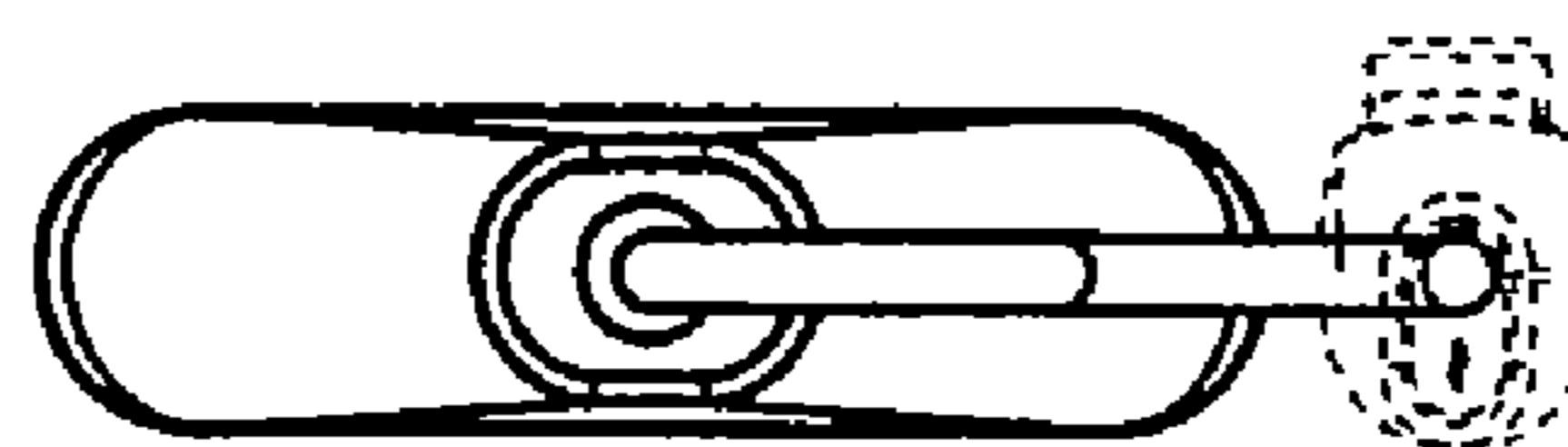


FIG. 5

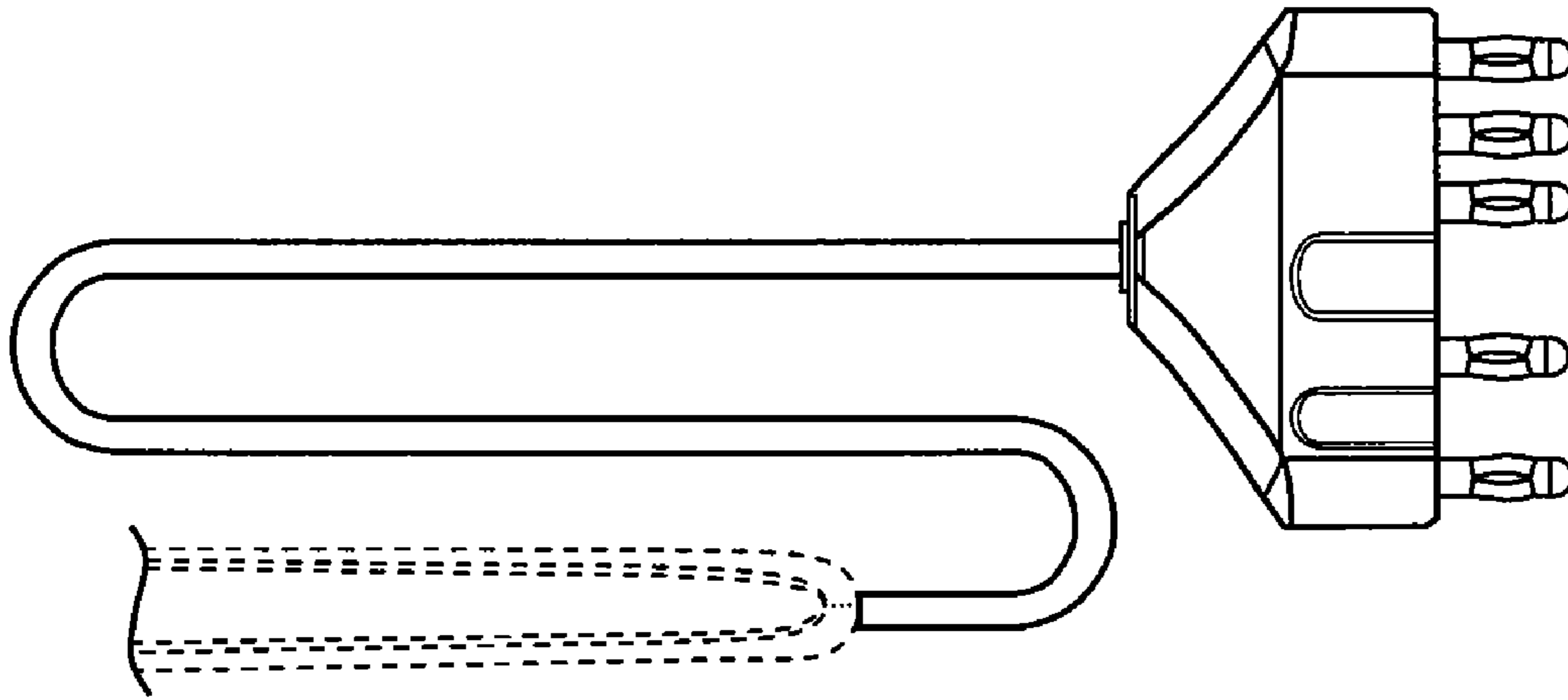


FIG. 6

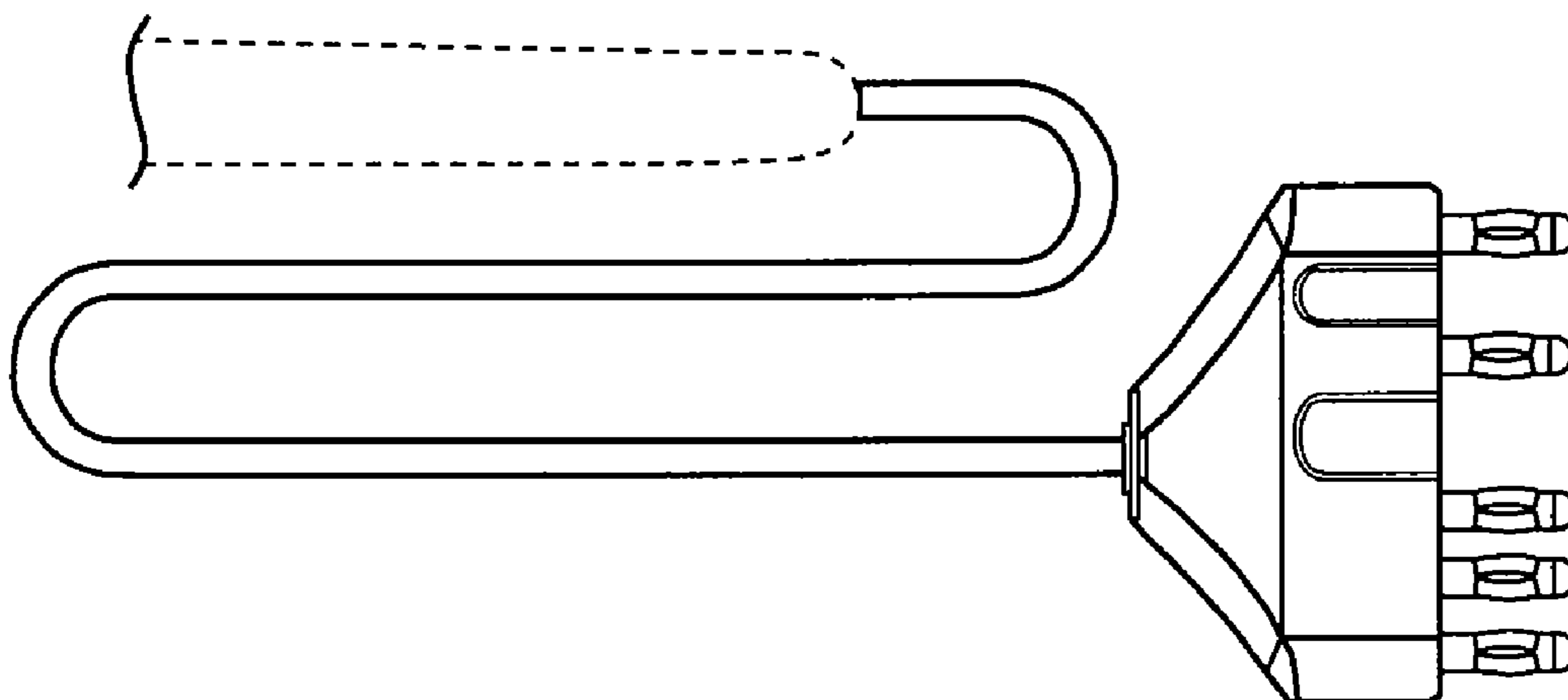


FIG. 7