



US00D560166S

(12) **United States Design Patent** (10) **Patent No.:** **US D560,166 S**  
**Andre et al.** (45) **Date of Patent:** **\*\* Jan. 22, 2008**

(54) **ELECTRONIC DEVICE HOLDER**

FOREIGN PATENT DOCUMENTS

(75) Inventors: **Bartley K. Andre**, Menlo Park, CA (US); **Daniel J. Coster**, San Francisco, CA (US); **Daniele De Iuliis**, San Francisco, CA (US); **Richard P. Howarth**, San Francisco, CA (US); **Jonathan P. Ive**, San Francisco, CA (US); **Duncan Robert Kerr**, San Francisco, CA (US); **Shin Nishibori**, San Francisco, CA (US); **Matthew Dean Rohrbach**, San Francisco, CA (US); **Douglas B. Satzger**, Menlo Park, CA (US); **Calvin Q. Seid**, Palo Alto, CA (US); **Christopher J. Stringer**, Portola Valley, CA (US); **Eugene Antony Whang**, San Francisco, CA (US); **Rico Zorkendorfer**, San Francisco, CA (US)

JP D1085073 9/2000

(Continued)

OTHER PUBLICATIONS

U.S. Appl. No. 29/237,086, entitled "Lanyard" filed Aug. 24, 2005.

(Continued)

*Primary Examiner*—Daniel Bui  
(74) *Attorney, Agent, or Firm*—Beyer Weaver LLP

(57) **CLAIM**

The ornamental design for an electronic device holder, substantially shown and described.

**DESCRIPTION**

FIG. 1 is a front, top and right side perspective view of an electronic device holder, showing our new design.

FIG. 2 is a top plan view thereof.

FIG. 3 is a bottom plan view thereof.

FIG. 4 is a front elevation view thereof.

FIG. 5 is a rear elevation view thereof.

FIG. 6 is a right side elevation view thereof.

FIG. 7 is a left side elevation view thereof.

FIG. 8 is a top view thereof, in use condition; and,

FIG. 9 is another top view thereof, in use condition.

The broken line showing of the environment in FIGS. 8 and 9 is for illustrative purposes only and forms no part of the claimed design. The broken line showing of a media device attached thereto in FIG. 9 is described in the U.S. application Ser. No. 29/265,520, filed Sep. 1, 2006, which is herein incorporated by reference.

All of the material from the U.S. application Ser. No. 29/265,520, which is essential to the claimed design is included herein. Any material in the U.S. application Ser. No. 29/265,520 which is not present herein forms no part of the claimed design.

(73) Assignee: **Apple Inc.**, Cupertino, CA (US)

(\*\*) Term: **14 Years**

(21) Appl. No.: **29/265,950**

(22) Filed: **Sep. 11, 2006**

(51) **LOC (8) Cl.** ..... **13-03**

(52) **U.S. Cl.** ..... **D13/133; D14/217; D14/223**

(58) **Field of Classification Search** ..... **D13/133, D13/146-147, 154, 184; D3/215, 218; D14/188, D14/226, 251, 256, 496, 217, 223; 439/606, 439/638, 668-669, 701, 740**

See application file for complete search history.

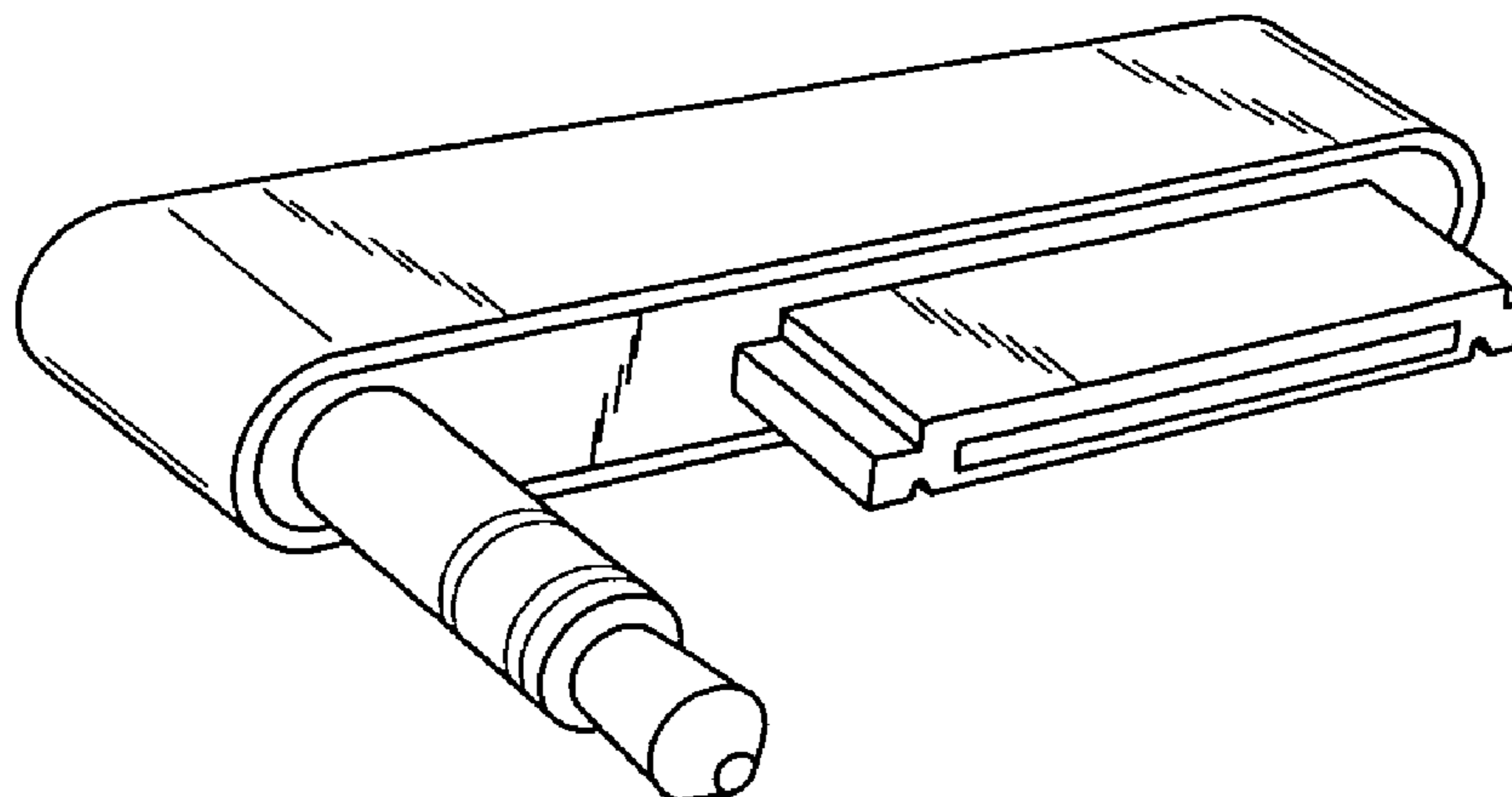
(56) **References Cited**

U.S. PATENT DOCUMENTS

3,532,837 A 10/1970 Dyar et al.  
D256,772 S 9/1980 Helgren  
4,406,042 A 9/1983 Mcphee  
4,649,570 A 3/1987 Terbrack et al.

(Continued)

**1 Claim, 3 Drawing Sheets**



U.S. PATENT DOCUMENTS

D316,550	S	4/1991	Sogabe	
D318,473	S	7/1991	Miyashita et al.	
D318,670	S	7/1991	Taniguchi	
D318,865	S	8/1991	Ichikawa	
D326,655	S	6/1992	Iribe	
D334,043	S	3/1993	Taniguchi et al.	
5,194,987	A	3/1993	Moore et al.	
D338,037	S	8/1993	Miller et al.	
D342,449	S	12/1993	Mattheis	
D372,420	S	8/1996	Mendez	
5,640,459	A	6/1997	Hedeem	
5,666,702	A	9/1997	Ming-Chieh	
5,708,706	A	1/1998	Hughes et al.	
D437,485	S	2/2001	Hicks et al.	
6,392,882	B1	5/2002	Chen et al.	
D460,432	S	7/2002	Brown	
D462,523	S	9/2002	Kalbach	
D462,689	S	9/2002	Moran	
D467,416	S	12/2002	Kalbach	
6,517,031	B2	2/2003	Uchiyama	
6,550,108	B2	4/2003	Pratl	
D475,850	S	6/2003	Andre et al.	
D476,149	S	6/2003	Andre et al.	
6,616,487	B1 *	9/2003	Lai ..... 439/668	
D481,377	S	10/2003	Eguchi	
6,675,446	B2	1/2004	Buettell	
6,691,382	B1	2/2004	Su	
6,711,785	B1	3/2004	Hicks et al.	
D494,450	S	8/2004	Schultz et al.	
6,776,317	B1	8/2004	Parker	
D500,302	S	12/2004	Deguchi	
D500,485	S	1/2005	Deguchi	
6,871,732	B2	3/2005	Flint et al.	
D507,261	S *	7/2005	Griffin ..... D14/226	
D509,819	S	9/2005	Yang	
D511,157	S	11/2005	Johnson	
6,991,497	B1 *	1/2006	Lin ..... 439/668	
D514,552	S	2/2006	Lee et al.	
D515,545	S *	2/2006	Griffin ..... D14/155	
D519,731	S	5/2006	Andre et al.	
D519,928	S *	5/2006	Lai ..... D13/146	
D519,993	S	5/2006	Montgomery et al.	
7,099,467	B1	8/2006	Rohrbach	
D527,723	S *	9/2006	Andre et al. .... D14/217	
D529,044	S	9/2006	Andre et al.	
D529,868	S *	10/2006	Shimizu ..... D13/147	
D530,340	S	10/2006	Andre et al.	
D530,342	S	10/2006	Lee et al.	
D531,619	S *	11/2006	Chau ..... D14/217	
D531,991	S *	11/2006	Chau ..... D14/217	
D534,065	S	12/2006	Andre et al.	
D534,149	S *	12/2006	Griffin ..... D14/155	
7,148,418	B2	12/2006	Ku et al.	
D534,896	S *	1/2007	Lin ..... D14/188	
D534,921	S	1/2007	Andre et al.	
D538,820	S	3/2007	Andre et al.	

FOREIGN PATENT DOCUMENTS

JP	D1085080	9/2000
JP	D1089527	10/2000
JP	D1089528	10/2000
JP	D1089529	10/2000
JP	D1105429	4/2001
JP	D1106452	4/2001
JP	D1121650	9/2001
JP	D1123108	10/2001
JP	D1129386	12/2001
JP	D1129387	12/2001
JP	D1106151	8/2002
JP	D1089530	10/2002

JP	D1131037	10/2002
JP	D1154927	10/2002
JP	D1174623	6/2003
JP	D1174710	6/2003
JP	D1185408	9/2003
JP	D1188267	10/2003
JP	D1191223	12/2003
JP	D1193941	1/2004
JP	D1211811	7/2004
JP	D1211812	7/2004

OTHER PUBLICATIONS

U.S. Appl. No. 29/237,287 entitled "Electronic Device Holder" filed Aug. 24, 2005.

U.S. Appl. No. 29/220,176 entitled "Electronic Device Holder" filed Dec. 23, 2004.

"ICE Bud: Lanyard Headphones for iPod® nano and shuffle", [www.macally.com/spec.ipod/icebud.html](http://www.macally.com/spec.ipod/icebud.html), downloaded Nov. 10, 2005, 1 page.

"ASCII" weekly publication issued on Jul. 29, 21003, No. 450, Design of USB Memory Audio Player (JPO publicly known Design No. HA15013509) received by the National Center for Industrial Property Information on Jul. 15, 2003, 1 page.

"Crucial Gizmo! Hi/Speed 512MB USB Flash Drive", Xtreme Resources: Your Xtreme Hardware Review and News Zone!, [www.xtremeresources.com](http://www.xtremeresources.com), downloaded Nov. 23, 2005, 3 pages.

"USB Flash Drive / Style DE (Best Seller)", [www.memorysuppliers.com/usbfldrstde.html](http://www.memorysuppliers.com/usbfldrstde.html), downloaded Nov. 23, 2005, 6 pages.

"Iomega Mini USB Drives", [www.iomega.com](http://www.iomega.com), downloaded Nov. 23, 2005, 2 pages.

"Verbatim USB Drive Review: Store 'n' Go 512MB", [www.audioholics.com](http://www.audioholics.com), downloaded Nov. 23, 2005, 5 pages.

Gigabyte GO/U0128B 128MB USB Hard Drive Review / Pcstats.com, [www.pcstats.com](http://www.pcstats.com), downloaded Nov. 23, 2005, 3 pages.

"Lexar Media JumpDrive Classic USB Flash Drive with Lanyards, 128MB, 3 Pack", [www.compusa.com](http://www.compusa.com), downloaded Nov. 23, 2005, 2 pages.

"USB Drive, USB Pen Drive, USB Flash Drive, USB Thumb Drive, Flash Drives, 512MB, 1 GB, 2GB, 4GB, 8 GB", [www.supermediastore.com/usb/flash/drive/usb/flash/drives.html](http://www.supermediastore.com/usb/flash/drive/usb/flash/drives.html), downloaded Nov. 23, 2005, 4 pages.

"USB Drive, USB Pen Drive, USB Flash Drive, USB Thumb Drive, Flash Drives, 512MB, 1GB, 2GB, 4GB, 8GB", [www.supermediastore.com/usb/flash/drive/usb/flash/drives/pen/drives.html](http://www.supermediastore.com/usb/flash/drive/usb/flash/drives/pen/drives.html), downloaded Nov. 23, 2005, 4pages.

"USB Drive, USB Pen Drive, USB Flash Drive, USB Thumb Drive, Flash Drives, 512MB, 1GB, 2GB, 4GB, 8GB", [www.supermediastore.com/usb/flash/drive/usb/flash/drives/pen/drives.html](http://www.supermediastore.com/usb/flash/drive/usb/flash/drives/pen/drives.html), downloaded Nov. 23, 2005, 4pages.

"USB Flash Drives, USB Pen Drives, Portable Memory, Shop for USB Flash Drives" [www.flash/memory/store.com](http://www.flash/memory/store.com), downloaded Nov. 23, 2005, 3 pages.

"Sony Micro Vault 512MB USB 2.0 Flash Drive (00027242645561): Overview", [www.dealtime.com](http://www.dealtime.com), downloaded Nov. 23, 2005, 10 page.

"Philips KEY006 128MB MP3/WMA player/Thumb Drive with Neck Strap Remote", [www.amazon.com](http://www.amazon.com), downloaded Nov. 22, 2005, 2 pages.

Joybee 125 MP3 Player, 128MB, Orange (DA125/128MB/Orange), [www.amazon.com](http://www.amazon.com), downloaded Nov. 22, 2005, 2 pages.

"NEO PIX Live 256 Mb MP3 USB 2.0 USB key", [www.pixmania.co.uk](http://www.pixmania.co.uk), downloaded Nov. 22, 2005, 3 pages.

"iRiver 1GBMP3 Player with FM Tuner", [www.circuitcity.com](http://www.circuitcity.com), downloaded Nov. 22, 2005, 1 page.

"Sony Network Walkman Digital Music Player", [www.circuitcity.com](http://www.circuitcity.com), downloaded Nov. 22, 2005, 1 page.

"Samsung 1GB USB Direct/Insert MP3 Player", [www.circuitcity.com](http://www.circuitcity.com), downloaded Nov. 22, 2005, 1 page.

"Samsung 512MB Portable Digital Audio Player", [www.circuitcity.com](http://www.circuitcity.com), downloaded Nov. 22, 2005, 1 page.

"iRiver 512MB MP3 Jukebox with Color Display", [www.circuitcity.com](http://www.circuitcity.com), downloaded Nov. 22, 2005, 1 page.

## US D560,166 S

Page 3

---

“Samsung 512MB USB Direct/Insert MP3 Player”, www.circuitcity.com. . ., downloaded Nov. 22, 2005, 1 page.

“Creative Zen Nano 512MB MP3 Player (White)”, www.circuitcity.com. . ., downloaded Nov. 22, 2005, 1 page.

“SanDisk 512MB MP3 Player”, www.circuitcity.com. . ., downloaded Nov. 22, 2005, 1 pages.

“YoYo/128MB”, www.usb/mp3player.co.uk, downloaded Nov. 22, 2005, 1 page.

“Aigo BY06/128MB”, www.usb/mp3players.co.uk, downloaded Nov. 22, 2005, 1 page.

“Sigmatel USB Mp3 player”, www.intomusic.co.uk/scripts/usb/mp3/wma/player.asp, downloaded Nov. 22, 2005, 3 pages.

“Transcend 256MB T. Sonic 610 USB MP3 Player”, www.supermediastore.com. . ., downloaded Nov. 22, 2005, 3 pages.

“Apacer Audio Steno AS820 USB 512MB Flash Drive MP3 player FM Radio Line/In MP3 Conversion Voice”, www.supermidastore.com. . ., downloaded Nov. 22, 2005, 3 pages.

“Ennyah Digi Sound 701 Aluminum Case MP3 Player 212MB Silver”, www.supermediastore.com. . ., downloaded Nov. 22, 2005, 3 pages.

“Artwizz HangPhones Earphones”, <http://shop.ipodworld.co.uk>. . ., downloaded Jun. 27, 2005, 1 page.

“Rio eStore”, www.riohome.net/shop/bin. . . downloaded Jun. 15, 2005, 1 page.

“PN10 512MB”, www.iriveramerica.com. . ., downloaded Aug. 23, 2005, 2 pages.

“iDiddy”, www.iddiddy.com downloaded Aug. 24, 2005, 10 pages.

\* cited by examiner

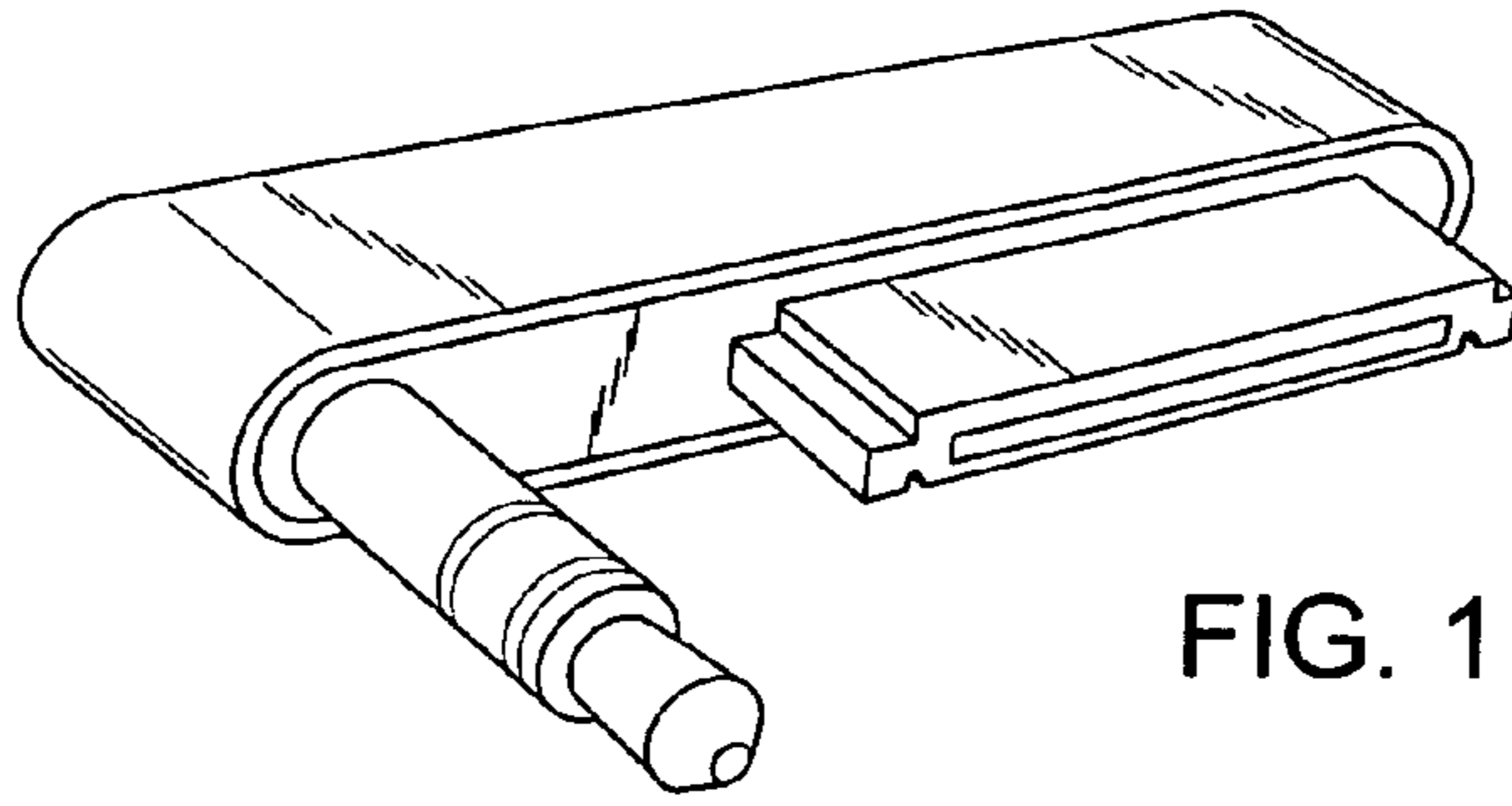


FIG. 1

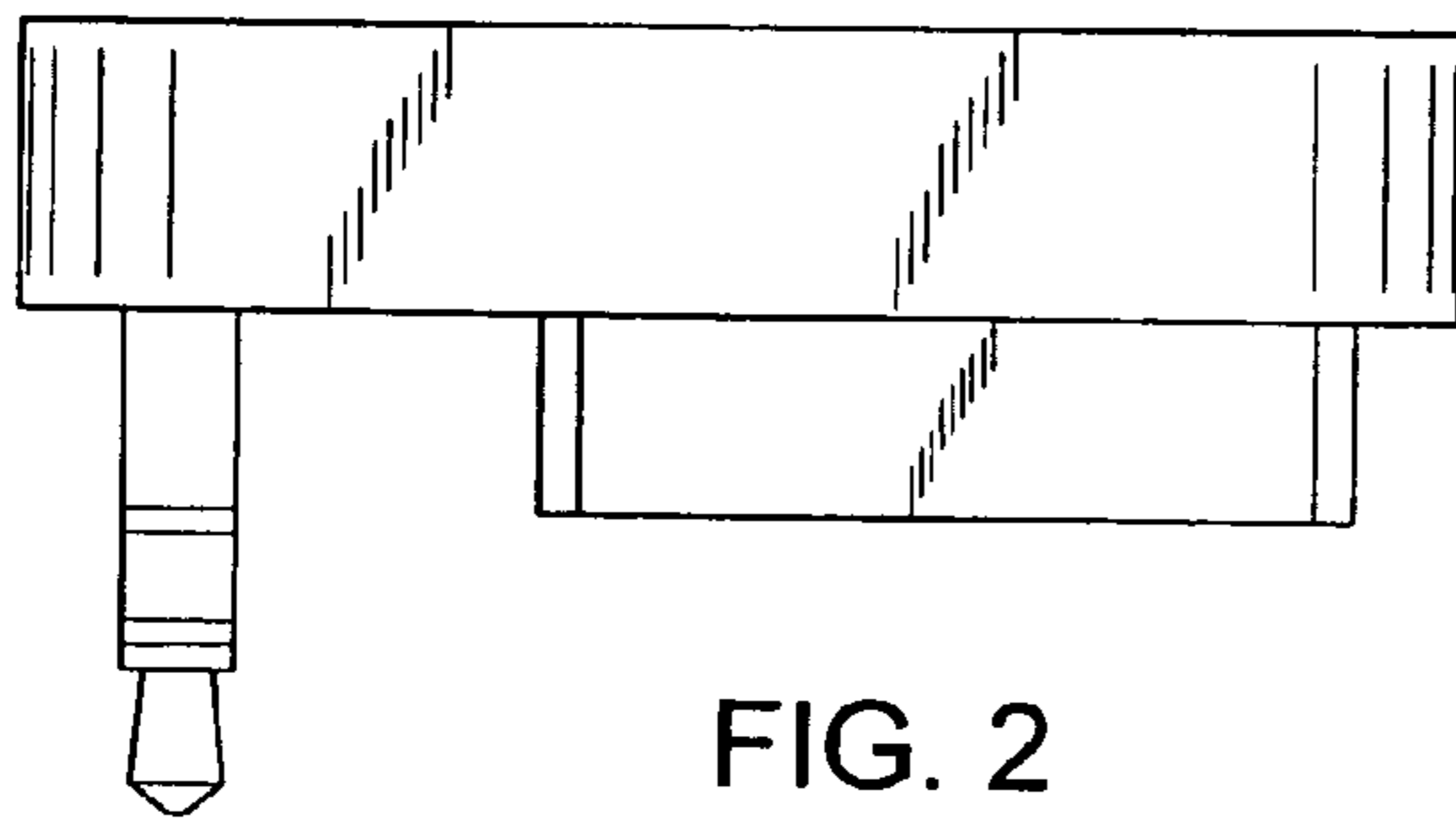


FIG. 2

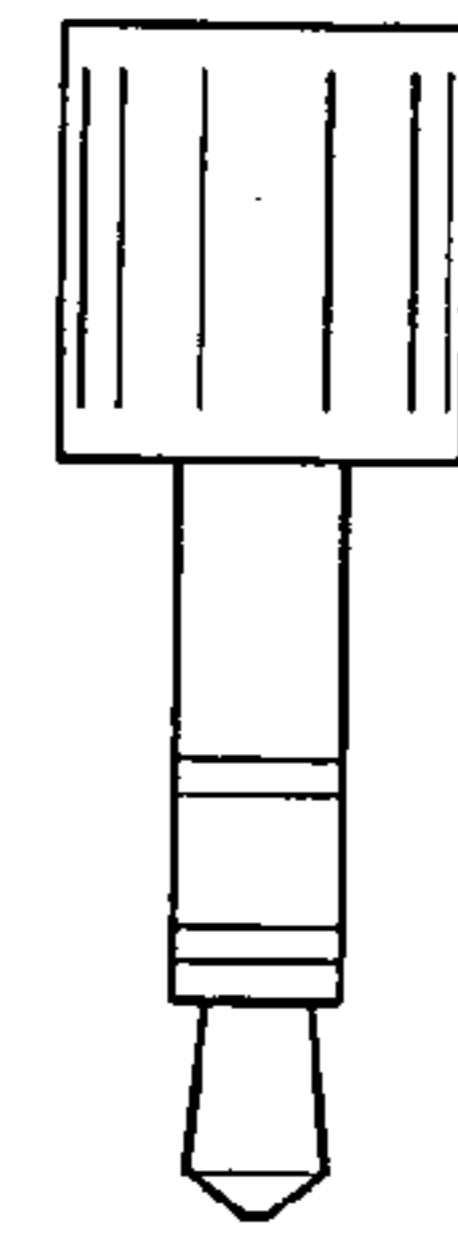


FIG. 6

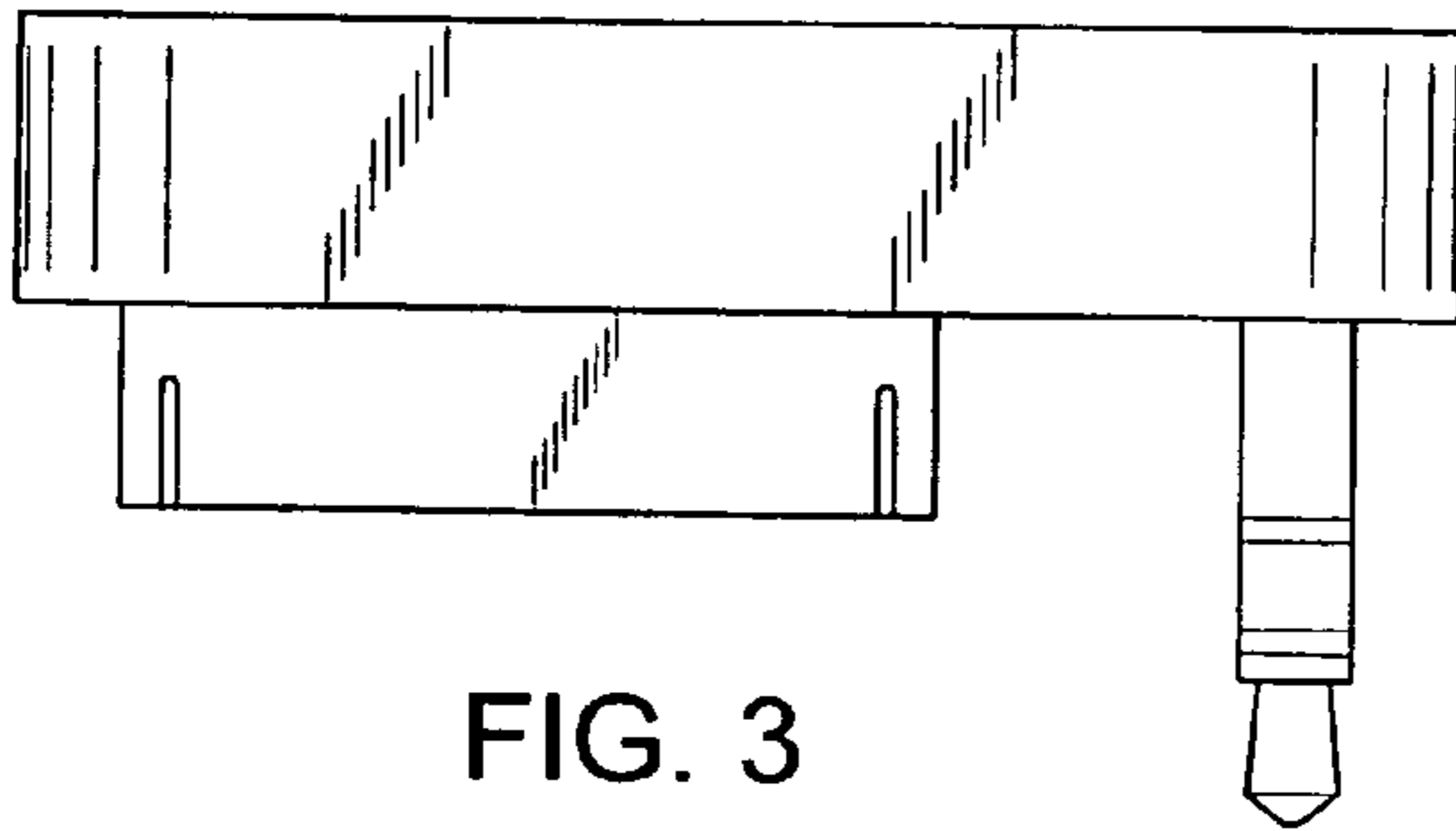


FIG. 3

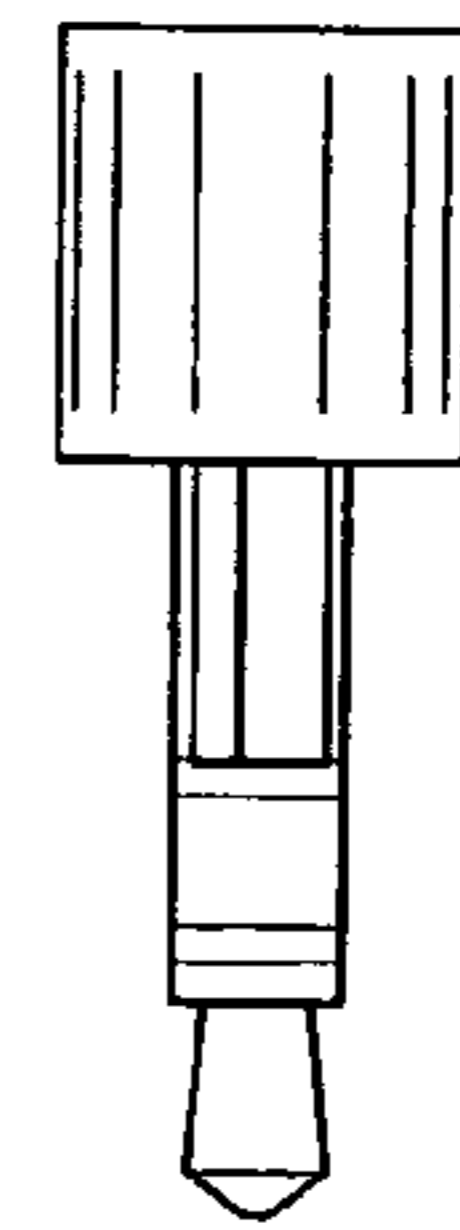


FIG. 7

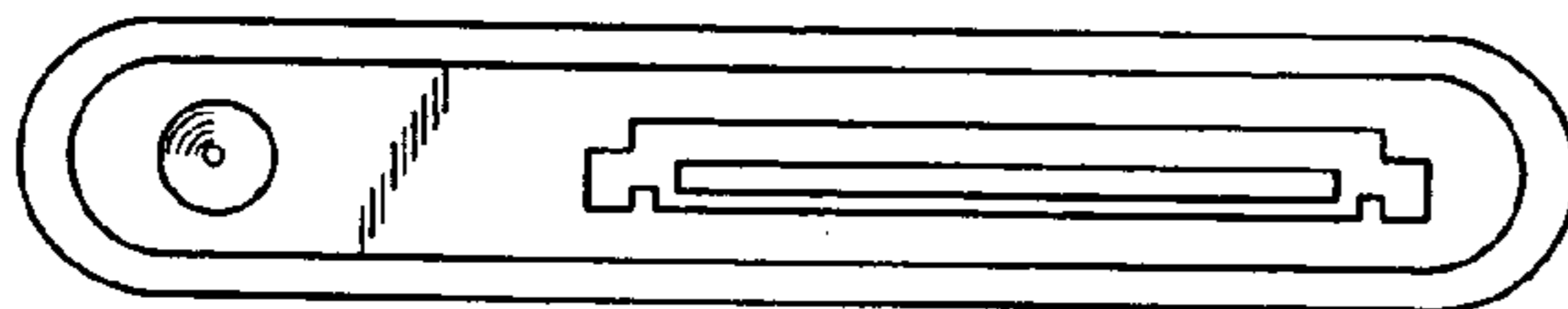


FIG. 4

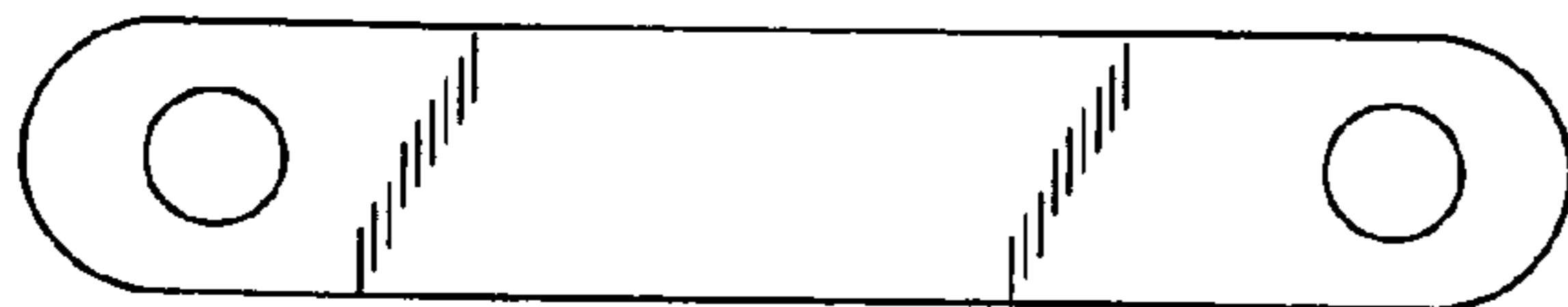


FIG. 5

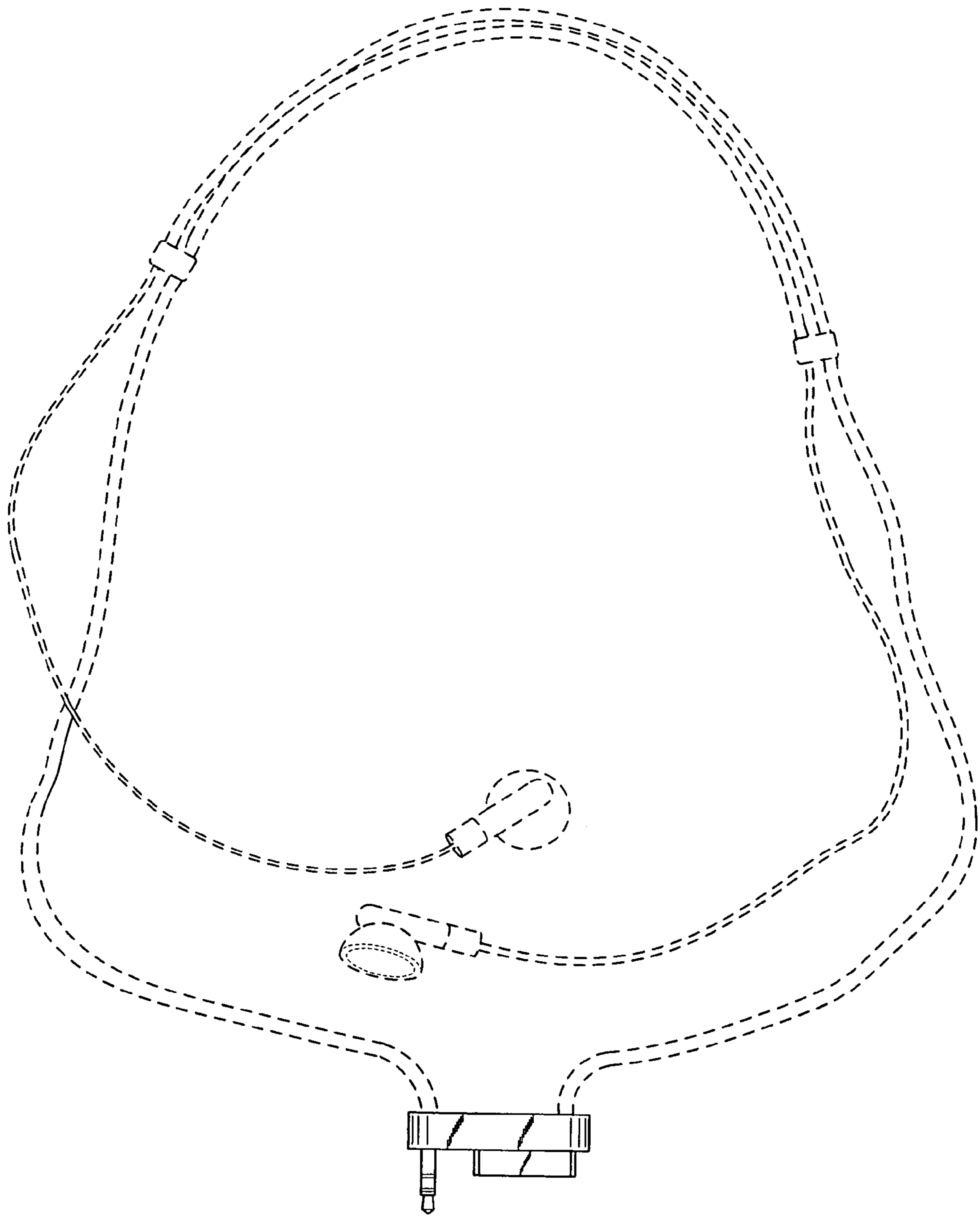


FIG. 8

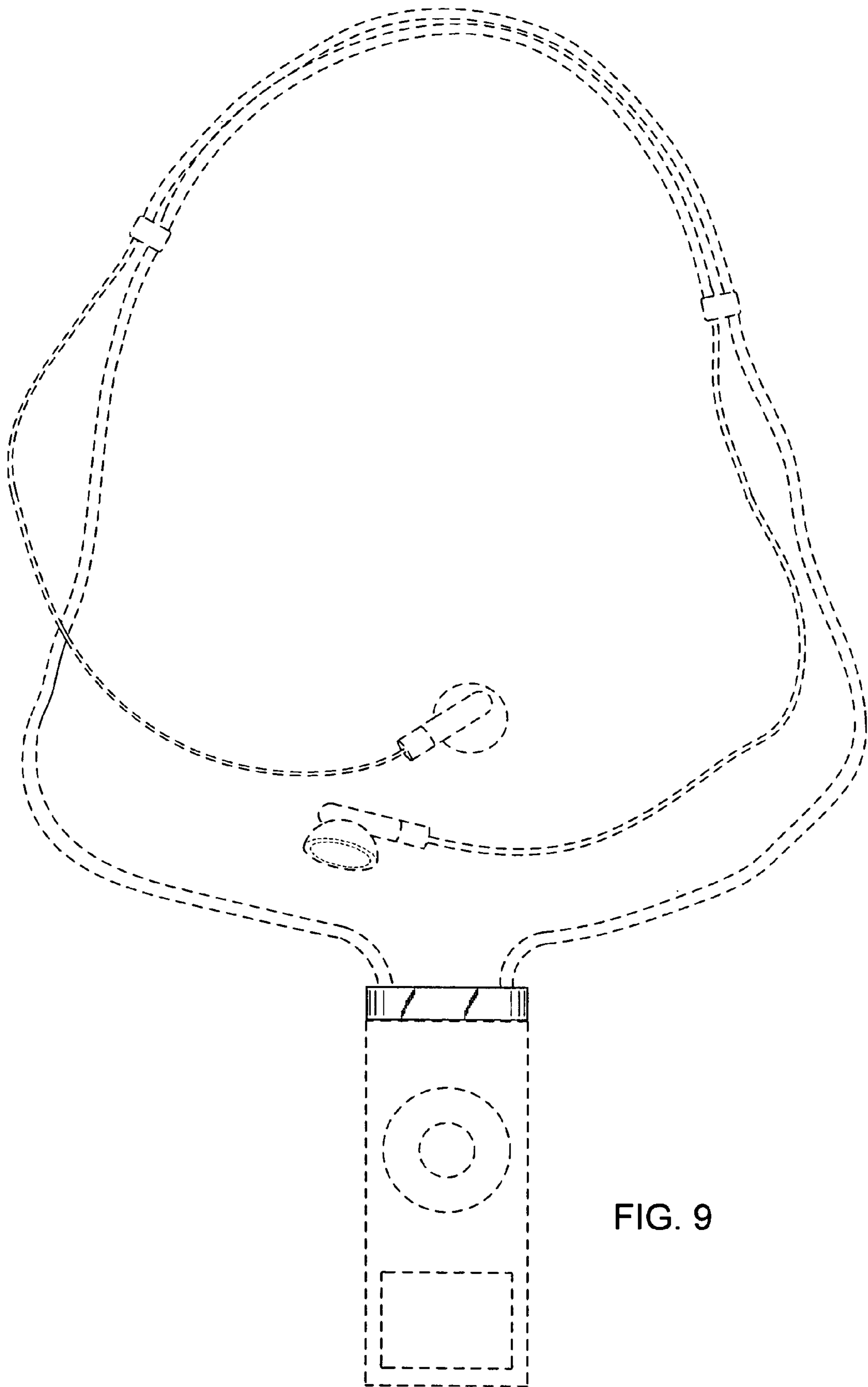


FIG. 9