



US00D560165S

(12) **United States Design Patent**
Matityahu et al.

(10) **Patent No.:** **US D560,165 S**

(45) **Date of Patent:** **** Jan. 22, 2008**

(54) **PORTABLE NETWORK TAP**

(75) Inventors: **Eldad Matityahu**, Palo Alto, CA (US);
Robert E. Shaw, Los Gatos, CA (US);
Ky Le, San Jose, CA (US)

(73) Assignee: **Net Optics, Inc.**, Sunnyvale, CA (US)

(**) Term: **14 Years**

(21) Appl. No.: **29/260,857**

(22) Filed: **Jun. 1, 2006**

(51) **LOC (8) Cl.** **13-03**

(52) **U.S. Cl.** **D13/133; D13/154; D13/147**

(58) **Field of Classification Search** D13/133,
D13/147, 154, 184, 199; D14/140, 217,
D14/240, 256, 299, 356, 432; 439/344, 535-536,
439/540.1, 638, 650, 676

See application file for complete search history.

(56) **References Cited**

U.S. PATENT DOCUMENTS

D303,246 S * 9/1989 Freeman et al. D13/147
D392,645 S * 3/1998 Wakabayashi D14/240
5,879,199 A * 3/1999 Belopolsky 439/701

D421,964 S * 3/2000 Nagasawa et al. D13/147
D432,991 S * 10/2000 Taguchi D13/147
D503,384 S * 3/2005 Weatherley D13/147
D521,504 S * 5/2006 Nagel et al. D14/240
2005/0101194 A1* 5/2005 Deng et al. 439/676

* cited by examiner

Primary Examiner—Daniel Bui

(74) *Attorney, Agent, or Firm*—IP Strategy Group, P.C.

(57) **CLAIM**

The ornamental design for a portable network tap, as shown and described.

DESCRIPTION

FIG. 1 is a top, front and right side perspective view of a portable network tap, showing our new design;

FIG. 2 is a front elevation view thereof;

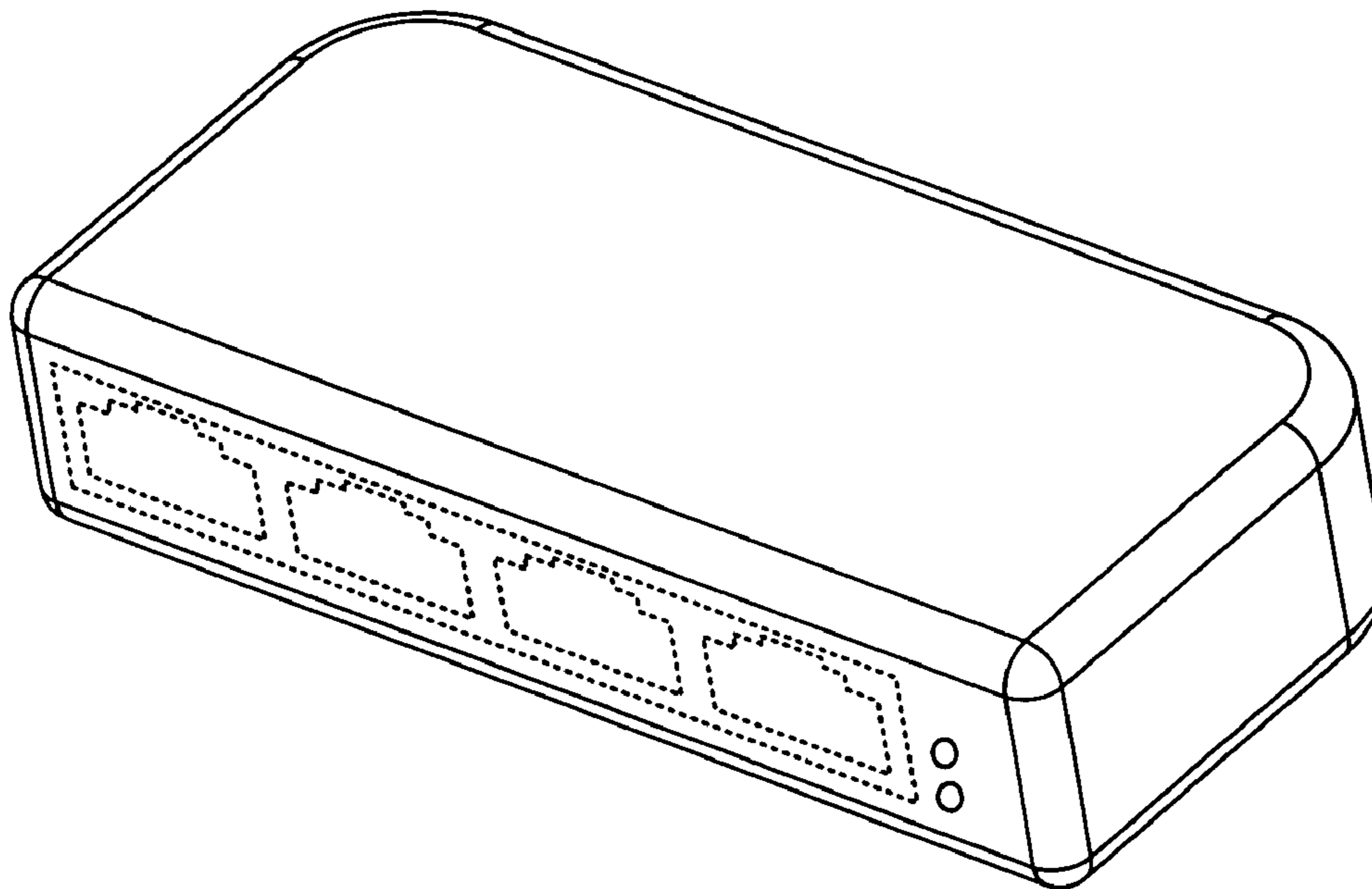
FIG. 3 is a rear elevation view thereof;

FIG. 4 is a top plan view thereof; and,

FIG. 5 is a bottom plan view thereof.

The broken line showing of the environment is for illustrative purposes only and forms no part of the claimed design.

1 Claim, 3 Drawing Sheets



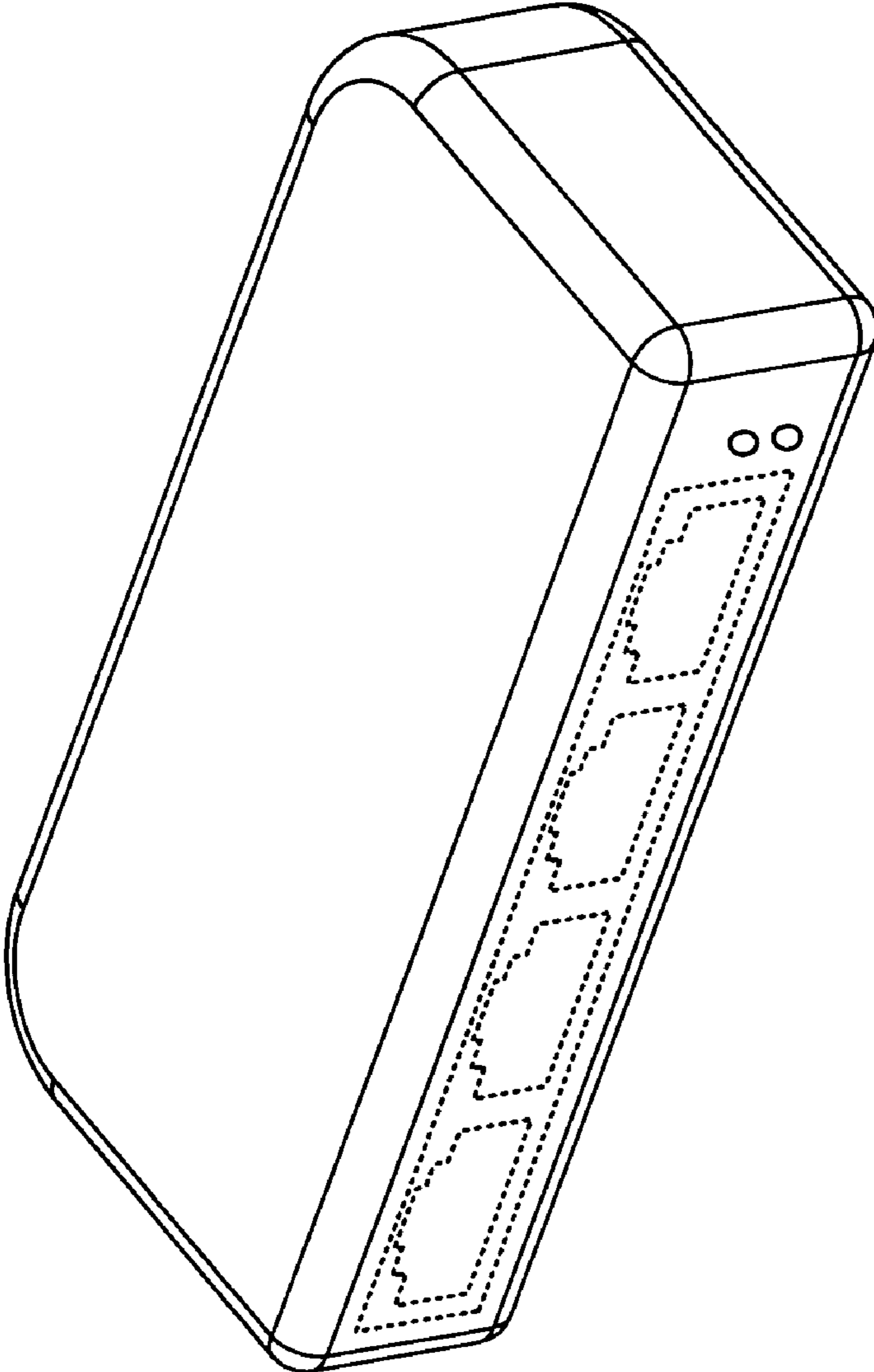


FIG. 1

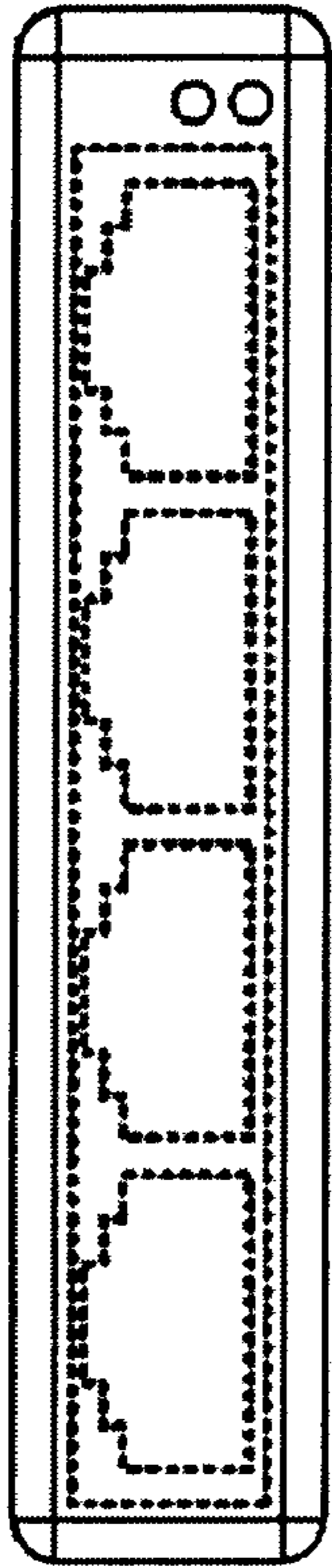


FIG. 2

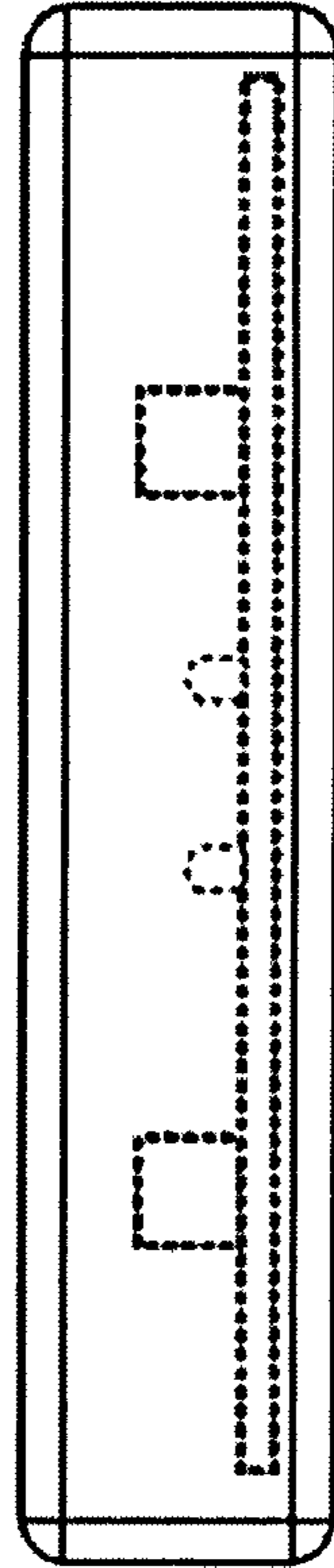


FIG. 3

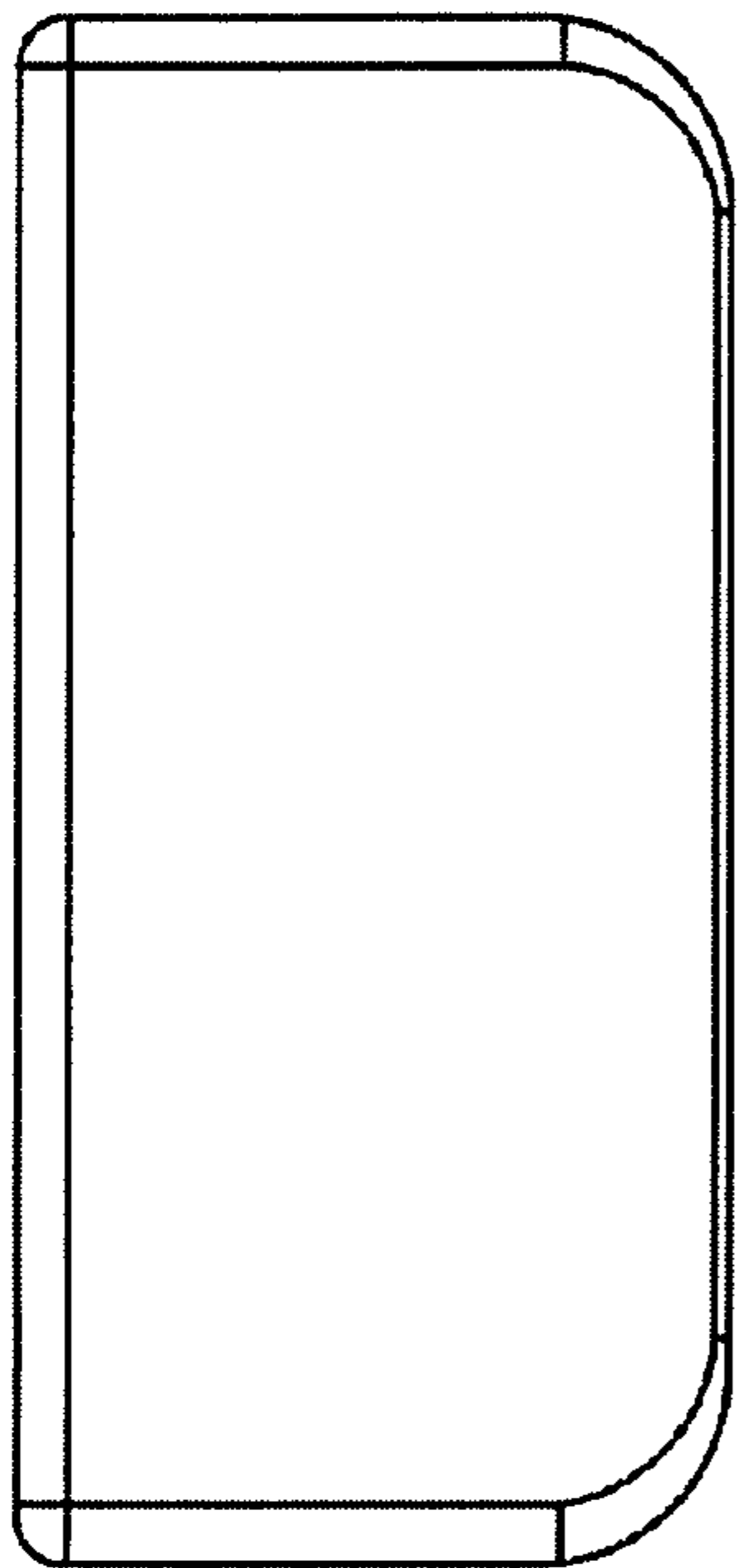


FIG. 4

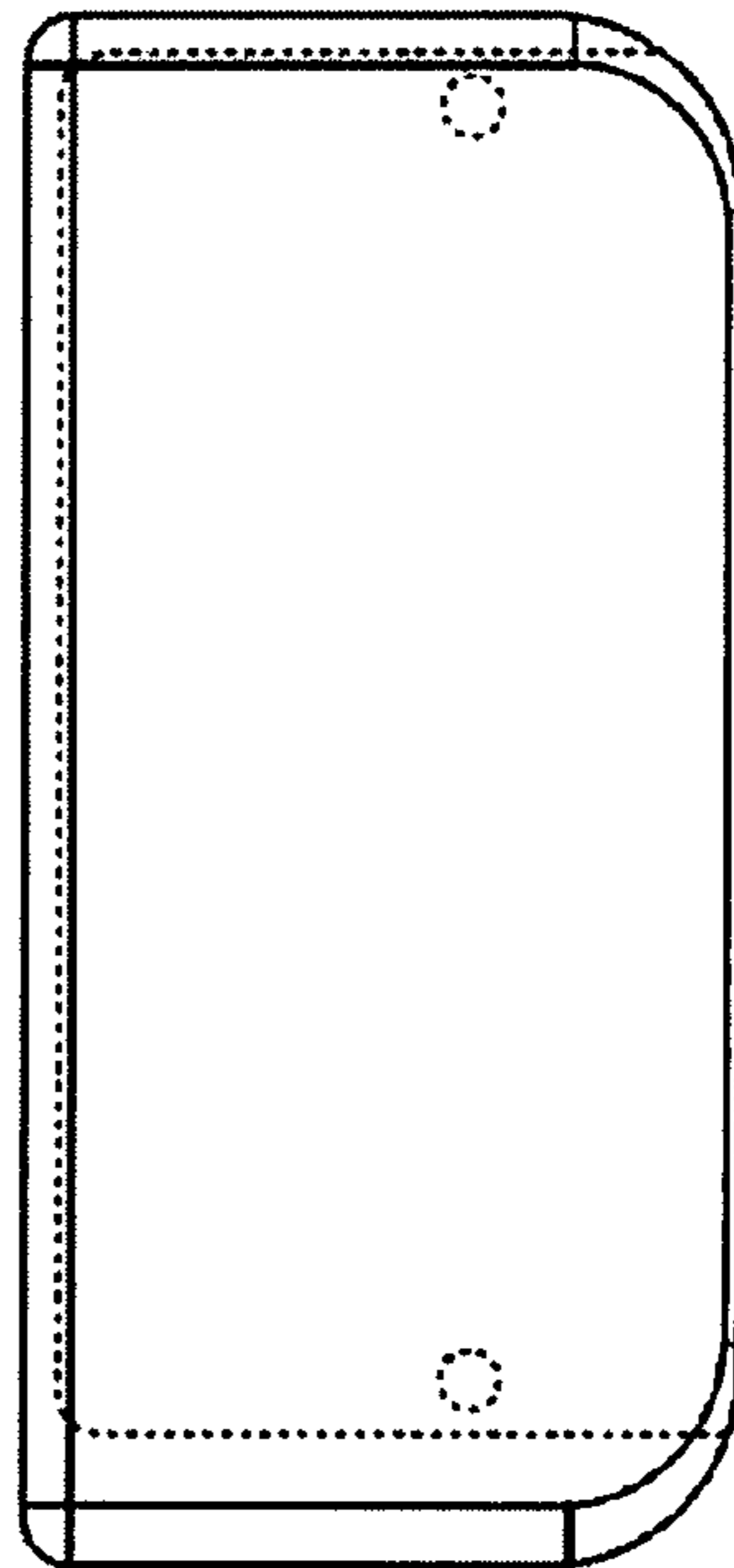


FIG. 5