



US00D560164S

(12) **United States Design Patent**
Iwakura

(10) **Patent No.:** **US D560,164 S**
(45) **Date of Patent:** **** Jan. 22, 2008**

- (54) **BOBBIN FOR A TRANSFORMER**
- (75) Inventor: **Masaaki Iwakura**, Tokyo (JP)
- (73) Assignee: **TDK Corporation**, Tokyo (JP)
- (**) Term: **14 Years**
- (21) Appl. No.: **29/245,640**
- (22) Filed: **Dec. 28, 2005**
- (30) **Foreign Application Priority Data**
Sep. 16, 2005 (JP) 2005-027014
- (51) **LOC (8) Cl.** **13-01**
- (52) **U.S. Cl.** **D13/118**
- (58) **Field of Classification Search** D13/118,
D13/101, 199; D3/24; D15/78, 138; 42/597.6,
42/597.7; 336/192, 198; D14/484
See application file for complete search history.

- (56) **References Cited**
U.S. PATENT DOCUMENTS
2,657,876 A * 11/1953 Bieber 242/597.7
3,230,490 A * 1/1966 Johnson 336/198
4,157,519 A * 6/1979 Foster 336/192
4,745,388 A * 5/1988 Billings et al. 336/192
4,890,085 A * 12/1989 Saito et al. 336/192
D313,605 S * 1/1991 Saito et al. D15/78
D334,913 S * 4/1993 Sato et al. D13/118
D358,931 S * 6/1995 Vanhuyse D3/24
D441,772 S * 5/2001 Polzer D15/138

D455,715 S * 4/2002 Sakai et al. D13/118

FOREIGN PATENT DOCUMENTS

JP	3-90411	9/1991
JP	3-53462	11/1991

* cited by examiner

Primary Examiner—Prabhakar Deshmukh
Assistant Examiner—Derrick Holland

(74) *Attorney, Agent, or Firm*—Westerman, Hattori, Daniels & Adrian, LLP.

(57) **CLAIM**

The ornamental design for, a bobbin for a transformer, as shown and described.

DESCRIPTION

FIG. 1 is a front elevation view of a bobbin for a transformer, showing our new design;

FIG. 2 is a rear elevation view thereof;

FIG. 3 is a top plan view thereof;

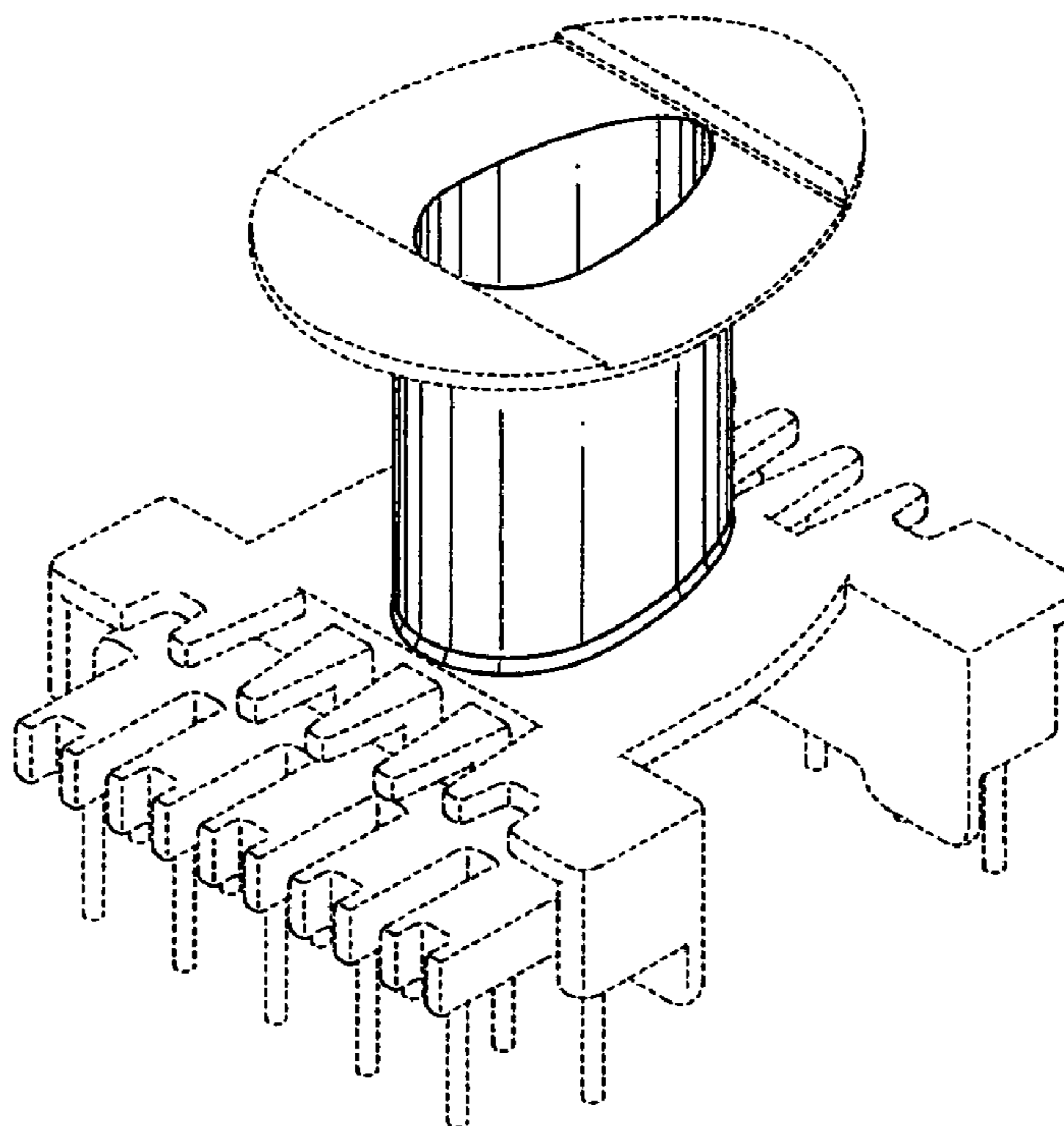
FIG. 4 is a bottom plan view thereof;

FIG. 5 is a left side elevation view thereof, the right side elevation view is a mirror image of the left side elevation view; and,

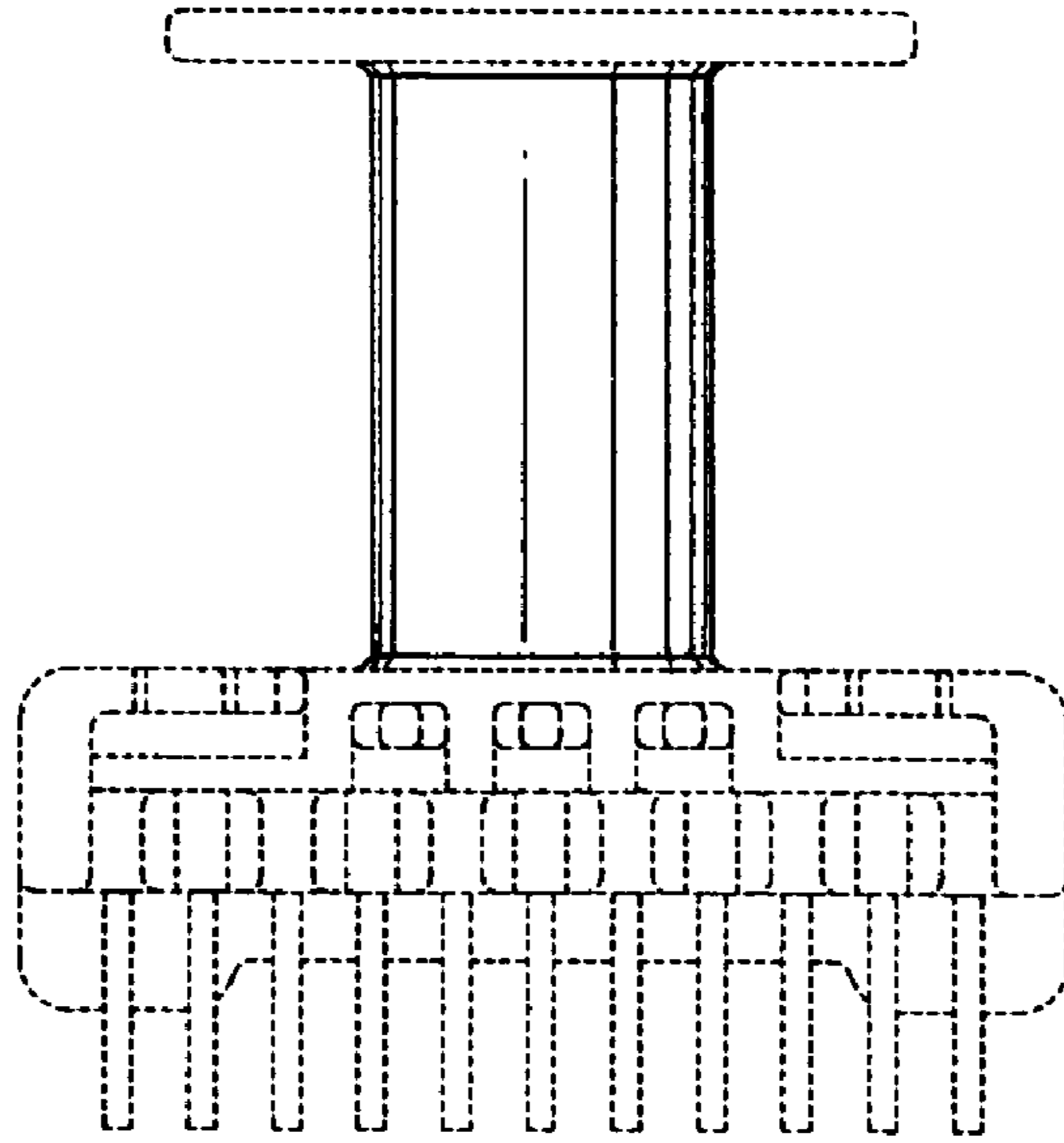
FIG. 6 is a perspective view thereof.

The broken lines are for illustrative purposes only and form no part of the claimed design.

1 Claim, 4 Drawing Sheets



F I G. 1



F I G. 2

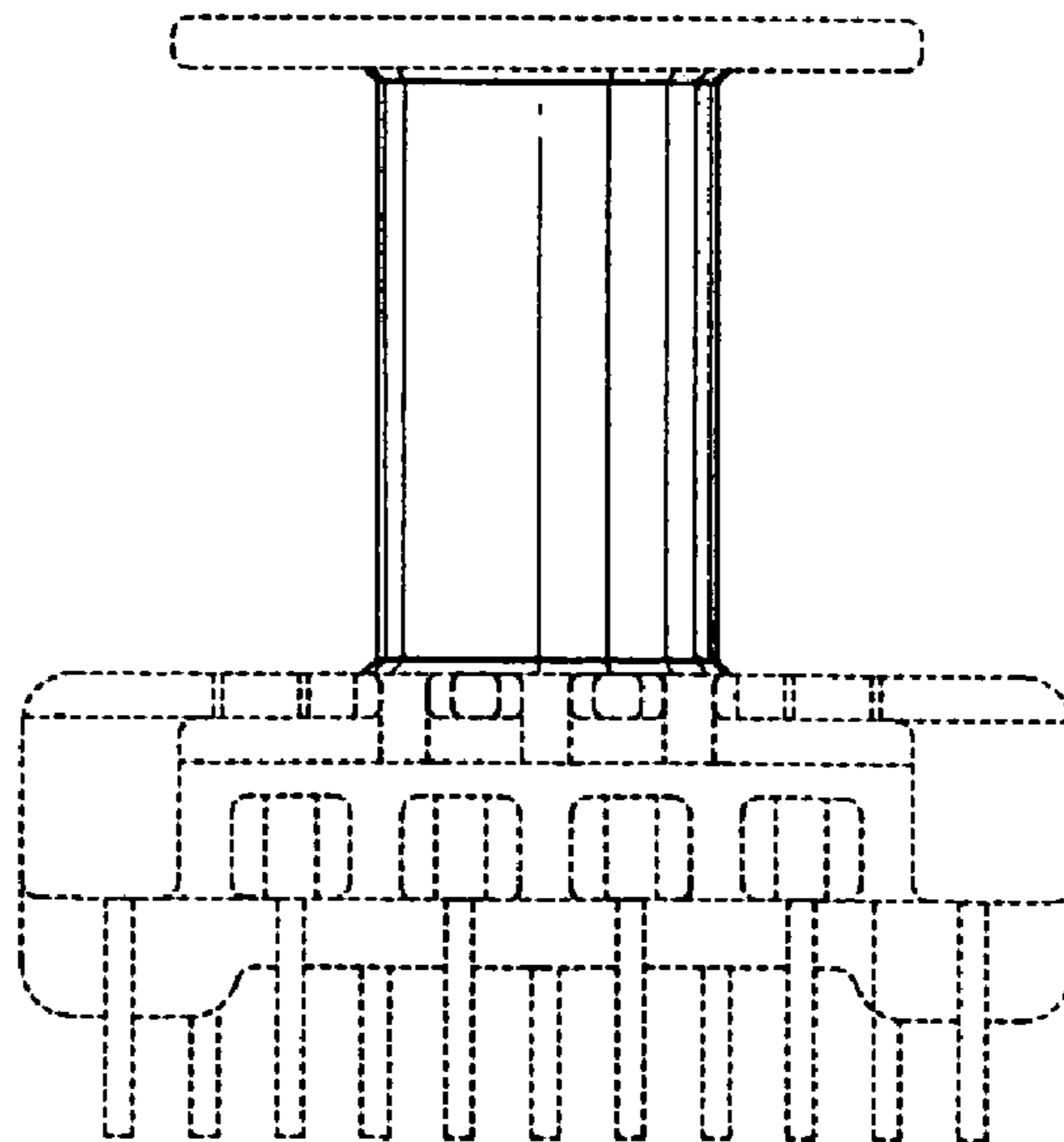


FIG. 3

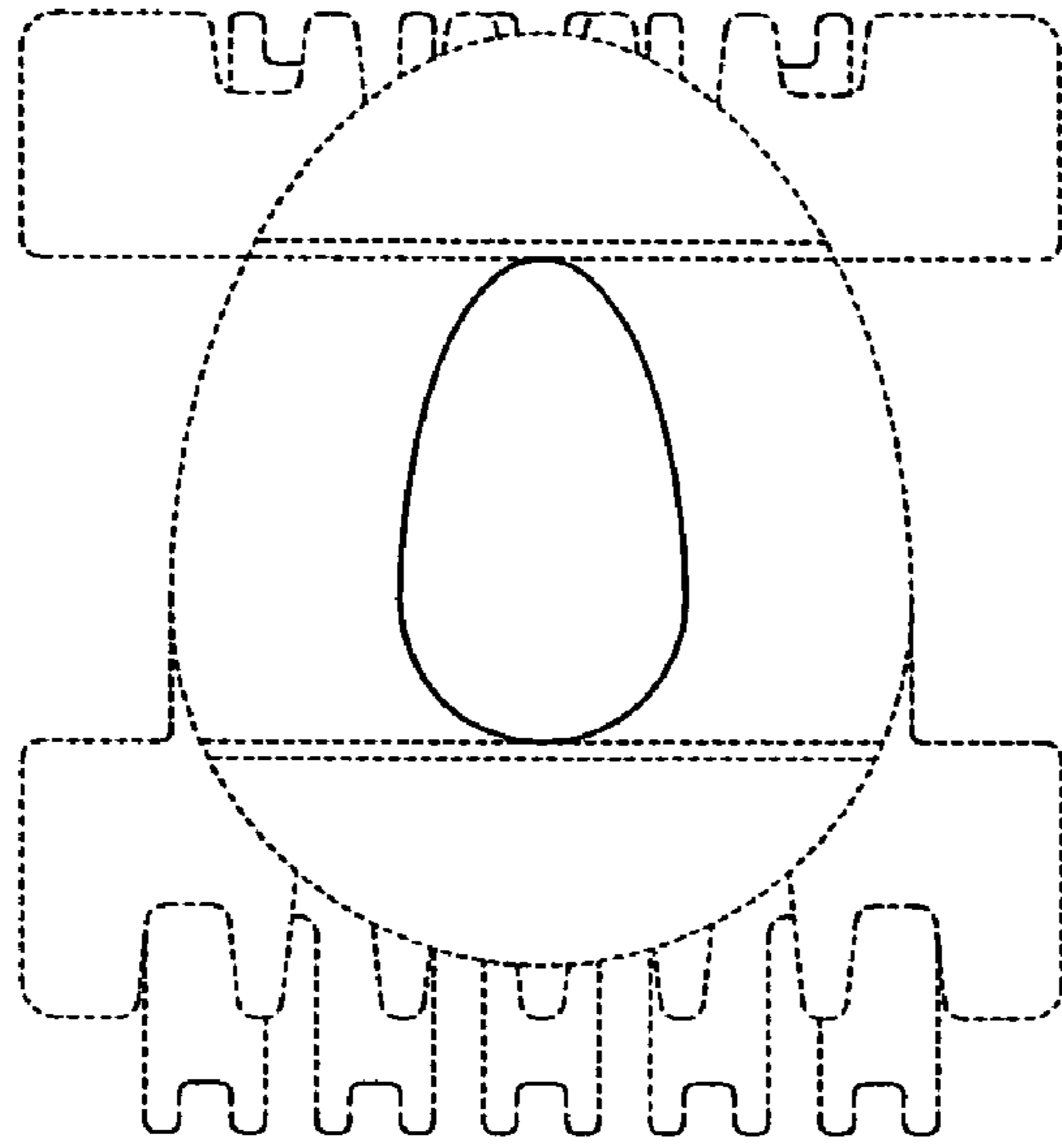


FIG. 4

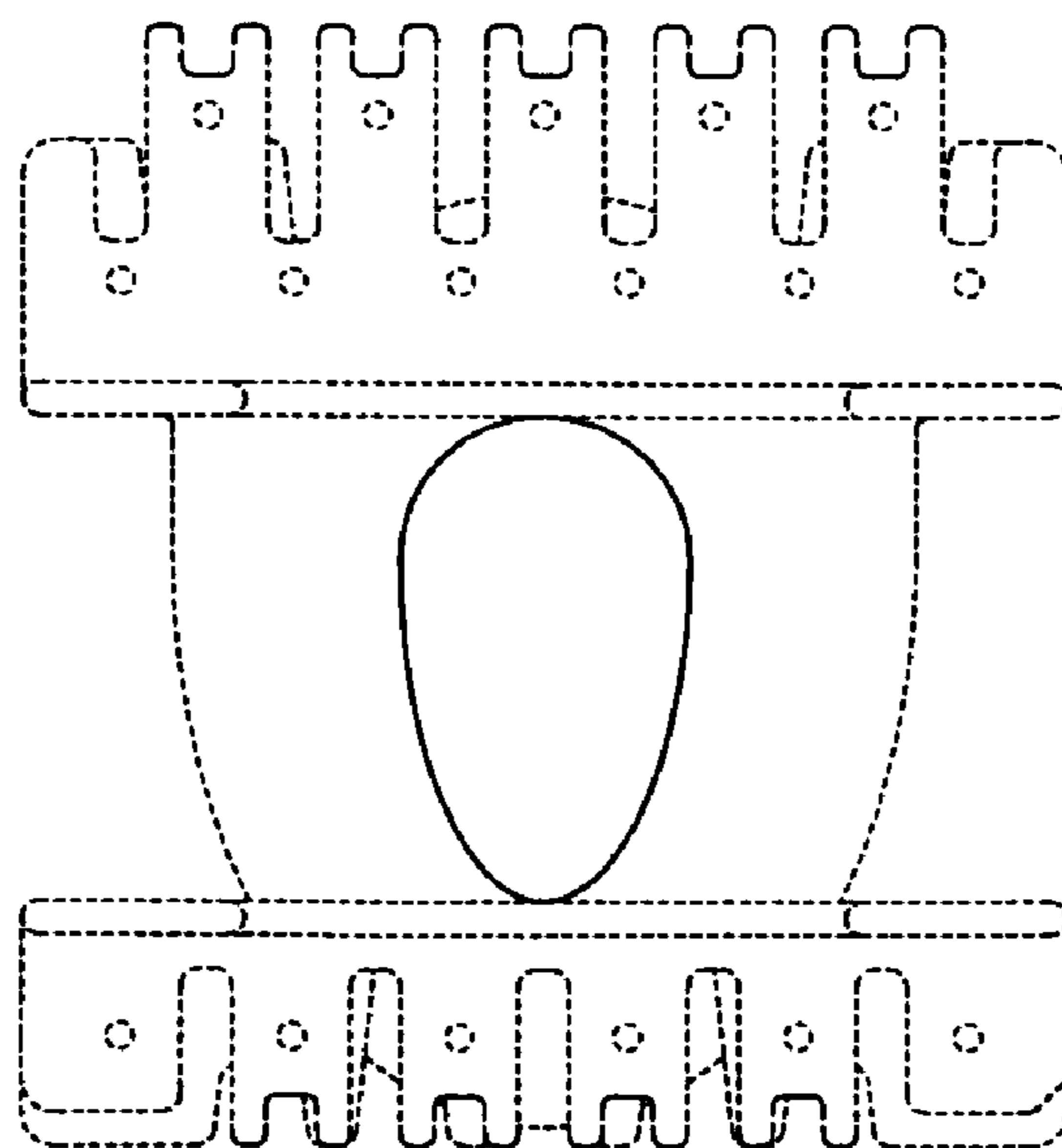


FIG. 5

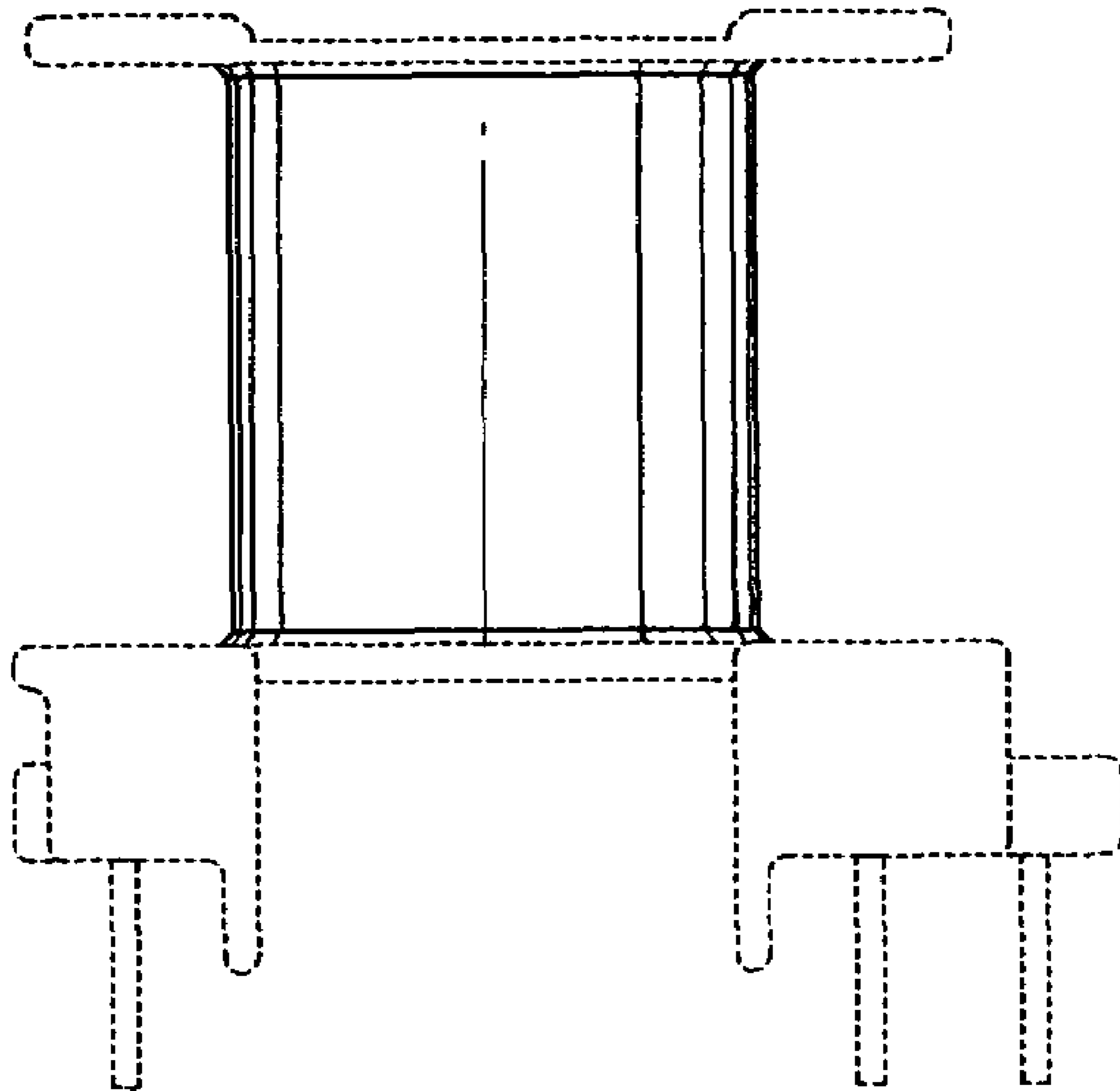


FIG. 6

