

US00D560162S

(12) **United States Design Patent**
Martinez

(10) **Patent No.:** **US D560,162 S**

(45) **Date of Patent:** **** Jan. 22, 2008**

(54) **WIND GENERATOR CHANNELED FRAME**

(75) **Inventor:** **Florencia Martinez**, Newbury Park,
CA (US)

(73) **Assignee:** **AeroVironment Inc.**, Monrovia, CA
(US)

(**) **Term:** **14 Years**

(21) **Appl. No.:** **29/266,378**

(22) **Filed:** **Sep. 19, 2006**

(51) **LOC (8) Cl.** **13-01**

(52) **U.S. Cl.** **D13/115**

(58) **Field of Classification Search** D13/115,
D13/101, 199; D15/1, 199; D23/381, 411,
D23/413; 52/40, 745.09, 745.18; 416/17,
416/23, 24, 31, 37, 38, 132 R, 142; 290/44,
290/55

See application file for complete search history.

(56) **References Cited**

U.S. PATENT DOCUMENTS

4,084,921 A * 4/1978 Norz 416/17
D252,572 S * 8/1979 Hanson D15/1
4,180,372 A * 12/1979 Lippert, Jr. 416/23

4,247,253 A * 1/1981 Seki et al. 416/44
4,297,076 A * 10/1981 Donham et al. 416/37
5,295,793 A * 3/1994 Belden 416/13
5,320,491 A * 6/1994 Coleman et al. 416/24
D480,360 S * 10/2003 Bayly D13/115

* cited by examiner

Primary Examiner—Prabhakar Deshmukh

Assistant Examiner—Derrick Holland

(74) *Attorney, Agent, or Firm*—William W. Haefliger

(57) **CLAIM**

The ornamental design for a wind generator channeled frame, substantially as shown and described.

DESCRIPTION

FIG. 1 is a front elevation view of a wind generator channeled frame showing my new design;

FIG. 2 is a top plan view thereof;

FIG. 3 is a left side view thereof, the right side being a mirror image;

FIG. 4 is a rear elevation view thereof; and,

FIG. 5 is a perspective view thereof.

1 Claim, 2 Drawing Sheets

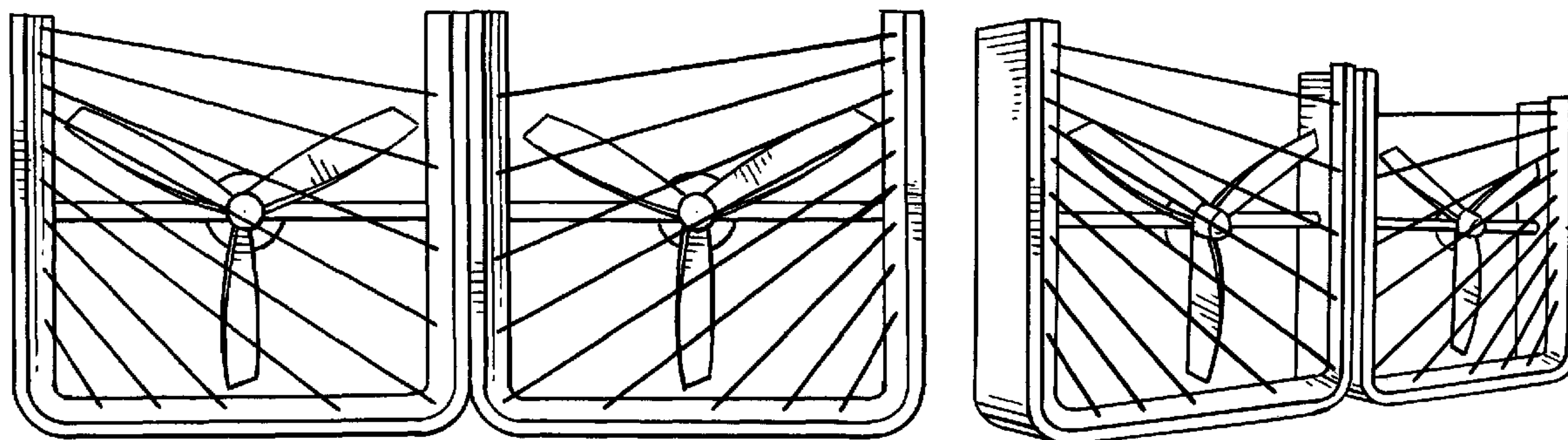


FIG. 1.

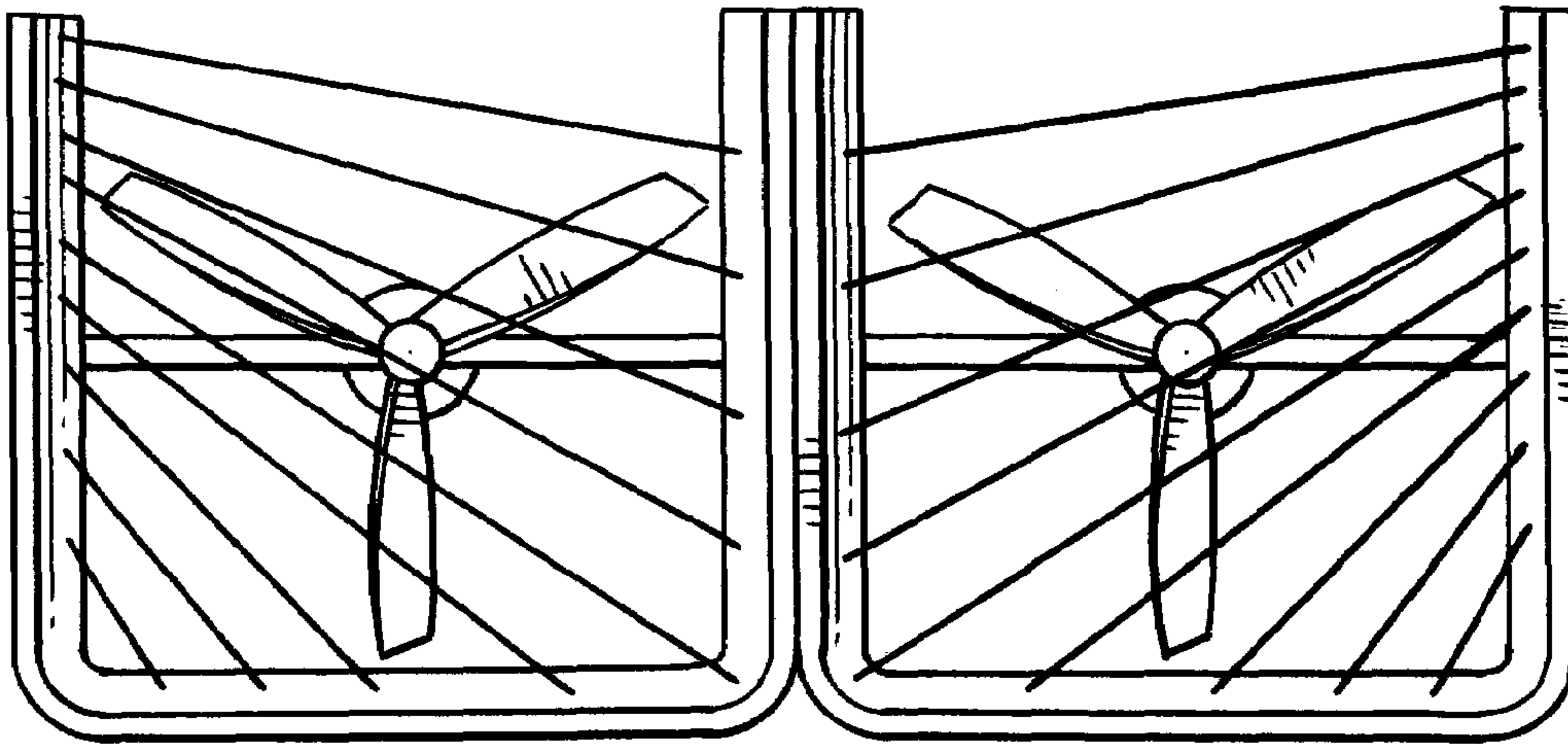


FIG. 2.

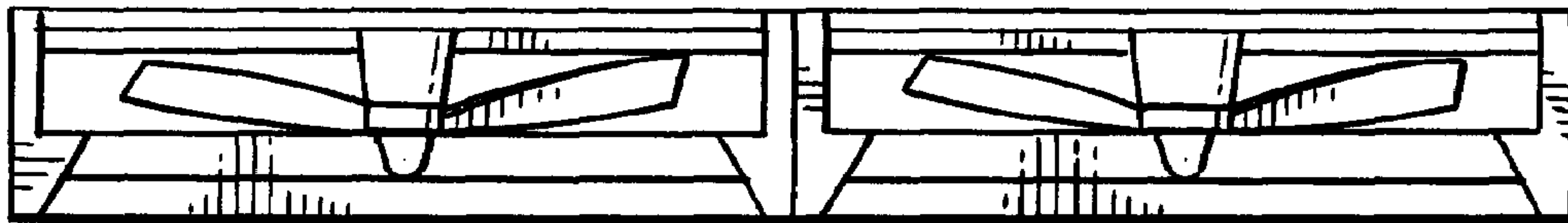


FIG. 3.

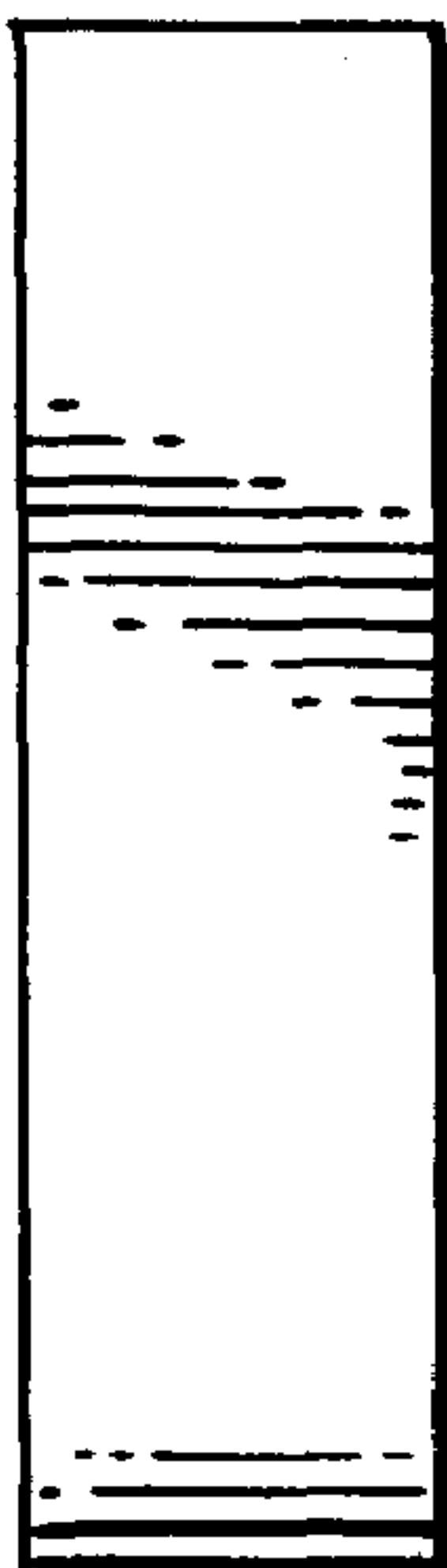


FIG. 4.

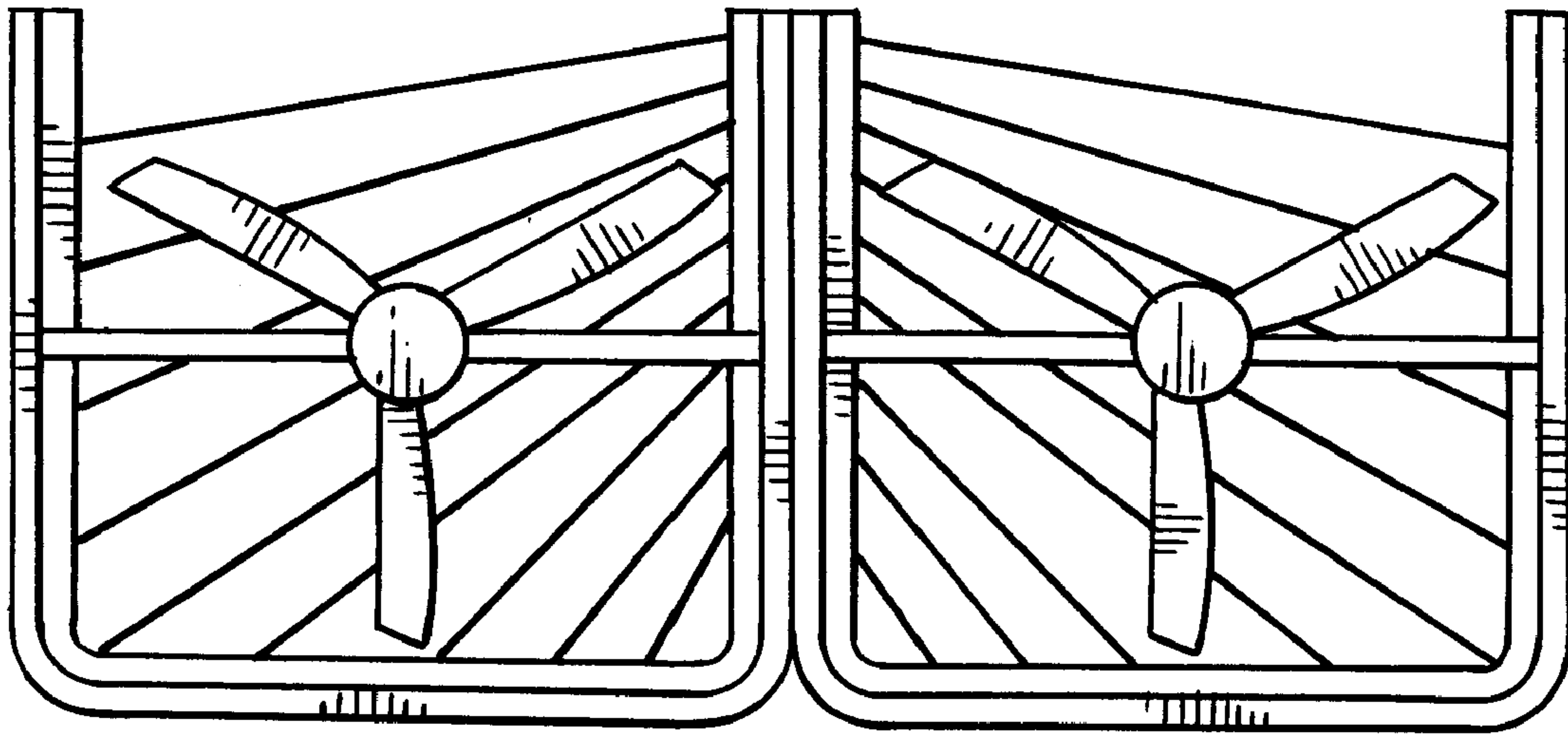


FIG. 5.

