



US00D560155S

(12) **United States Design Patent** (10) **Patent No.:** **US D560,155 S**
Godshaw et al. (45) **Date of Patent:** **** Jan. 22, 2008**

(54) **ALL TERRAIN VEHICLE CARGO BAG ASSEMBLY**

(75) Inventors: **Donald E. Godshaw**, Evanston, IL (US); **Andrezj M. Redzisz**, Wheeling, IL (US)

(73) Assignee: **Travel Caddy, Inc.**, Elk Grove Village, IL (US)

(**) Term: **14 Years**

(21) Appl. No.: **29/258,065**

(22) Filed: **Apr. 14, 2006**

(51) **LOC (8) Cl.** **12-11**

(52) **U.S. Cl.** **D12/409**

(58) **Field of Classification Search** D12/110, D12/114, 407, 409, 412, 87, 107, 413; 224/400, 224/401, 412-439, 441-443, 447-449, 457, 224/42.11, 450, 42.15-42.19, 42.21, 548, 224/901.2-901.4; 296/37.1; 190/124-126, 190/116-123; 180/223, 229, 233, 311, 315
See application file for complete search history.

(56) **References Cited**

U.S. PATENT DOCUMENTS

- 4,442,960 A * 4/1984 Vetter 224/417
- 2002/0108981 A1 * 8/2002 Smith 224/427
- 2003/0183668 A1 * 10/2003 Hancock et al. 224/401
- 2005/0161483 A1 * 7/2005 Krohn et al. 224/413

OTHER PUBLICATIONS

- Web Page from WWW.TOURMASTER.COM; Aug. 30, 2006, pp. 1 through 3, Cortech:: Luggage:: ATV Bags:: ATV Rear Rack Bag.
- Web Page from WWW.TAMARACKATV.COM ; Aug. 30, 2006, pp. 1 through 5 Tamarack Soft Select Series ATV Bags.
- Web Page from WWW.TAMARACKATV.COM ; Aug. 30, 2006, pp. 1 through 2 Tamarack Classic Wrap Around Quad Trunk ATV Box.
- Web Page from WWW.TAMARACKATV.COM ; Aug. 30, 2006, pp. 1 through 2 Tamarack Titan Series Lounger ATV Bag.
- Web Page from WWW.TAMARACKATV.COM ; Aug. 30, 2006, pp. 1 through 2 Tamarack Titan Series Cargo-Rest Trunk ATV Box.

- Web Page from WWW.TAMARACKATV.COM ; Aug. 30, 2006, pp. 1 through 2 Tamarack Titan Series ATV Cargo Bag.
- Web Page from WWW.DUNHAMSSPORTS.COM ; Aug. 30, 2006, pp. 1 through 2 Wilderness Trail ATV Cargo Bag.
- Web Page from WWW.RUGGEDSPORTSMAN.COM ; Aug. 30, 2006, p. 1 of 1, Allen cases ATV Cargo Seat Pad Break Up.
- Web Page from WWW.ALLENCOMPANY.NET; Aug. 30, 2006, p. 1 of 1, 11373, Outfitter Grade Break Up ATV Rear Rack Bag, PK 2.

(Continued)

Primary Examiner—Cathron Brooks

Assistant Examiner—Linda Brooks

(74) *Attorney, Agent, or Firm*—Banner & Witcoff, Ltd.

(57) **CLAIM**

The ornamental design for an all terrain vehicle cargo bag assembly, substantially as shown and described.

DESCRIPTION

FIG. 1 is an isometric view of the all terrain vehicle cargo bag assembly of the invention in a fully assembled condition;

FIG. 2 is a view similar to FIG. 1, but with the flap of the center cargo bag of the all terrain vehicle cargo bag assembly in open condition;

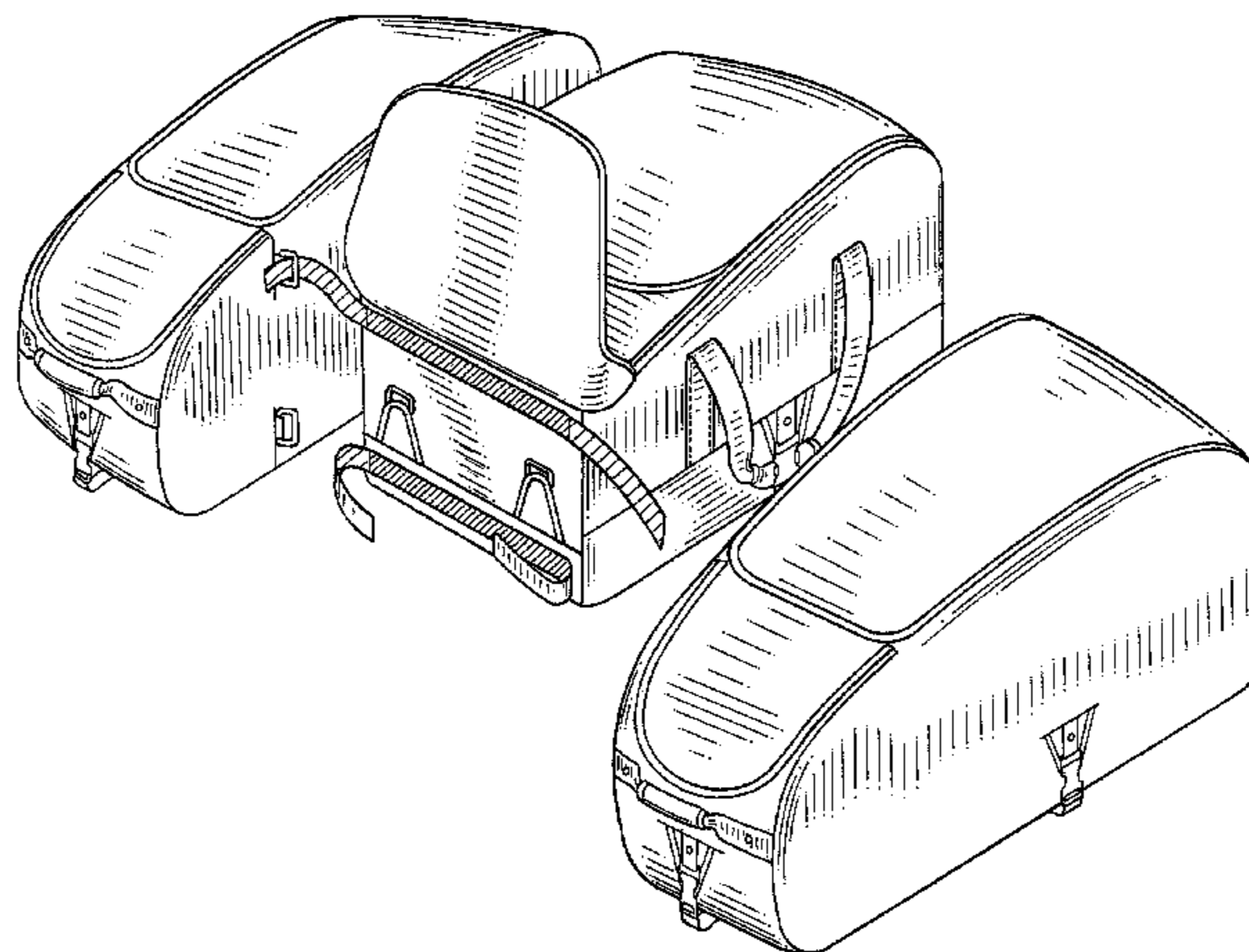
FIG. 3 is an exploded, isometric view similar to FIG. 2, but illustrating the separate container sections of the design in disassembled, detached condition;

FIG. 4 illustrates an exploded, isometric view similar to FIG. 3, but illustrating the separate container sections of the design in a further disassembled, detached condition;

FIG. 5 is an isometric view of the all terrain vehicle cargo bag assembly shown in FIG. 1 as viewed from the back side and the underside thereof; and,

FIG. 6 is an exploded, isometric view illustrating the three separate container sections of the design in disassembled, detached condition as viewed from the back side and underside thereof.

1 Claim, 6 Drawing Sheets



OTHER PUBLICATIONS

Web Page from WWW.STEARNSINC.COM ; Aug. 30, 2006, p. 1 of 1, A203—Pro ATV Deluxe Bag.

Web Page from WWW.STEARNSINC.COM; Aug. 30, 2006, p. 1 of 1, A205—Pro ATV Oversized Deluxe Bag.

Web Page from WWW.STEARNSINC.COM ; Aug. 30, 2006, p. 1 of 1, A206—Pro ATV Padded Bottom Bag.

Web Page from WWW.MISSGRIZZ.COM ; Aug. 30, 2006, pp. 1 through 2, Black and Camouflage Camo ATV Cargo Storage Bags by Driver Design.

Web Page from WWW.FOGDOG.COM ; Aug. 30, 2006, p. 1 of 2, Classic Accessories Quad Gear ATV Rear Rack Bag w/ Cooler.

Web Page from WWW.SPORTSAUTHORITY.COM ; Aug. 30, 2006, pp. 1 through 3, Kwik Tek Deluxe ATV Rack pack.

Web Page from WWW.NORTHERNTOOL.COM ; Aug. 30, 2006, p. 1 of 1, Innovative Products Pro ATV Oversize Deluxe Cargo Bag.

Web Page from WWW.QUADBOSS.COM; Aug. 30, 2006, p. 1 of 1, Hard Luggage, Rear Wrap Trunk.

Web Page from WWW.QUADBOSS.COM; Aug 30, 2006, p. 1 of 1, All In One Storage Bag.

Web page from WWW.QUADBOSS.COM; Aug. 30, 2006, p. 1 of 1, High Capacity Rack Packs.

KOLPIN All Terrain Innovation Catalogue entitled “ATV Accessories 2005”.

KOLPIN Outdoor Innovation Catalogue entitled “ATV Accessories Catalogue 2004”.

* cited by examiner

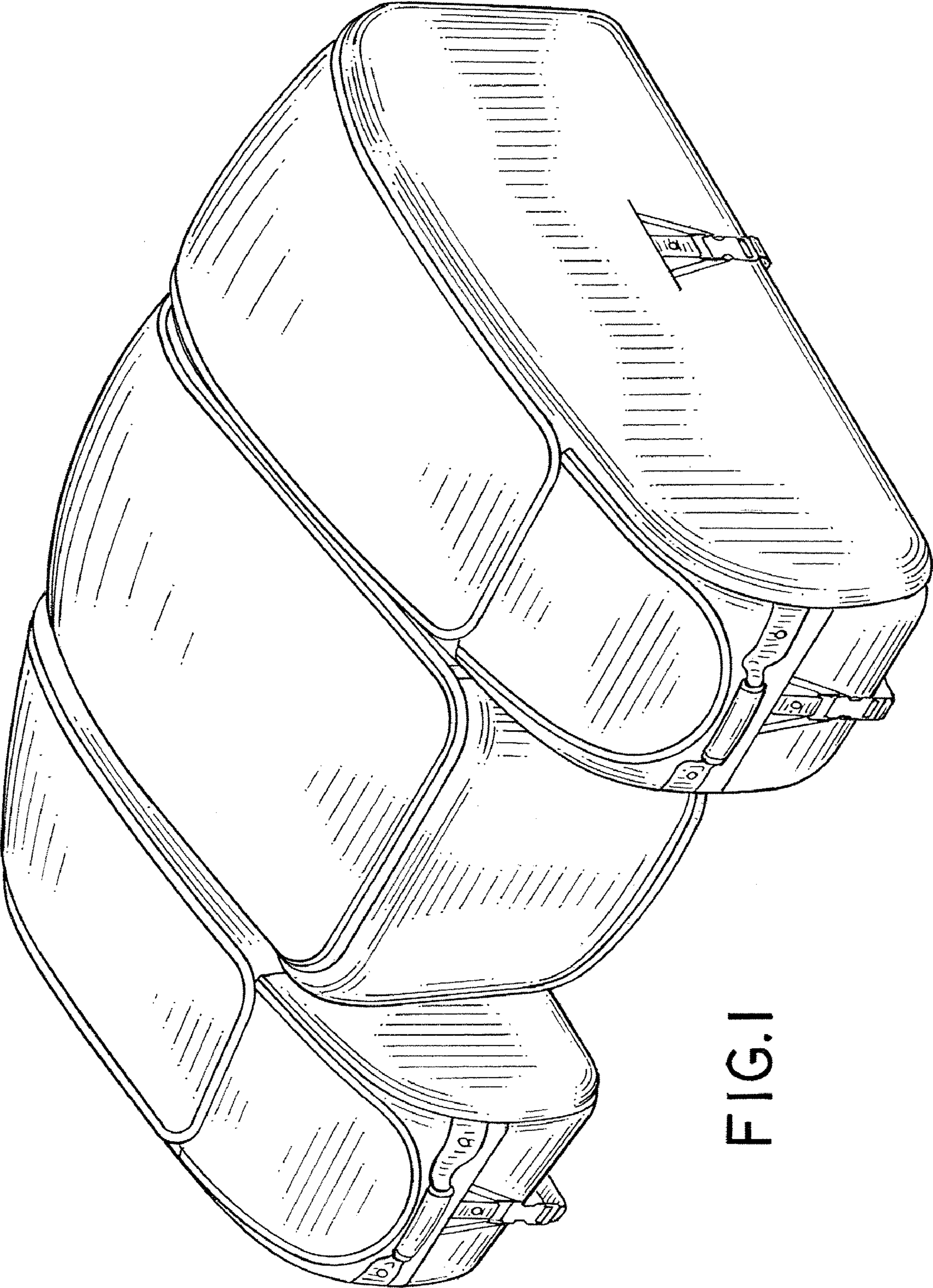
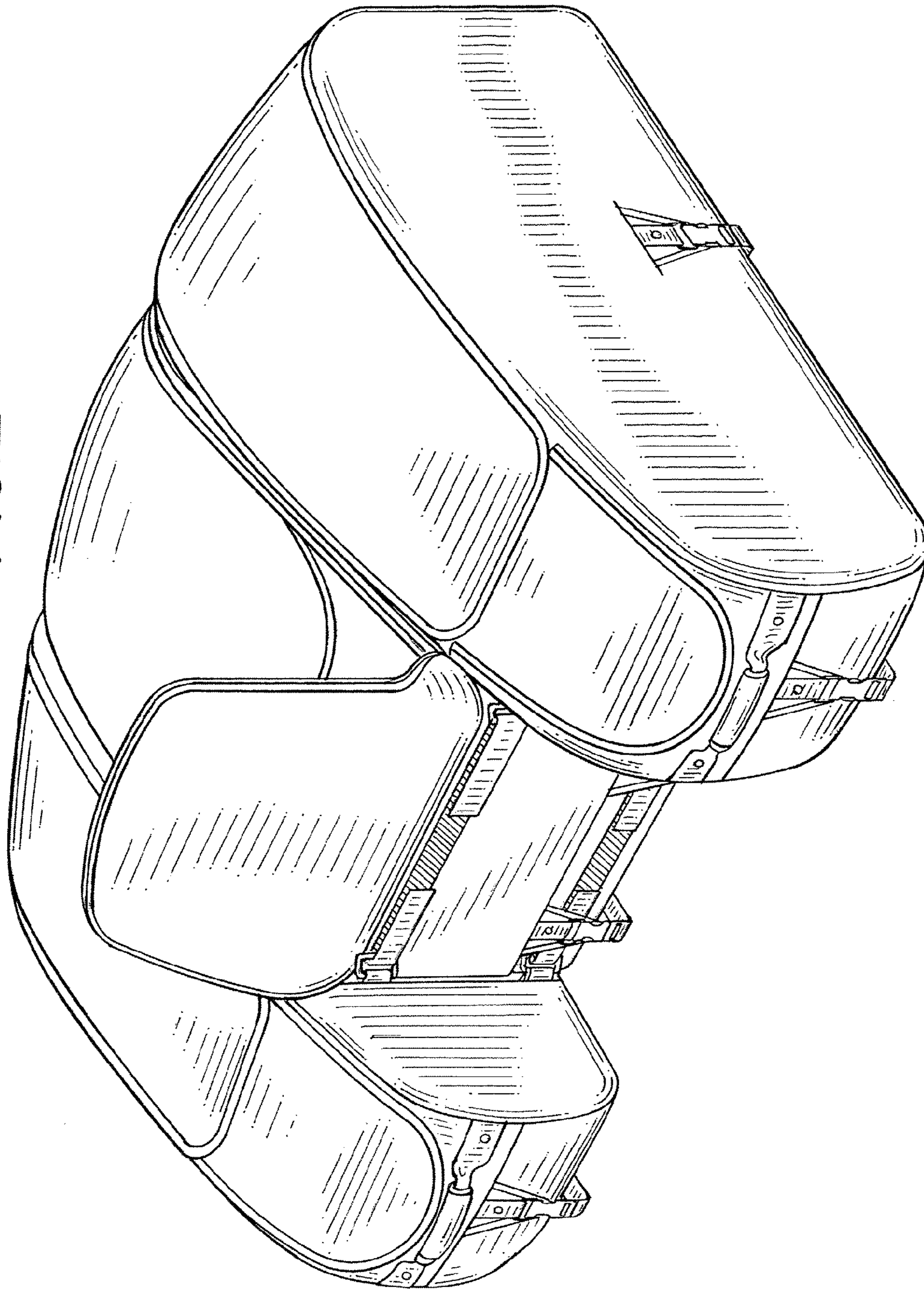


FIG.1

FIG. 2



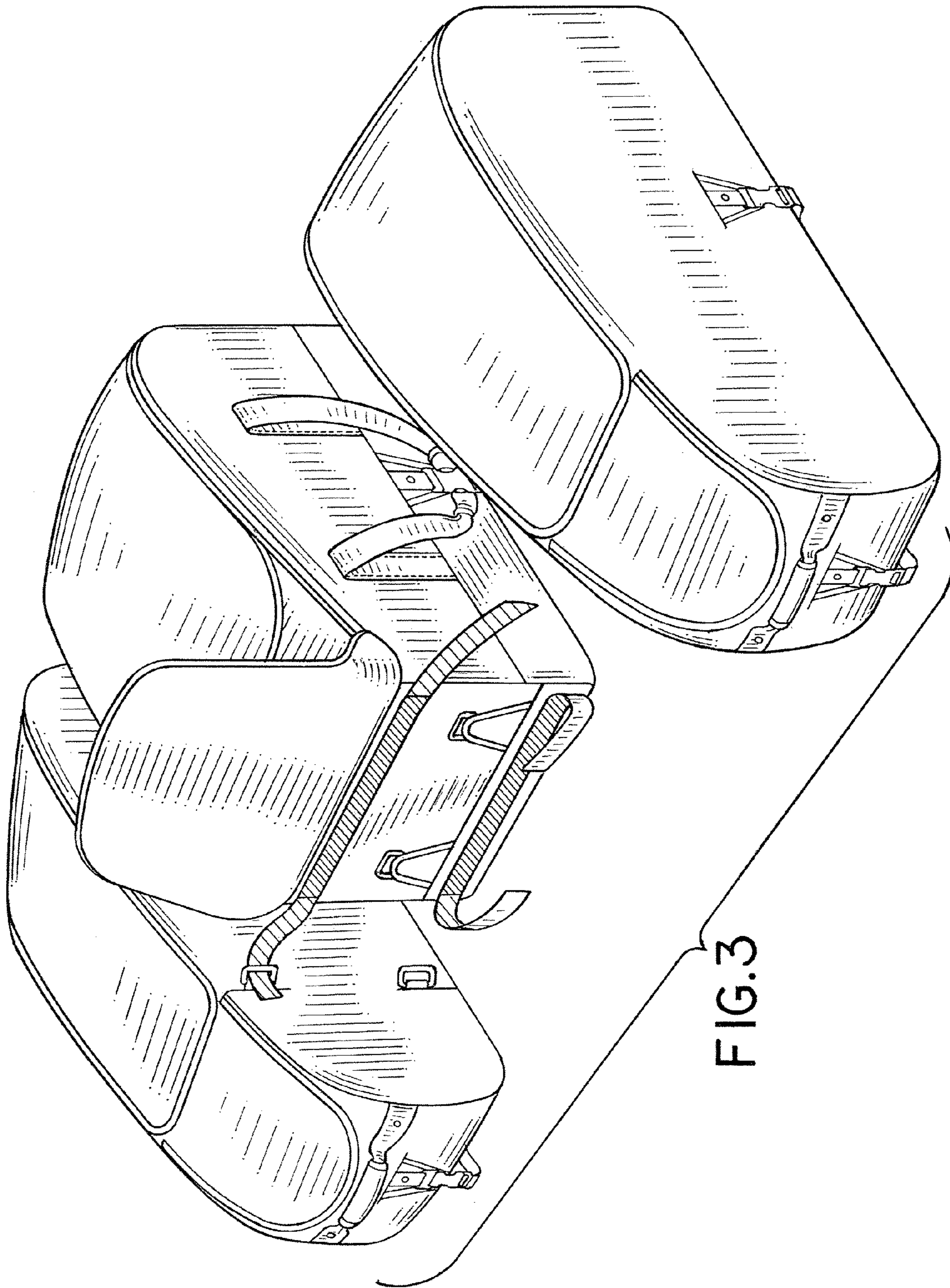


FIG.3

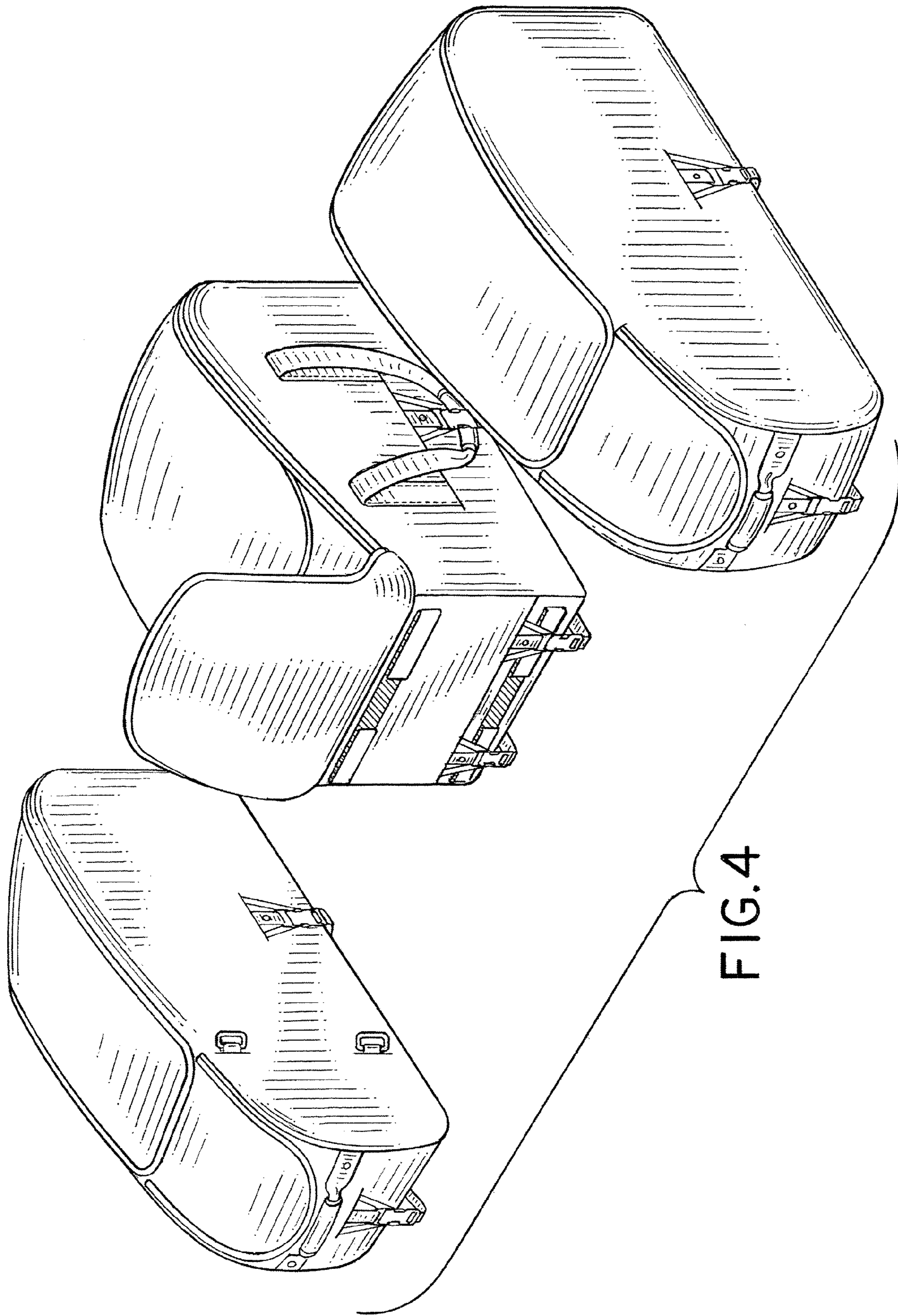


FIG. 4

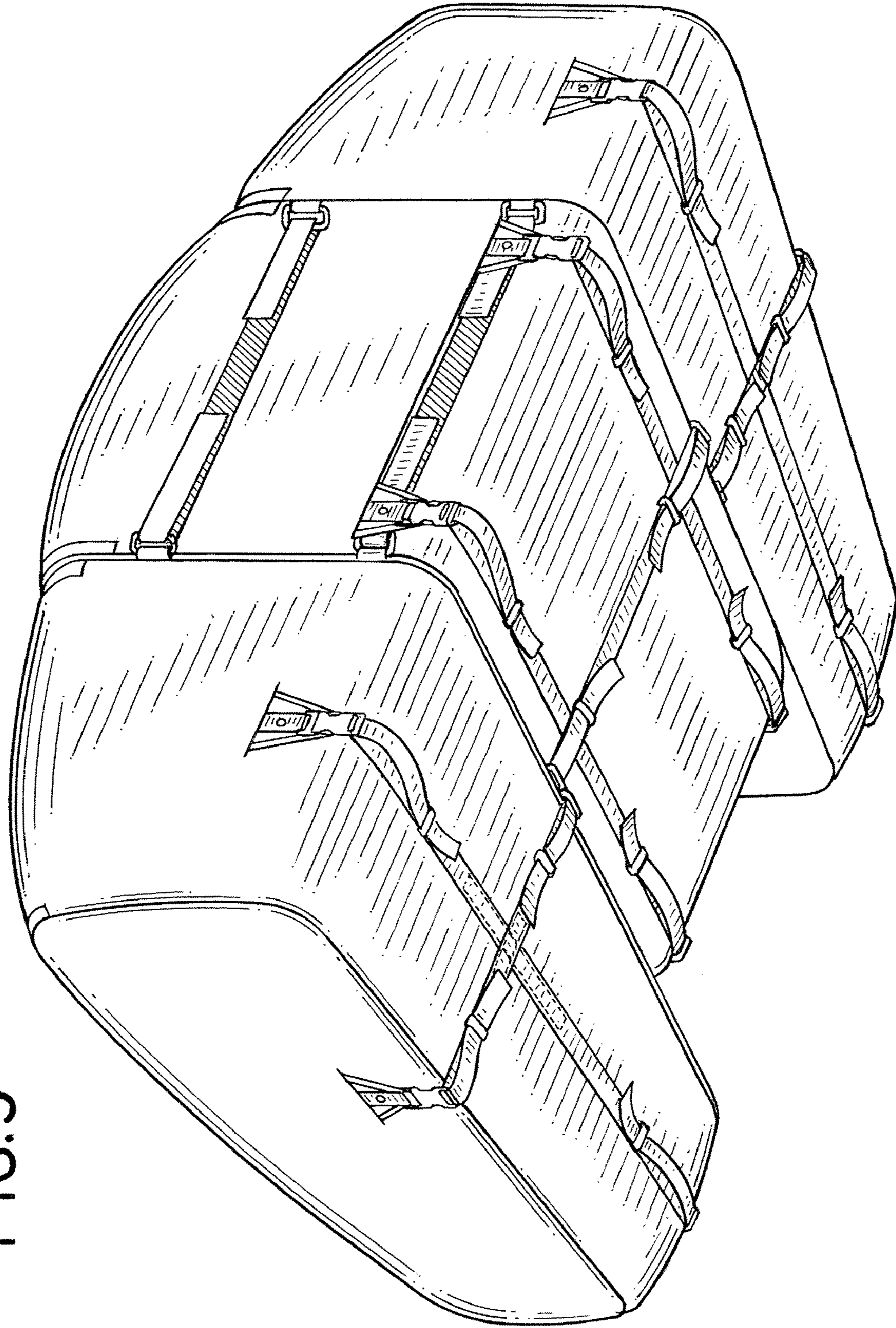


FIG. 5

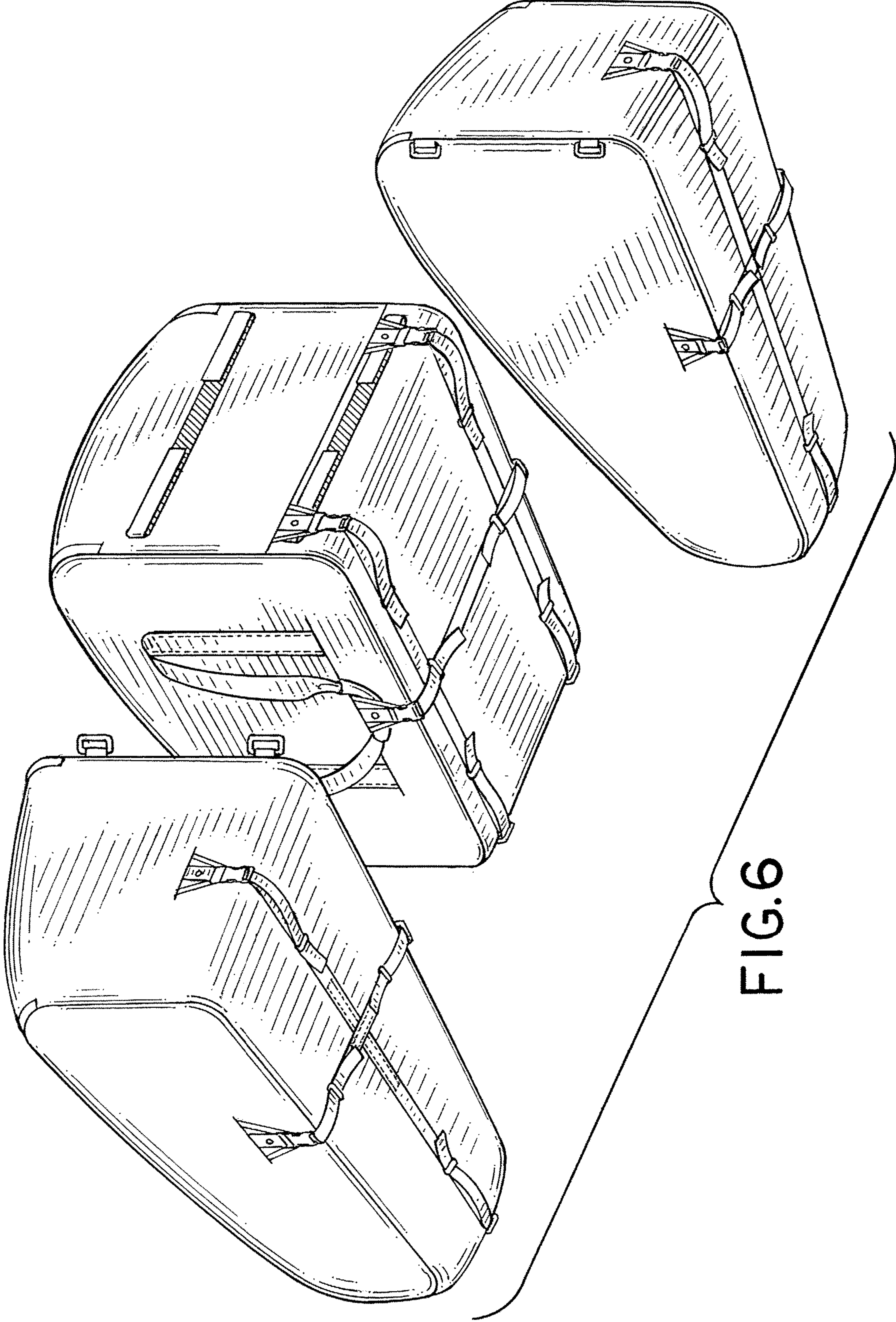


FIG. 6