

US00D560154S

(12) **United States Design Patent**  
**Aplin, Jr.**

(10) **Patent No.:** **US D560,154 S**  
(45) **Date of Patent:** **\*\* Jan. 22, 2008**

(54) **BOAT PROPELLER**

7,025,642 B1 4/2006 Baylor

(76) Inventor: **Daniel R. Aplin, Jr.**, 12342 FM 2918 Rd., Brazoria, TX (US) 77422

\* cited by examiner

(\*\*) Term: **14 Years**

*Primary Examiner*—Lisa Lichtenstein  
(74) *Attorney, Agent, or Firm*—Dale J. Ream

(21) Appl. No.: **29/275,168**

(57) **CLAIM**

(22) Filed: **Dec. 15, 2006**

The ornamental design for a boat propeller, as shown and described.

(51) **LOC (8) Cl.** ..... **12-16**

(52) **U.S. Cl.** ..... **D12/214**

(58) **Field of Classification Search** ..... D12/214,  
D12/317, 379; 416/228, 223 R, 204 R, 235;  
415/203; 440/78, 89; 114/274

See application file for complete search history.

**DESCRIPTION**

FIG. 1 is a perspective view of a boat propeller showing my new design;

FIG. 2 is a front view thereof;

FIG. 3 is a back view thereof;

FIG. 4 is a right side view thereof;

FIG. 5 is a left side view thereof;

FIG. 6 is a top view thereof; and,

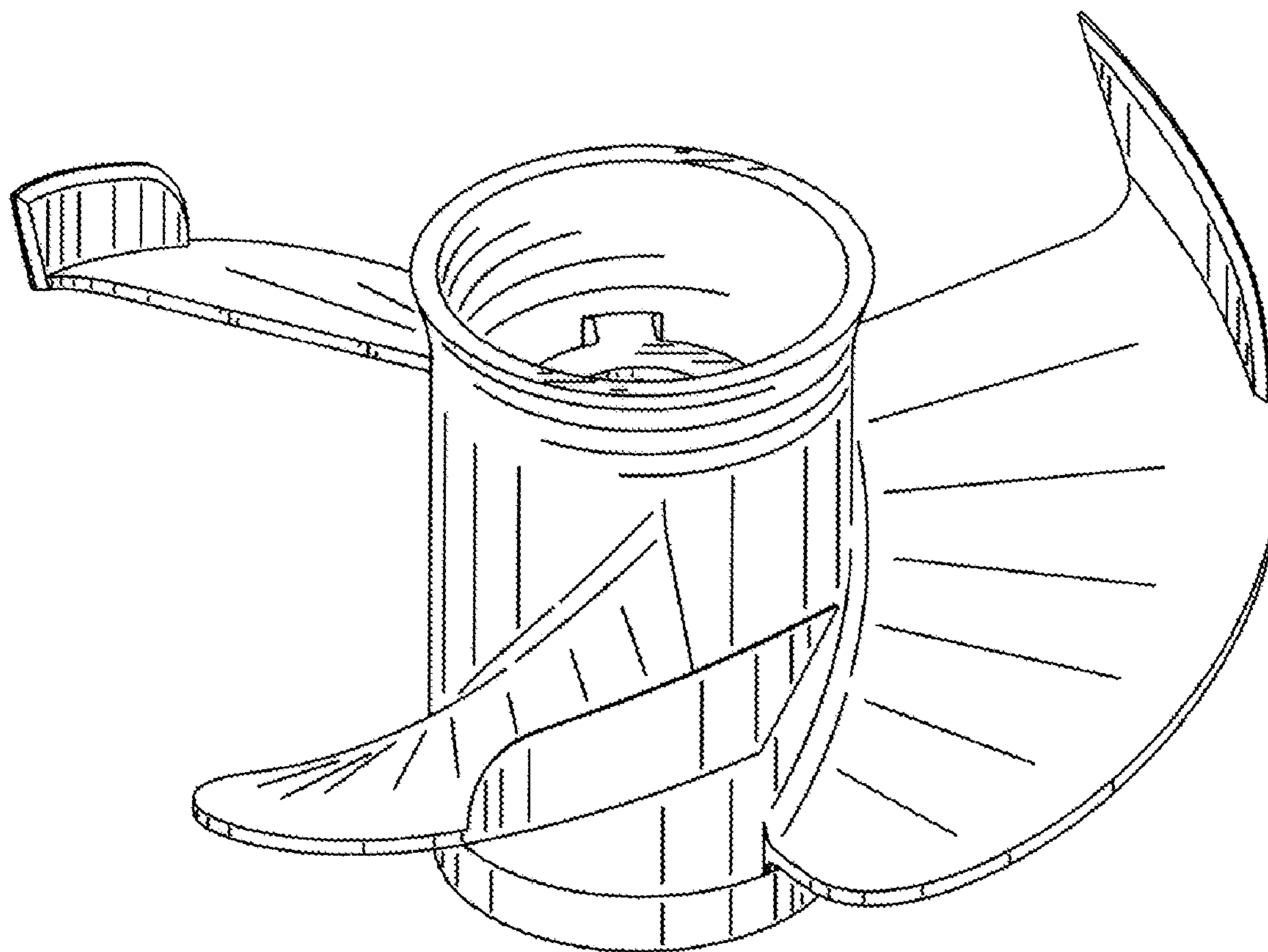
FIG. 7 is a bottom view thereof.

(56) **References Cited**

U.S. PATENT DOCUMENTS

D353,572 S *	12/1994	Schlangen et al. ....	D12/214
D393,618 S *	4/1998	Gustavsson et al. ....	D12/214
D442,906 S *	5/2001	Prokop .....	D12/214
6,352,408 B1	3/2002	Kilian	
6,866,482 B2	3/2005	Han et al.	

**1 Claim, 7 Drawing Sheets**



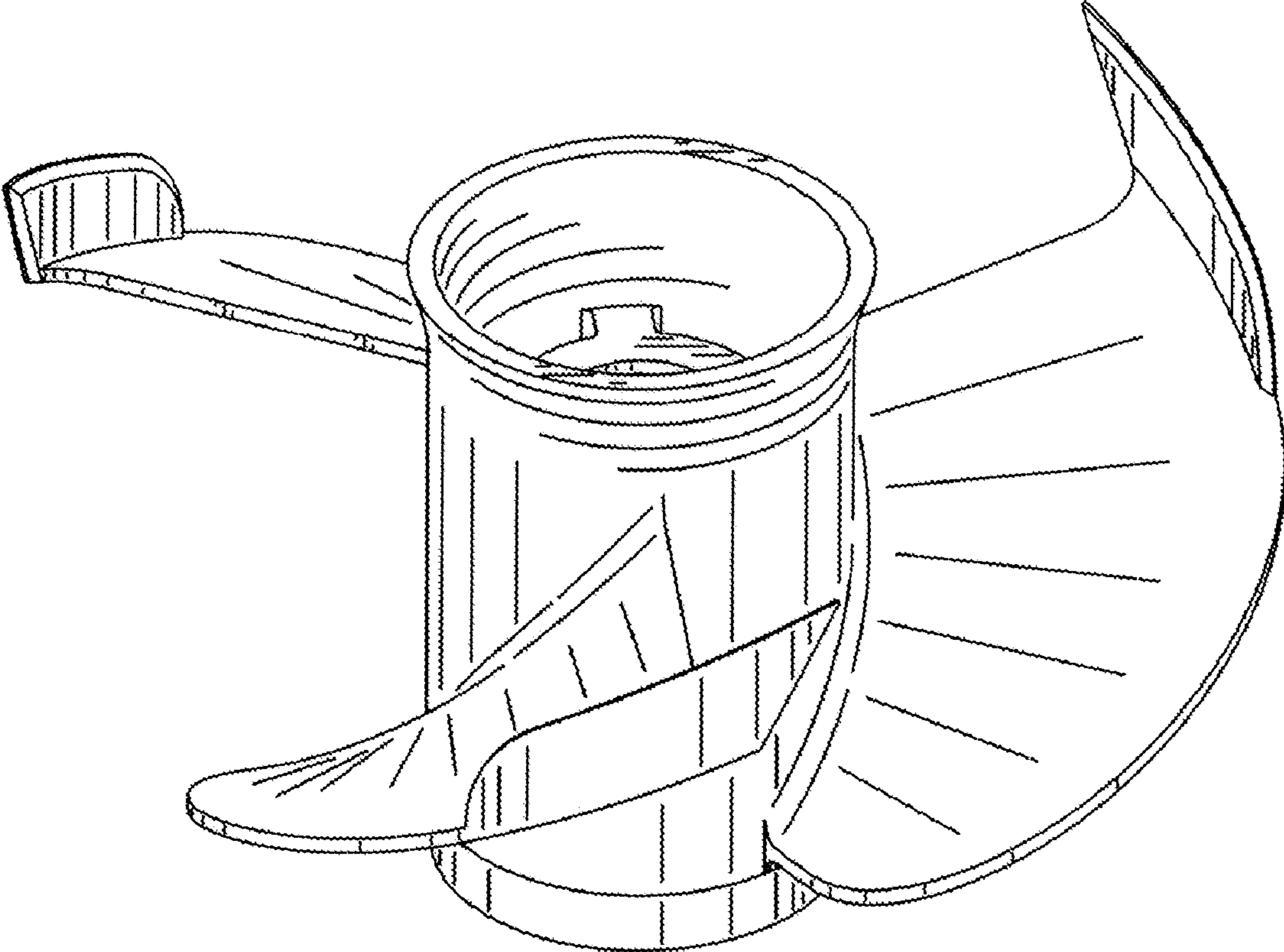


FIG. 1

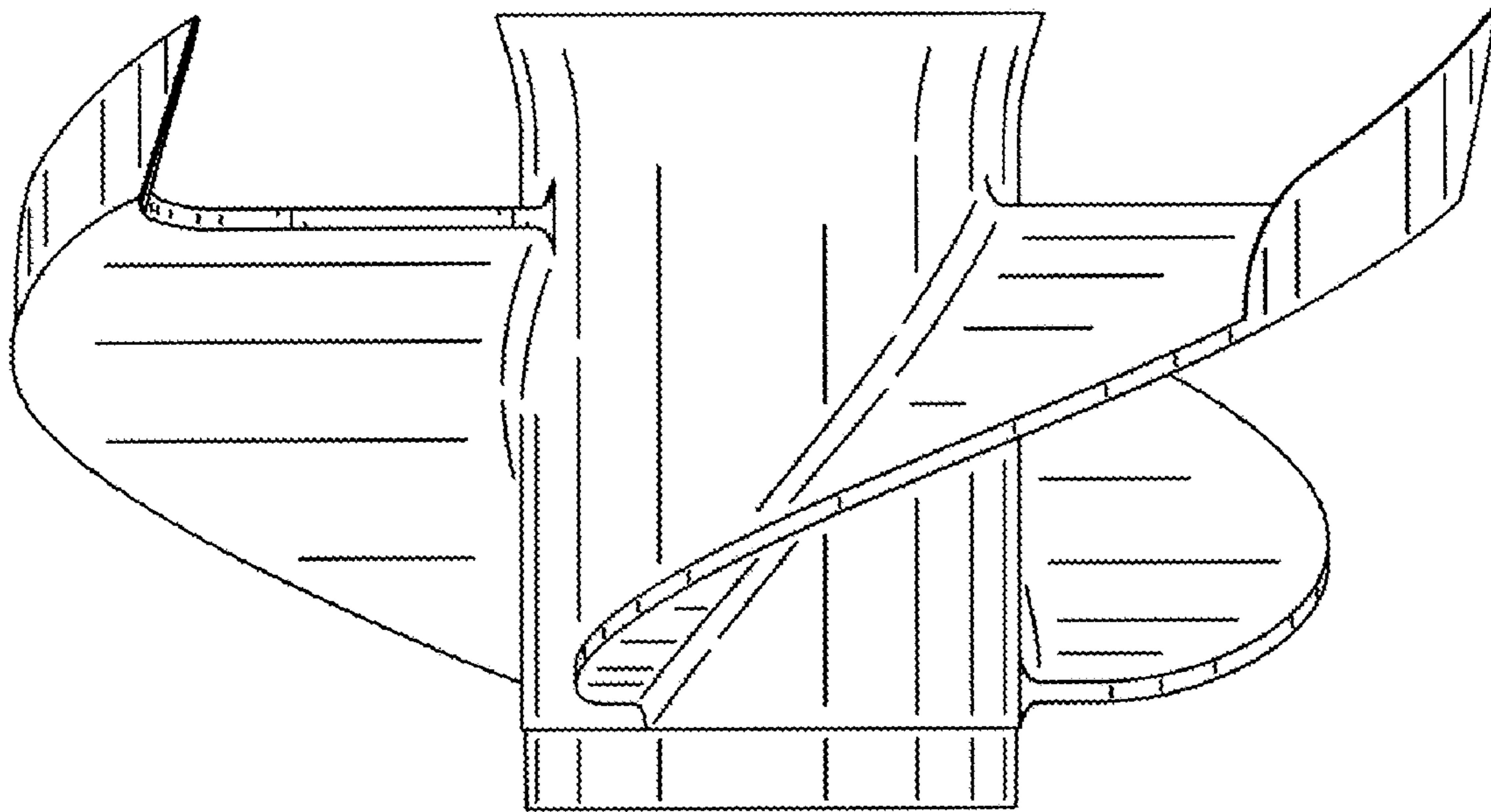


FIG. 2

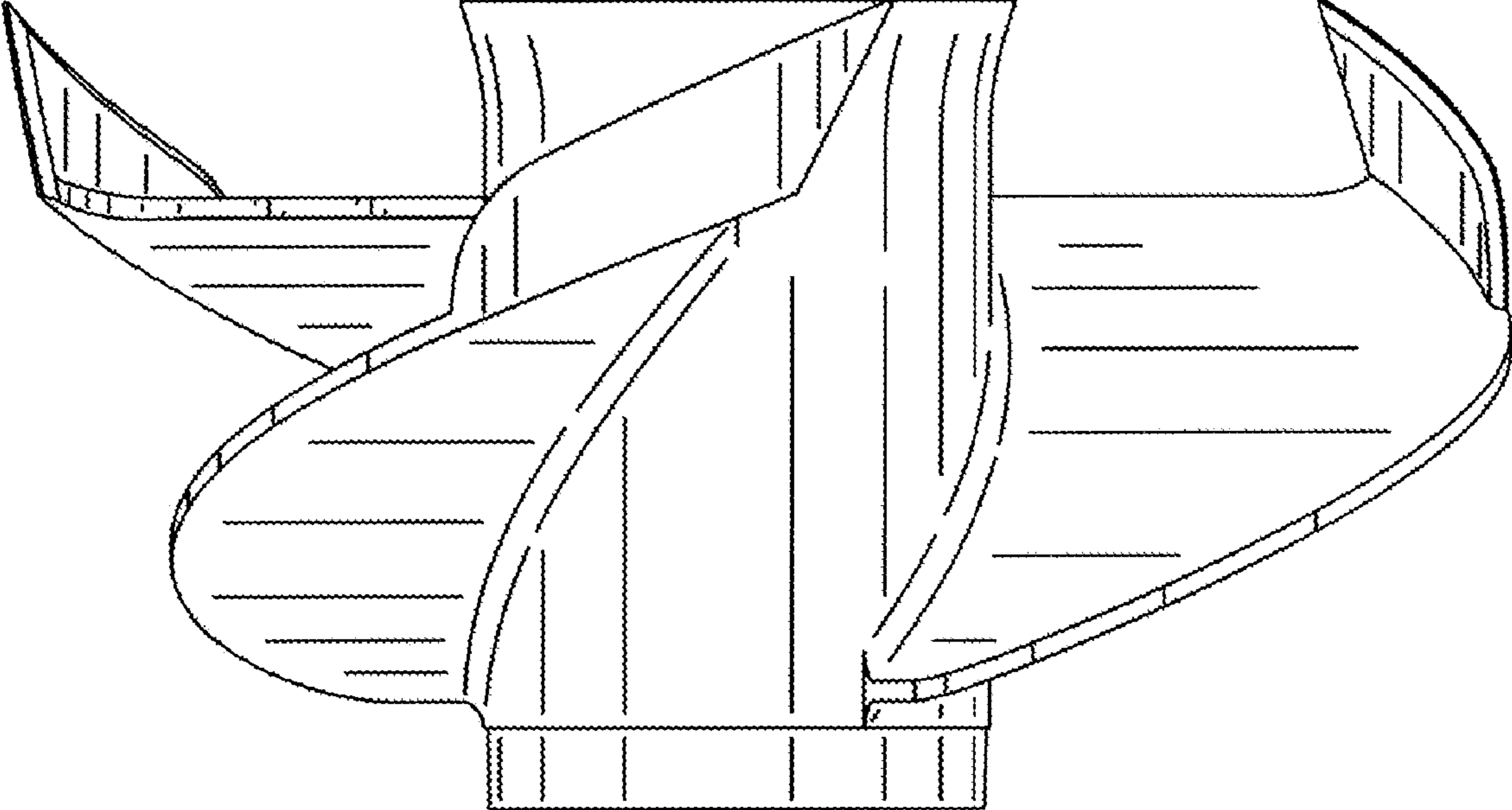


FIG. 3

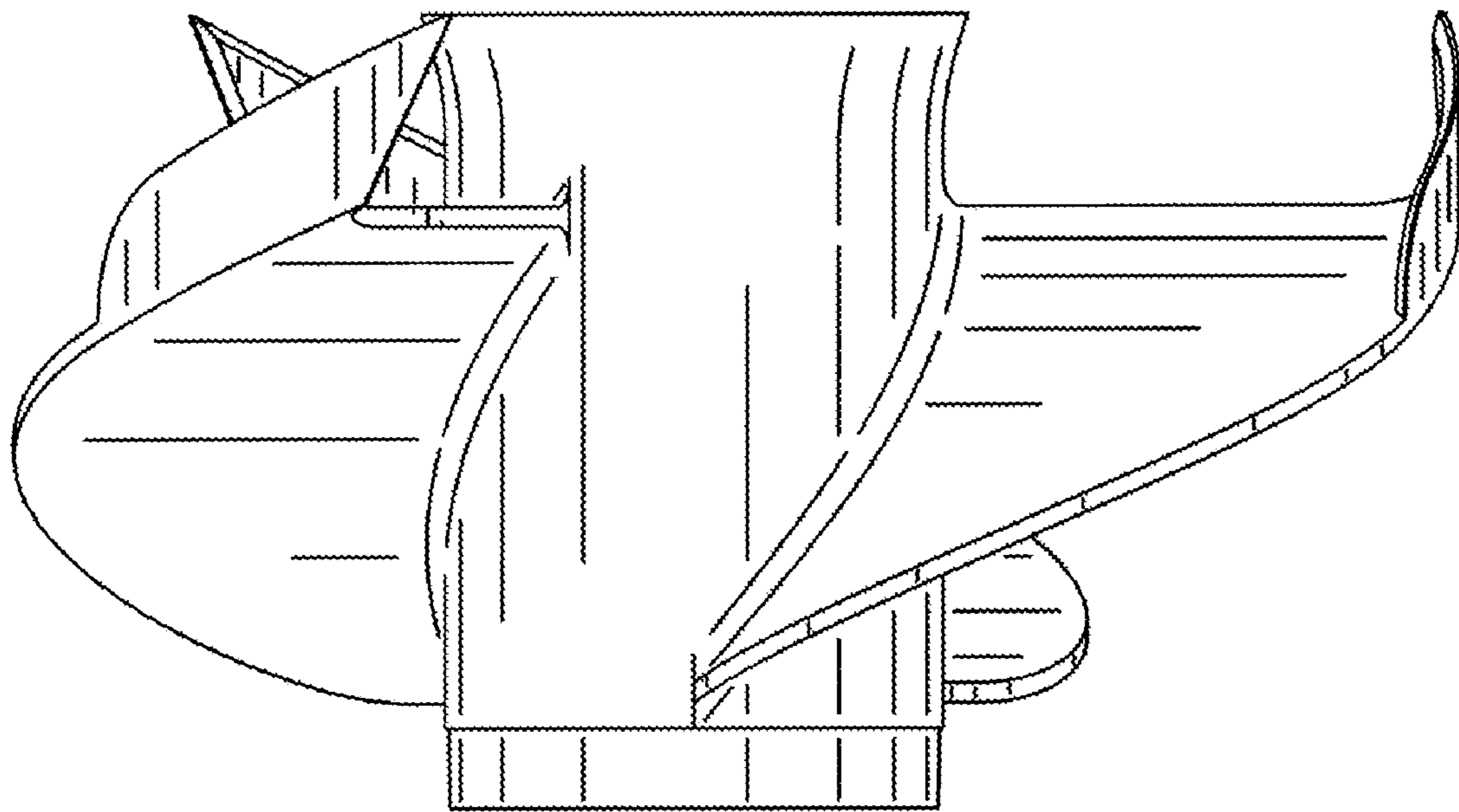


FIG. 4

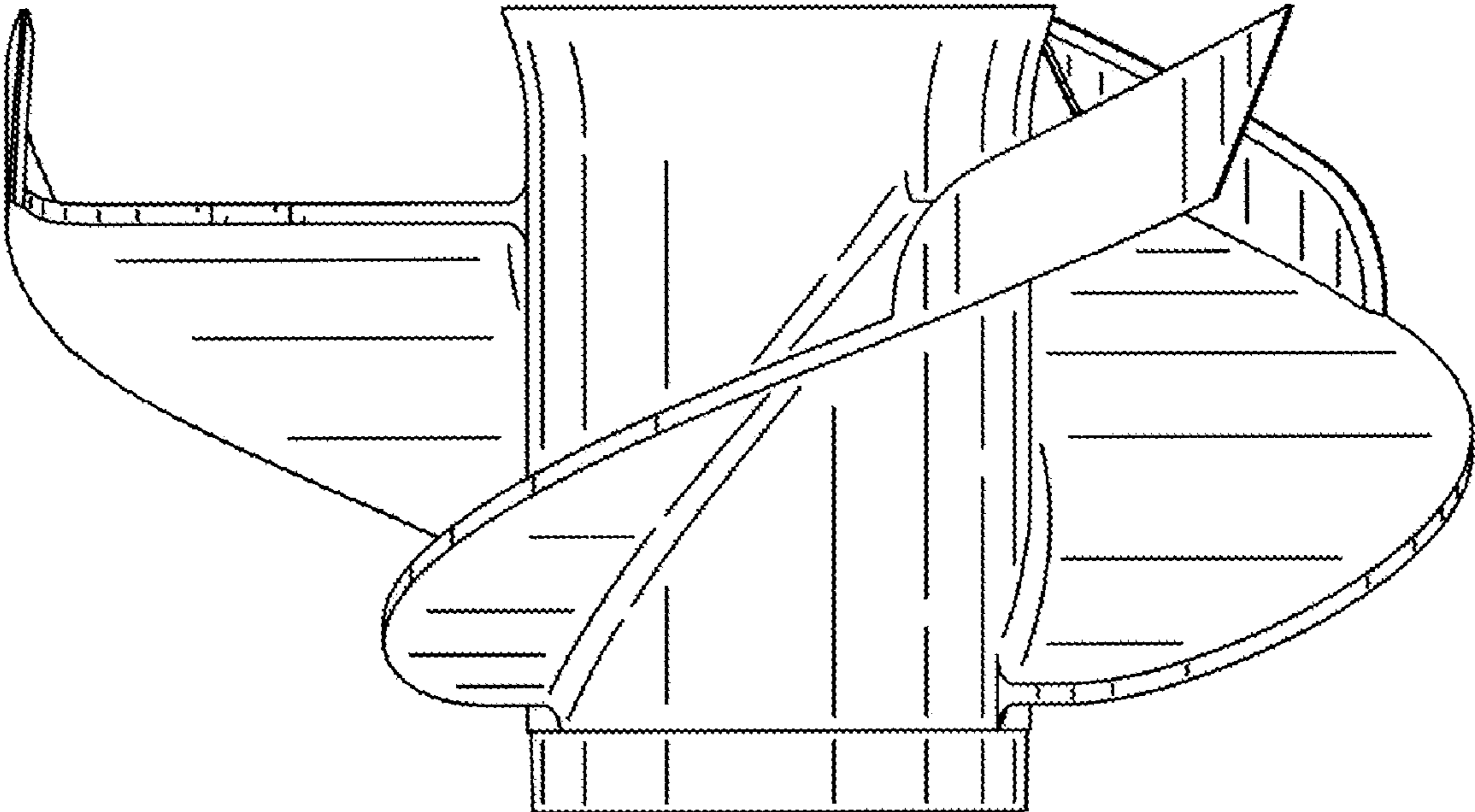


FIG. 5

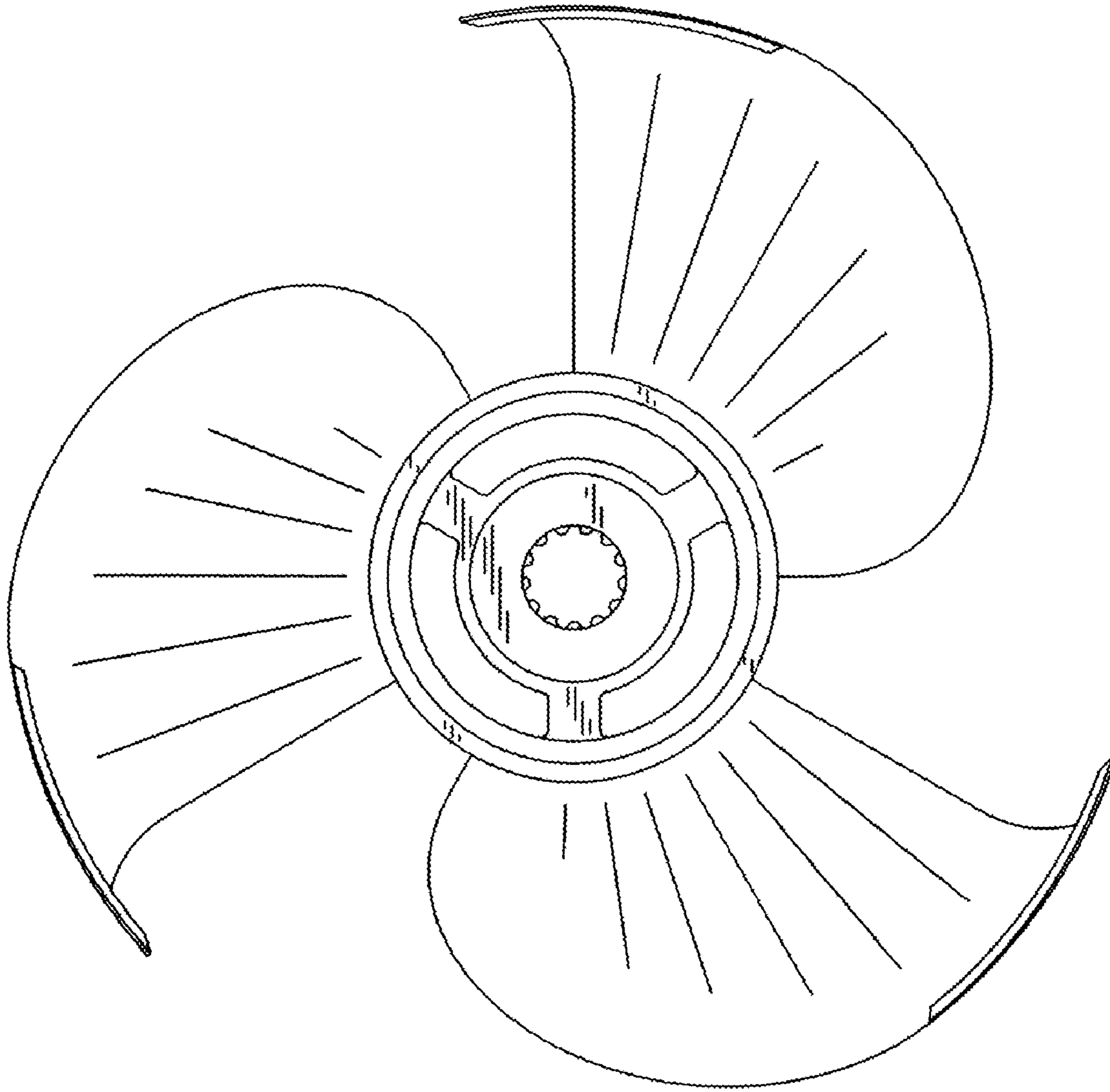


FIG. 6

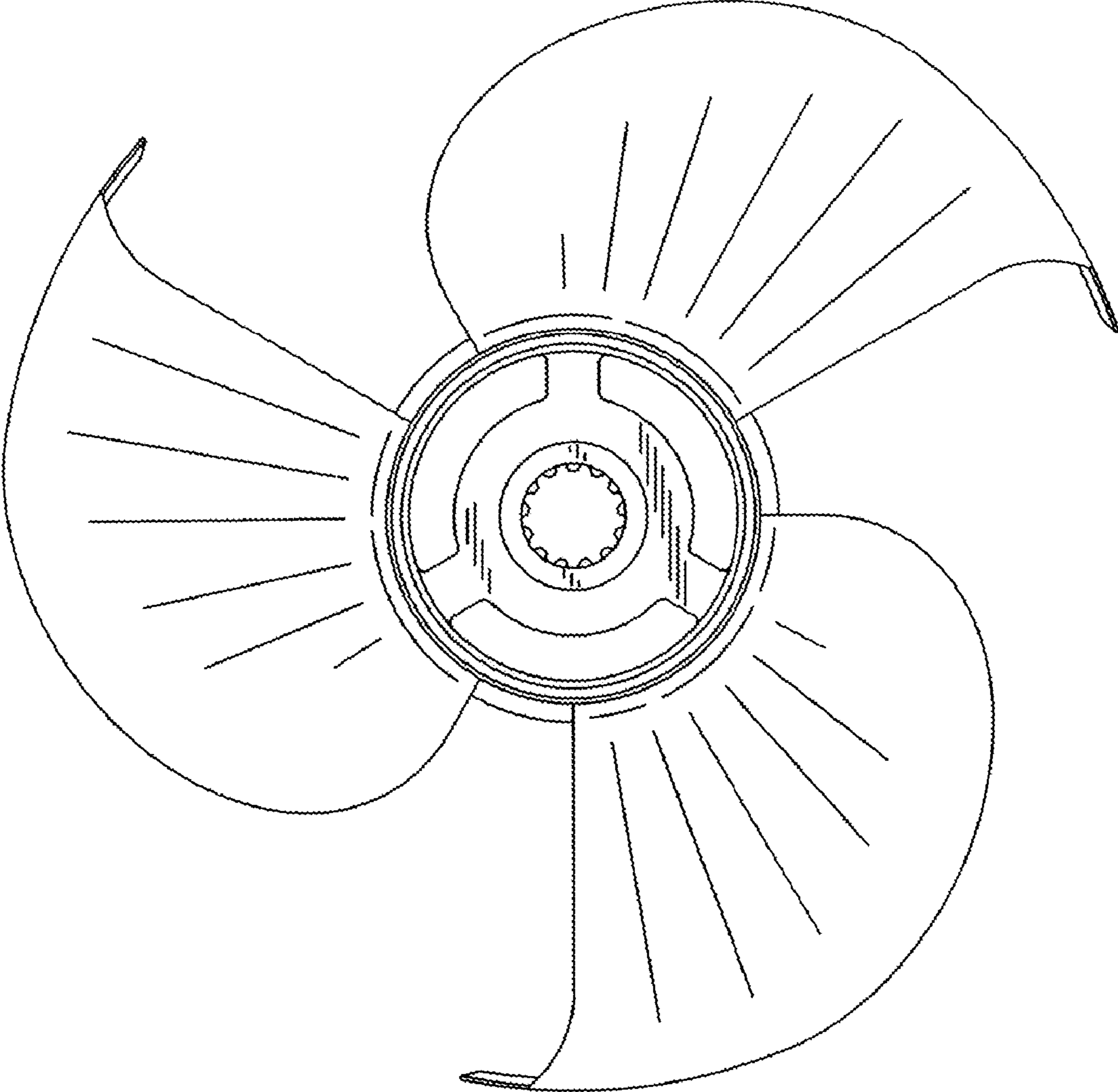


FIG. 7