

US00D560153S

(12) **United States Design Patent**  
**Zane**

(10) **Patent No.:** **US D560,153 S**

(45) **Date of Patent:** **\*\* Jan. 22, 2008**

(54) **VEHICLE WHEEL SHIELD**

(76) Inventor: **Martin L. Zane**, 14896 Garfield, Allen Park, MI (US) 48101

(\*\*) Term: **14 Years**

(21) Appl. No.: **29/273,912**

(22) Filed: **Mar. 16, 2007**

(51) **LOC (8) Cl.** ..... **12-16**

(52) **U.S. Cl.** ..... **D12/213**

(58) **Field of Classification Search** ..... D12/213;  
D6/300-303, 310-314; 40/200-203, 207-216;  
428/346

See application file for complete search history.

(56) **References Cited**

**U.S. PATENT DOCUMENTS**

D337,090 S *	7/1993	Wilfong, III	.....	D12/213
D387,725 S *	12/1997	Cochran et al.	.....	D12/213
6,179,387 B1	1/2001	Nasset, Sr. et al.		
D438,835 S *	3/2001	Maschino	.....	D12/213
6,425,639 B1	7/2002	Getzelman		
D477,802 S *	7/2003	Williams	.....	D12/213
6,585,329 B2	7/2003	Crump		
6,672,677 B1	1/2004	Smith		
6,692,085 B1	2/2004	Threadgill		

D491,874 S *	6/2004	Cook	.....	D12/213
6,846,046 B2	1/2005	Brown		
6,863,353 B1	3/2005	Buckner		
D504,652 S *	5/2005	Woodberry	.....	D12/213
6,895,980 B2	5/2005	Rosborough		
D516,494 S *	3/2006	Apodaca et al.	.....	D12/213
D540,242 S *	4/2007	Holguin	.....	D12/213

\* cited by examiner

*Primary Examiner*—Stacia Cadmus

(74) *Attorney, Agent, or Firm*—Robert C. Montgomery

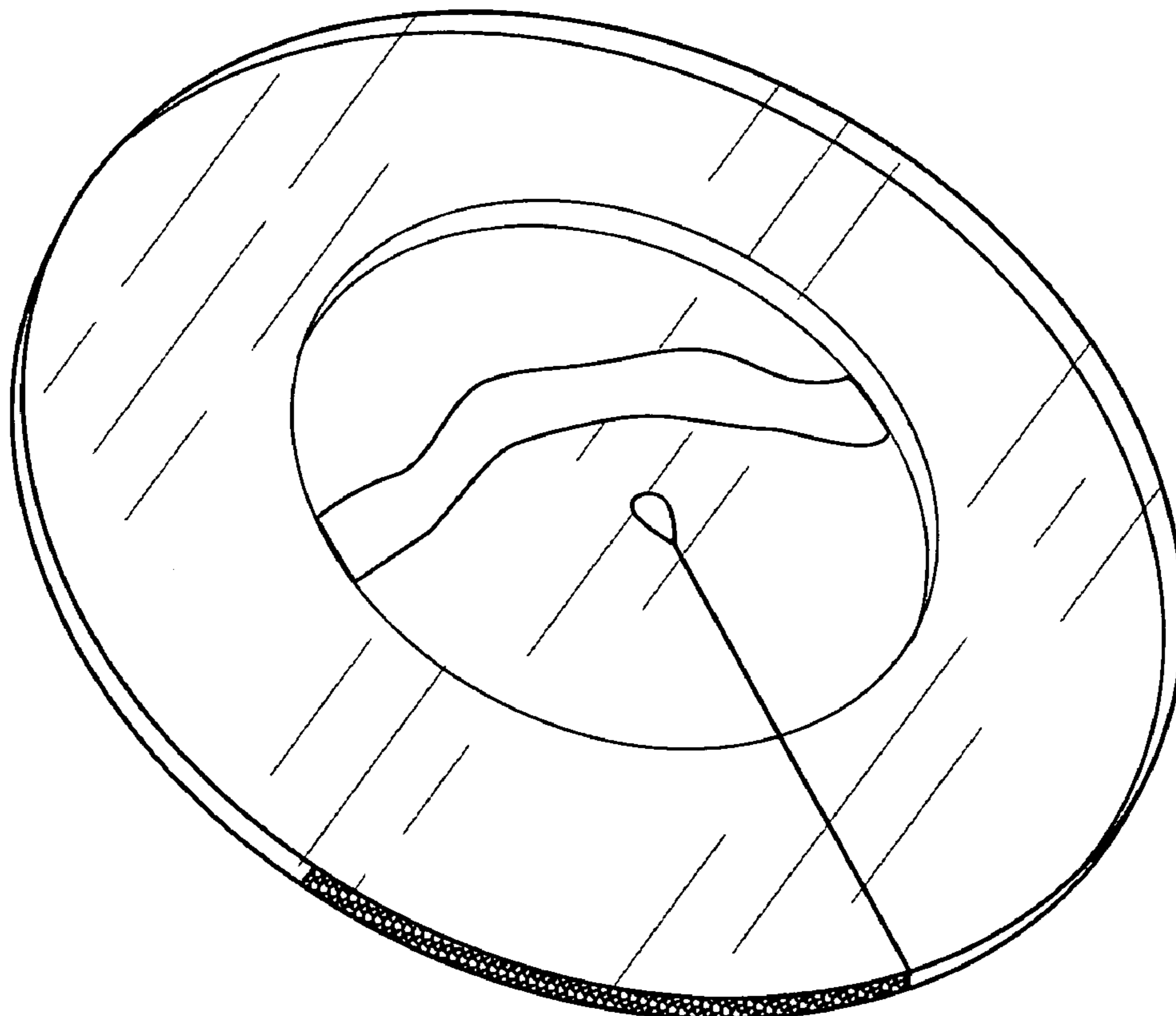
(57) **CLAIM**

The ornamental design for a vehicle wheel shield, as shown and described.

**DESCRIPTION**

FIG. 1 is a perspective view of a vehicle wheel shield;  
 FIG. 2 is a front elevation view thereof;  
 FIG. 3 is a rear elevation view thereof;  
 FIG. 4 is a right-hand side elevation view thereof;  
 FIG. 5 is a left-hand side elevation view thereof;  
 FIG. 6 is a top view thereof; and,  
 FIG. 7 is a bottom view thereof.

**1 Claim, 4 Drawing Sheets**



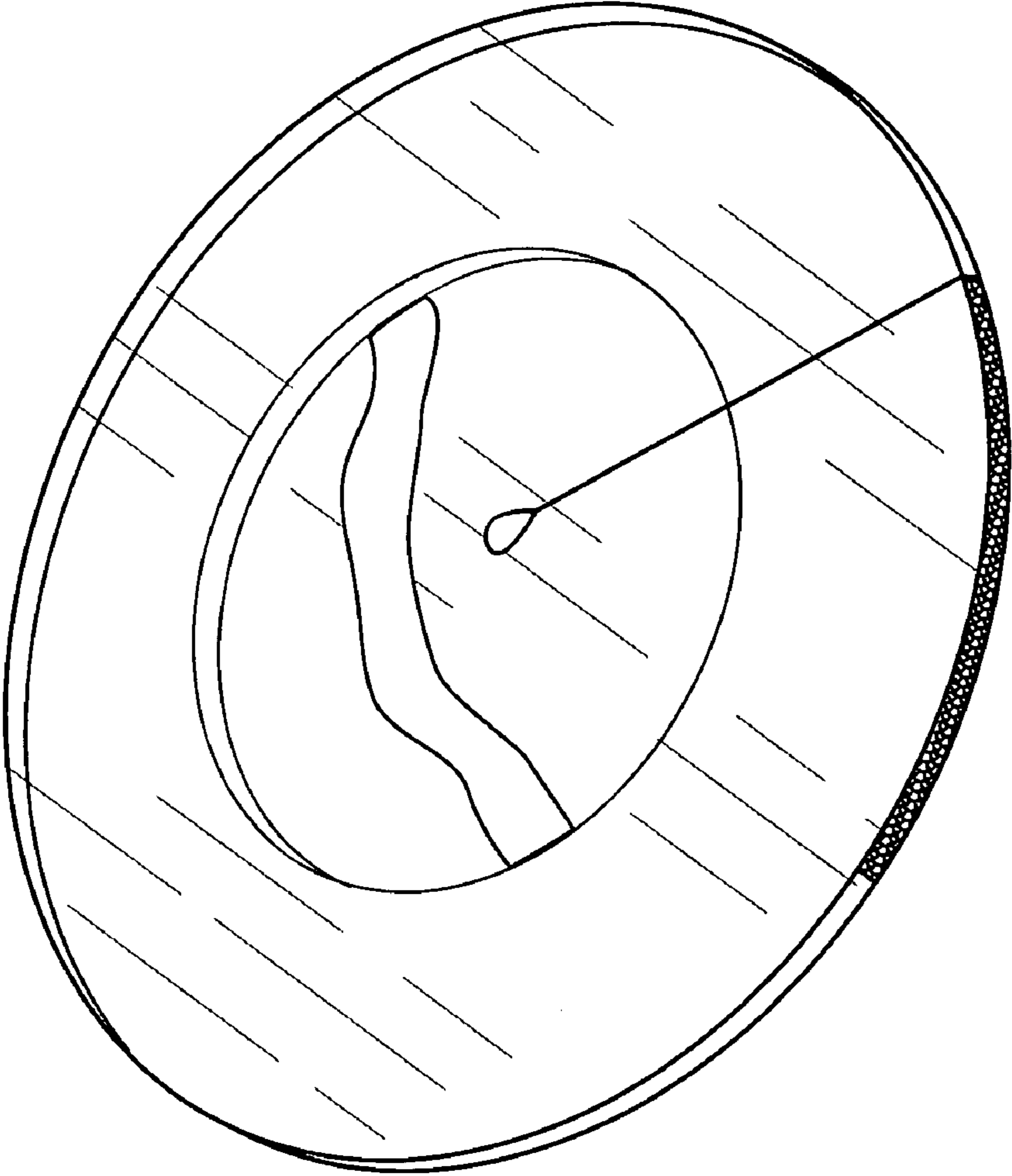
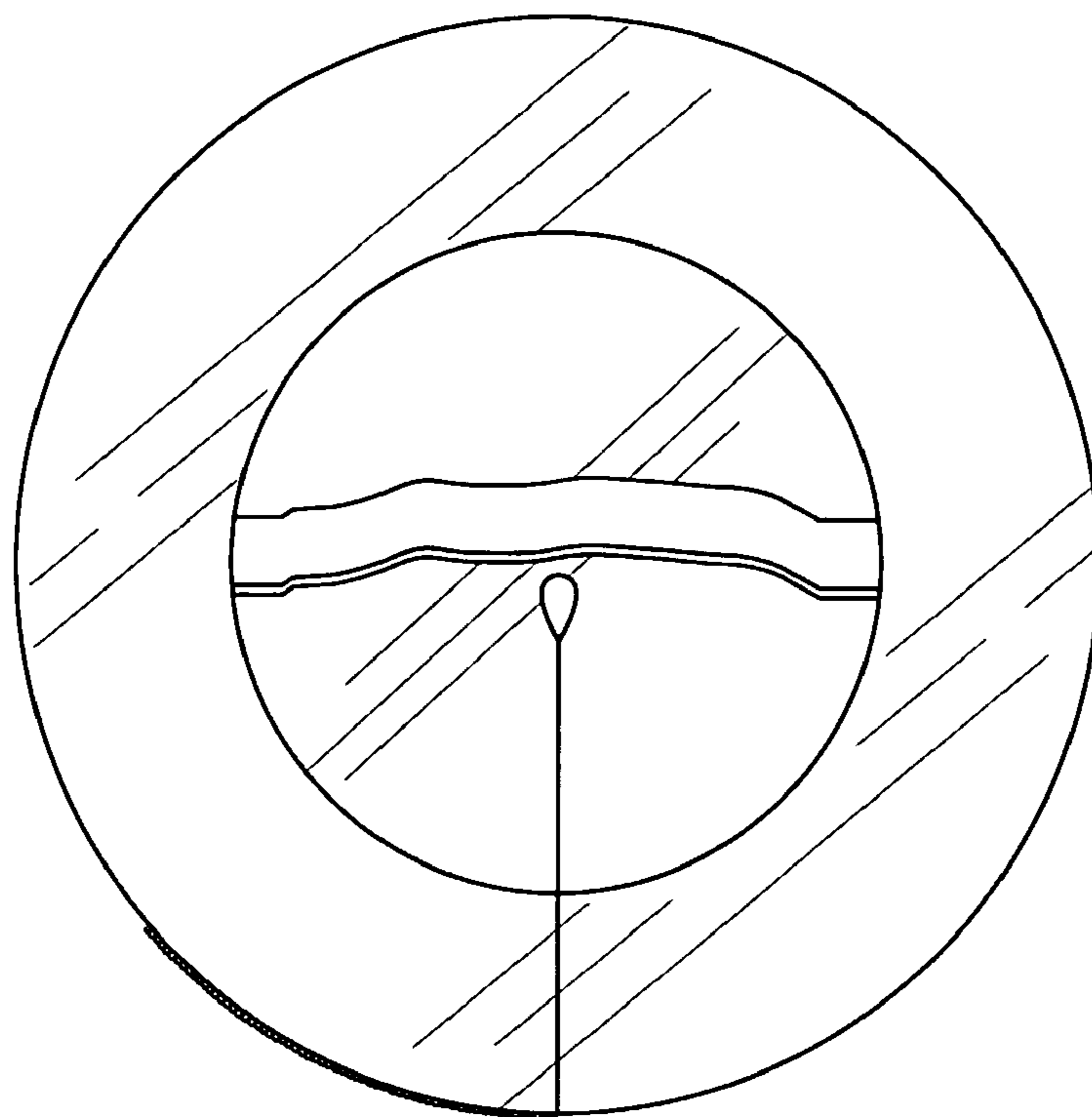
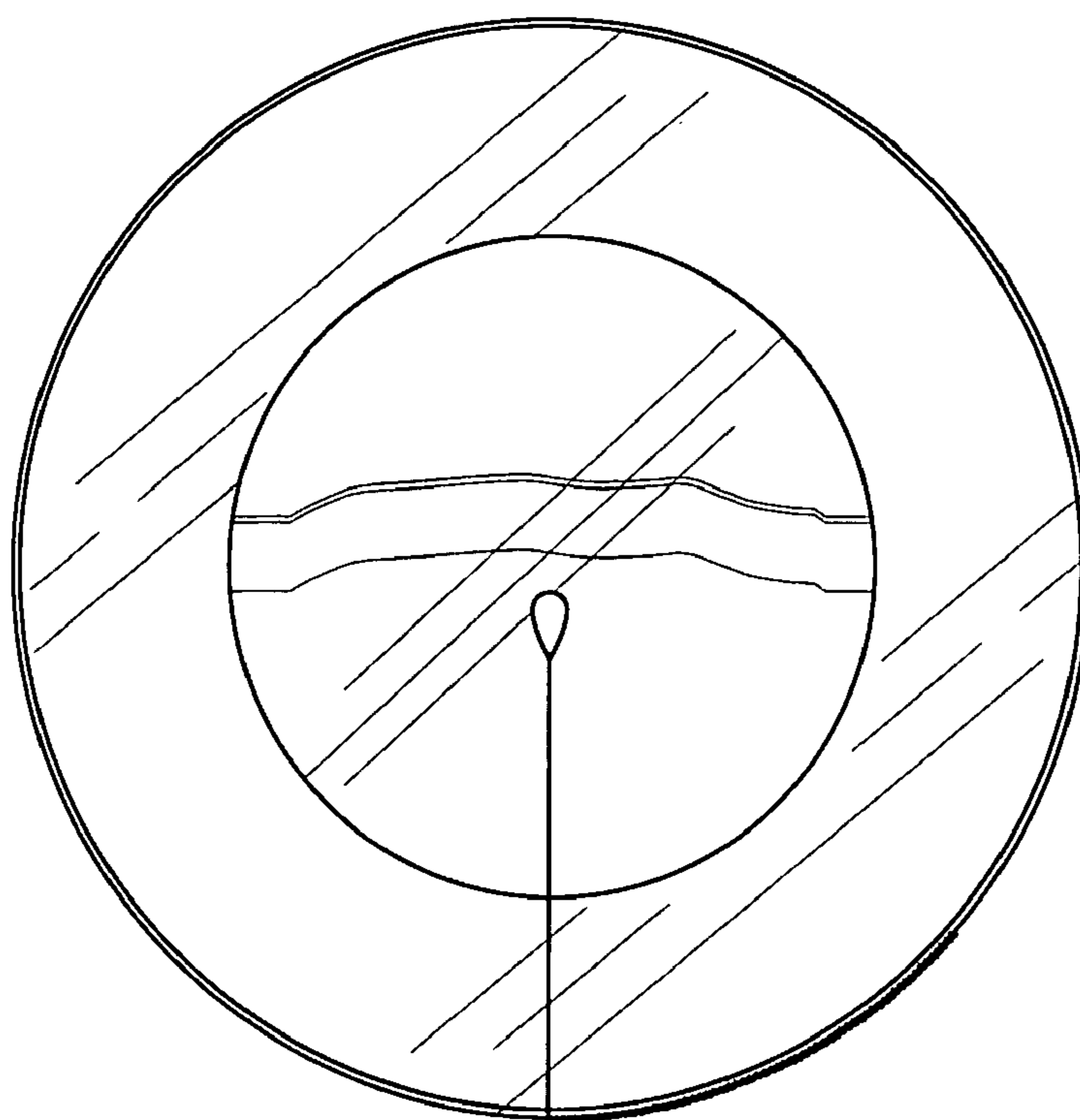


FIG. 1



*FIG. 2*



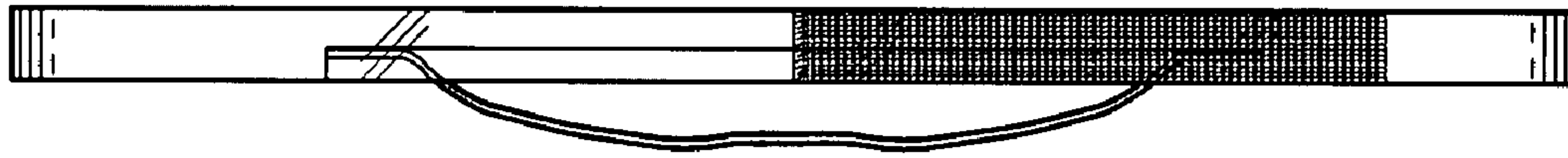
*FIG. 3*



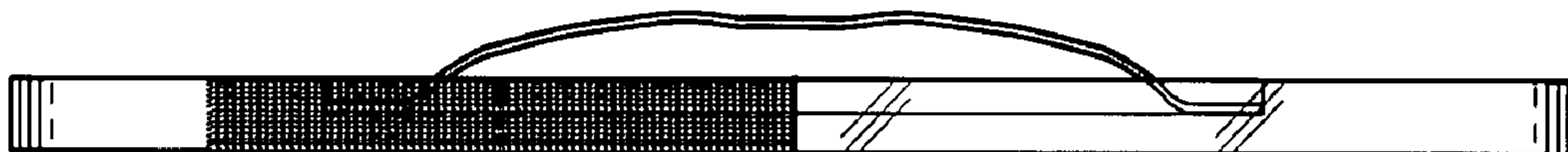
FIG. 5



FIG. 4



*FIG. 6*



*FIG. 7*