



US00D560152S

(12) **United States Design Patent**
Nordmann

(10) **Patent No.:** **US D560,152 S**
(45) **Date of Patent:** **** Jan. 22, 2008**

(54) **FRONT FACE OF A VEHICLE WHEEL**

(75) Inventor: **Christoph Nordmann**, Munich (DE)

(73) Assignee: **Bayerische Motoren Werke
Aktiengesellschaft**, Munich (DE)

(**) Term: **14 Years**

(21) Appl. No.: **29/244,831**

(22) Filed: **Dec. 15, 2005**

(30) **Foreign Application Priority Data**

Jun. 16, 2005 (DE) 4 05 03 085

(51) **LOC (8) Cl.** **12-16**

(52) **U.S. Cl.** **D12/211**

(58) **Field of Classification Search** D12/204-213;
301/37.101, 64.101, 65
See application file for complete search history.

(56) **References Cited**

U.S. PATENT DOCUMENTS

D215,652 S	*	10/1969	Griffith	D12/211
D407,057 S	*	3/1999	Goplen	D12/211
D436,912 S	*	1/2001	Boyer	D12/211
D480,674 S	*	10/2003	Lecher et al.	D12/209
D483,313 S	*	12/2003	Lenz	D12/209
D500,470 S	*	1/2005	Rice	D12/211
D503,917 S	*	4/2005	Kushartanto	D12/209

D505,903 S	*	6/2005	Nordmann	D12/209
D507,225 S	*	7/2005	Velazco	D12/211
D519,905 S	*	5/2006	Muzzarelli	D12/209
D521,921 S	*	5/2006	Hueller	D12/209
D525,928 S	*	8/2006	Pfeiffer	D12/209
D527,325 S	*	8/2006	Nagashima	D12/209
D529,429 S	*	10/2006	Hsu	D12/209
D541,204 S	*	4/2007	Huet	D12/211
D542,729 S	*	5/2007	Hieke	D12/211

FOREIGN PATENT DOCUMENTS

EM 000106513-0006 12/2004

* cited by examiner

Primary Examiner—Stacia Cadmus

(74) *Attorney, Agent, or Firm*—Crowell & Moring LLP

(57) **CLAIM**

The ornamental design for a front face of a vehicle wheel, as shown and described.

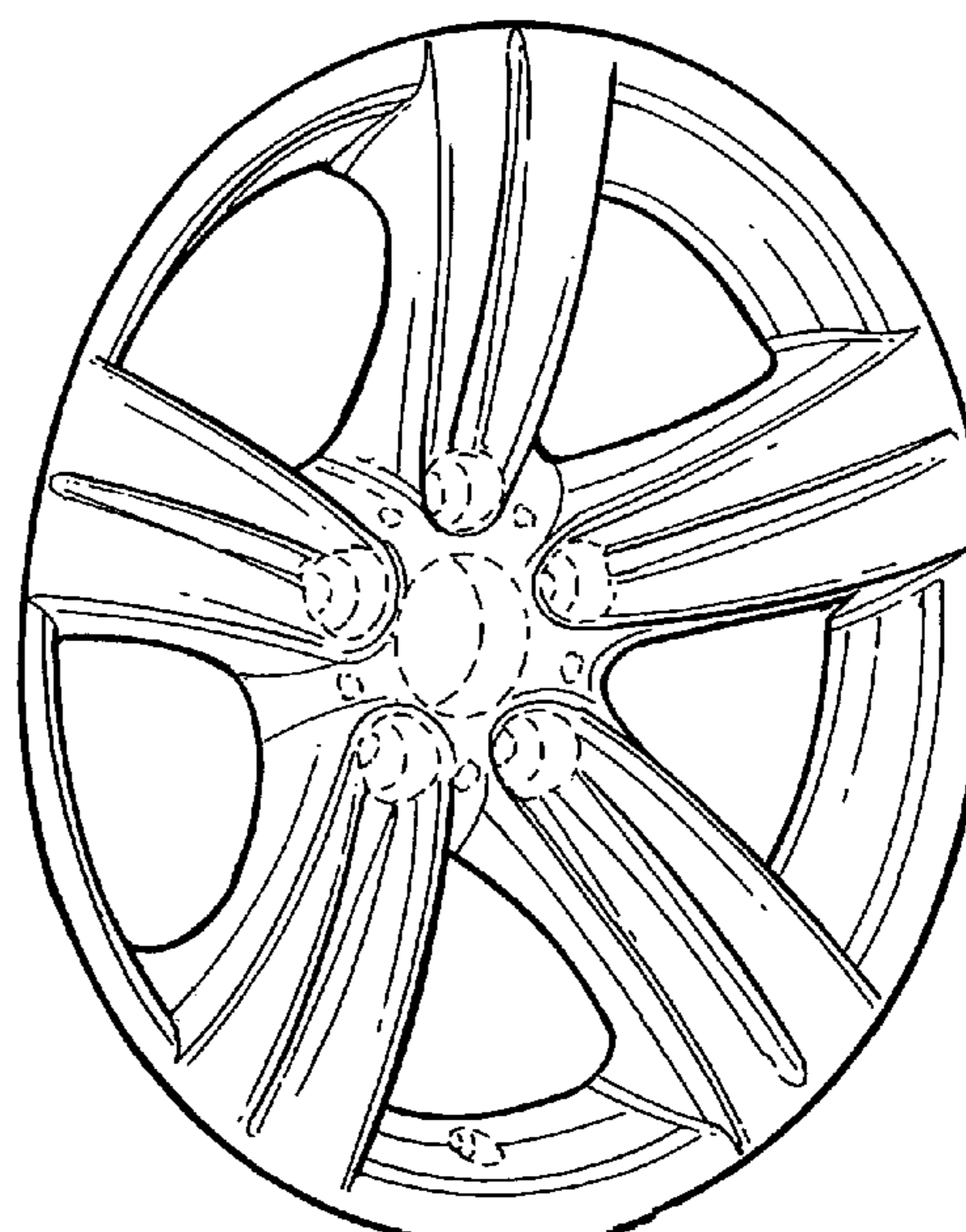
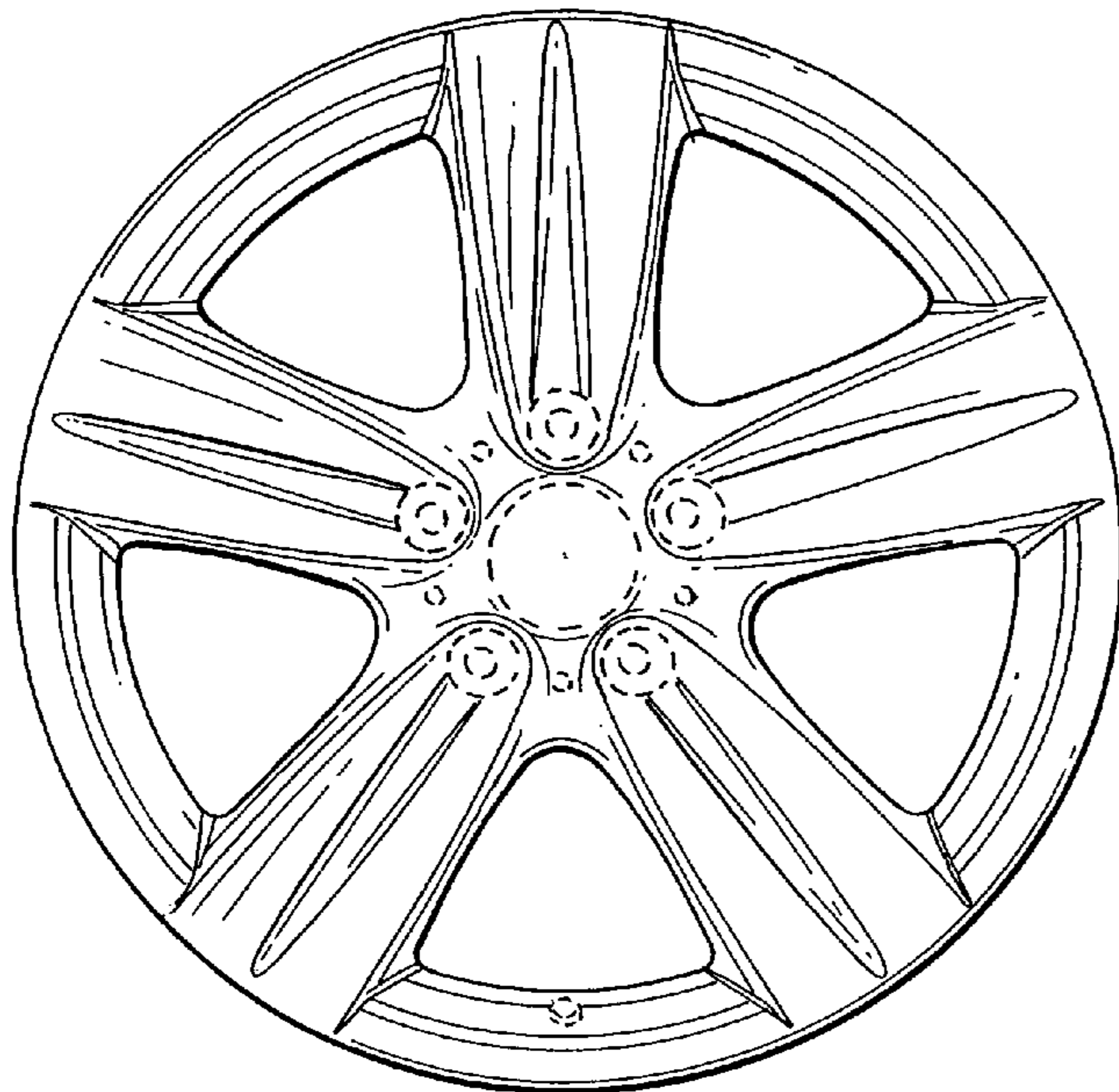
DESCRIPTION

FIG. 1 is a front view of a front face of a vehicle wheel according to my novel design; and,

FIG. 2 is a perspective view thereof.

The broken lines are for illustrative purposes only and form no part of the claimed design.

1 Claim, 1 Drawing Sheet



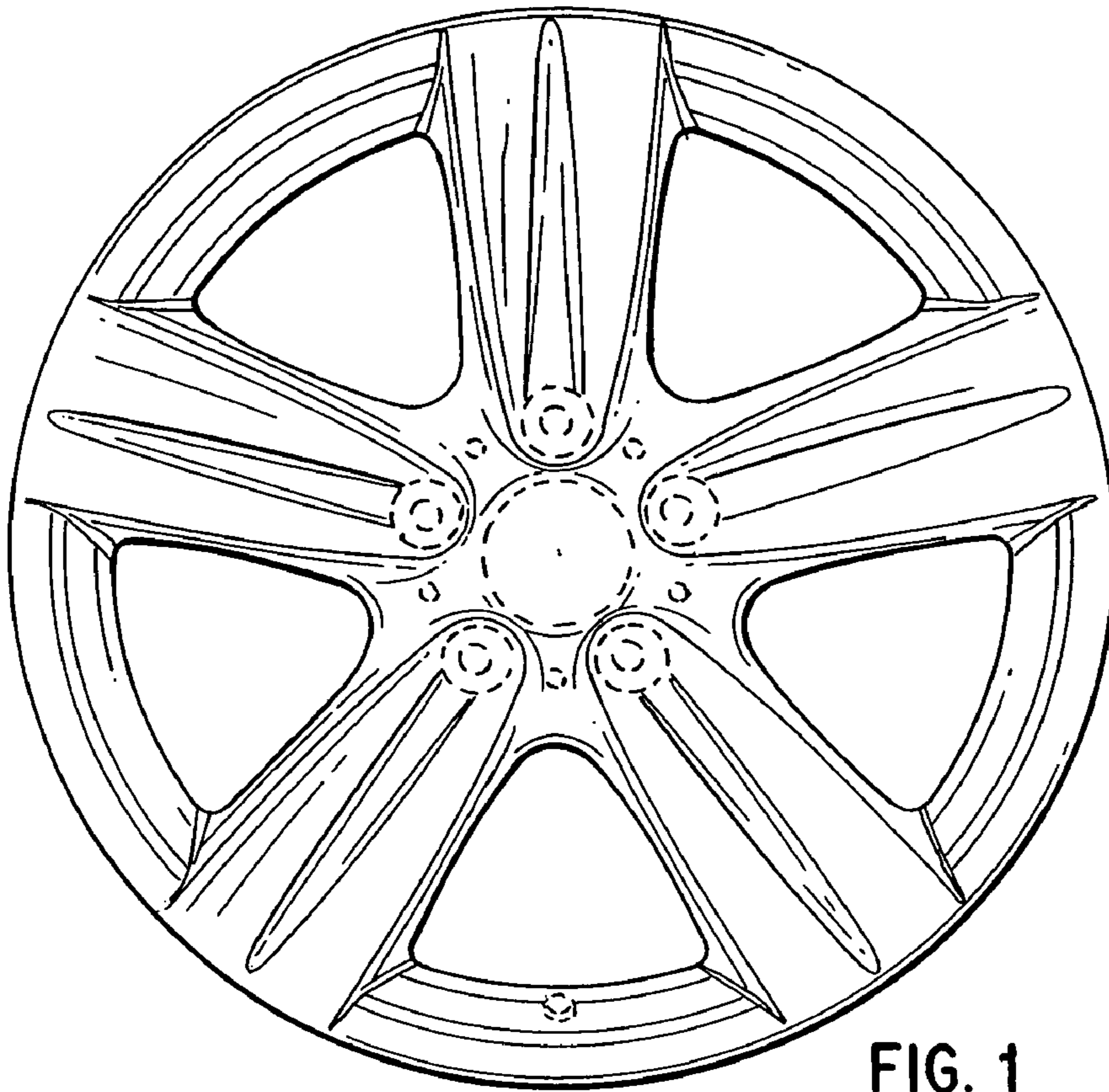


FIG. 1

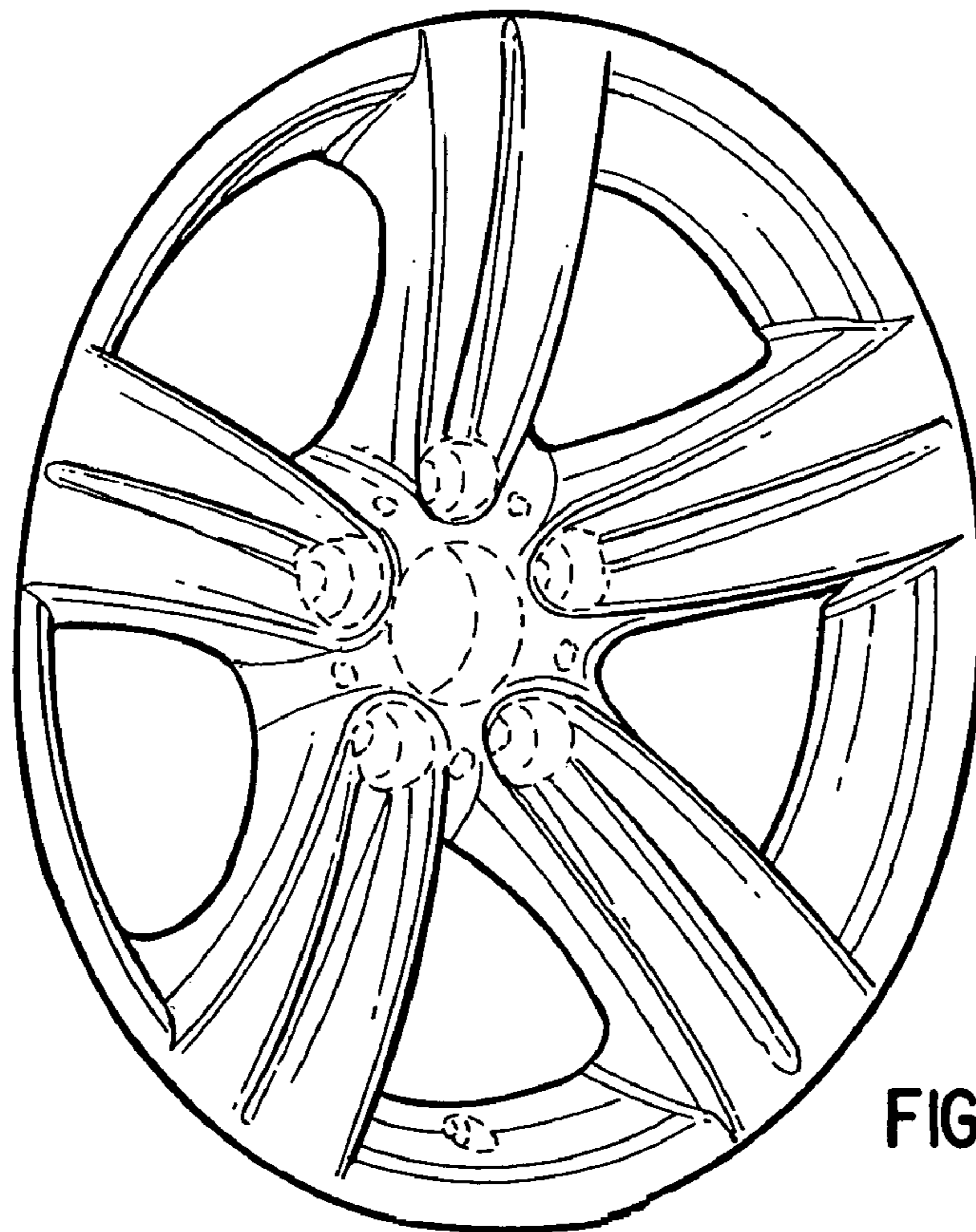


FIG. 2