

US00D560151S

(12) **United States Design Patent**
Jeffries

(10) **Patent No.:** **US D560,151 S**

(45) **Date of Patent:** **** Jan. 22, 2008**

(54) **TRUCK STEP**

D436,336 S * 1/2001 Sadr D12/203
D536,651 S * 2/2007 Polka D12/203

(76) Inventor: **Jerry L. Jeffries**, 2911 E. Mira Loma,
Suite 27, Anaheim, CA (US) 92806

* cited by examiner

(**) Term: **14 Years**

Primary Examiner—Stacia Cadmus

(21) Appl. No.: **29/288,723**

(57) **CLAIM**

(22) Filed: **Jun. 21, 2007**

I claim the ornamental design for a truck step, as shown and described.

(51) **LOC (8) Cl.** **12-16**

(52) **U.S. Cl.** **D12/203**

(58) **Field of Classification Search** D12/203,
D12/400; D25/68-69; 52/179-180, 718.03,
52/718.04; 280/163.166, 169, 163, 164.1-164.2,
280/414.1-414.3, 847-848; 248/214; 182/92
See application file for complete search history.

DESCRIPTION

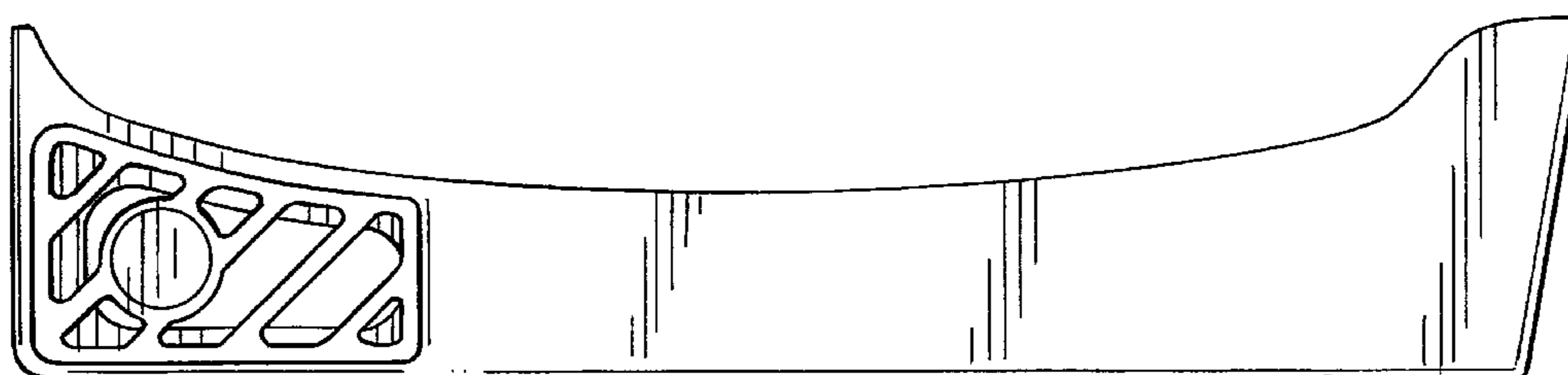
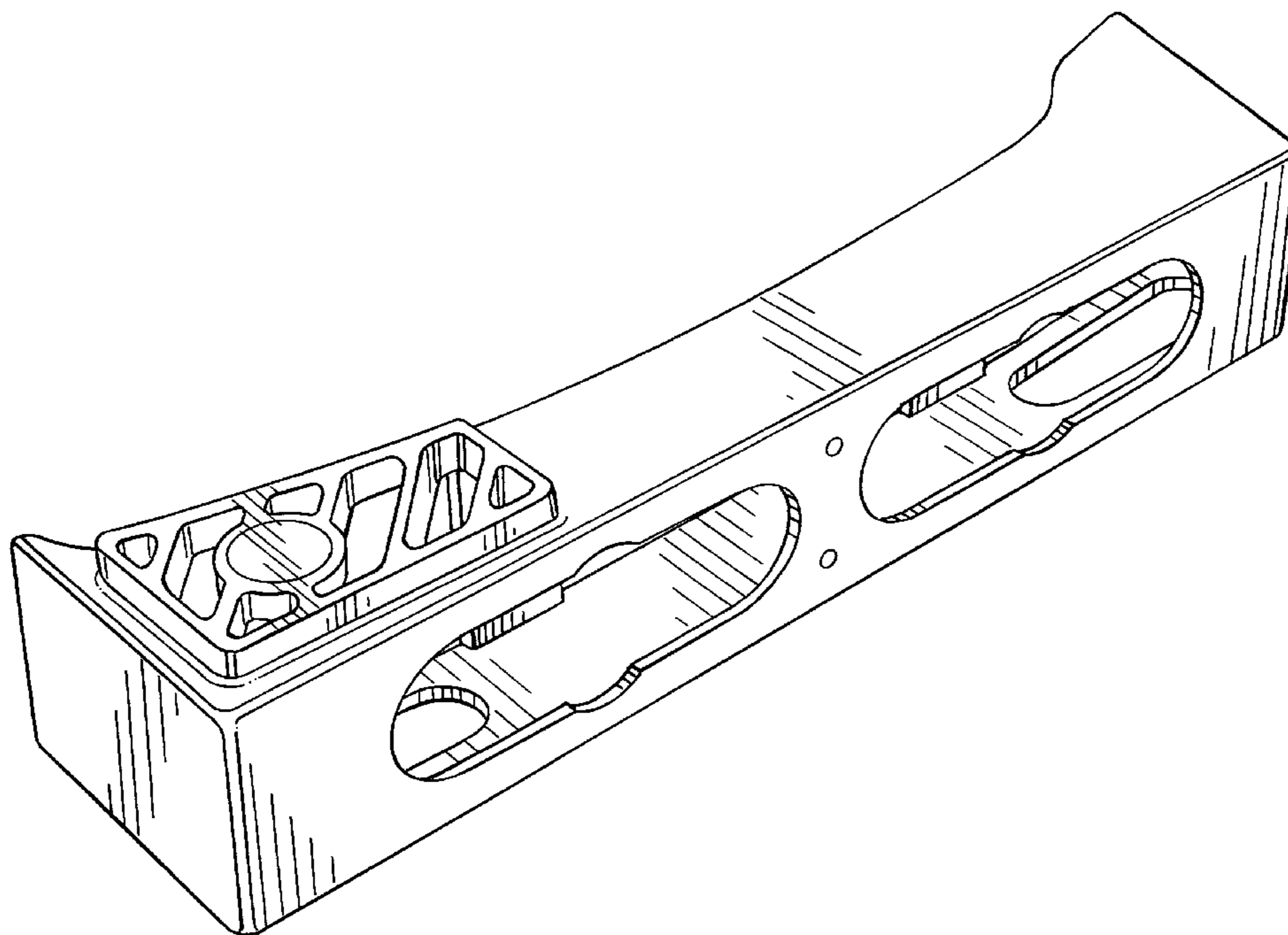
FIG. 1 is a left perspective view of the truck step;
FIG. 2 is a top view of the truck step;
FIG. 3 is a front view of the truck step;
FIG. 4 is a back view of the truck step;
FIG. 5 is a bottom view of the truck step;
FIG. 6 is a left side view of the truck step; and,
FIG. 7 is a right side view of the truck step.

(56) **References Cited**

U.S. PATENT DOCUMENTS

D400,485 S * 11/1998 Zentner D12/203
D415,727 S * 10/1999 Jeffries D12/203
D428,591 S * 7/2000 Jeffries D12/203

1 Claim, 4 Drawing Sheets



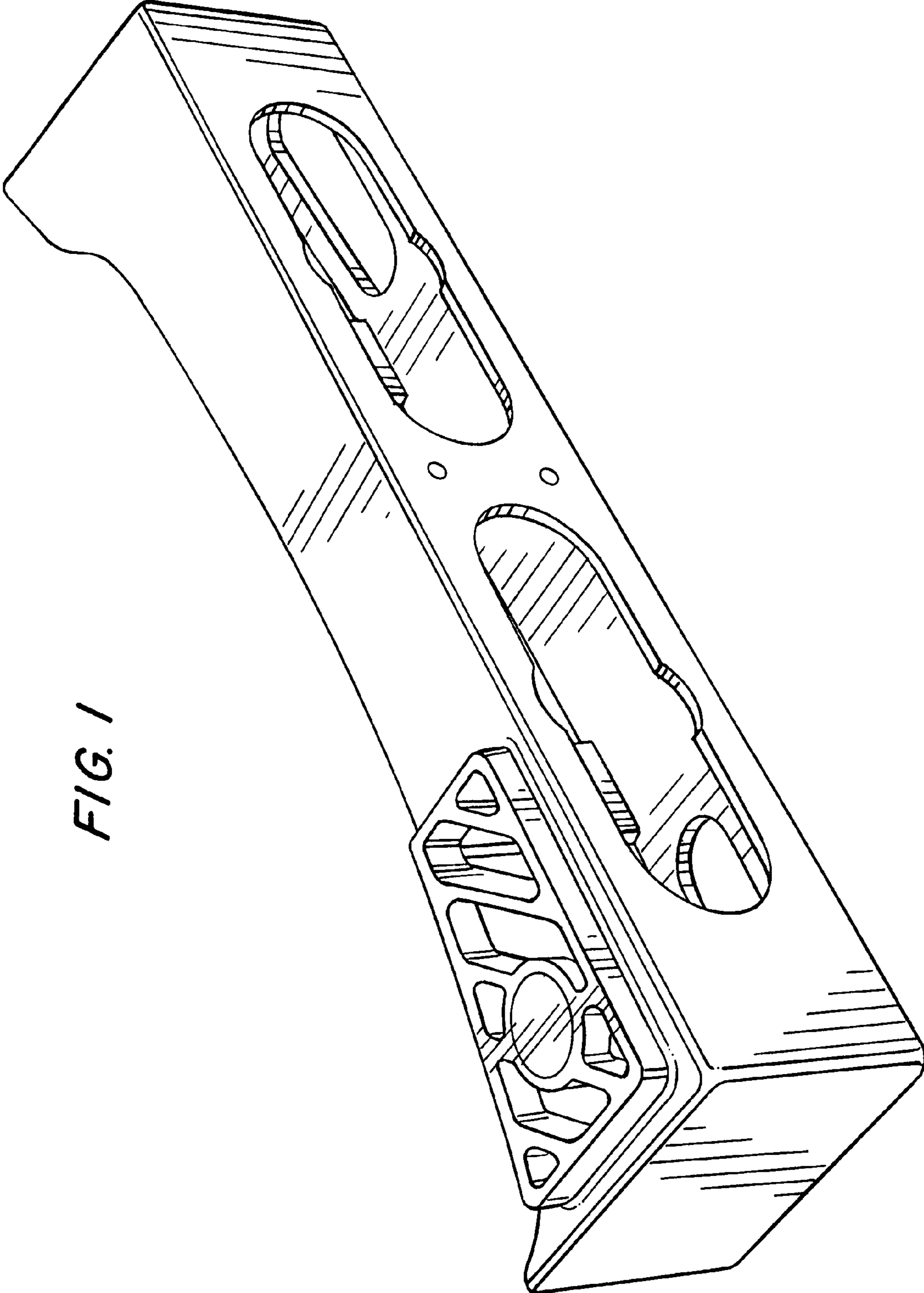


FIG. 1

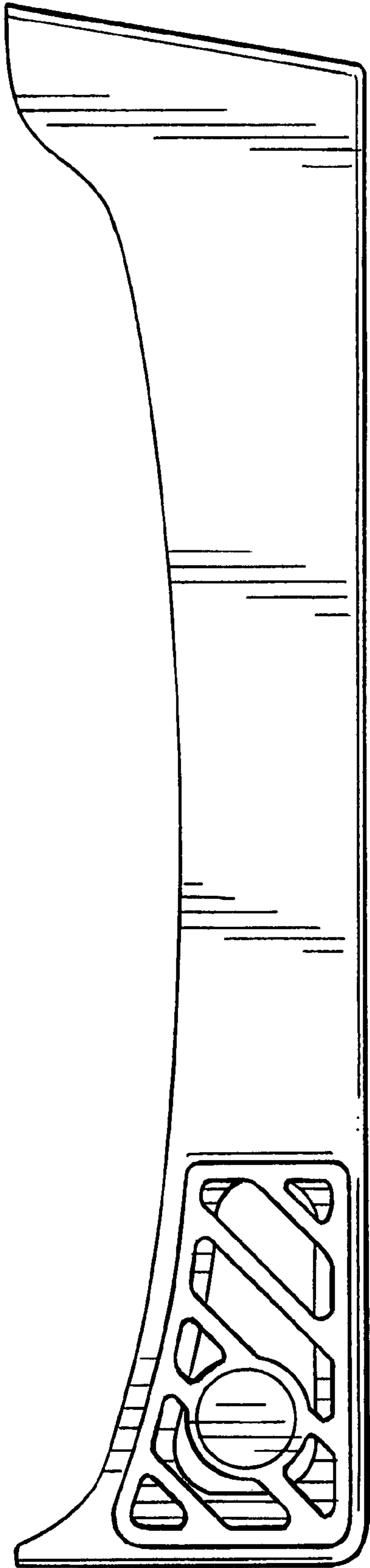


FIG. 2

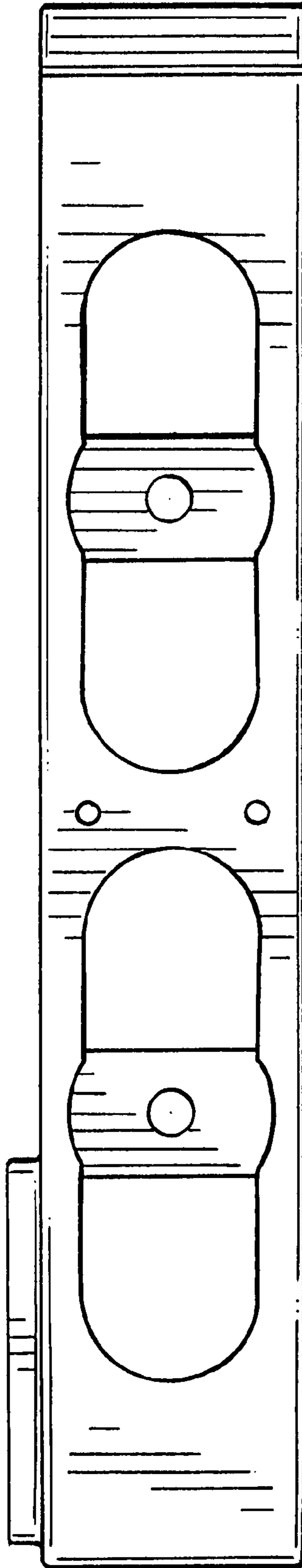


FIG. 3

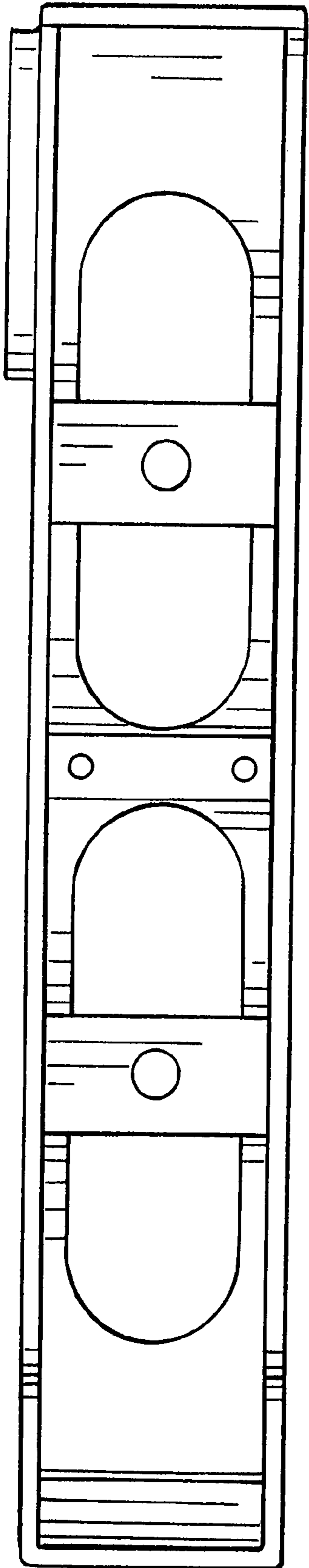


FIG. 4

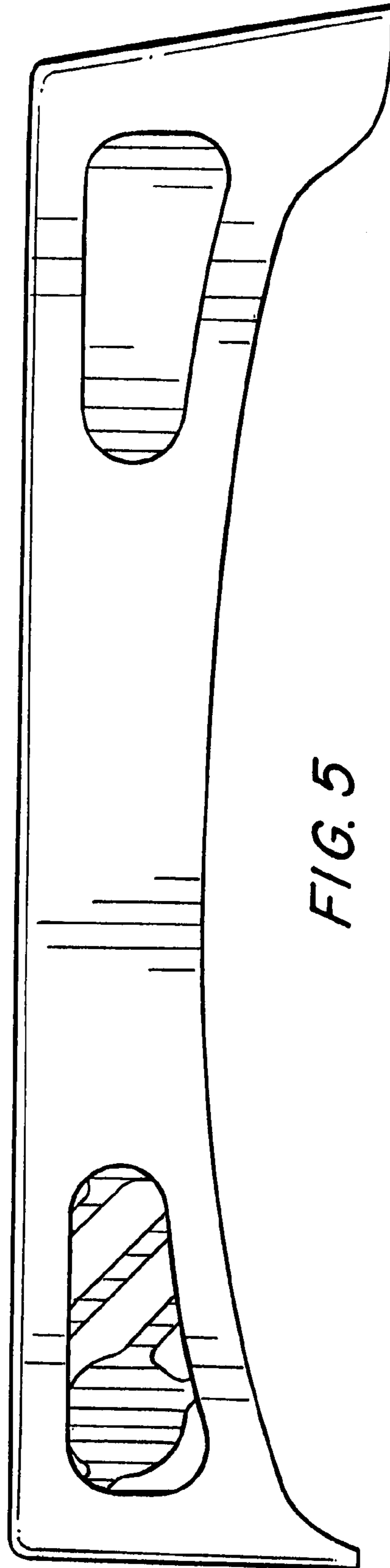


FIG. 5

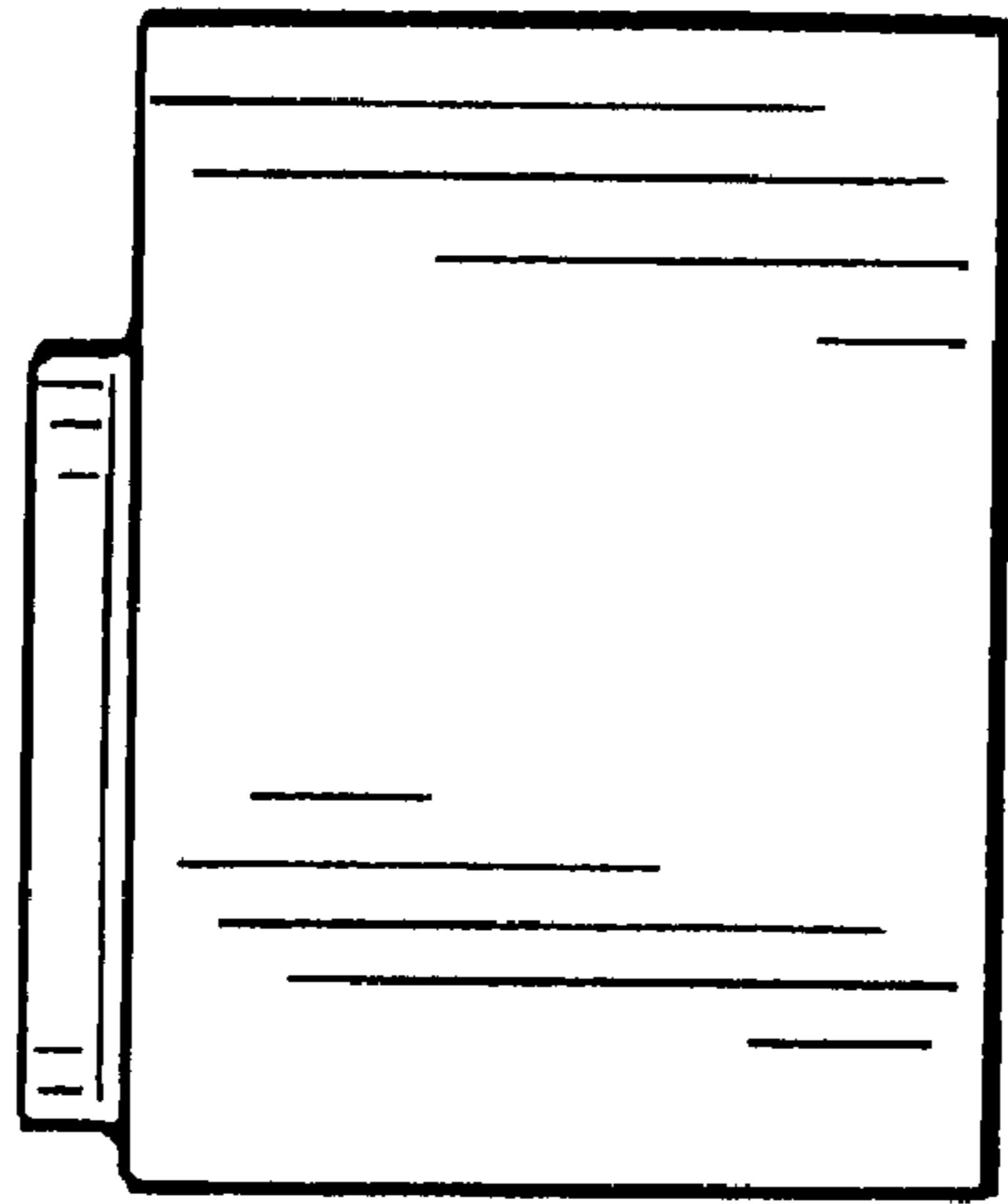


FIG. 7

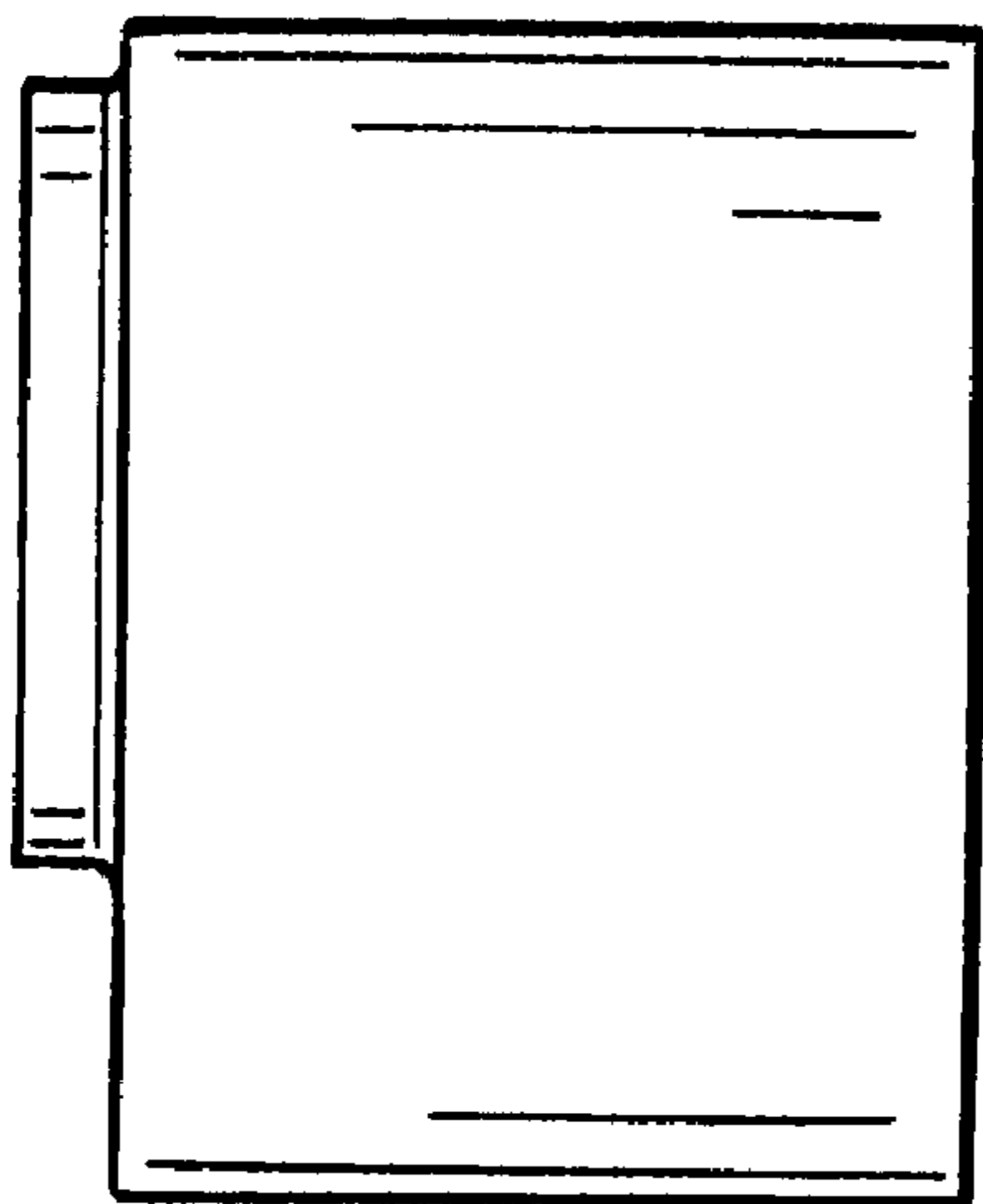


FIG. 6