



US00D560150S

(12) **United States Design Patent**
Honma et al.

(10) **Patent No.:** **US D560,150 S**
(45) **Date of Patent:** **** Jan. 22, 2008**

(54) **INSTRUMENT PANEL FOR AUTOMOBILES**

(75) Inventors: **Yoshiki Honma**, Wako (JP); **Jose Wyszogrod**, Torrance, CA (US)

(73) Assignee: **Honda Motor Co., Ltd.**, Tokyo (JP)

(**) Term: **14 Years**

(21) Appl. No.: **29/276,351**

(22) Filed: **Jan. 23, 2007**

(30) **Foreign Application Priority Data**

Jul. 24, 2006 (JP) 2006-019371

(51) **LOC (8) Cl.** **12-16**

(52) **U.S. Cl.** **D12/192**

(58) **Field of Classification Search** D12/192;
180/90; 280/750-752; 296/190.01-190.09,
296/70; D15/17, 28; D10/46, 98, 102-103;
362/482, 489; 73/431, 866.3

See application file for complete search history.

(56) **References Cited**

U.S. PATENT DOCUMENTS

D449,263	S	*	10/2001	Yamazaki et al.	D12/192
D470,809	S	*	2/2003	Asahi et al.	D12/192
D489,660	S	*	5/2004	Okumura et al.	D12/192
D492,632	S	*	7/2004	Pfeiffer	D12/192
D493,756	S	*	8/2004	Yamamoto et al.	D12/192
D494,908	S	*	8/2004	Pfeiffer	D12/192
D499,998	S	*	12/2004	Tanaka et al.	D12/192

D504,369	S	*	4/2005	Pfeiffer	D12/192
D512,357	S	*	12/2005	Schuttera	D12/192
D514,490	S	*	2/2006	Pfeiffer et al.	D12/192
D519,894	S	*	5/2006	Asahi et al.	D12/192
D530,249	S	*	10/2006	Norman et al.	D12/192
D534,467	S	*	1/2007	Pfeiffer	D12/192

* cited by examiner

Primary Examiner—Stacia Cadmus

(74) *Attorney, Agent, or Firm*—Westerman, Hattori, Daniels & Adrian, LLP.

(57) **CLAIM**

The ornamental design for an instrument panel for automobiles, as shown and described.

DESCRIPTION

FIG. 1 is a front view of the instrumental panel;
FIG. 2 is a plan view of the instrumental panel;
FIG. 3 is a bottom view of the instrumental panel;
FIG. 4 is a right side view of the instrumental panel;
FIG. 5 is a left side view of the instrumental panel;
FIG. 6 is a perspective view of the instrumental panel as seen from the right front side; and,
FIG. 7 is a perspective view of the instrumental panel as seen from the left front side.

The broken lines are for illustrative purposes only and form no part of the claimed design.

1 Claim, 4 Drawing Sheets

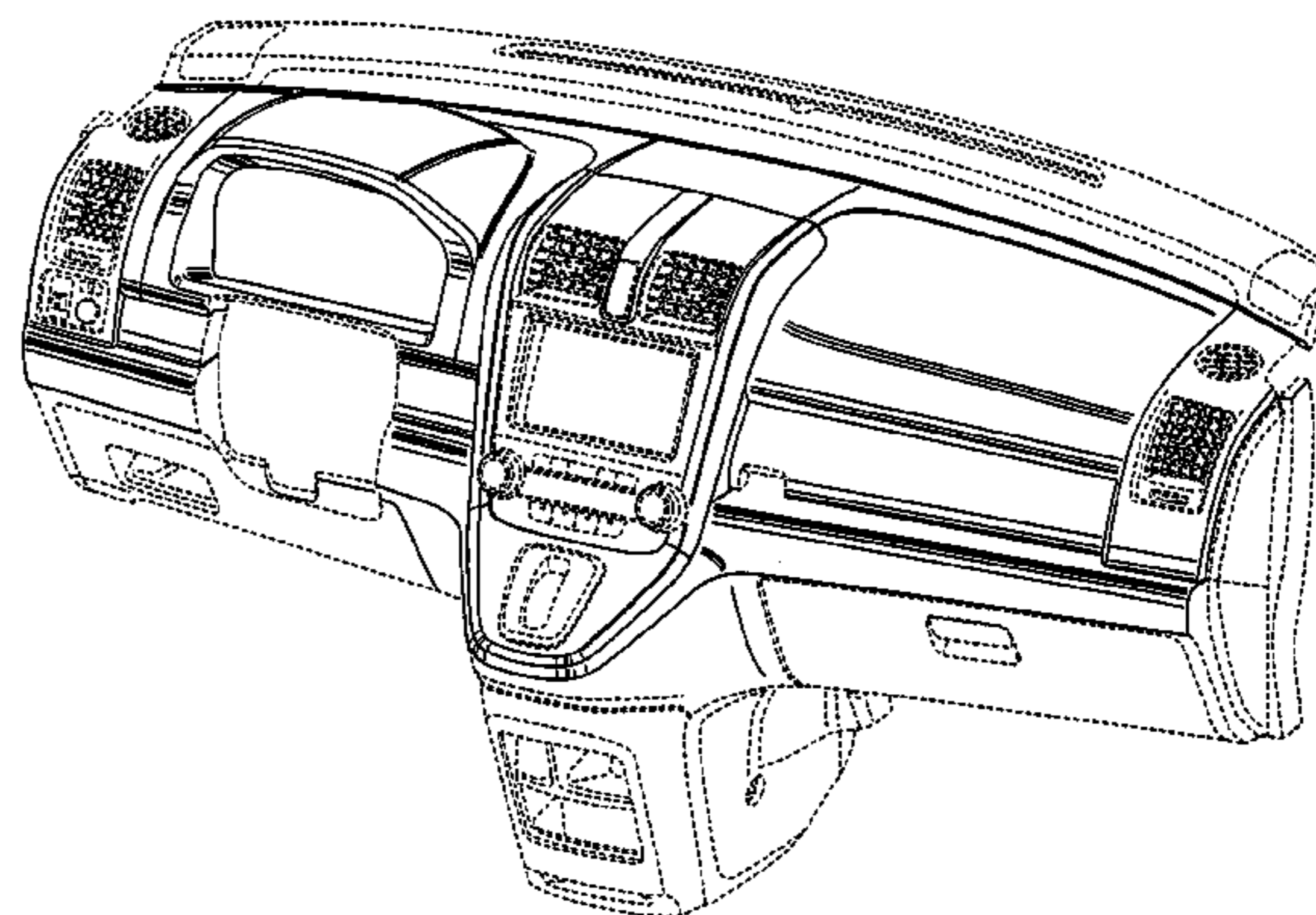
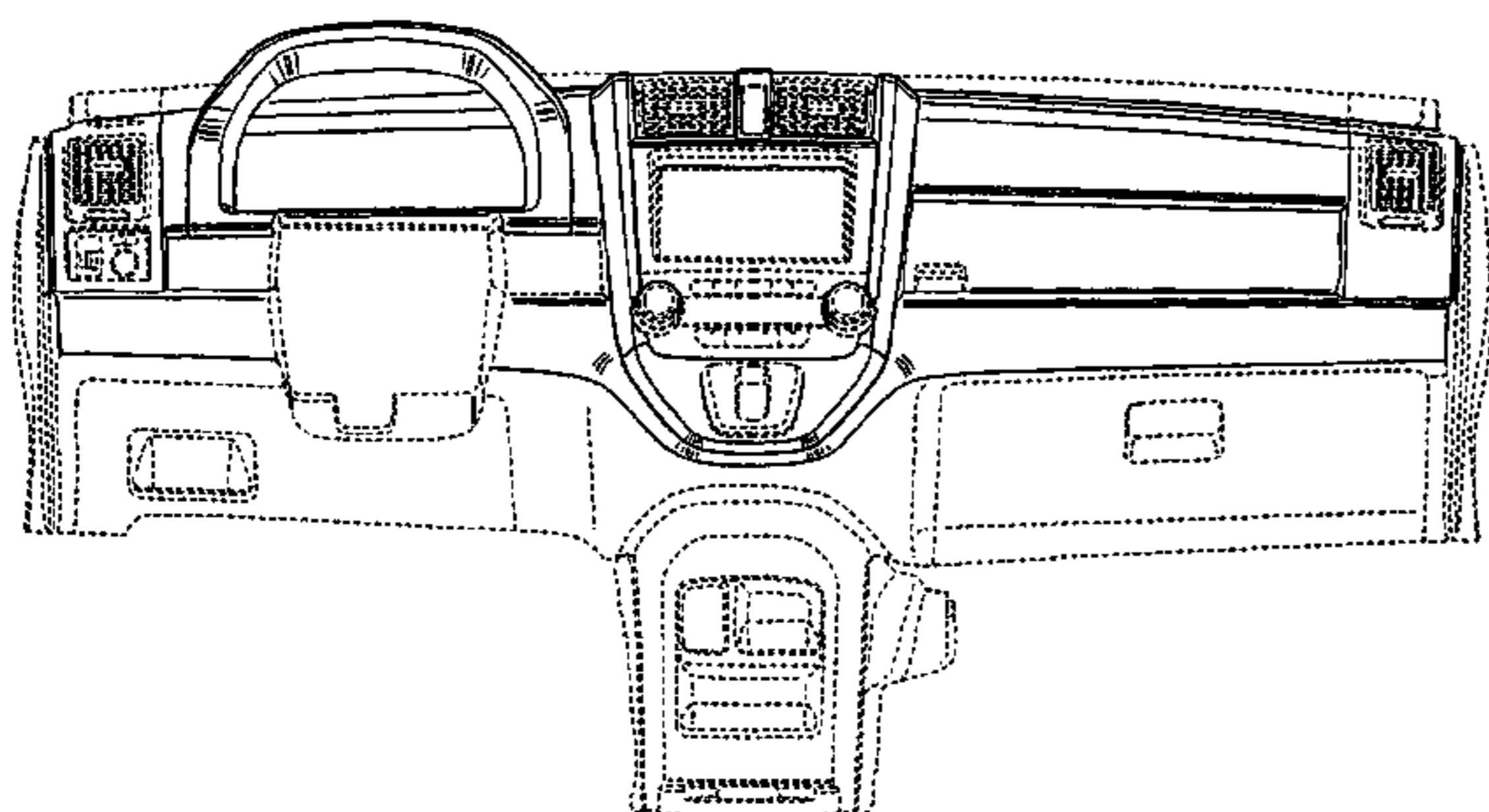


FIG.1

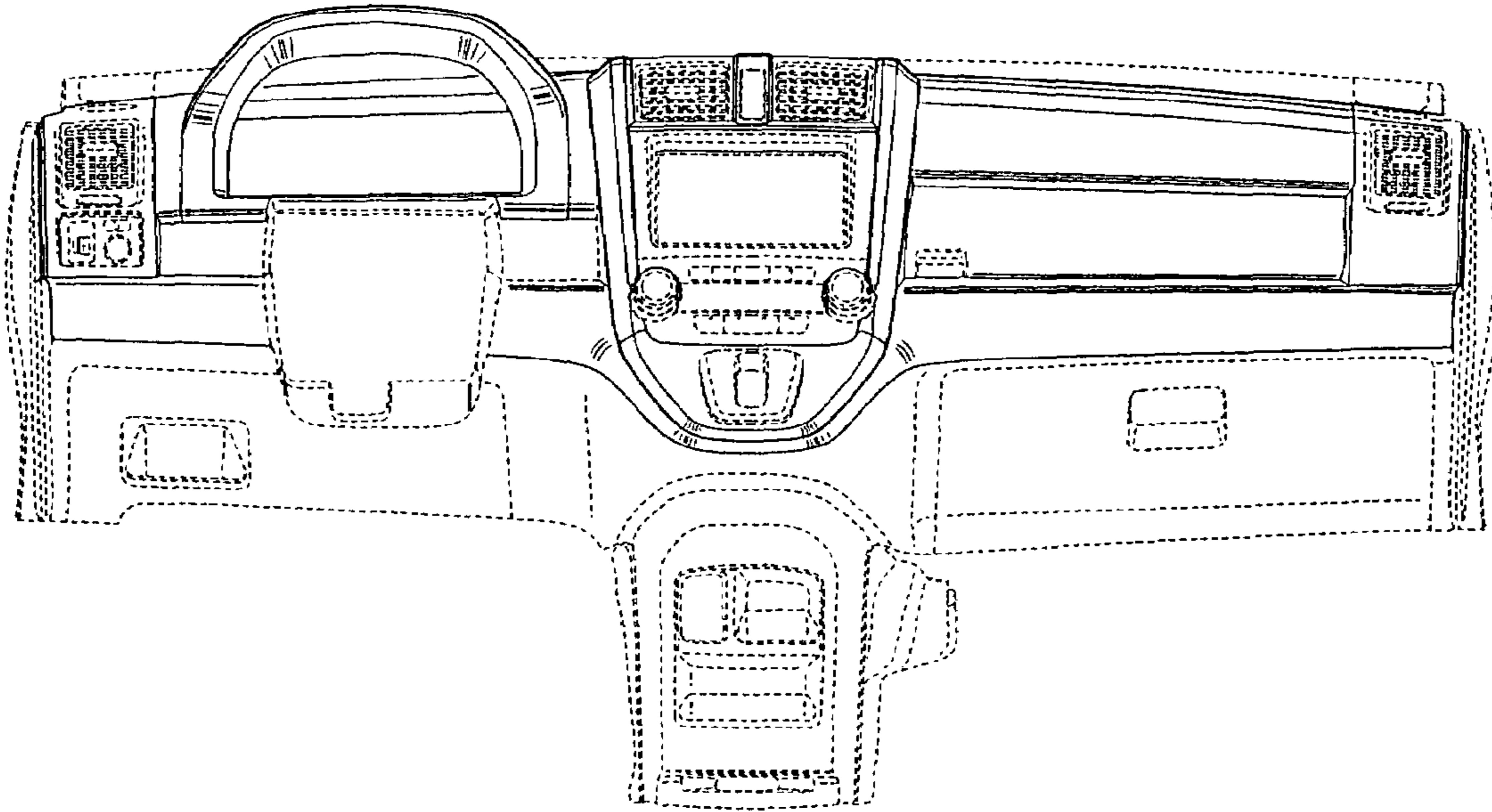


FIG.2

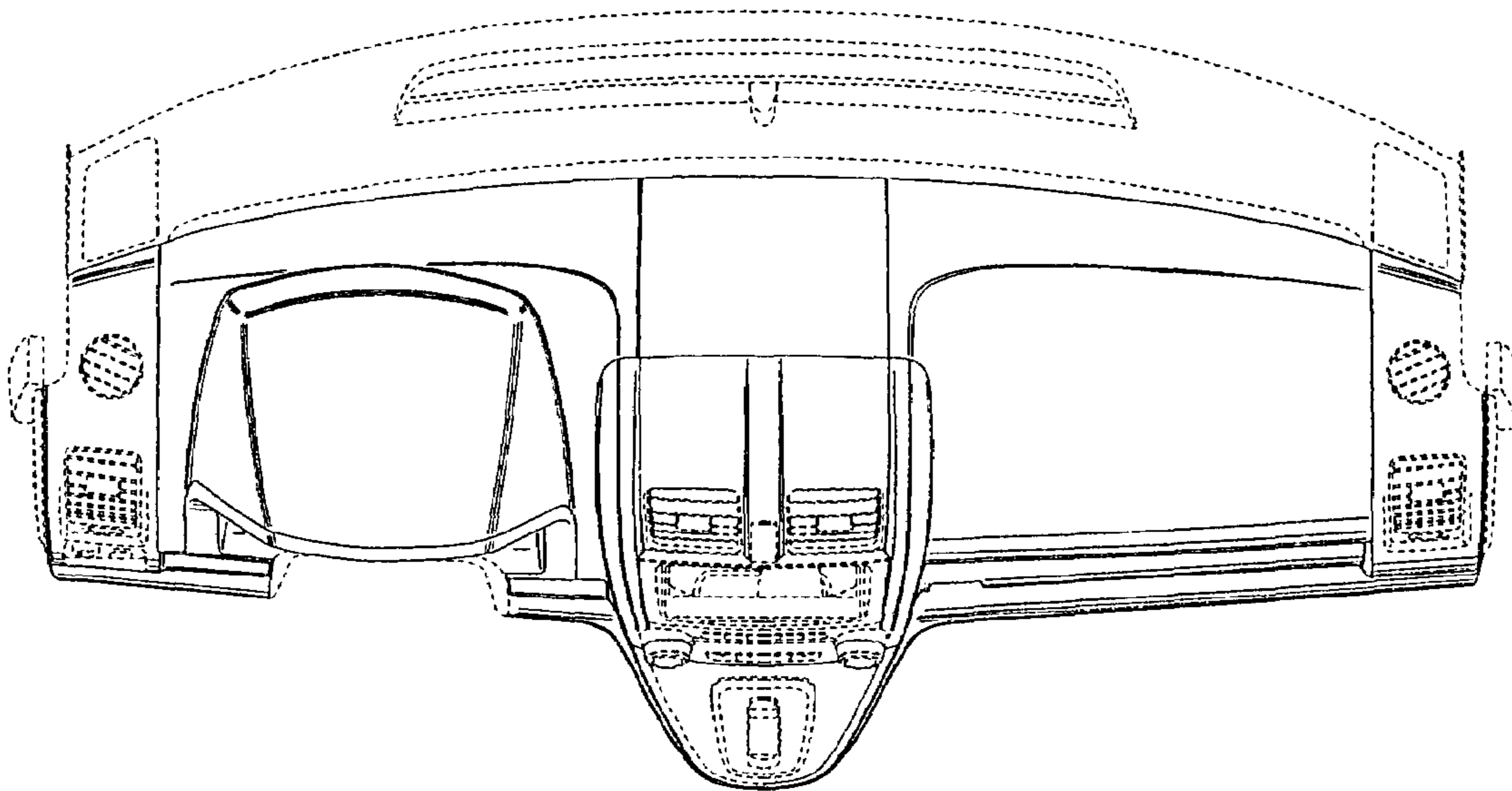


FIG.3

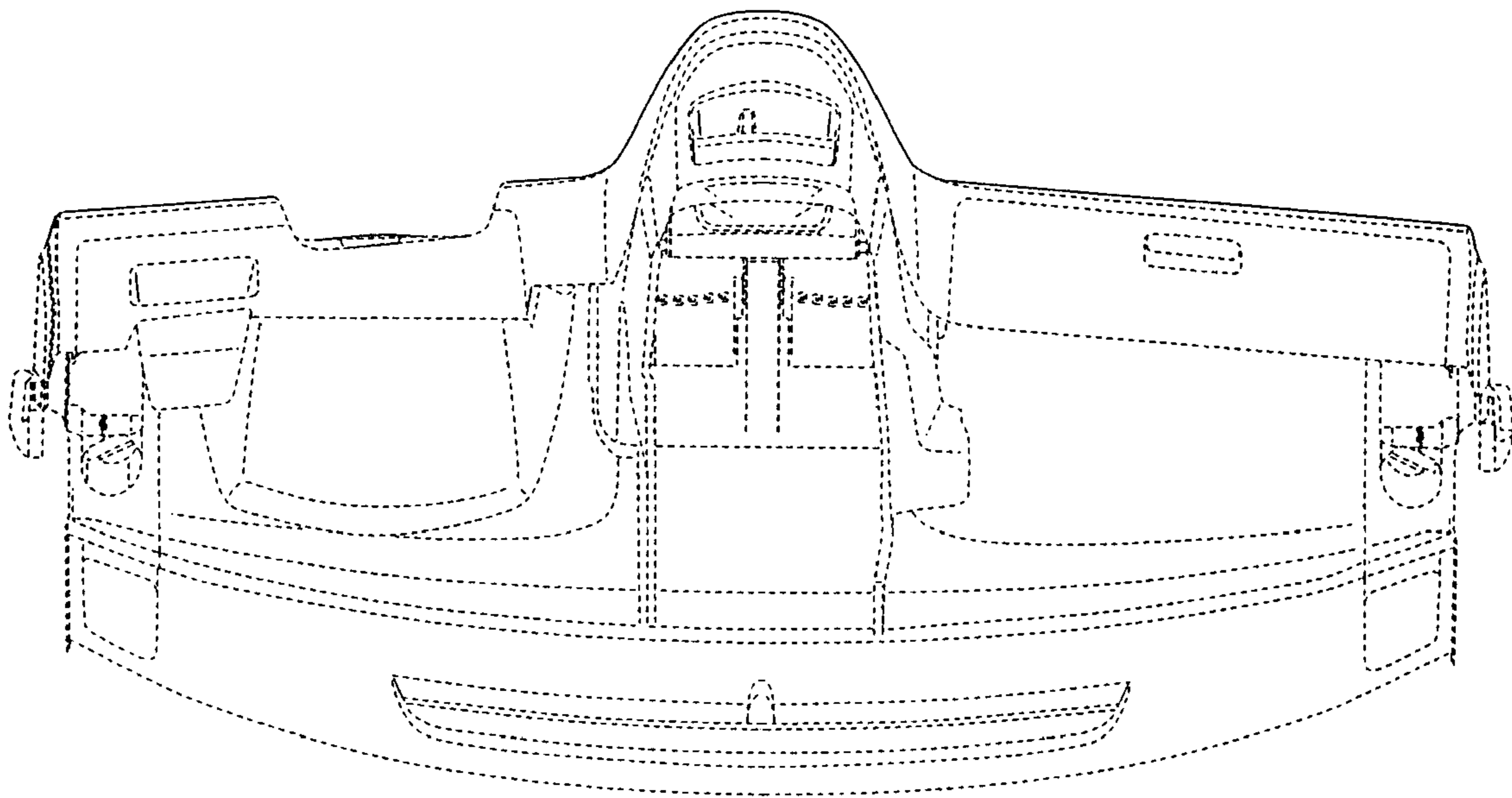


FIG.4

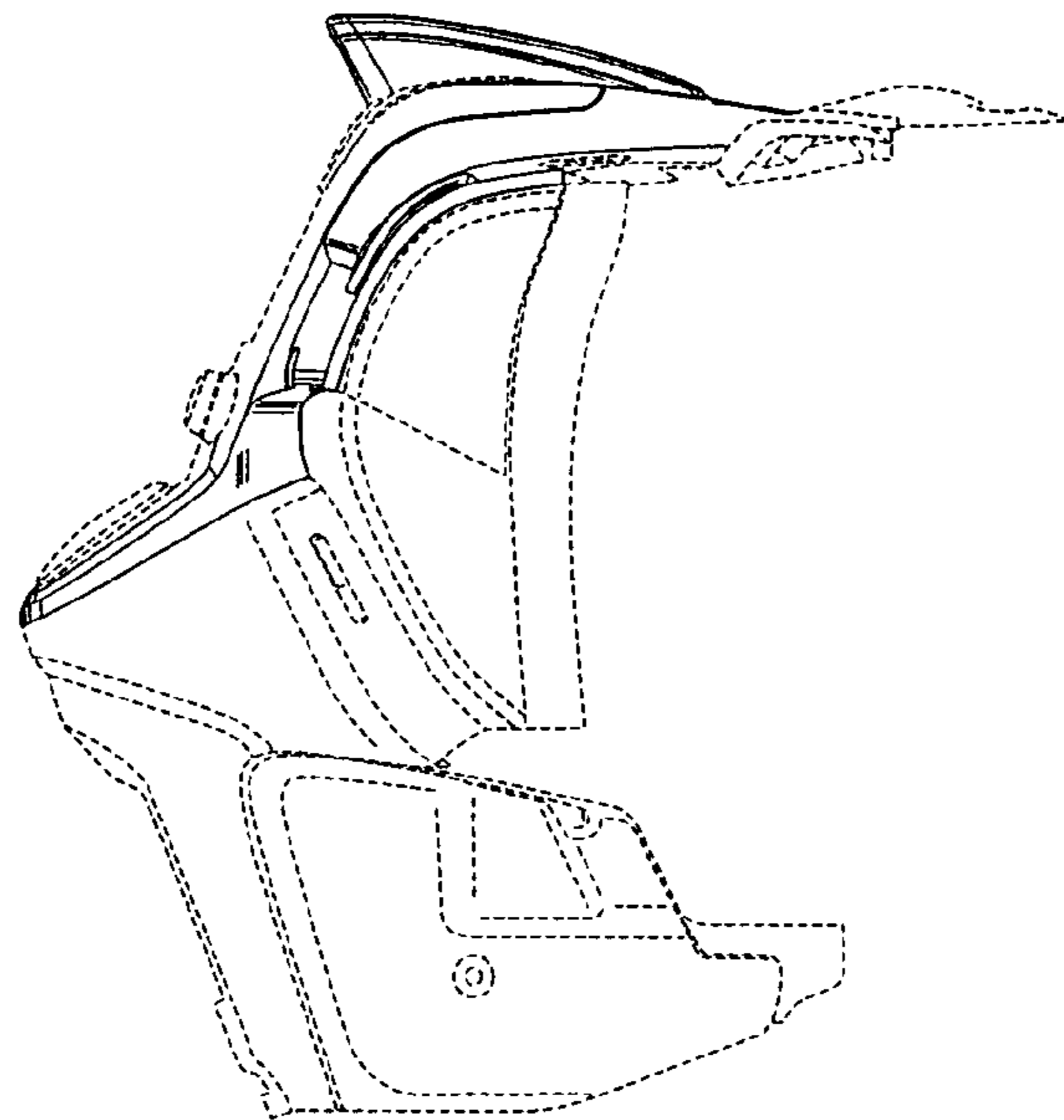


FIG.5

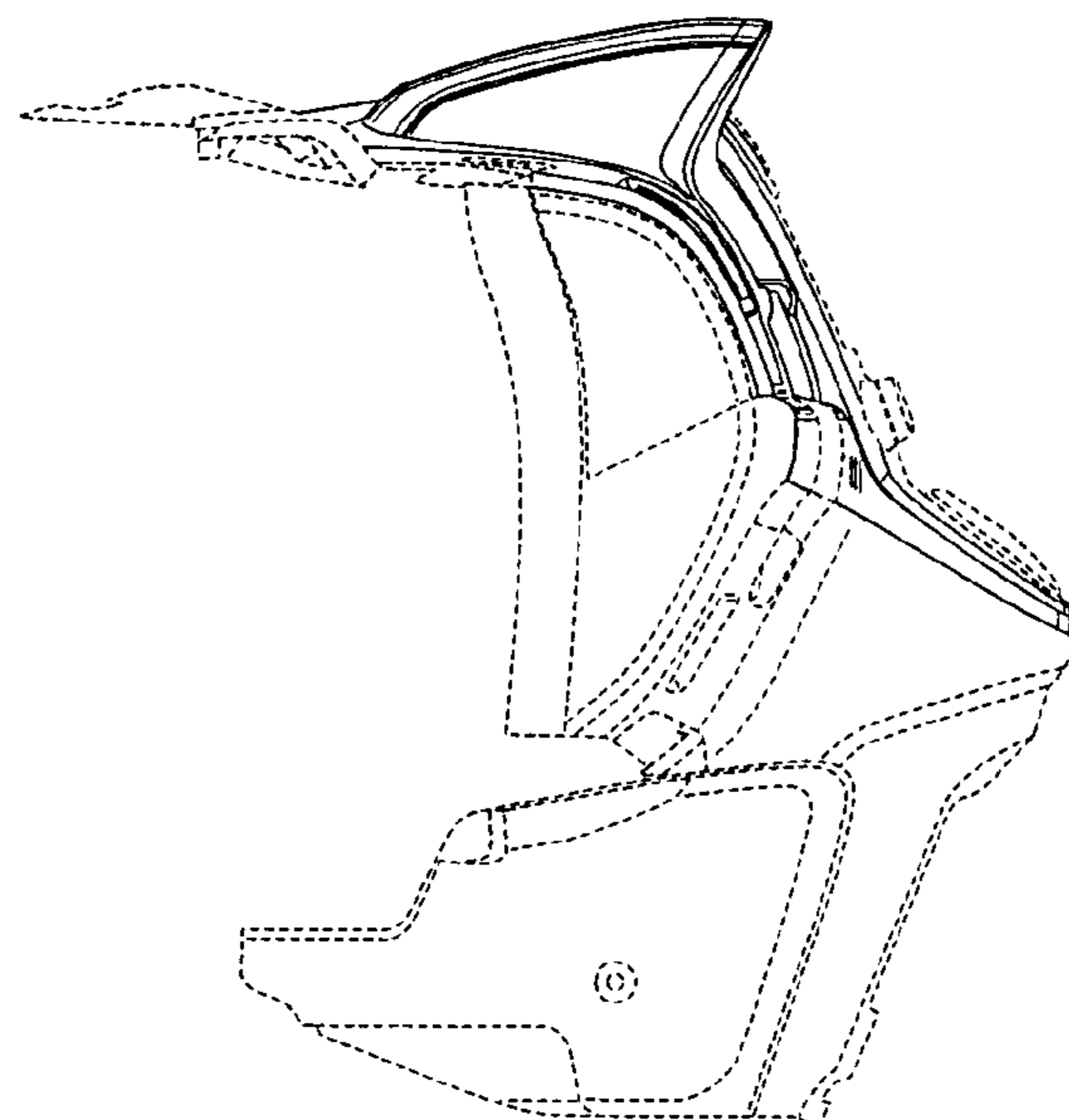


FIG.6

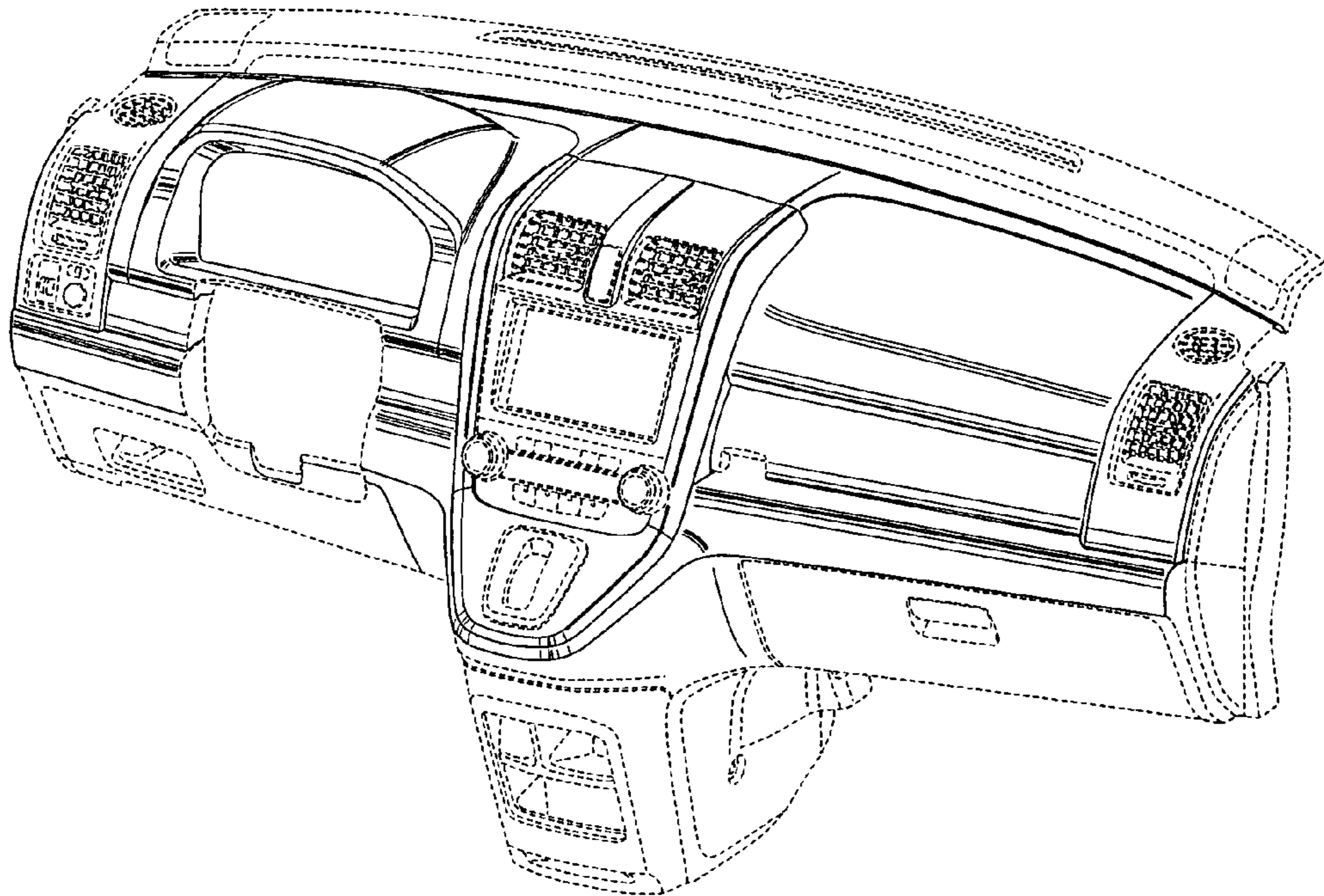


FIG.7

