

US00D560148S

(12) **United States Design Patent**
Leclercq

(10) **Patent No.:** **US D560,148 S**
(45) **Date of Patent:** **** Jan. 22, 2008**

(54) **SURFACE CONFIGURATION OF A FRONT FENDER FOR A VEHICLE**

(74) *Attorney, Agent, or Firm*—Crowell & Moring LLP

(75) Inventor: **Pierre Leclercq**, Munich (DE)

(57) **CLAIM**

(73) Assignee: **Bayerische Motoren Werke Aktiengesellschaft**, Munich (DE)

The ornamental design for a surface configuration of a front fender for a vehicle, as shown and described.

(**) Term: **14 Years**

DESCRIPTION

(21) Appl. No.: **29/270,221**

(22) Filed: **Dec. 19, 2006**

(30) **Foreign Application Priority Data**

Jun. 20, 2006 (DE) 4 06 03 285

This application is related to the following co-pending application, of the inventor, filed on even date herewith:

Application Ser. No. 29/270,222, entitled “Surface Configuration of a Vehicle, Toy, and/or Other Replicas”.

(51) **LOC (8) Cl.** **12-16**

(52) **U.S. Cl.** **D12/184; D12/196**

(58) **Field of Classification Search** D12/184,
D12/196, 90–92; 280/152.1, 847–849, 851;
296/181.1, 181.5

FIG. 1 is a front perspective view a first embodiment of a surface configuration of a front fender for a vehicle according to my novel design;

FIG. 2 is a rear perspective view thereof;

FIG. 3 is a side view thereof; and

FIG. 4 is a front view thereof.

See application file for complete search history.

FIG. 5 is a front perspective view a second embodiment of the surface configuration of a front fender for a vehicle according to my novel design;

FIG. 6 is a rear perspective view of FIG. 5;

FIG. 7 is a side view of FIG. 5; and,

FIG. 8 is a front view of FIG. 5.

(56) **References Cited**

U.S. PATENT DOCUMENTS

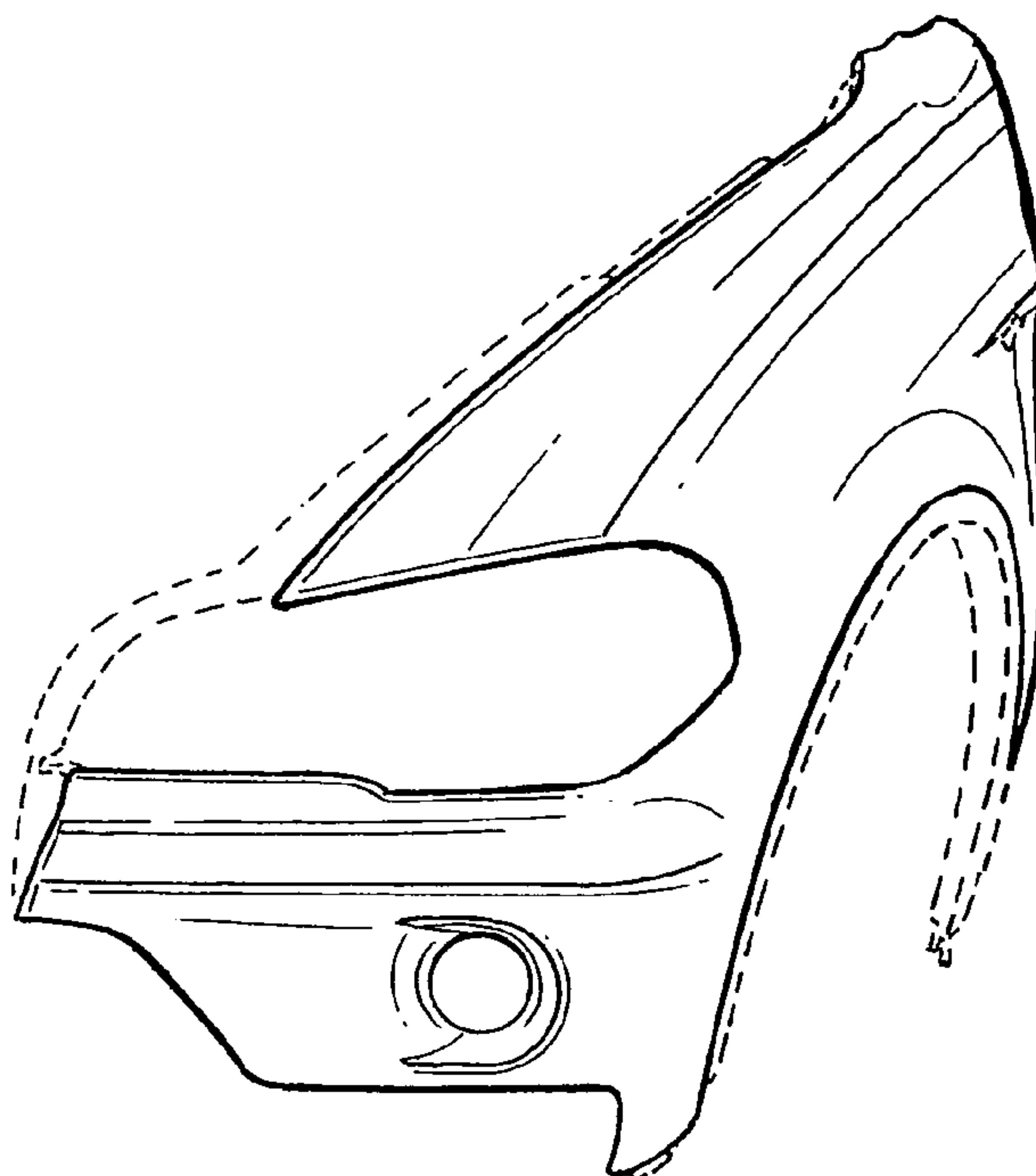
D511,486 S * 11/2005 Nagashima D12/196
D536,648 S * 2/2007 Fujimaki D12/184
D542,200 S * 5/2007 Levy D12/196
D545,254 S * 6/2007 Angelo et al. D12/184

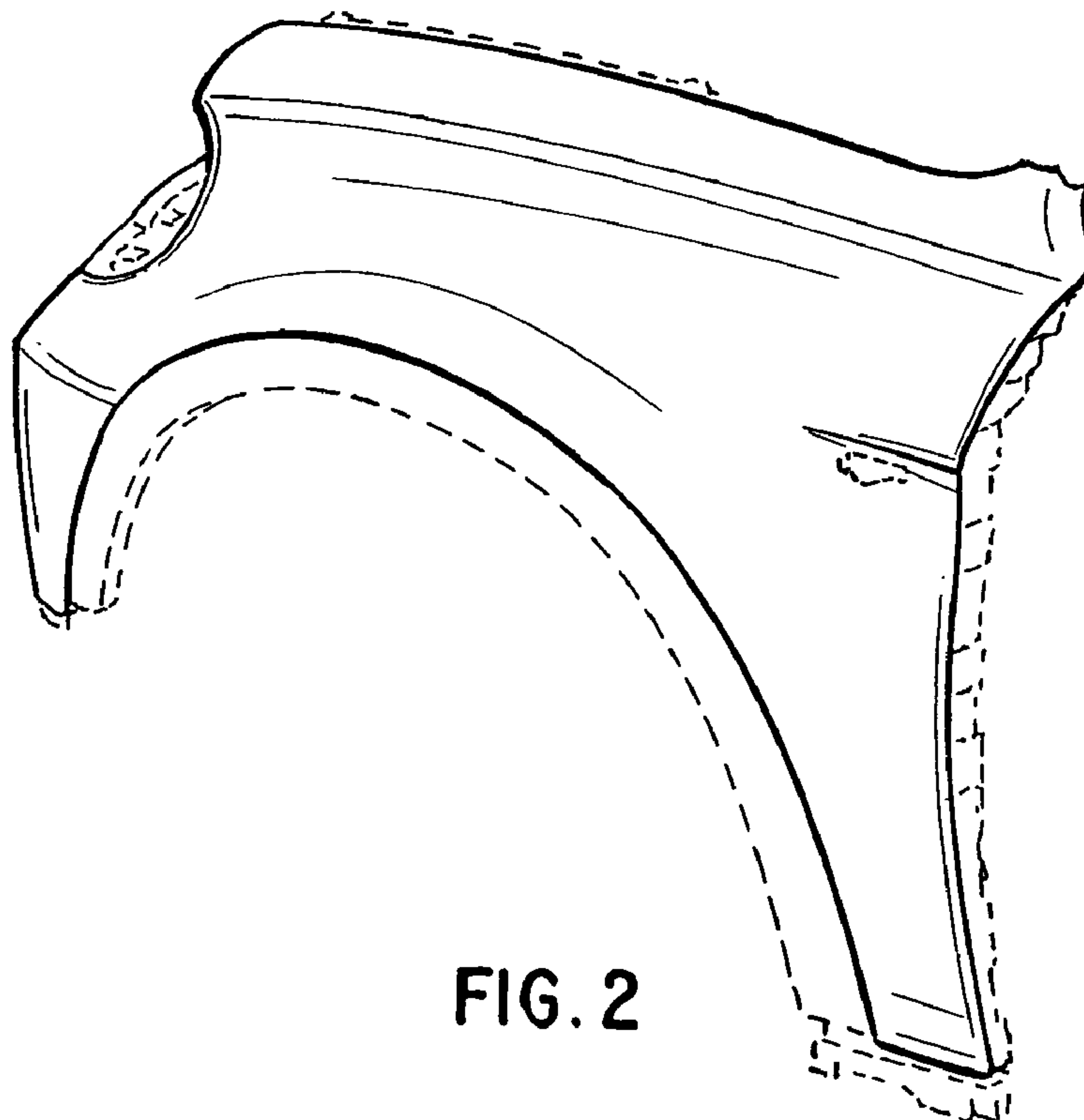
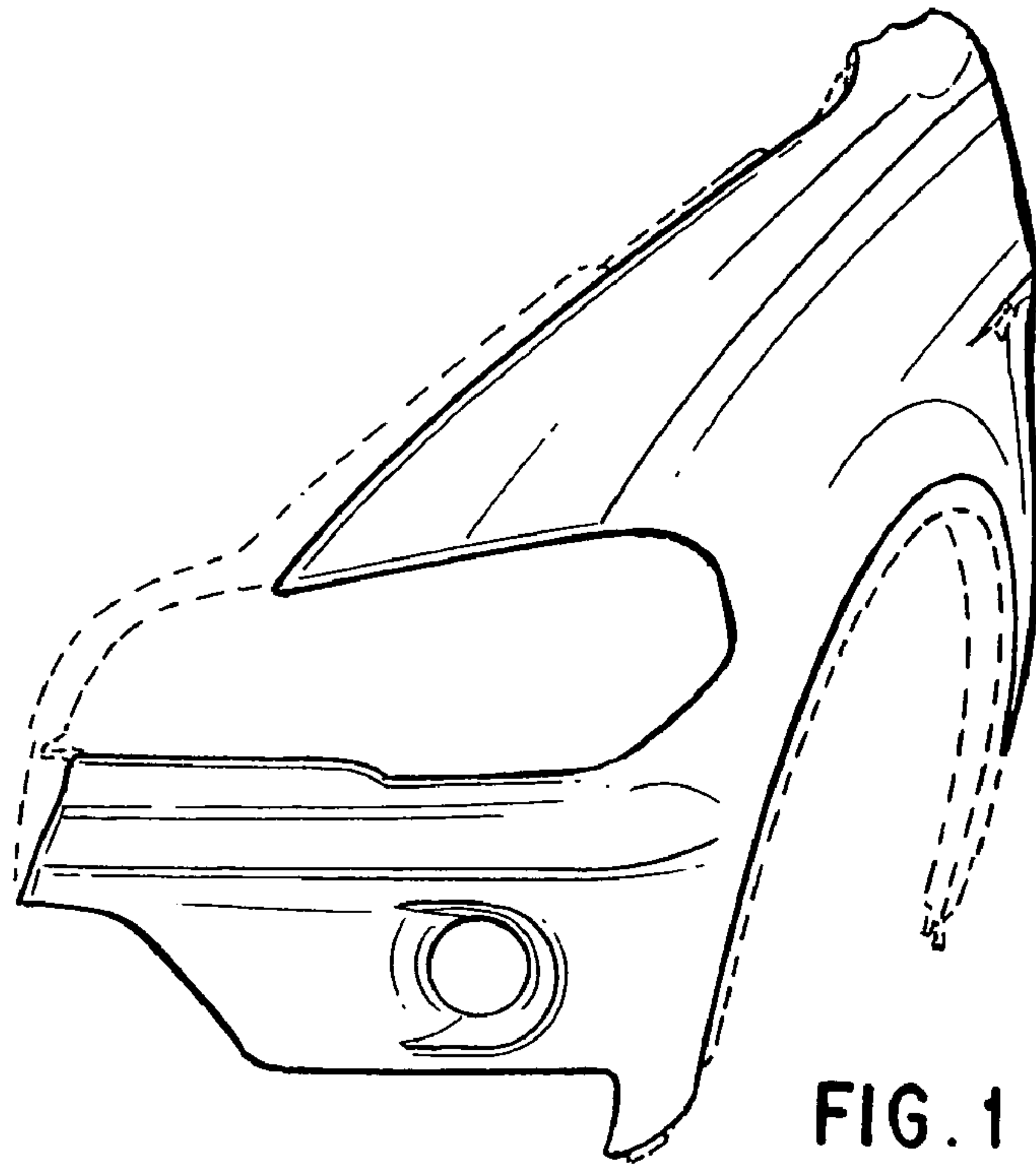
The broken lines are for illustrative purposes only and form no part of the claimed design.

* cited by examiner

Primary Examiner—Melody N. Brown

1 Claim, 4 Drawing Sheets





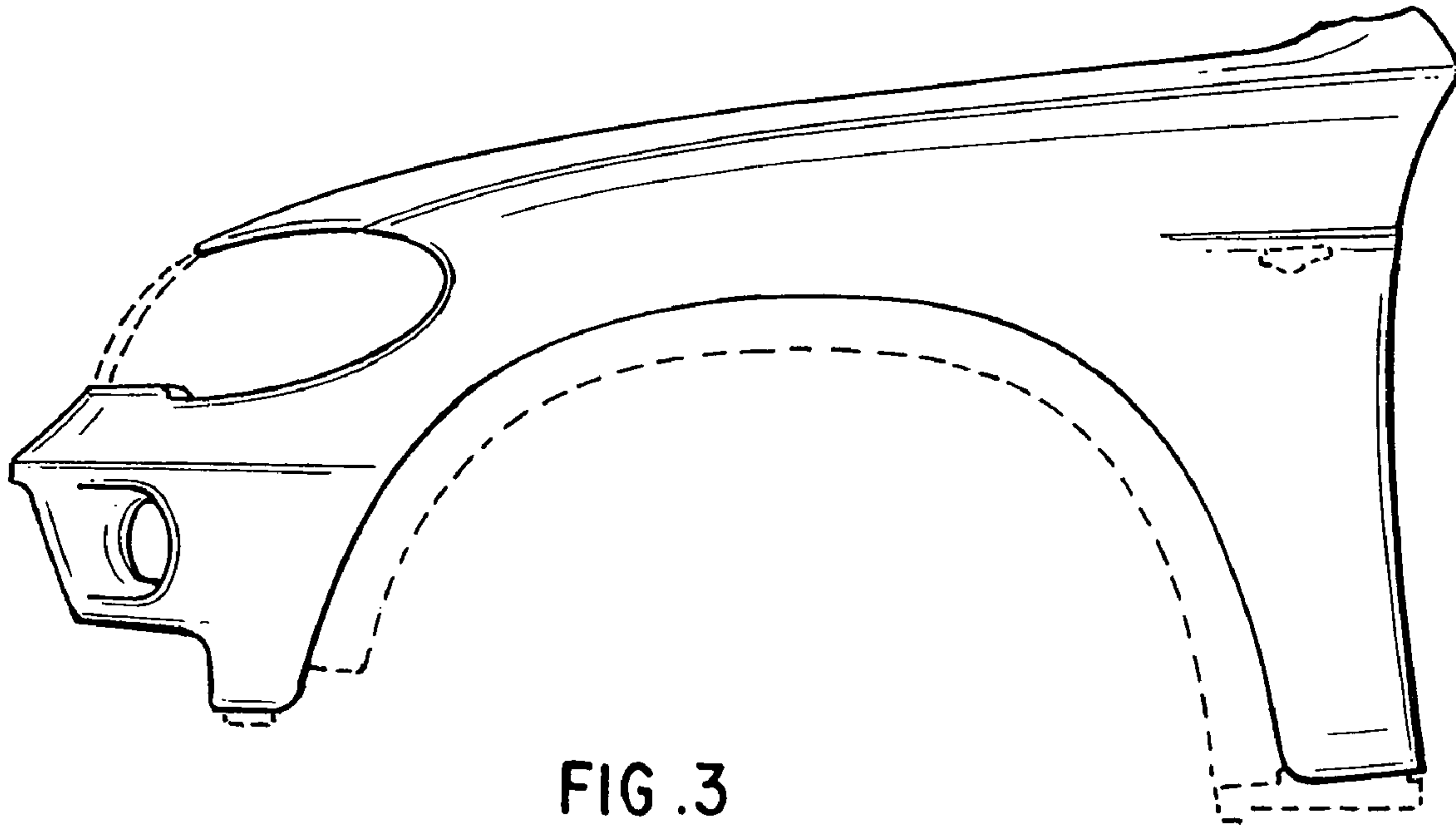


FIG. 3

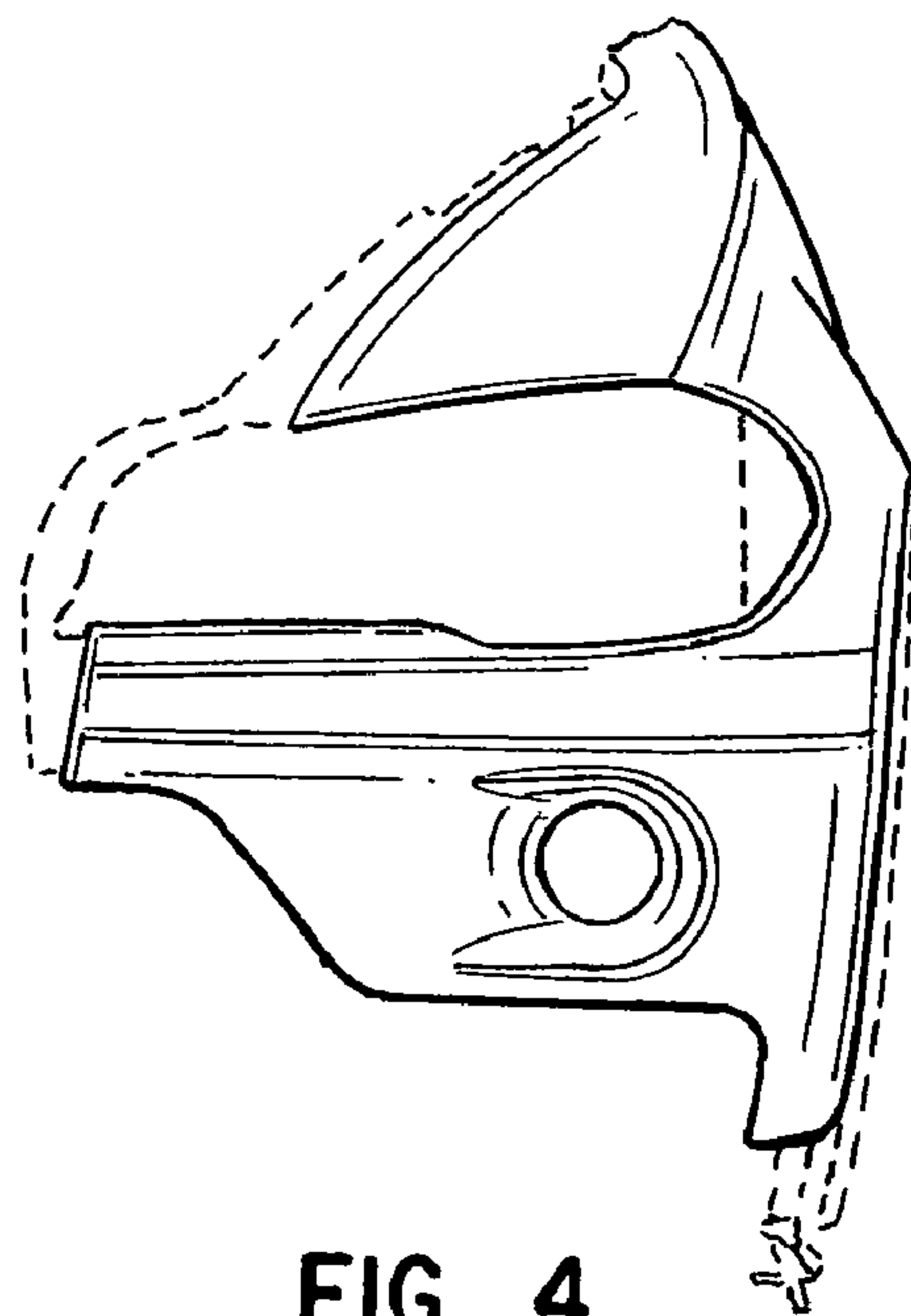


FIG. 4

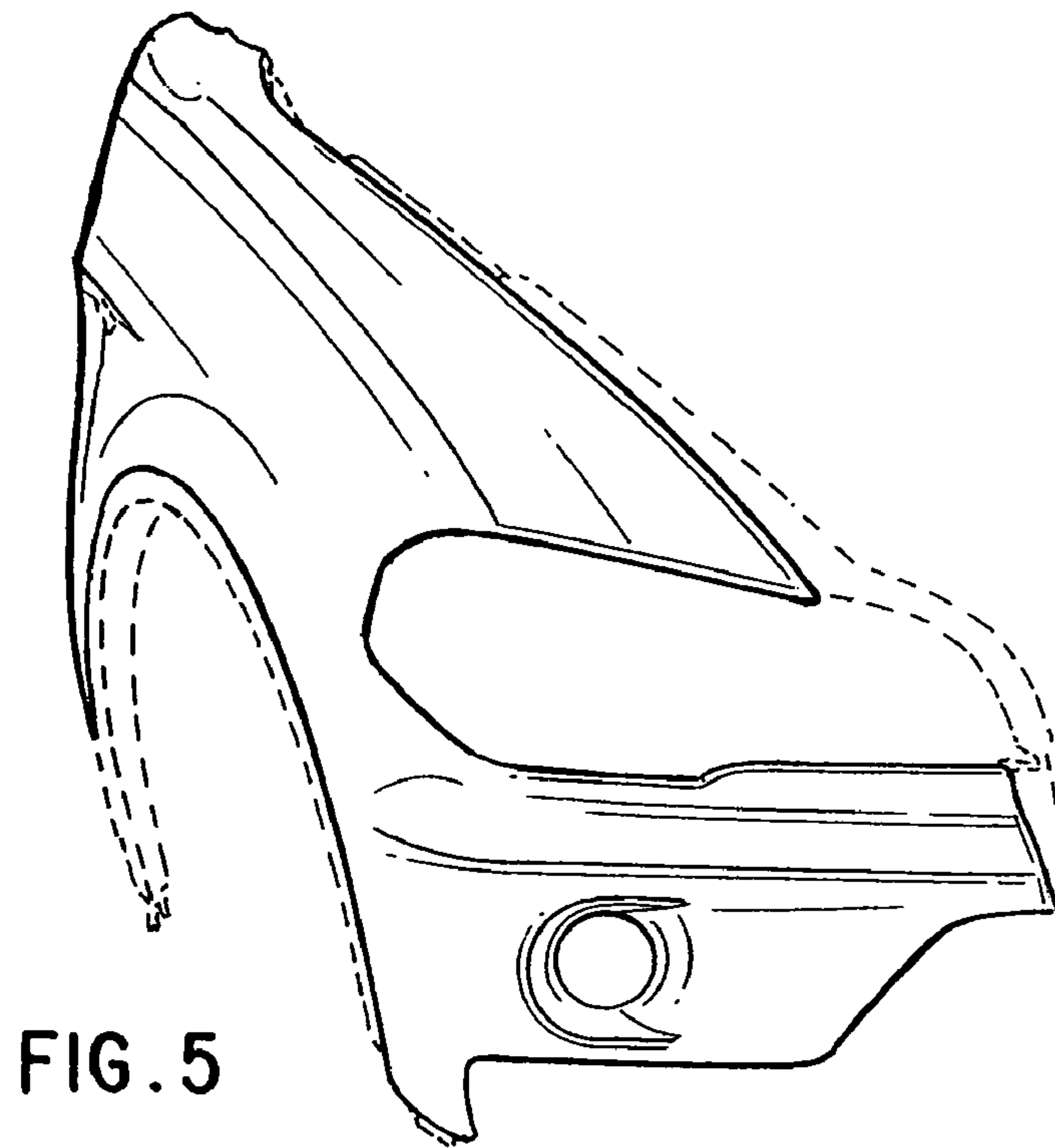


FIG. 5

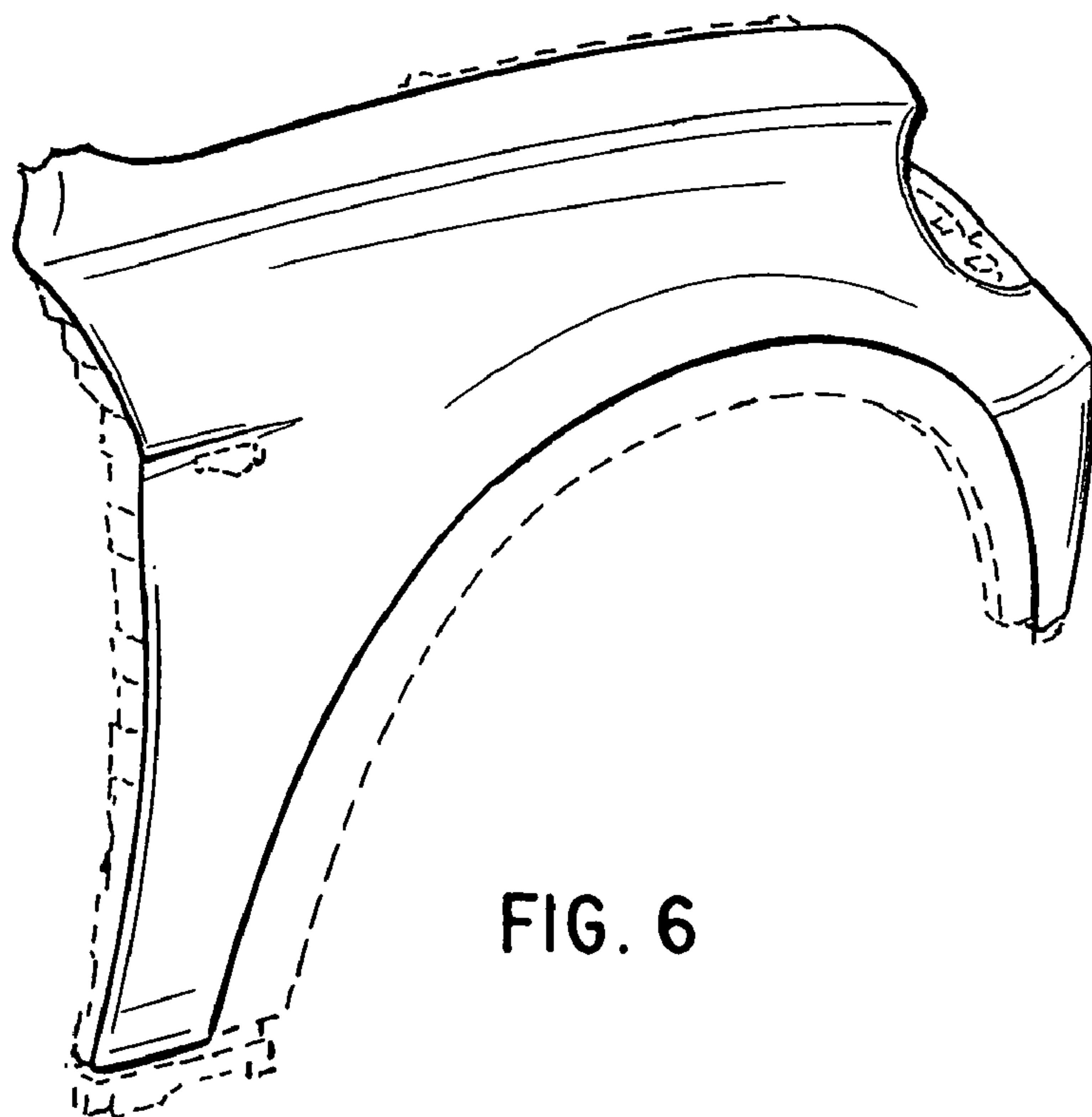


FIG. 6

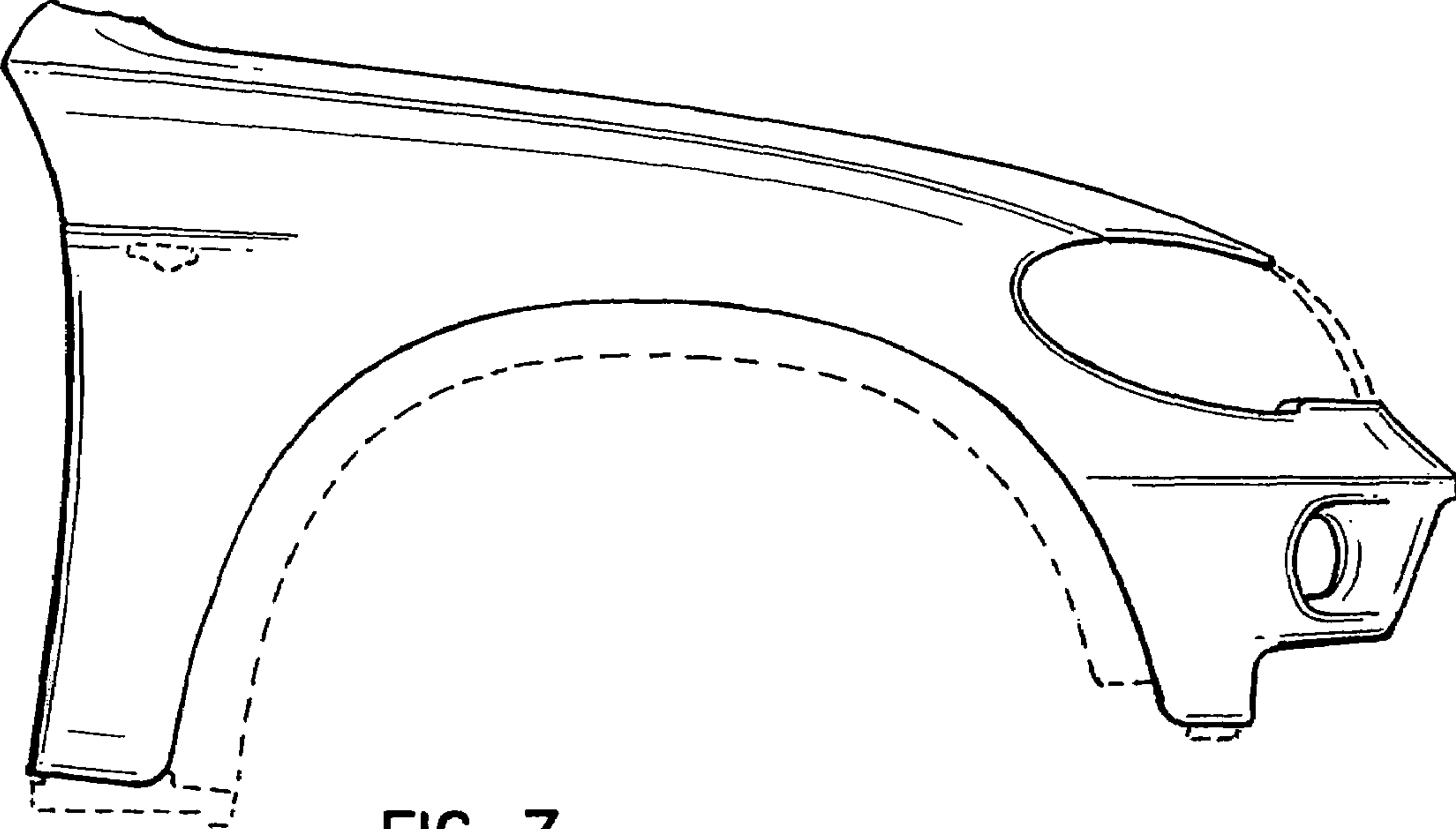


FIG. 7

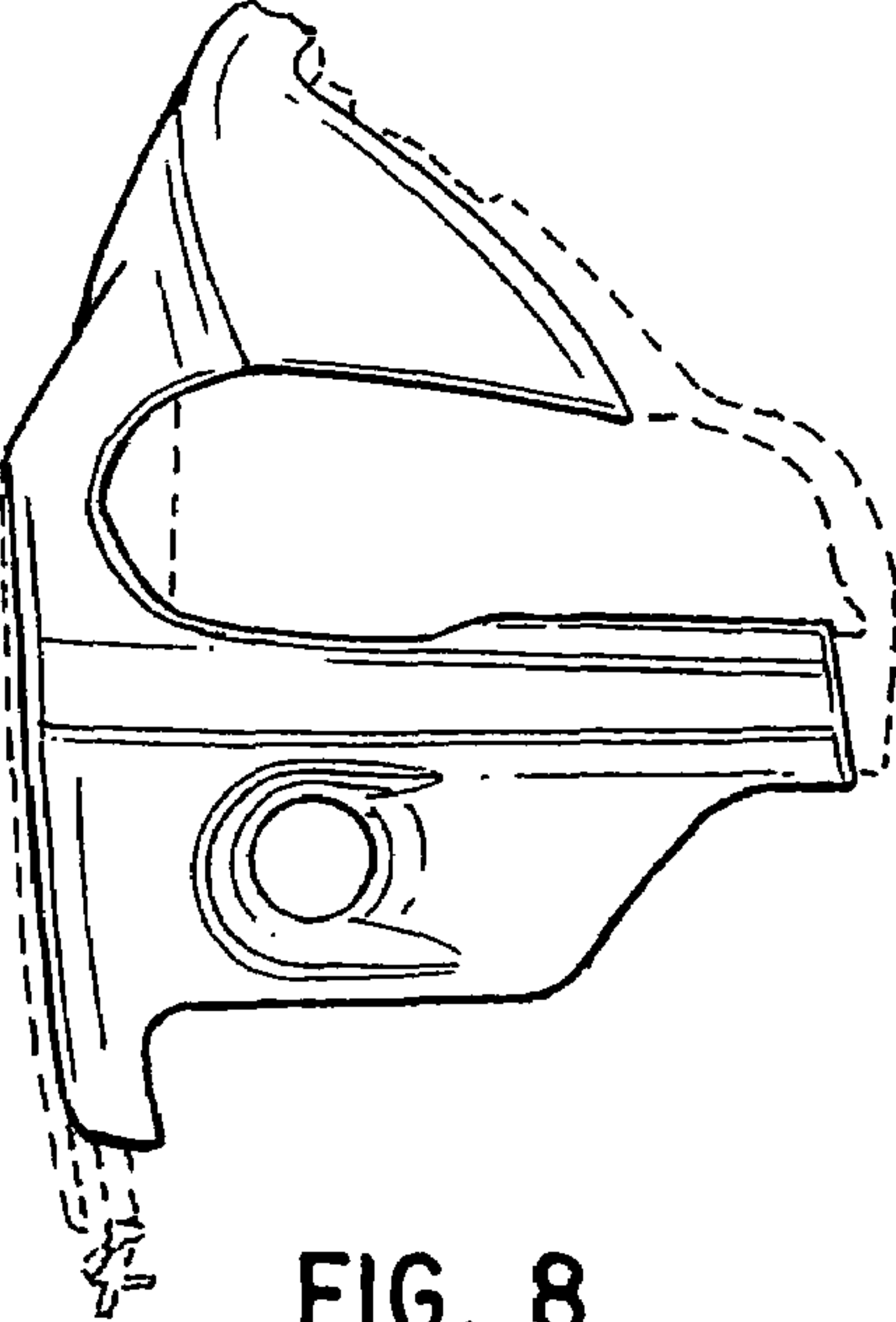


FIG. 8