

US00D560145S

(12) **United States Design Patent**  
**Tant et al.**

(10) **Patent No.:** **US D560,145 S**  
(45) **Date of Patent:** **\*\* Jan. 22, 2008**

(54) **VEHICLE FRONT UPPER BUMPER COVER**

(57) **CLAIM**

(75) Inventors: **Sean W Tant**, Livonia, MI (US);  
**George Bucher**, Dearborn, MI (US);  
**Jeff Sanders**, Allen Park, MI (US);  
**Michael Smith**, Plymouth, MI (US)

The ornamental design for a vehicle front upper bumper cover, as shown and described.

(73) Assignee: **Ford Global Technologies, LLC**,  
Dearborn, MI (US)

**DESCRIPTION**

(\*\*) Term: **14 Years**

FIG. 1 is a front elevational view of a vehicle front upper bumper cover showing our new design;

(21) Appl. No.: **29/250,654**

FIG. 2 is an enlarged right side elevational view thereof;

(22) Filed: **Nov. 27, 2006**

FIG. 3 is an enlarged left side elevational view thereof;

(51) **LOC (8) Cl.** ..... **12-16**

FIG. 4 is a top plan view thereof;

(52) **U.S. Cl.** ..... **D12/169**

FIG. 5 is a bottom plan view thereof;

(58) **Field of Classification Search** ..... D12/90-92,  
D12/86, 169, 196, 163; 296/193.1, 181.1;  
293/102, 113, 115, 117, 120

FIG. 6 is a cross sectional view taken along the line 6—6 in FIG. 1; and,

See application file for complete search history.

FIG. 7 is a rear elevational view thereof.

(56) **References Cited**

The vehicle front upper bumper cover is styled independently of adjacent vehicle panels. To the extent that any feature lines are illustrated, they are intended to illustrate the crest and valley of the feature and are not necessarily sharp bends in the part. Shading is used to illustrate the curvature of the part and not color. Areas shown in or sounded by broken lines are not claimed. The surface normally visible when the vehicle front upper bumper cover is attached to a vehicle is called the "Class A" surface is claimed. The surface not normally visible when the vehicle front upper bumper cover is attached to a vehicle is called the "Class B" surface and is not claimed. Any functional features of the vehicle front upper bumper cover are not claimed. Views are orthogonal projections unless otherwise noted. The various views are not necessarily to scale in order to better illustrate the design.

**U.S. PATENT DOCUMENTS**

- D539,197 S \* 3/2007 Fujimaki ..... D12/169
- D540,224 S \* 4/2007 Gregory et al. .... D12/169
- D540,724 S \* 4/2007 Levy ..... D12/169
- D541,710 S \* 5/2007 Schiavone et al. .... D12/169
- D546,736 S \* 7/2007 Golden et al. .... D12/169

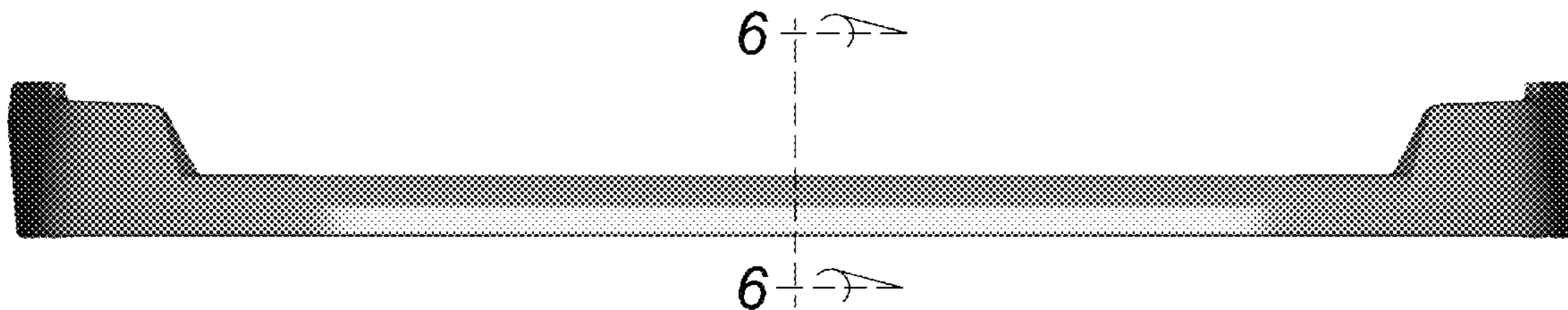
**OTHER PUBLICATIONS**

Ford F150 Lariat, Detroit 2006 (8 pages).  
Ford F150 King Ranch, Detroit 2004 (9 pages).

\* cited by examiner

*Primary Examiner*—Melody N. Brown  
(74) *Attorney, Agent, or Firm*—Damian Porcari

**1 Claim, 7 Drawing Sheets**



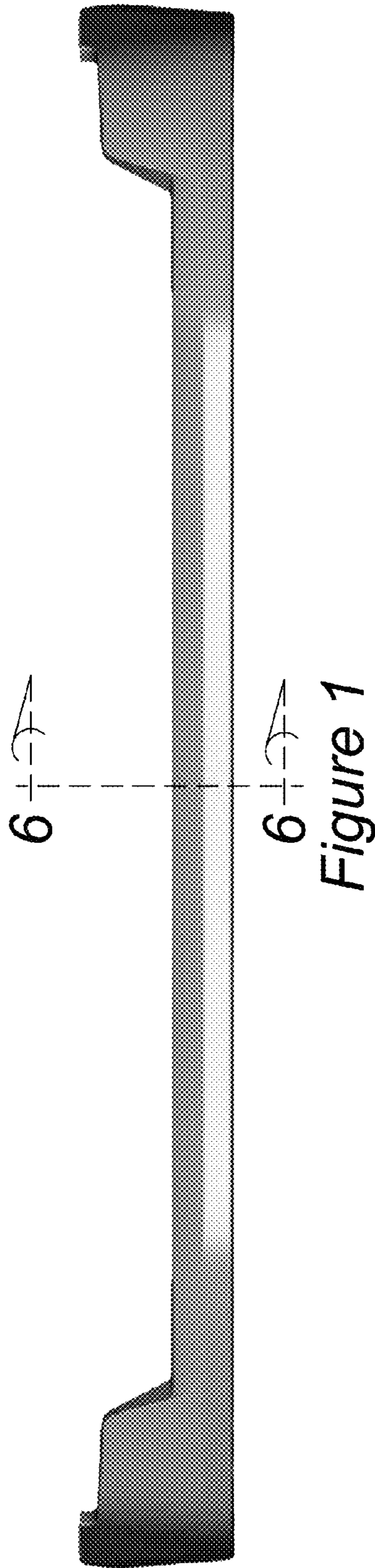


Figure 1



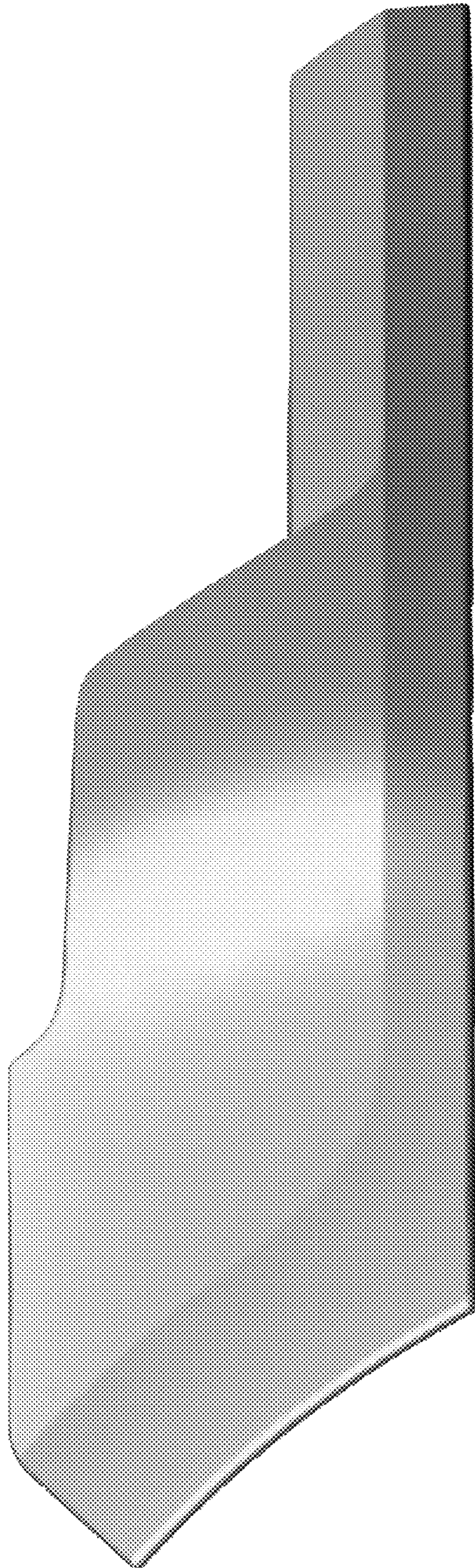


Figure 2



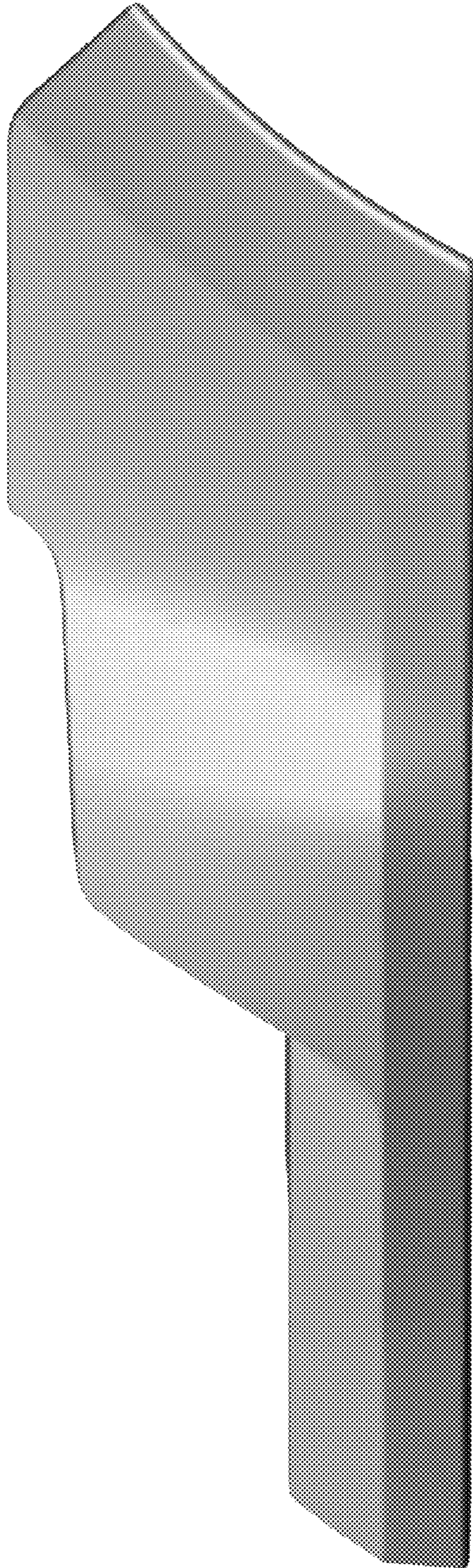


Figure 3

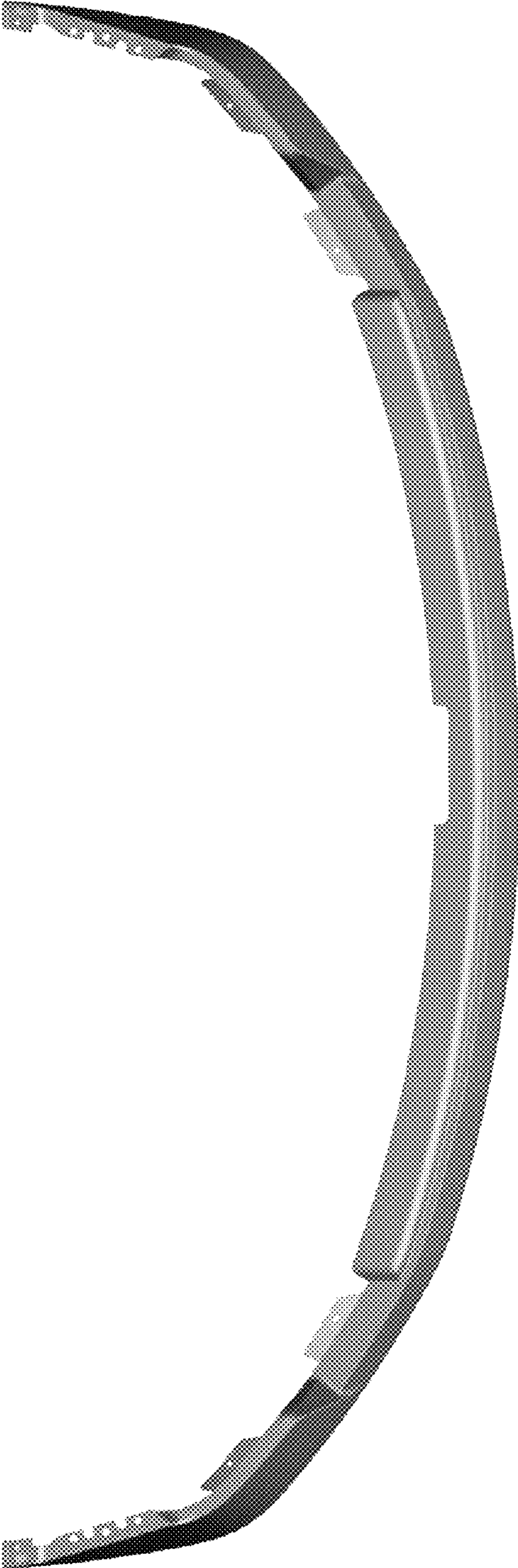


Figure 4



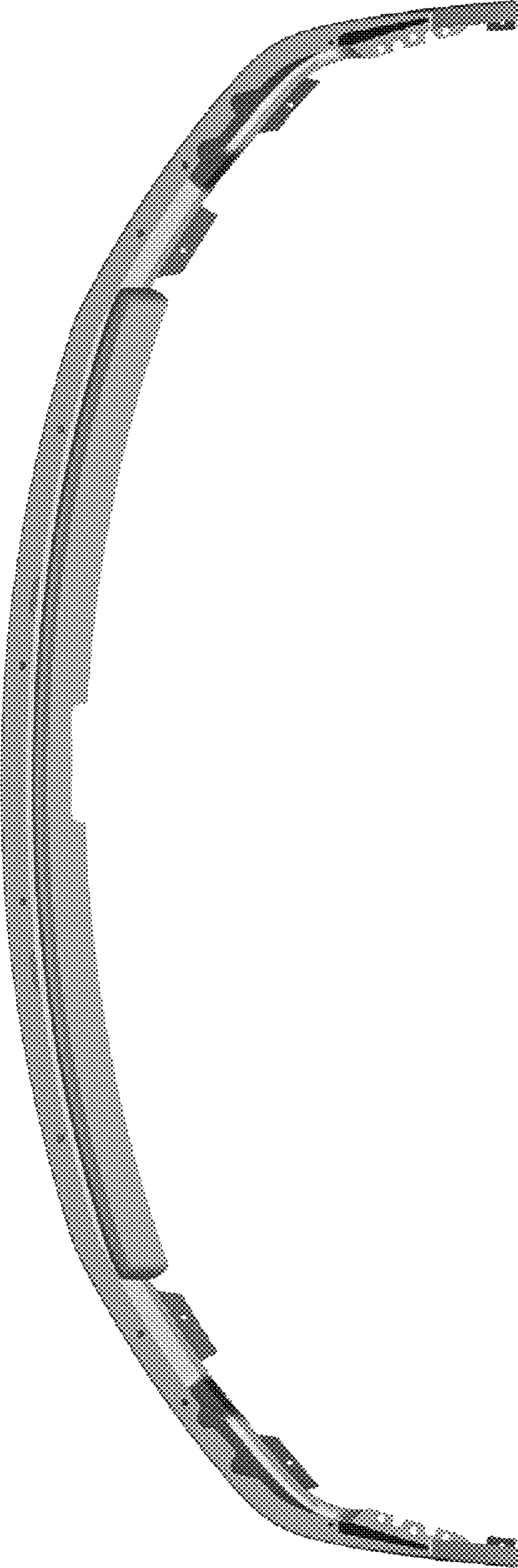


Figure 5

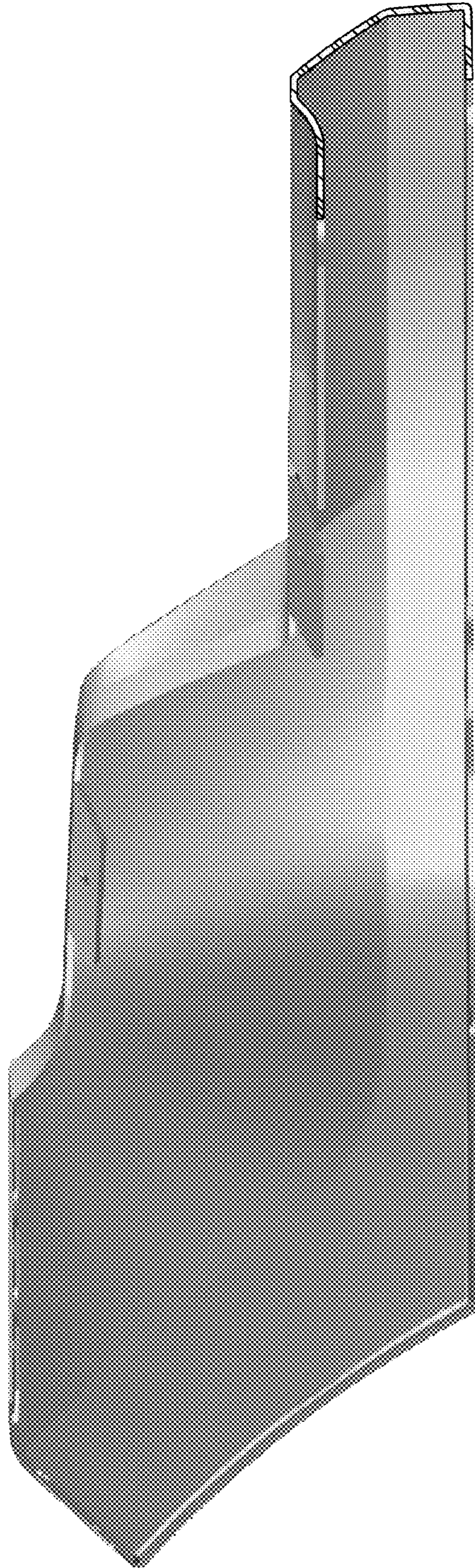


Figure 6

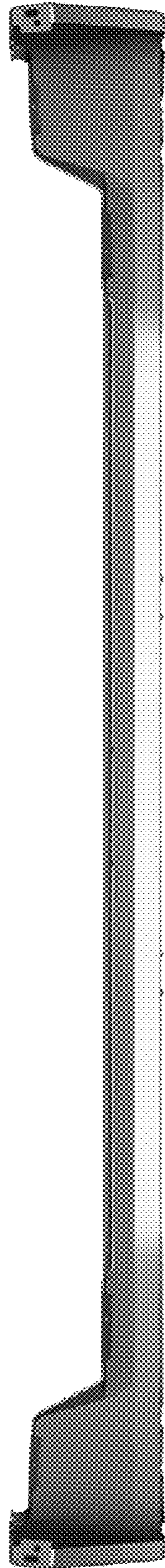


Figure 7