

US00D560144S

(12) **United States Design Patent**
Tant et al.

(10) **Patent No.:** **US D560,144 S**
(45) **Date of Patent:** **** Jan. 22, 2008**

(54) **VEHICLE FRONT BUMPER**

D534,105 S * 12/2006 Schiavone et al. D12/169

(75) Inventors: **Sean W Tant**, Livonia, MI (US);
George Bucher, Dearborn, MI (US);
Jeff Sanders, Allen Park, MI (US);
Michael Smith, Plymouth, MI (US)

OTHER PUBLICATIONS
Ford F150 Lariat, Detroit 2006 (8 pages).
Ford F150 King Ranch, Detroit 2004 (9 pages).

* cited by examiner

(73) Assignee: **Ford Global Technologies, LLC**,
Dearborn, MI (US)

Primary Examiner—Melody N. Brown
(74) *Attorney, Agent, or Firm*—Damian Porcari

(**) Term: **14 Years**

(57) **CLAIM**

(21) Appl. No.: **29/250,650**

The ornamental design for a vehicle front bumper, as shown and described.

(22) Filed: **Nov. 27, 2006**

(51) **LOC (8) Cl.** **12-16**

(52) **U.S. Cl.** **D12/169**

(58) **Field of Classification Search** D12/90-92,
D12/86, 169, 196, 163; 296/193.1, 181.1;
293/102, 113, 115, 117, 120
See application file for complete search history.

DESCRIPTION

FIG. 1 is a front elevational view of a vehicle front bumper showing our new design;

FIG. 2 is an enlarged left side elevational view thereof;

FIG. 3 is an enlarged right side elevational view thereof;

FIG. 4 is a top plan view thereof;

FIG. 5 is a bottom plan view thereof;

FIG. 6 is a cross sectional view taken along the line 6—6 in FIG. 1; and,

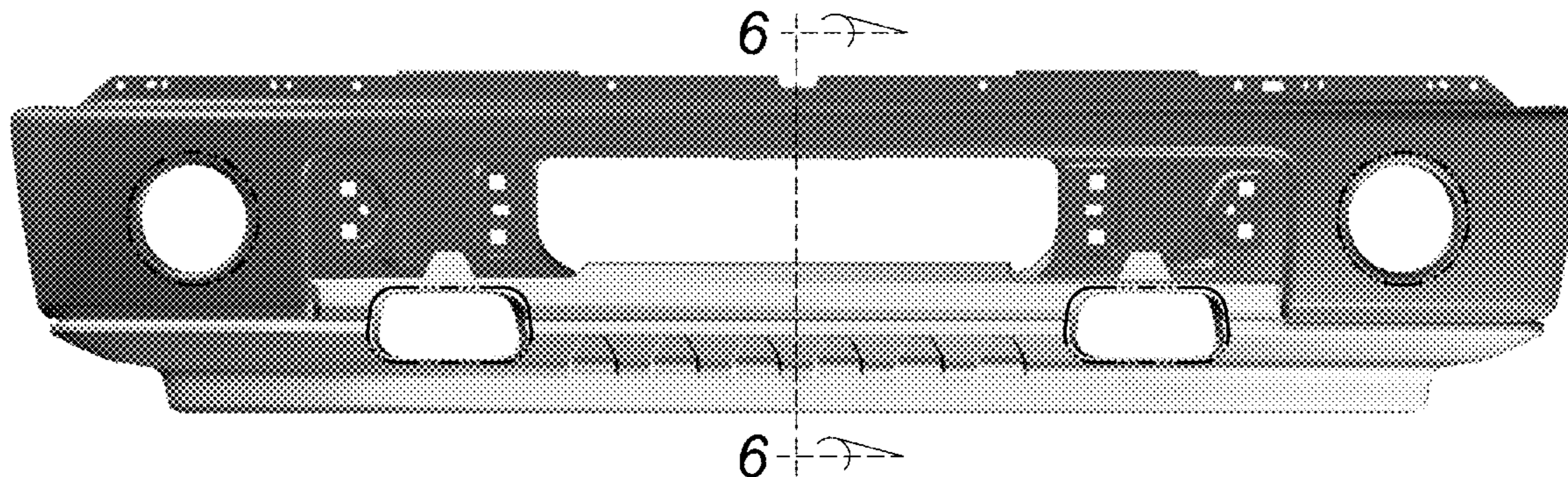
FIG. 7 is a rear elevational view thereof.

(56) **References Cited**

U.S. PATENT DOCUMENTS

D447,453 S * 9/2001 Kim D12/169
D492,628 S * 7/2004 Bond et al. D12/169
D497,577 S * 10/2004 Metros et al. D12/169
D519,067 S * 4/2006 Steere et al. D12/169

1 Claim, 7 Drawing Sheets



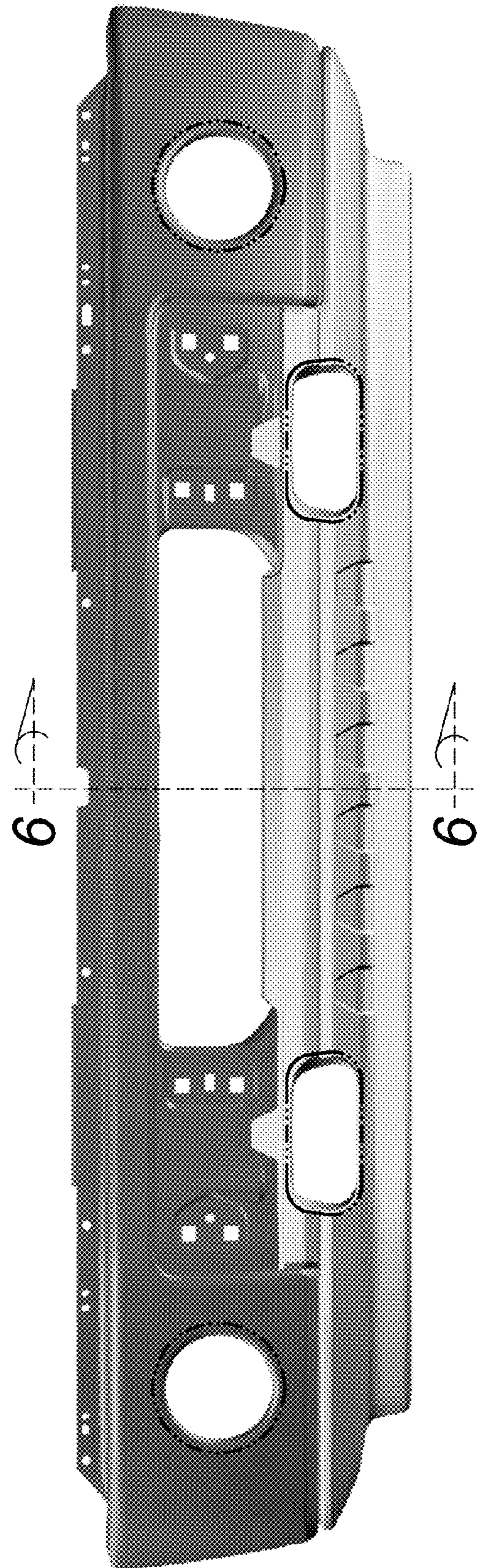


Figure 1

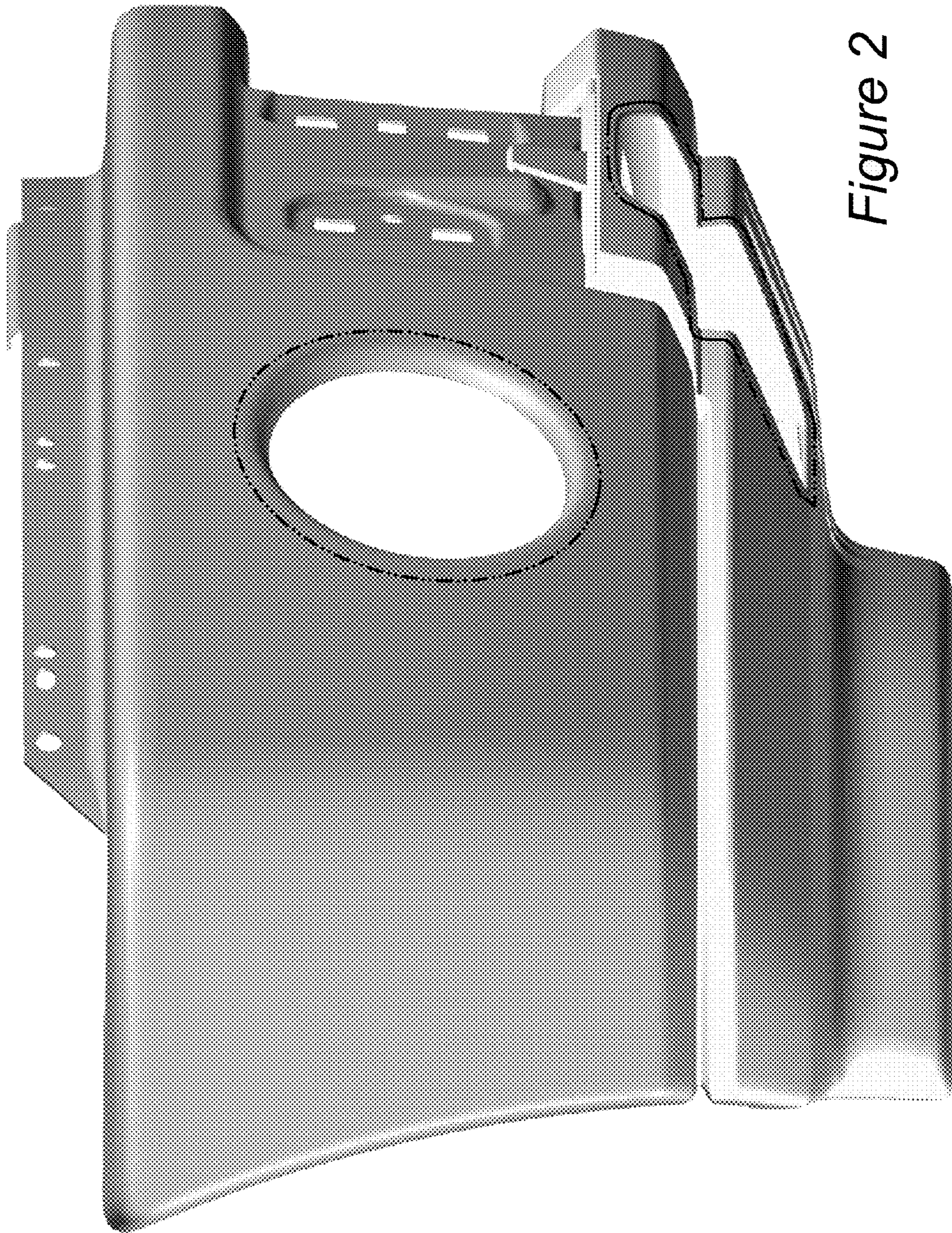


Figure 2

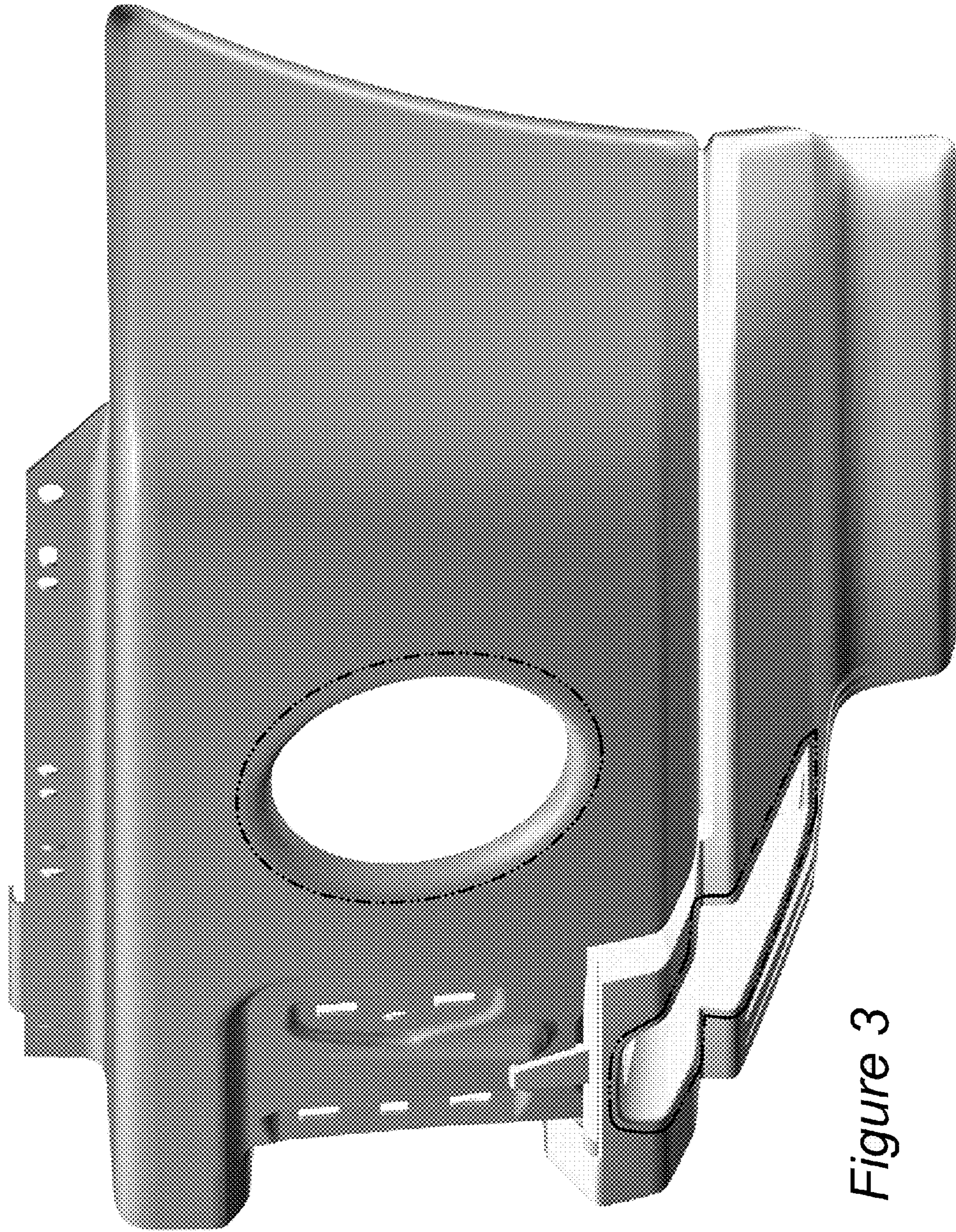


Figure 3

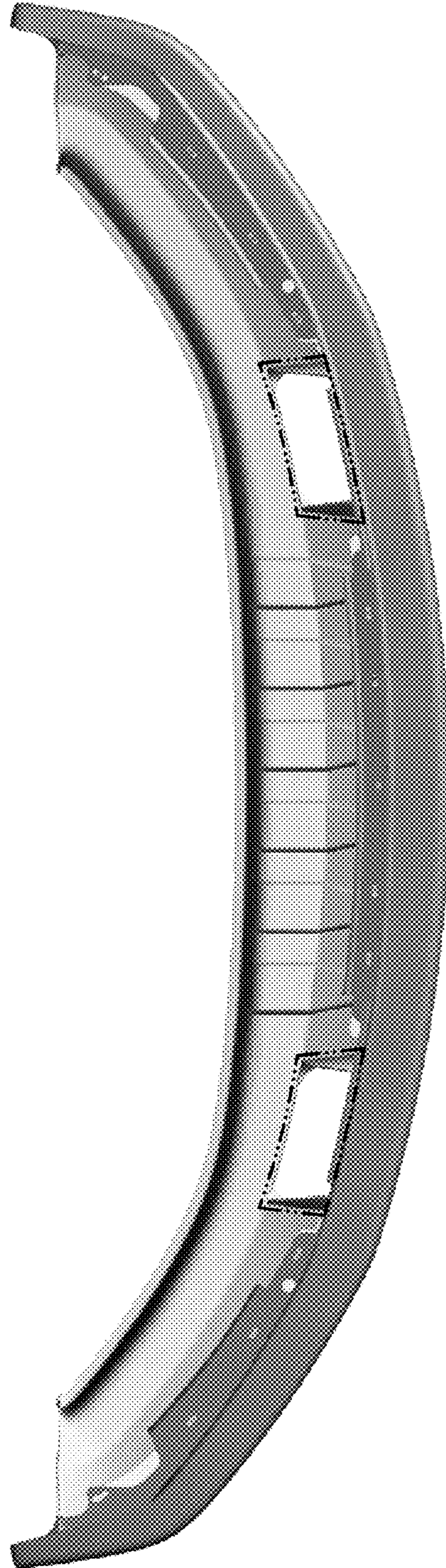


Figure 4

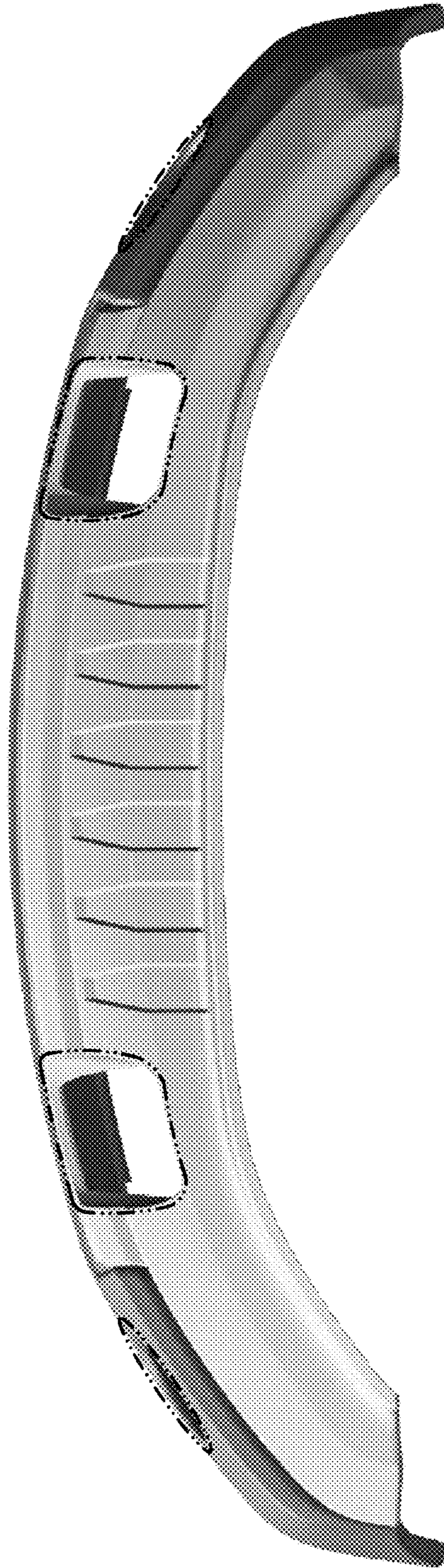


Figure 5

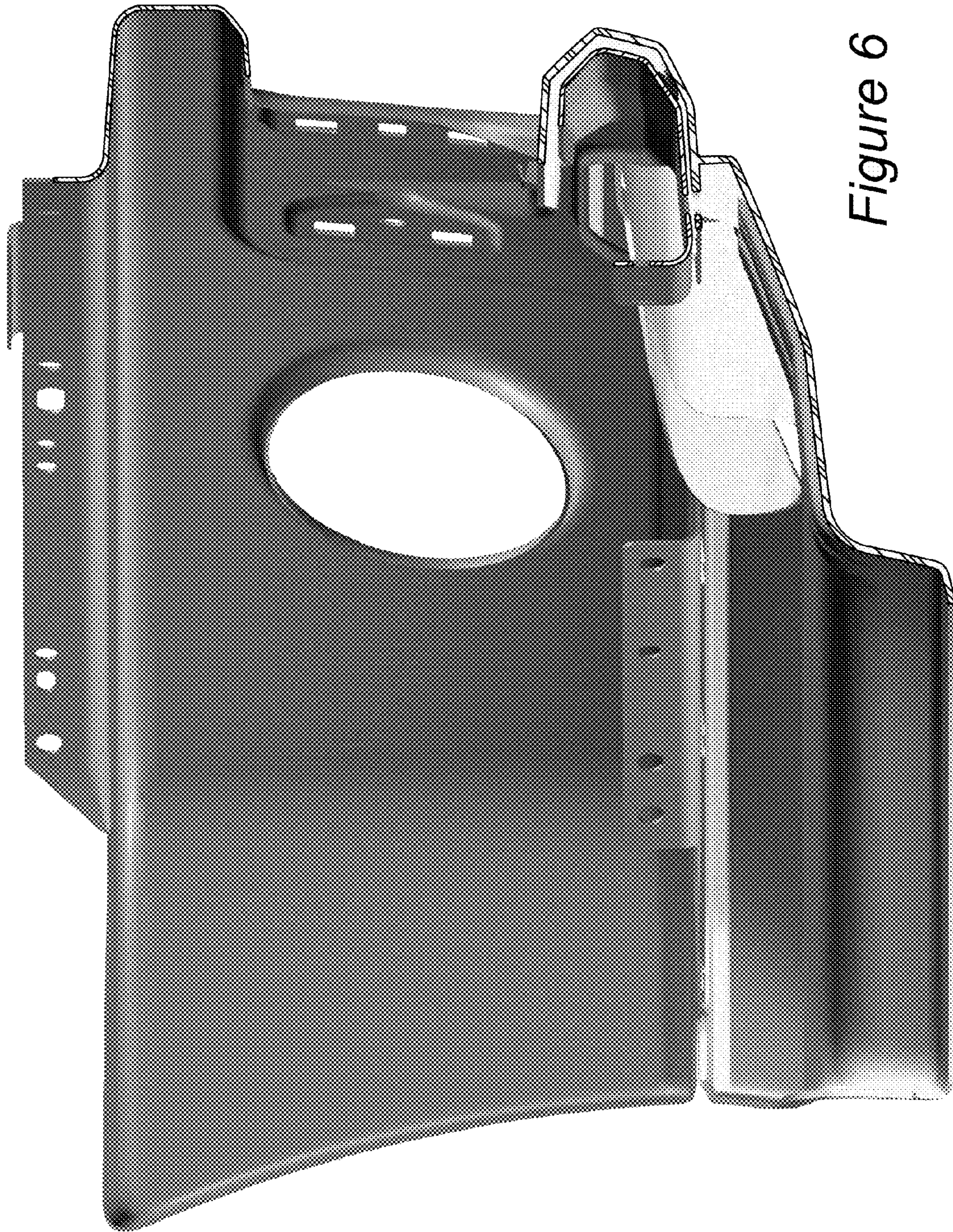


Figure 6

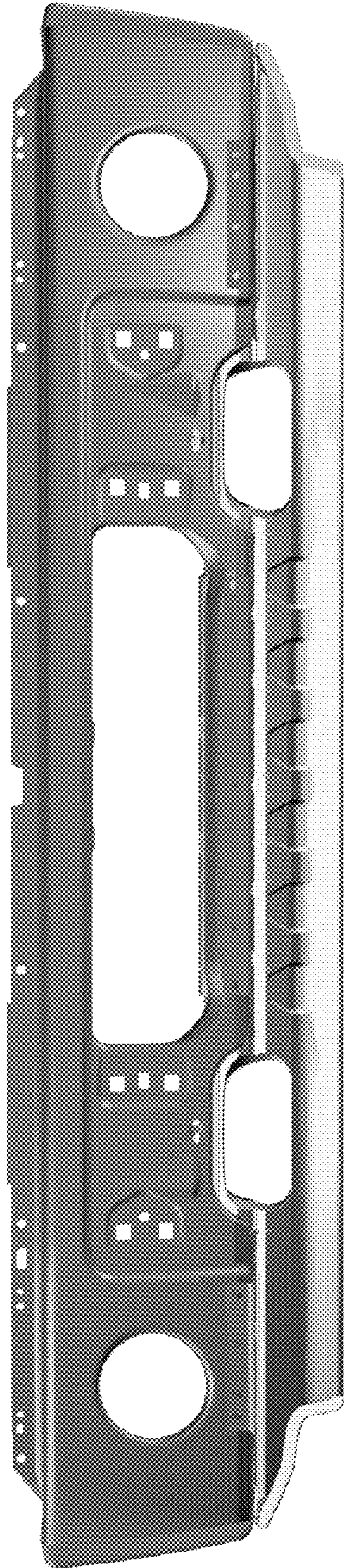


Figure 7