



US00D560137S

(12) **United States Design Patent**
Reffert et al.

(10) **Patent No.:** **US D560,137 S**
(45) **Date of Patent:** **** Jan. 22, 2008**

(54) **HALLOWEEN PUMPKIN PUNCH OUT KIT**

(76) Inventors: **Laraine Reffert**, 2971 Sudbury La.,
Brunswick, OH (US) 44212; **Randy**
Reffert, 2971 Sudbury La., Brunswick,
OH (US) 44212

(**) Term: **14 Years**

(21) Appl. No.: **29/226,727**

(22) Filed: **Mar. 31, 2005**

(51) **LOC (8) Cl.** **11-05**

(52) **U.S. Cl.** **D11/121; D11/117; D11/125**

(58) **Field of Classification Search** D11/117,
D11/121, 125, 127, 128, 131, 157, 158, 160,
D11/164; D7/672, 381, 673, 675, 676; D9/614,
D9/624; 428/7, 8, 9, 11
See application file for complete search history.

(56) **References Cited**

U.S. PATENT DOCUMENTS

D127,026	S	*	5/1941	Miller et al.	D7/676
D154,564	S	*	7/1949	Price et al.	D7/676
2,628,626	A		2/1953	Teillaud		
4,296,659	A	*	10/1981	Nauman	83/54
D319,374	S	*	8/1991	Johannsen	D7/689
D332,032	S	*	12/1992	Kaiser	D7/676
5,193,877	A		3/1993	George, Jr.		
5,303,473	A	*	4/1994	Sadler	30/128
D347,976	S	*	6/1994	Lombardi	D7/676
D391,154	S	*	2/1998	Kramer	D3/271.3

D420,866	S	*	2/2000	VanHalteren et al.	D7/675
D435,069	S		12/2000	Berardelli		
6,267,036	B1	*	7/2001	Lani	83/660
6,342,175	B1	*	1/2002	Brown et al.	264/155
2007/0036920	A1	*	2/2007	Birkmann et al.	428/7

FOREIGN PATENT DOCUMENTS

GB	1553226	9/1979
GB	2065568	7/1981

* cited by examiner

Primary Examiner—Stella M. Reid

Assistant Examiner—Elizabeth J Oswecki

(74) *Attorney, Agent, or Firm*—Raymond M. Galasso;
Galasso & Associates, LP

(57) **CLAIM**

The ornamental design for a Halloween pumpkin punch out kit, as shown.

DESCRIPTION

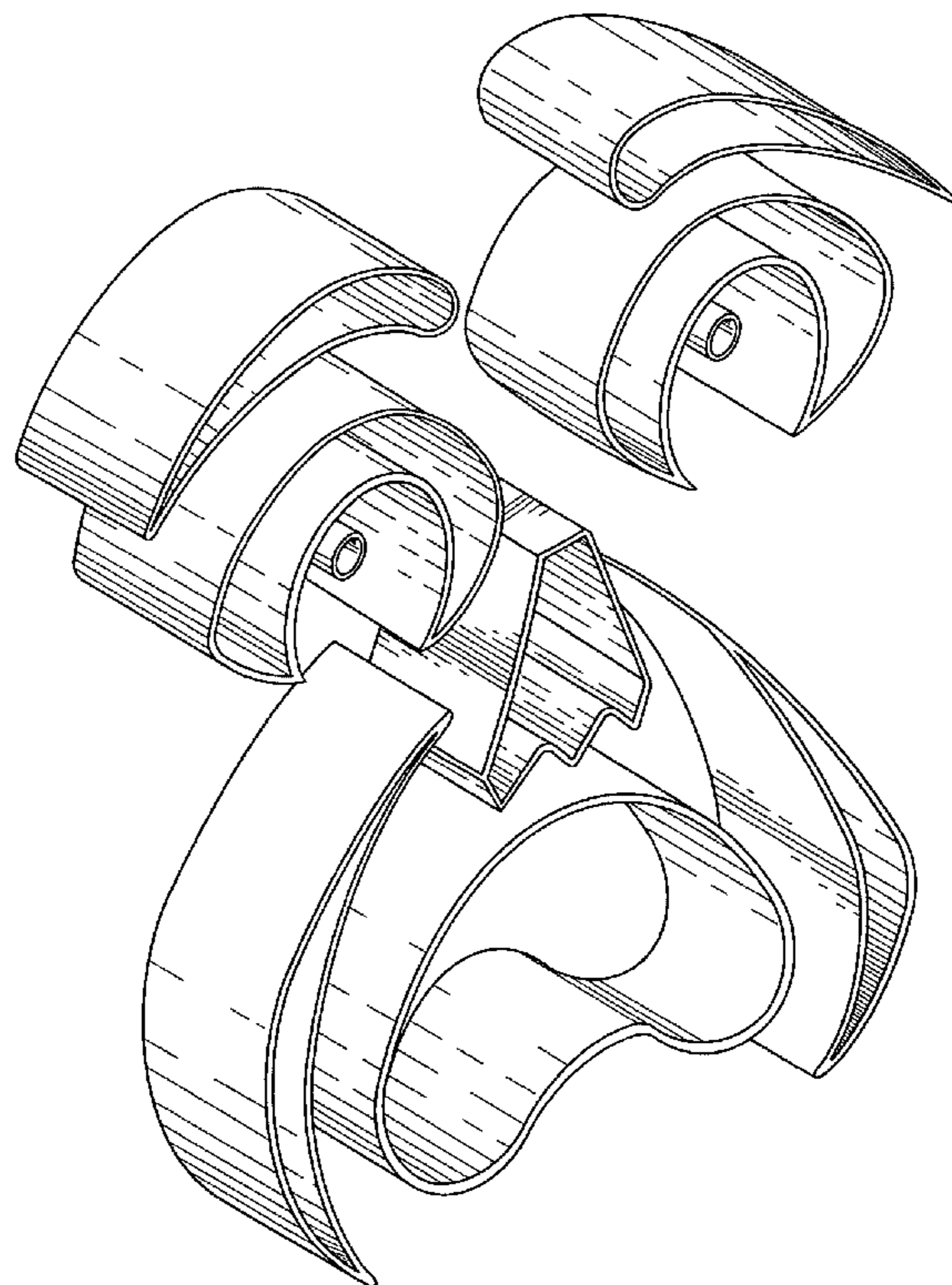
FIG. 1 is a front elevational view of a Halloween pumpkin punch out kit showing our new design; and,

FIG. 2 is a front elevational of the lettering included in the Halloween pumpkin punch out kit depicted in FIG. 1.

All surfaces not shown form no part of the claimed design.

A back view of the Halloween pumpkin punch out kit is being omitted since it is an identical/mirror image of the front view and contains no ornamentality.

1 Claim, 2 Drawing Sheets



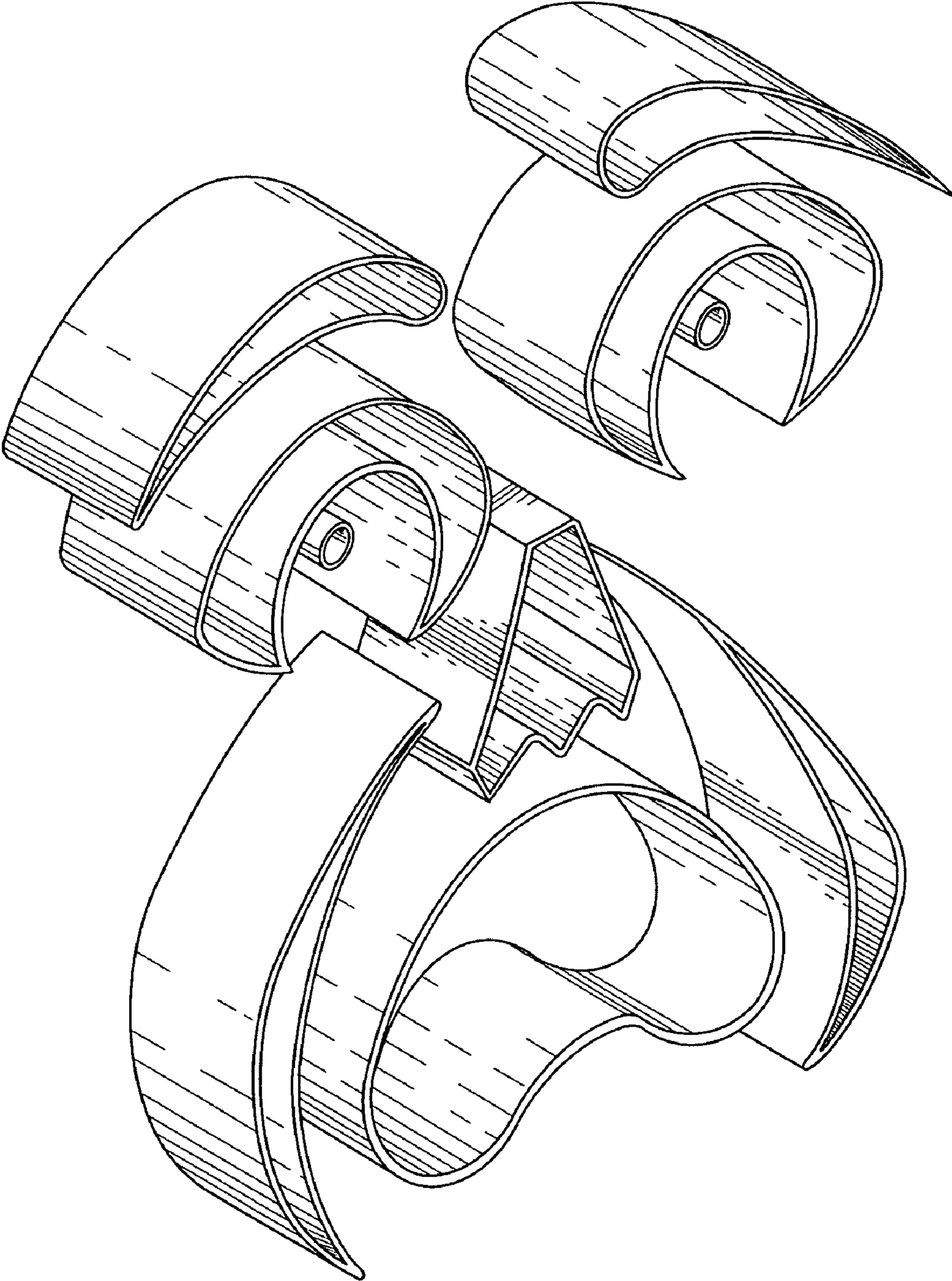


FIG. 1

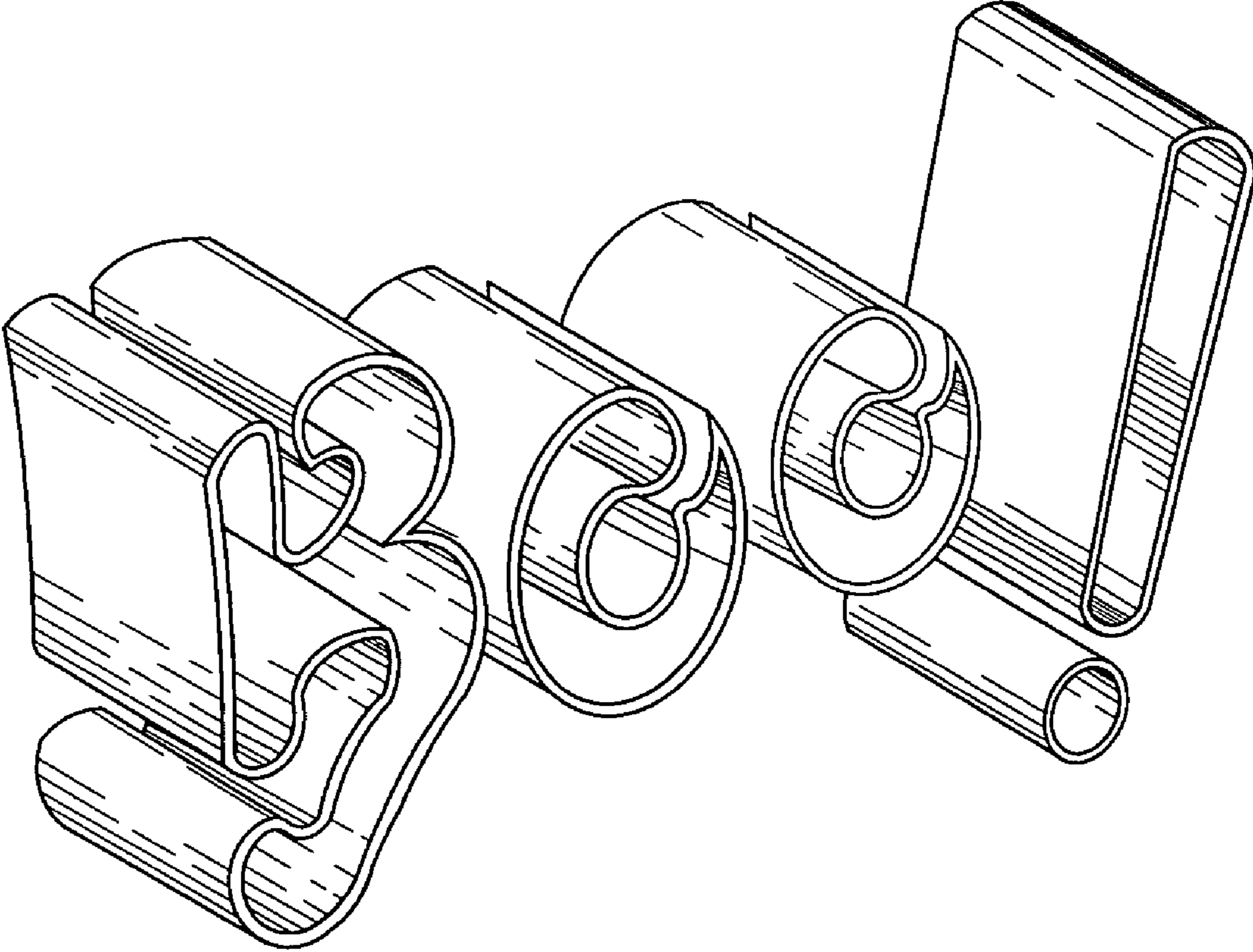


FIG. 2