



US00D560133S

(12) **United States Design Patent**
Heller

(10) **Patent No.:** **US D560,133 S**
(45) **Date of Patent:** **** Jan. 22, 2008**

(54) **SMOKE, FIRE, AND GAS DETECTOR**

(75) Inventor: **Carsten Heller**, Bad Salzdetfurth (DE)

(73) Assignee: **Wagner Alarm und
Sicherungssysteme GmbH**,
Langenhagen (DE)

(**) Term: **14 Years**

(21) Appl. No.: **29/259,289**

(22) Filed: **May 4, 2006**

(30) **Foreign Application Priority Data**

Nov. 4, 2005 (EM) 000426820

(51) **LOC (8) Cl.** **10-05**

(52) **U.S. Cl.** **D10/106**

(58) **Field of Classification Search** D10/104-121;
D13/123, 110; D14/188; 439/650; 361/683;
340/628; 70/1.06, 431

See application file for complete search history.

(56) **References Cited**

U.S. PATENT DOCUMENTS

D370,677 S * 6/1996 Olson D14/188
5,649,839 A * 7/1997 Yu 439/650

D404,396 S * 1/1999 Mackie et al. D14/188
D462,658 S * 9/2002 Reynolds D13/110
D467,226 S * 12/2002 Lee D13/123
D509,185 S * 9/2005 Suckle et al. D13/110
2002/0159229 A1 * 10/2002 Searby et al. 361/683
2004/0050137 A1 * 3/2004 Hoppenworth 73/1.06
2006/0007009 A1 * 1/2006 Hess et al. 340/628
2006/0010974 A1 * 1/2006 Koyano et al. 73/431

* cited by examiner

Primary Examiner—Robert M. Spear
Assistant Examiner—George D Kirschbaum
(74) *Attorney, Agent, or Firm*—David M. Ostfeld

(57) **CLAIM**

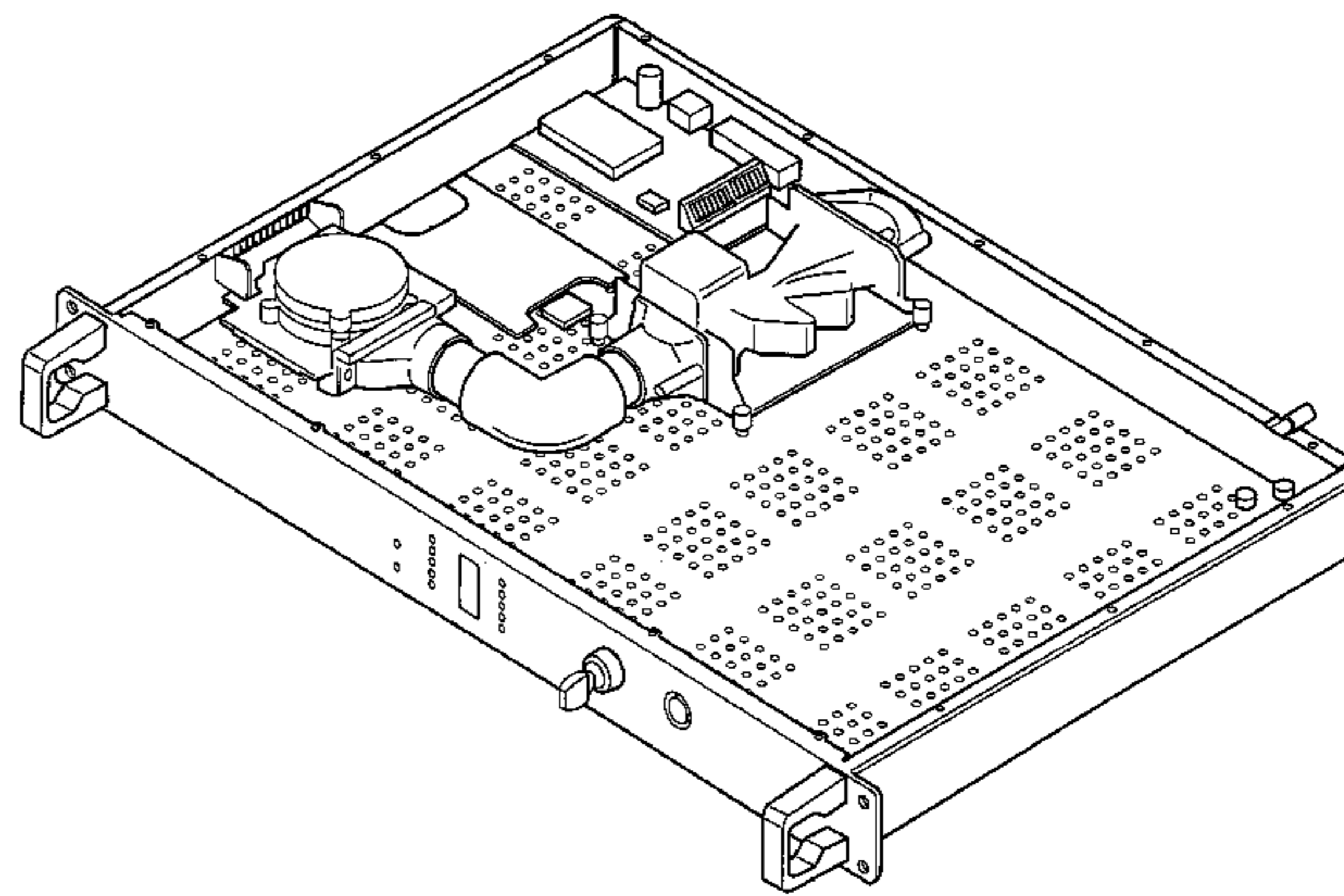
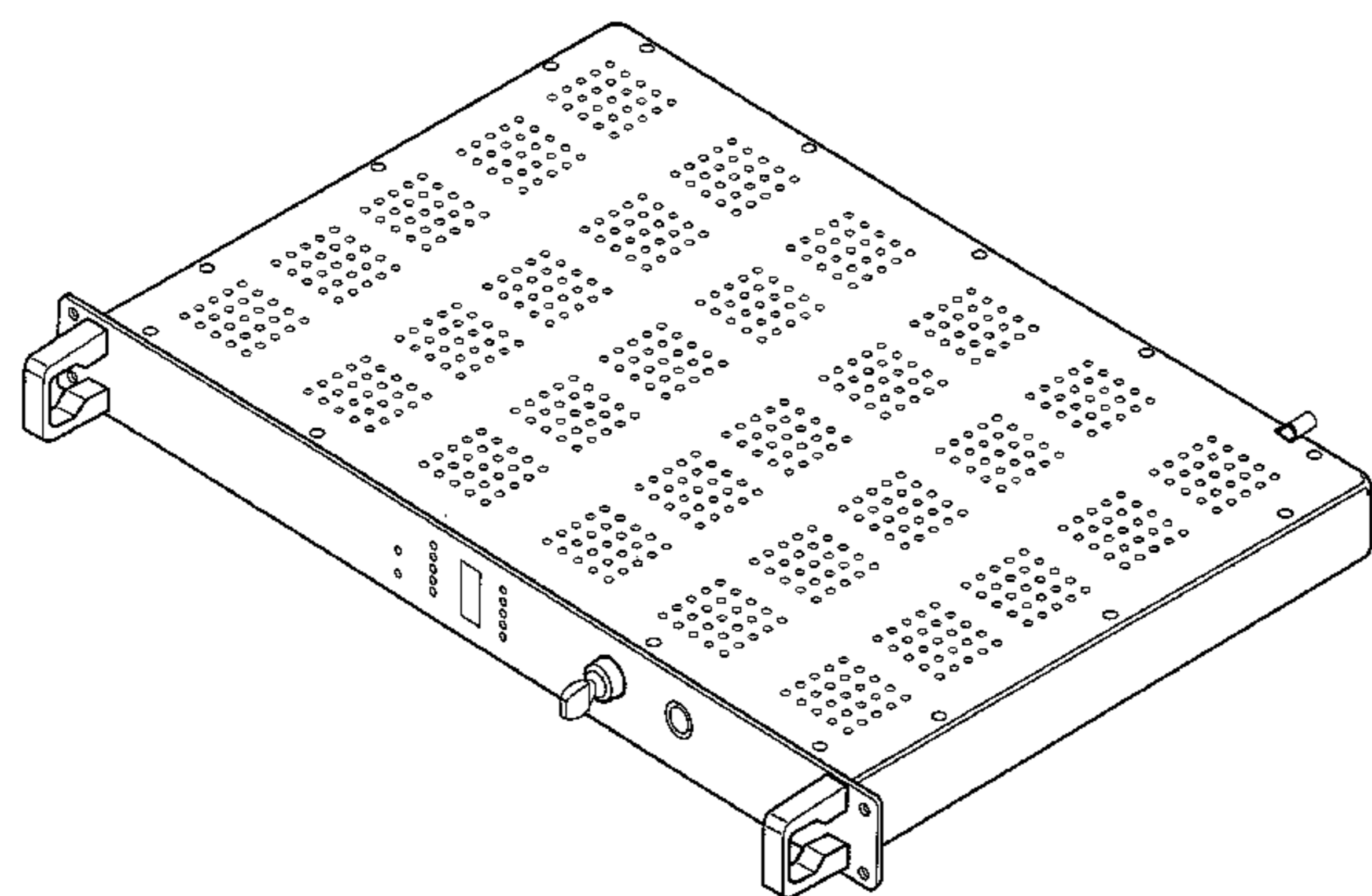
The ornamental design for a smoke, fire, and gas detector, as shown and described.

DESCRIPTION

FIG. 1 is a perspective view of a smoke, fire, and gas detector showing the new design in an enclosed configuration; and,

FIG. 2 is a perspective view of a smoke, fire, and gas detector showing the new design in an open configuration, and showing the internal components.

1 Claim, 2 Drawing Sheets



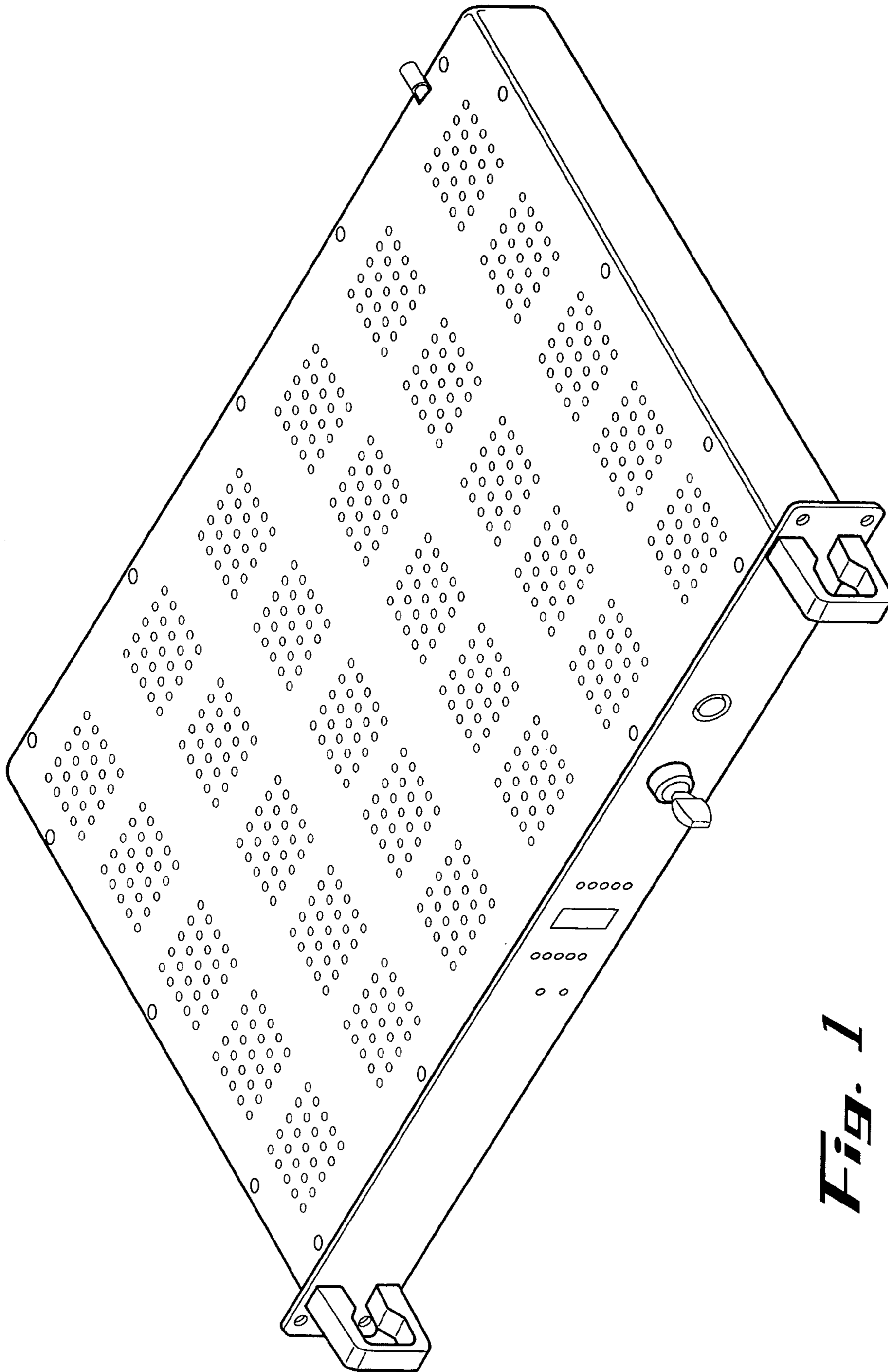


Fig. 1

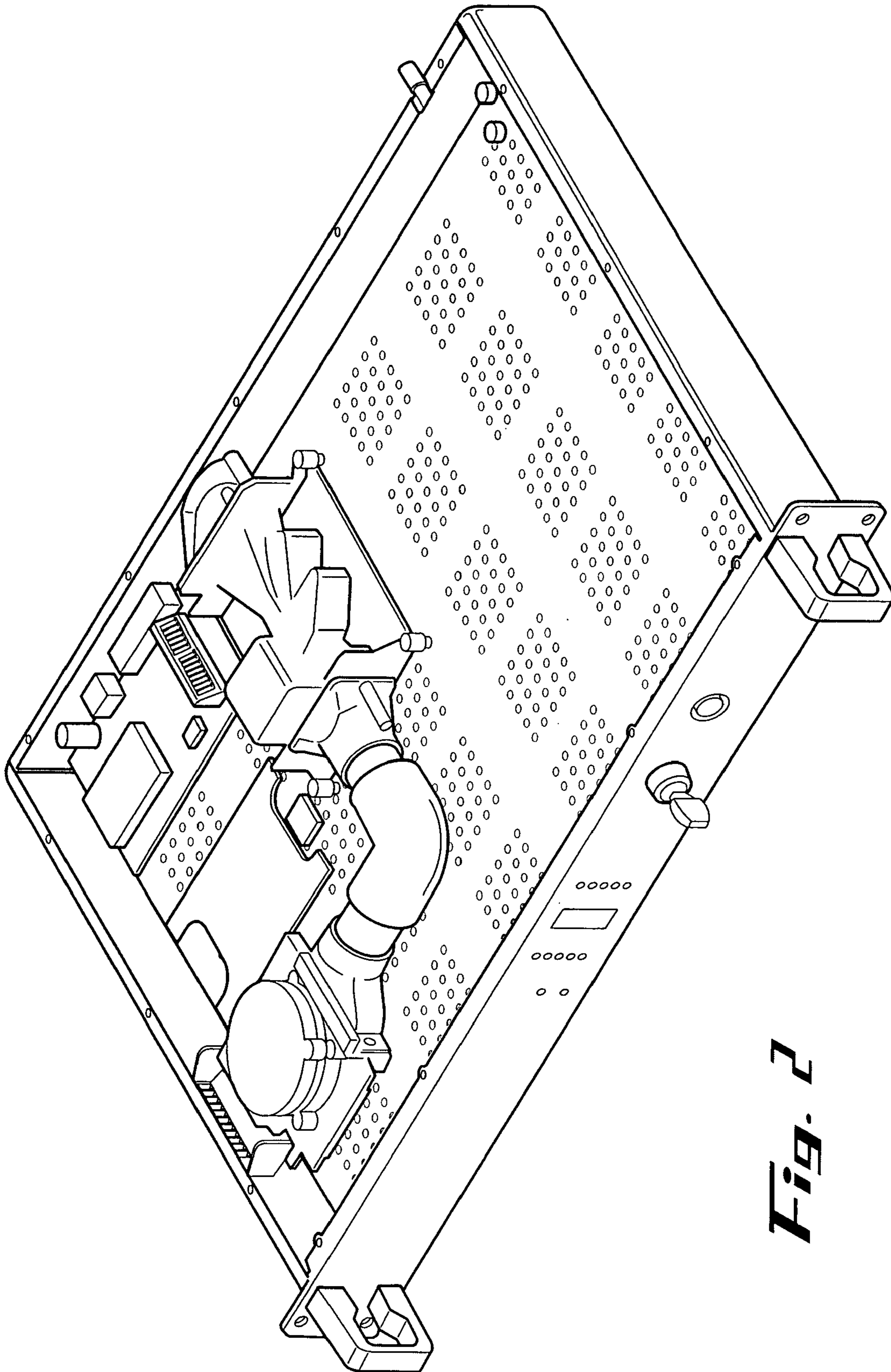


Fig. 2