

US00D560131S

(12) **United States Design Patent**
Hu

(10) **Patent No.:** **US D560,131 S**

(45) **Date of Patent:** **** Jan. 22, 2008**

(54) **BIOCHEMICAL ANALYZER**

7,182,912 B2 * 2/2007 Carey et al. 422/64

(75) Inventor: **Zhifeng Hu**, Shenzhen (CN)

* cited by examiner

(73) Assignee: **Shenzhen Mindray Bio-Medical Electronics Co., Ltd.**, Shenzhen (CN)

Primary Examiner—Antoine D. Davis

(74) *Attorney, Agent, or Firm*—Gottlieb, Rackman & Reisman P.C.

(**) Term: **14 Years**

(21) Appl. No.: **29/264,667**

(22) Filed: **Aug. 15, 2006**

(57) **CLAIM**

The ornamental design for a biochemical analyzer, as shown and described.

(30) **Foreign Application Priority Data**

Apr. 21, 2006 (CN) 2006 3 0016371

DESCRIPTION

(51) **LOC (8) Cl.** **10-04**

(52) **U.S. Cl.** **D10/81; D24/186**

(58) **Field of Classification Search** D10/81;
D24/186, 232, 233, 234; 73/864.01, 864.12;
134/21, 22.11, 24, 26–27, 169 R; 422/62–64,
422/100; 436/47, 49, 179, 180

See application file for complete search history.

FIG. 1 is a front perspective view from above of a biochemical analyzer, showing my new design in a closed position;

FIG. 2 is a front perspective view from above, showing my new design in an open position;

FIG. 3 is a front elevational view thereof in a closed position;

FIG. 4 is a rear elevational view thereof in a closed position;

FIG. 5 is a right side elevational view thereof in a closed position;

FIG. 6 is a left side elevational view thereof in a closed position; and,

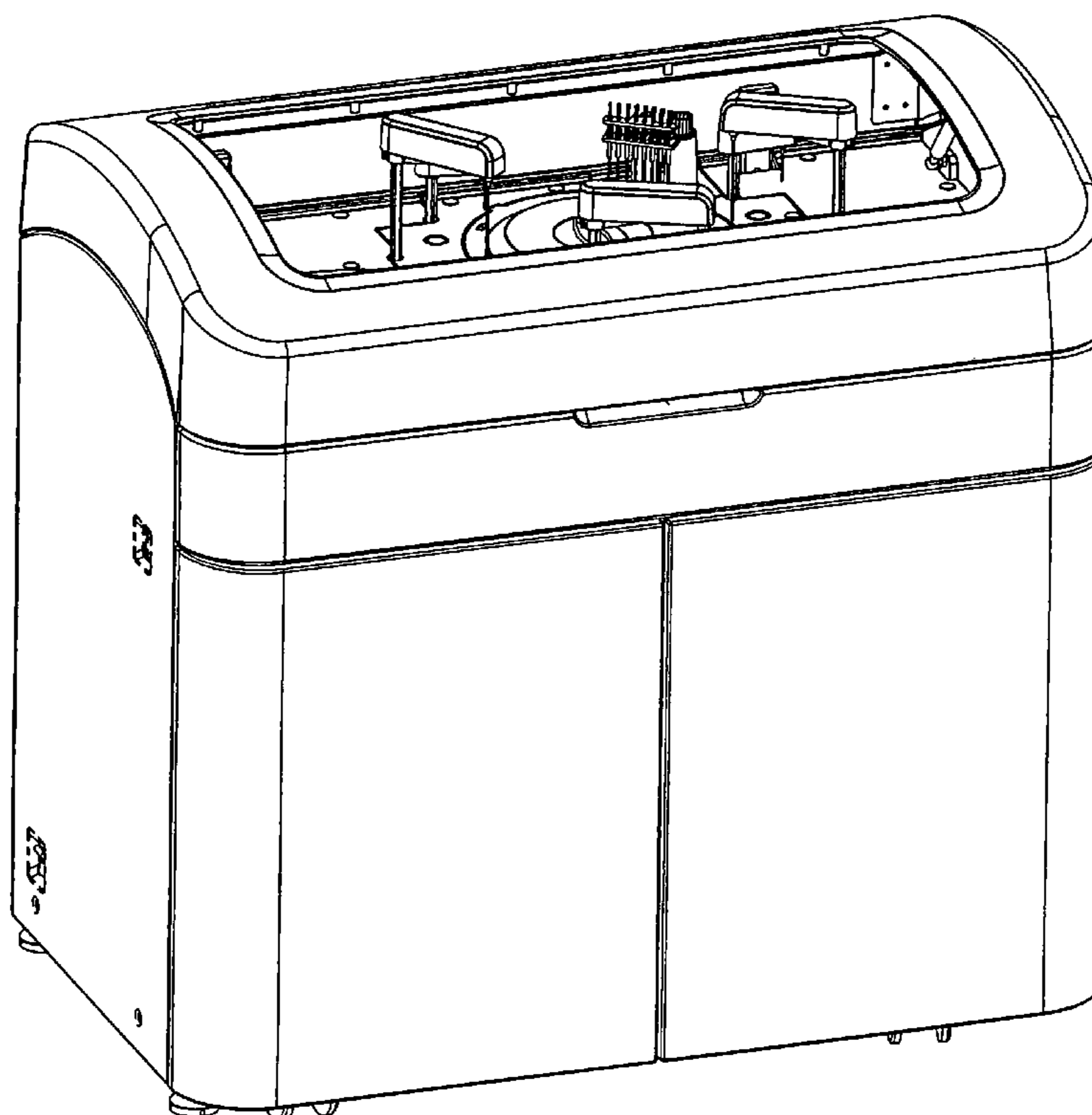
FIG. 7 is a top plan view thereof in a closed position.

(56) **References Cited**

U.S. PATENT DOCUMENTS

- D314,049 S * 1/1991 Katayama D24/186
- D339,639 S * 9/1993 Ohnuma et al. D24/232
- D380,551 S * 7/1997 Ohnuma et al. D24/186
- 6,827,902 B1 * 12/2004 Kuriyama et al. 422/65
- 7,135,145 B2 * 11/2006 Ammann et al. 422/64

1 Claim, 7 Drawing Sheets



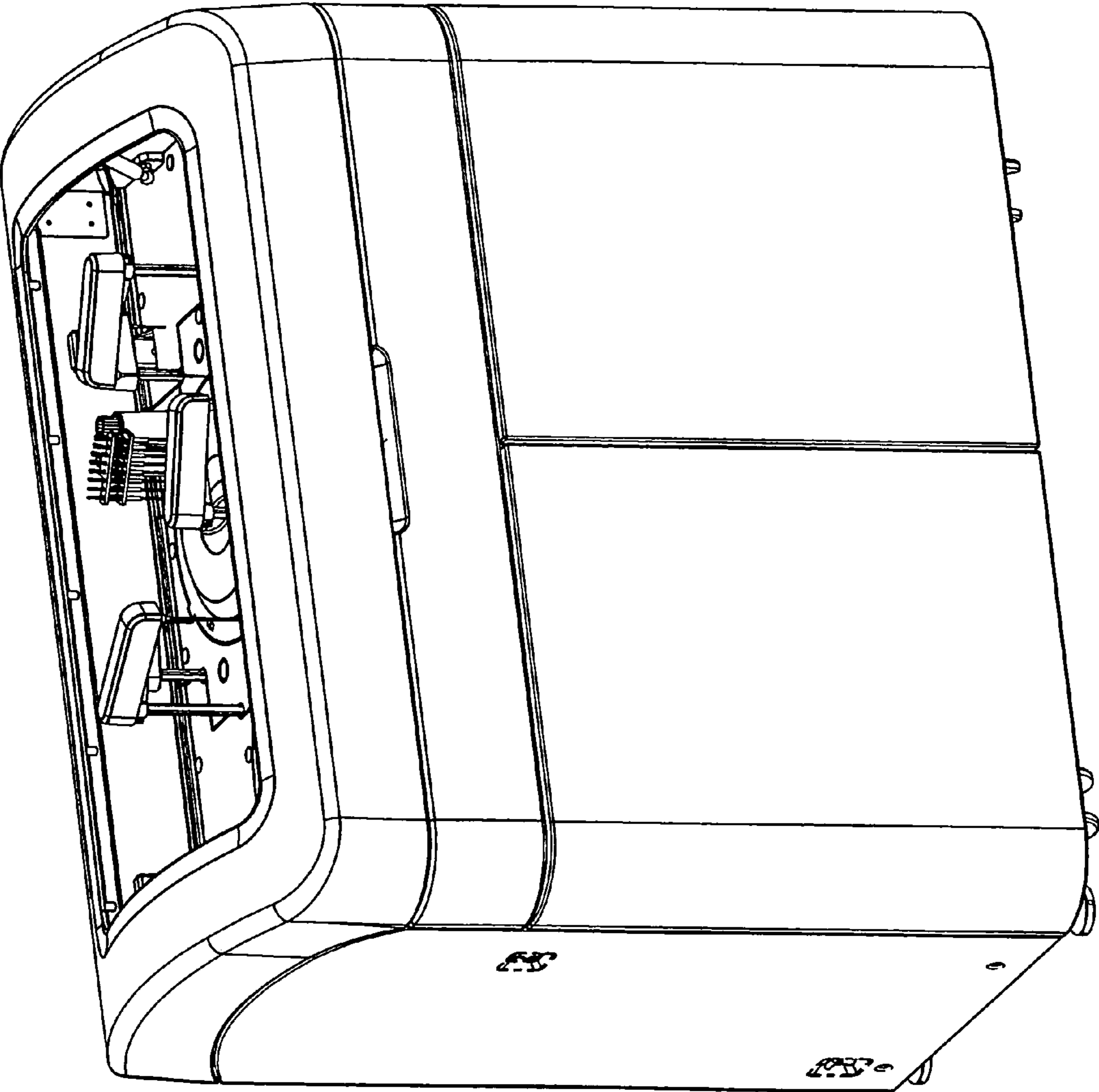


FIG. 1

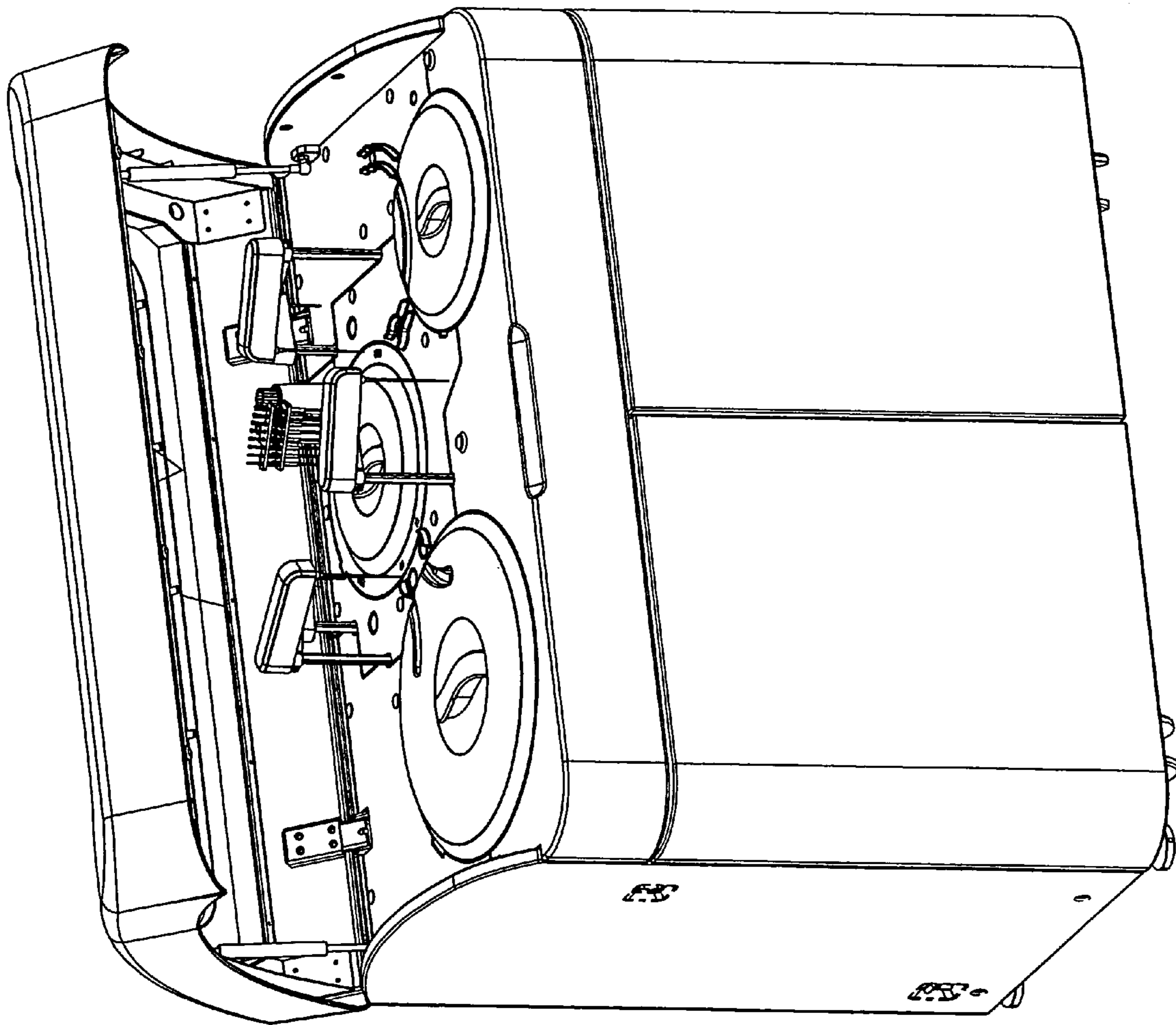


FIG. 2

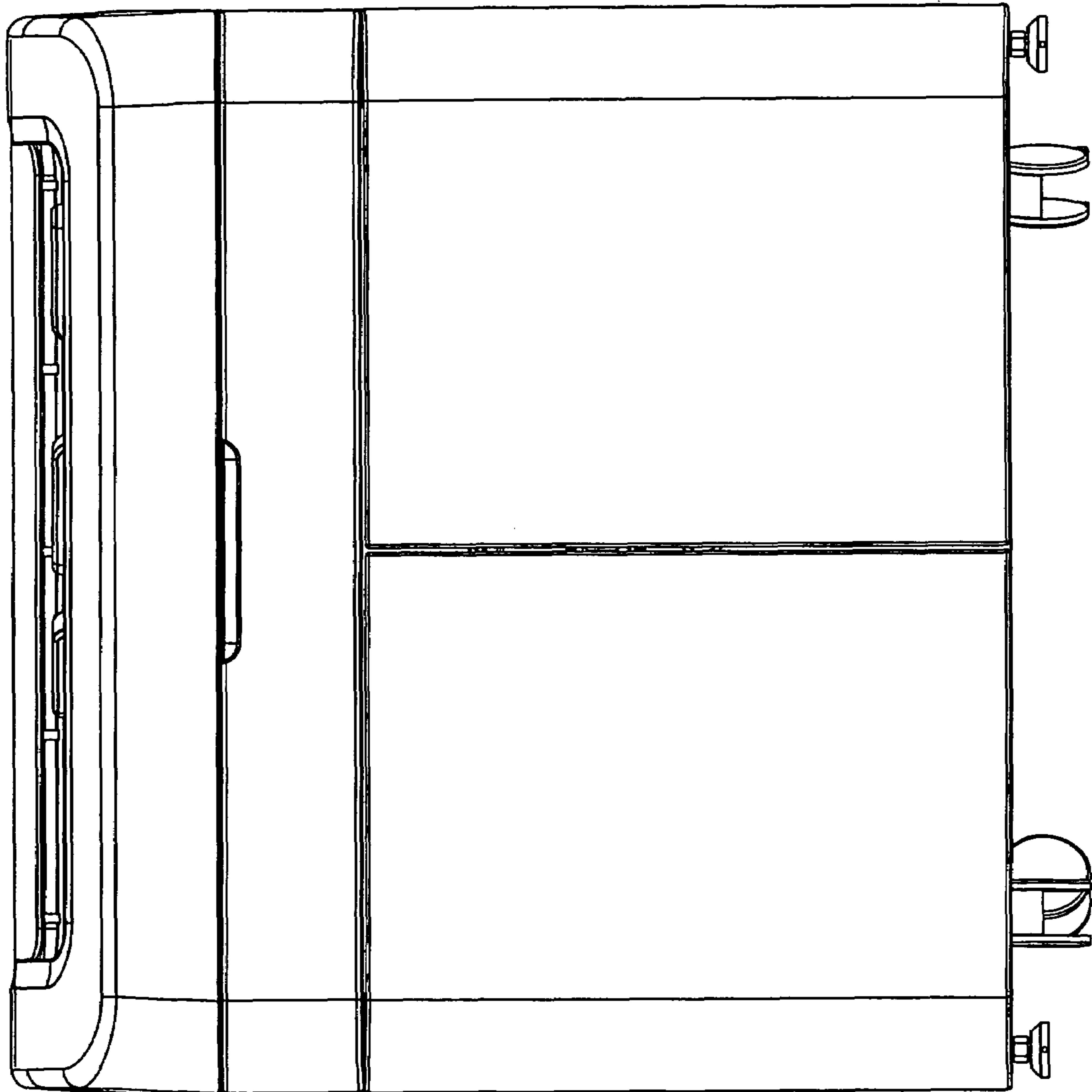


FIG. 3

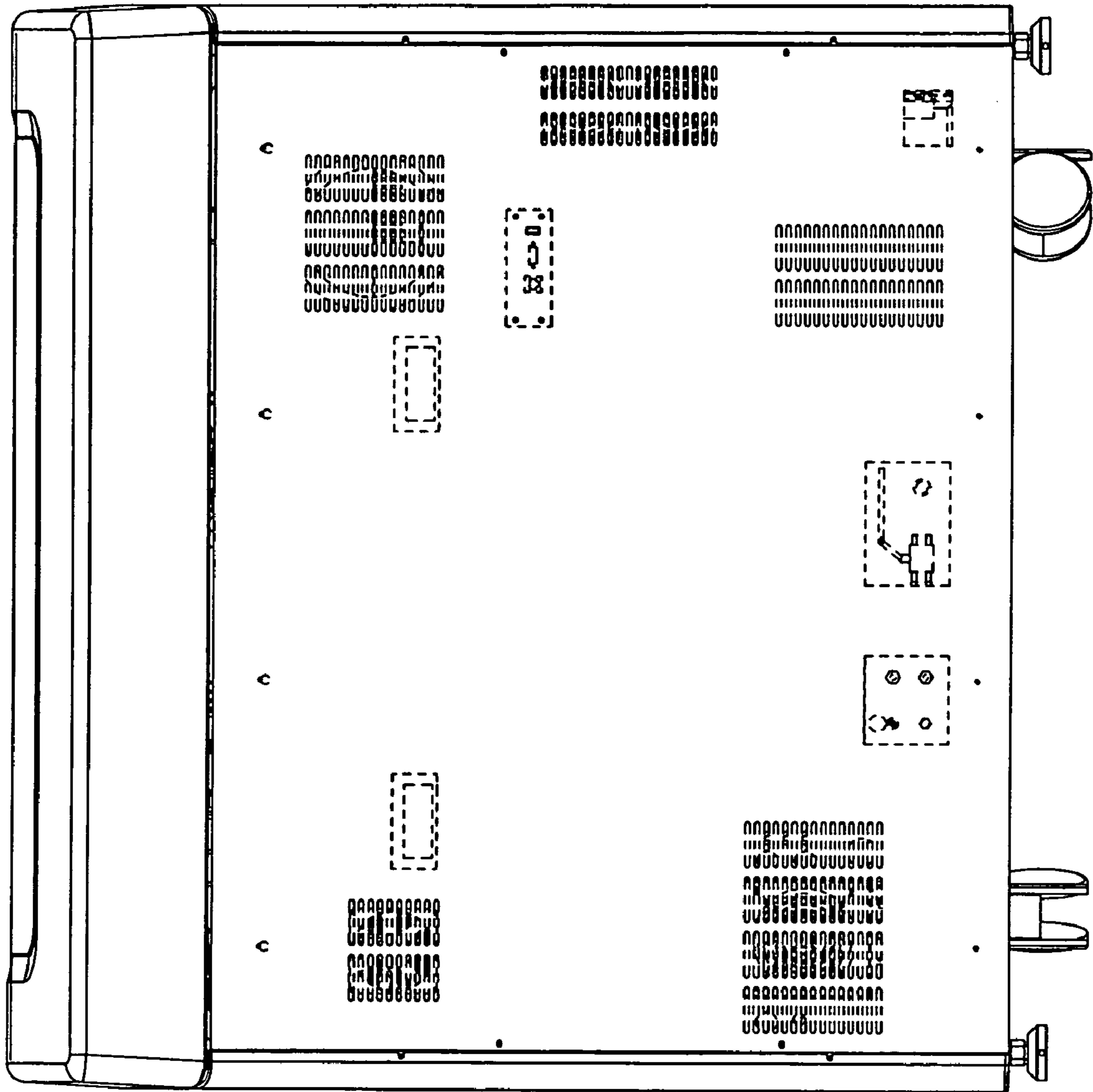


FIG. 4

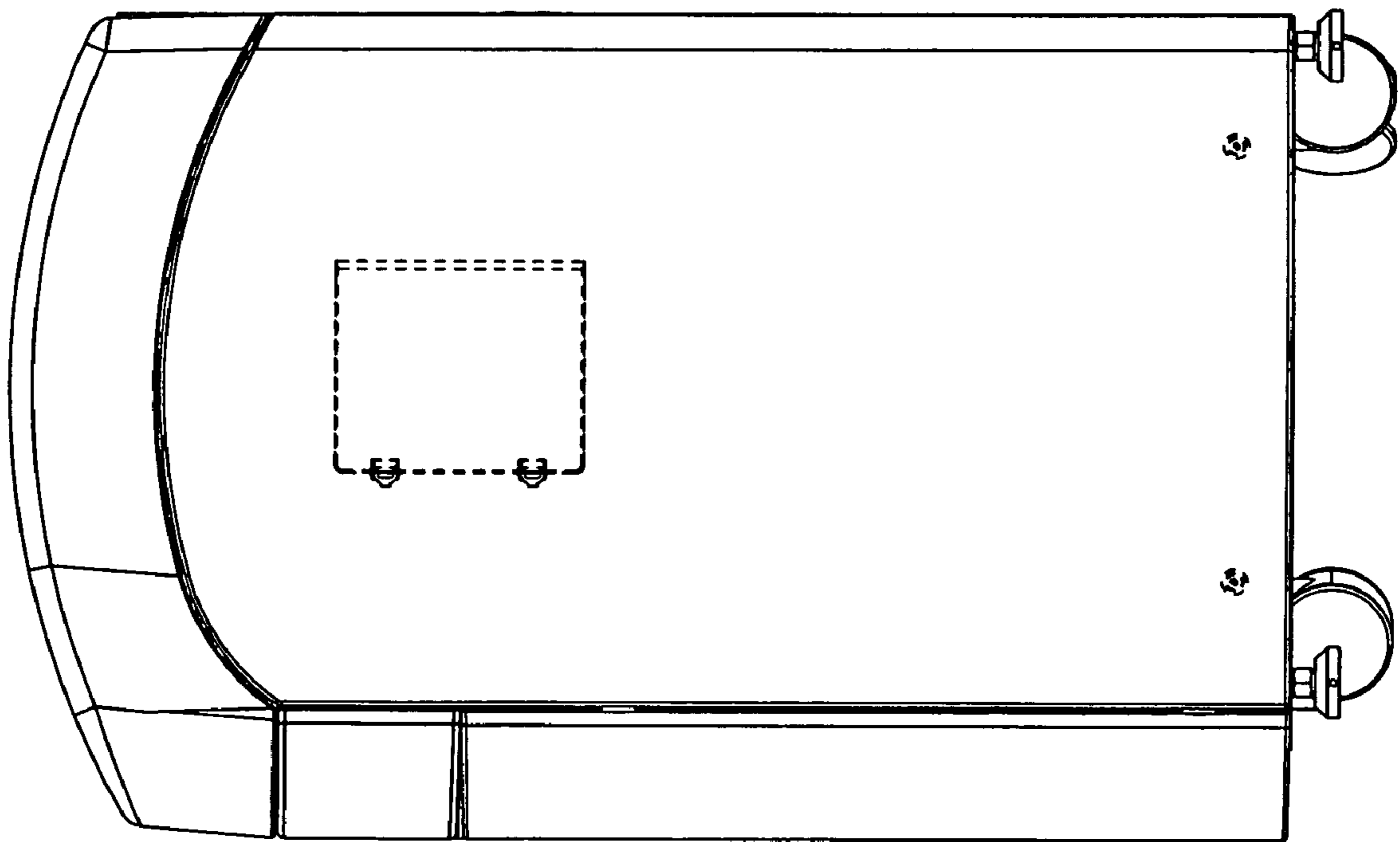


FIG. 5

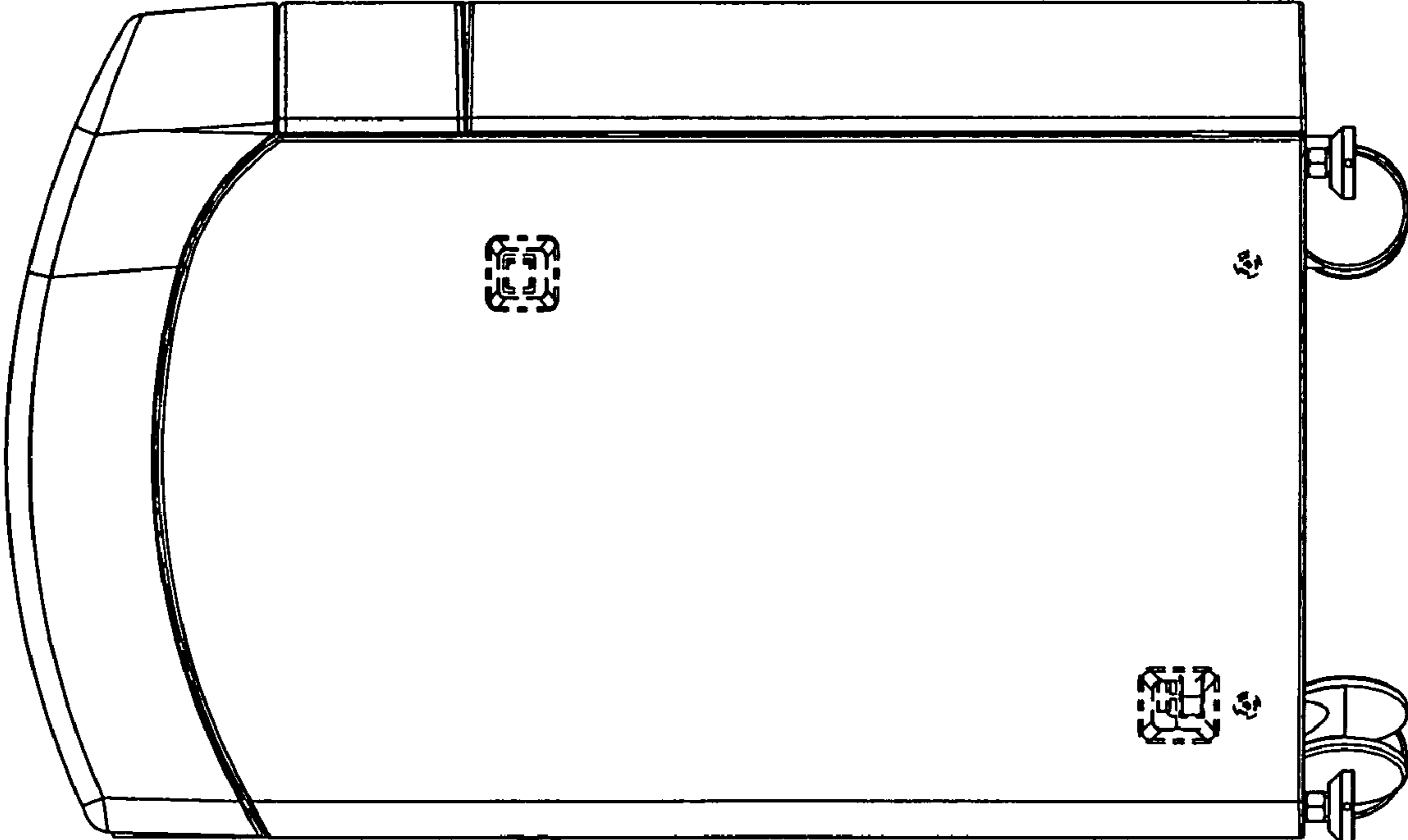


FIG. 6

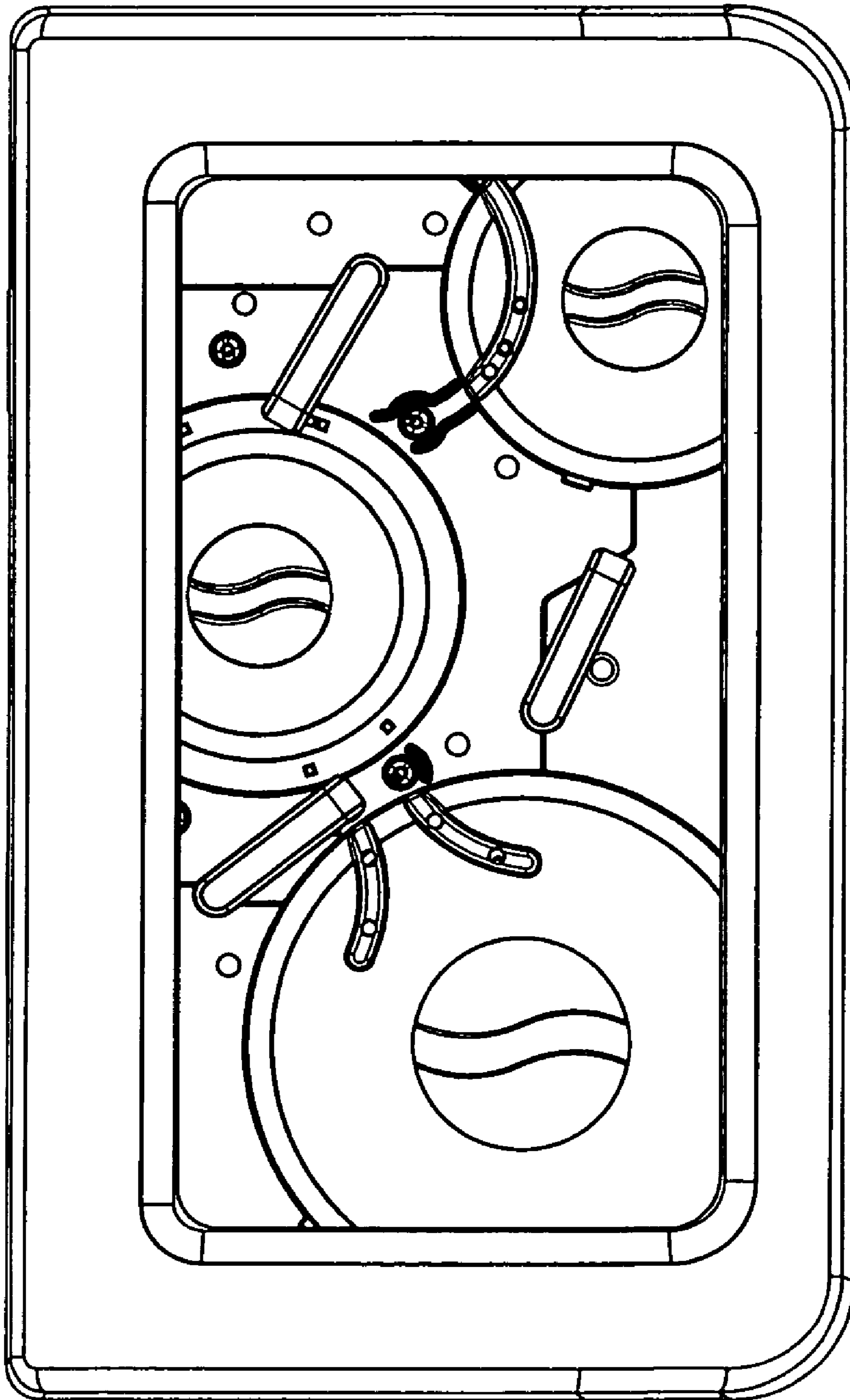


FIG. 7