

US00D560130S

(12) **United States Design Patent** (10) **Patent No.:** **US D560,130 S**
Nagai et al. (45) **Date of Patent:** **** Jan. 22, 2008**

(54) **CLAMP METER**

(75) Inventors: **Akihiro Nagai**, Ueda (JP); **Takao Miyasaka**, Ueda (JP); **Kouichi Tanaka**, Ueda (JP)

(73) Assignee: **Hioki Denki Kabushiki Kaisha**, Ueda-Shi, Nagano (JP)

(**) Term: **14 Years**

(21) Appl. No.: **29/272,411**

(22) Filed: **Feb. 8, 2007**

(30) **Foreign Application Priority Data**

Oct. 5, 2006 (JP) 2006-027041

(51) **LOC (8) Cl.** **10-04**

(52) **U.S. Cl.** **D10/79**

(58) **Field of Classification Search** D10/79;
324/73 R, 127, 129, 133, 149, 126, 128,
324/130, 158 F; 336/175, 212

See application file for complete search history.

(56) **References Cited**

U.S. PATENT DOCUMENTS

D416,820 S * 11/1999 Tanaka et al. D10/79

* cited by examiner

Primary Examiner—Antoine D. Davis

(74) *Attorney, Agent, or Firm*—Manabu Kanesaka

(57) **CLAIM**

The ornamental design for a clamp meter, as shown and described.

DESCRIPTION

FIG. 1 is a perspective view of a clamp meter showing our new design;

FIG. 2 is another perspective view thereof in a state of a display side of the main body opened;

FIG. 3 is a front view thereof;

FIG. 4 is a rear view thereof;

FIG. 5 is a plan view thereof;

FIG. 6 is a bottom view thereof;

FIG. 7 is a left side view thereof;

FIG. 8 is a right side view thereof;

FIG. 9 is a reference perspective view thereof in a state of a clamp portion opened;

FIG. 10 is a reference front view thereof in a state of display elements of the display shown;

FIG. 11 is another front view thereof in a state of the display side of the main body opened;

FIG. 12 is another rear view thereof in a state of the display side of the main body opened;

FIG. 13 is another plan view thereof in a state of the display side of the main body opened;

FIG. 14 is another bottom view thereof in a state of the display side of the main body opened;

FIG. 15 is another left side view thereof in a state of the display side of the main body opened; and,

FIG. 16 is another right side view thereof in a state of the display side of the main body opened.

The broken line showing of indicia is included for the purpose of illustrating non-claimed subject matter and forms no part of the claimed design.

1 Claim, 16 Drawing Sheets

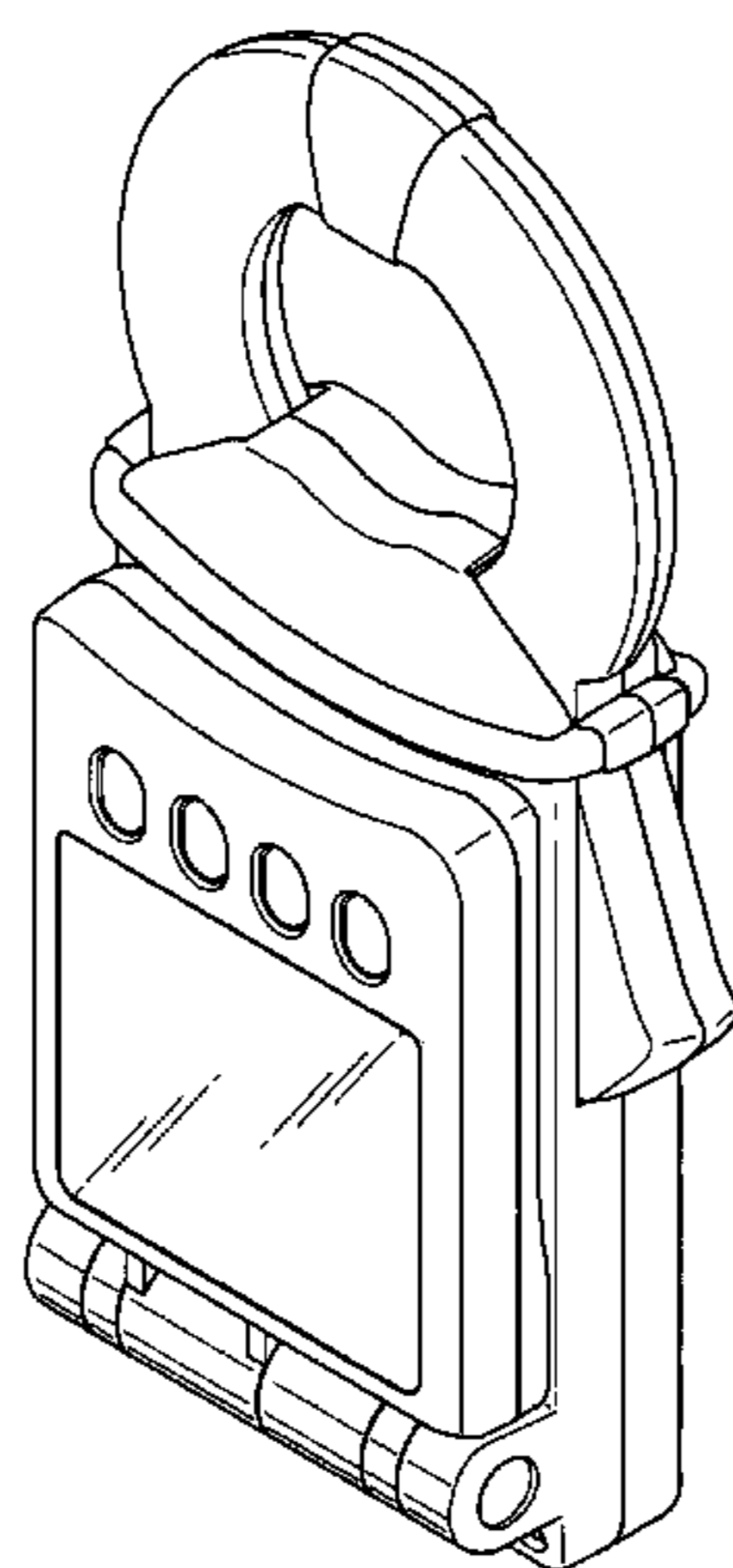


FIG. 1

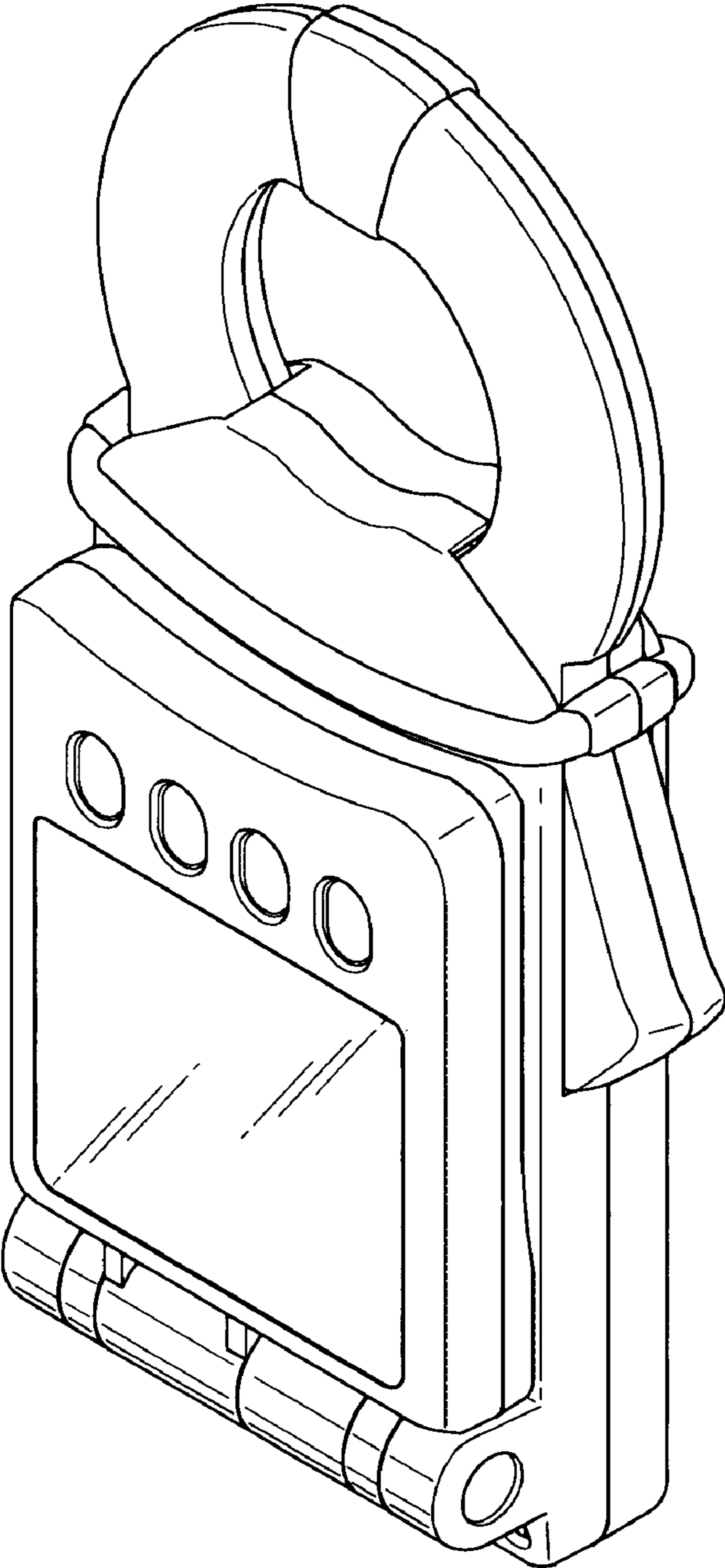


FIG. 2

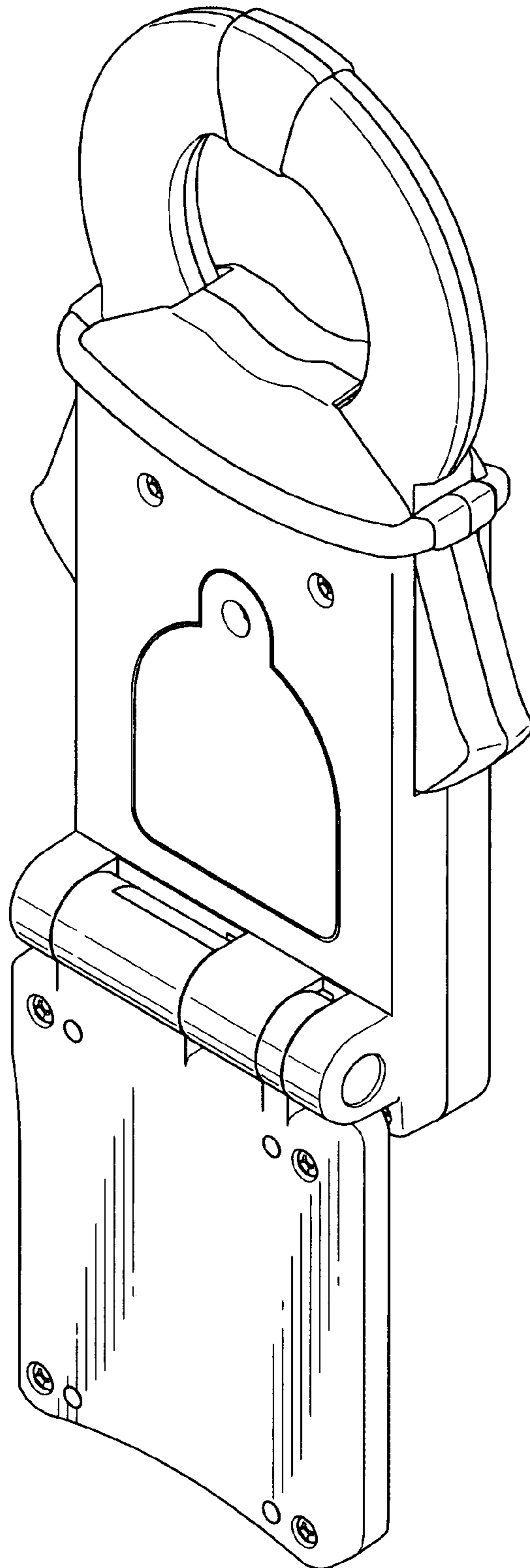


FIG.3

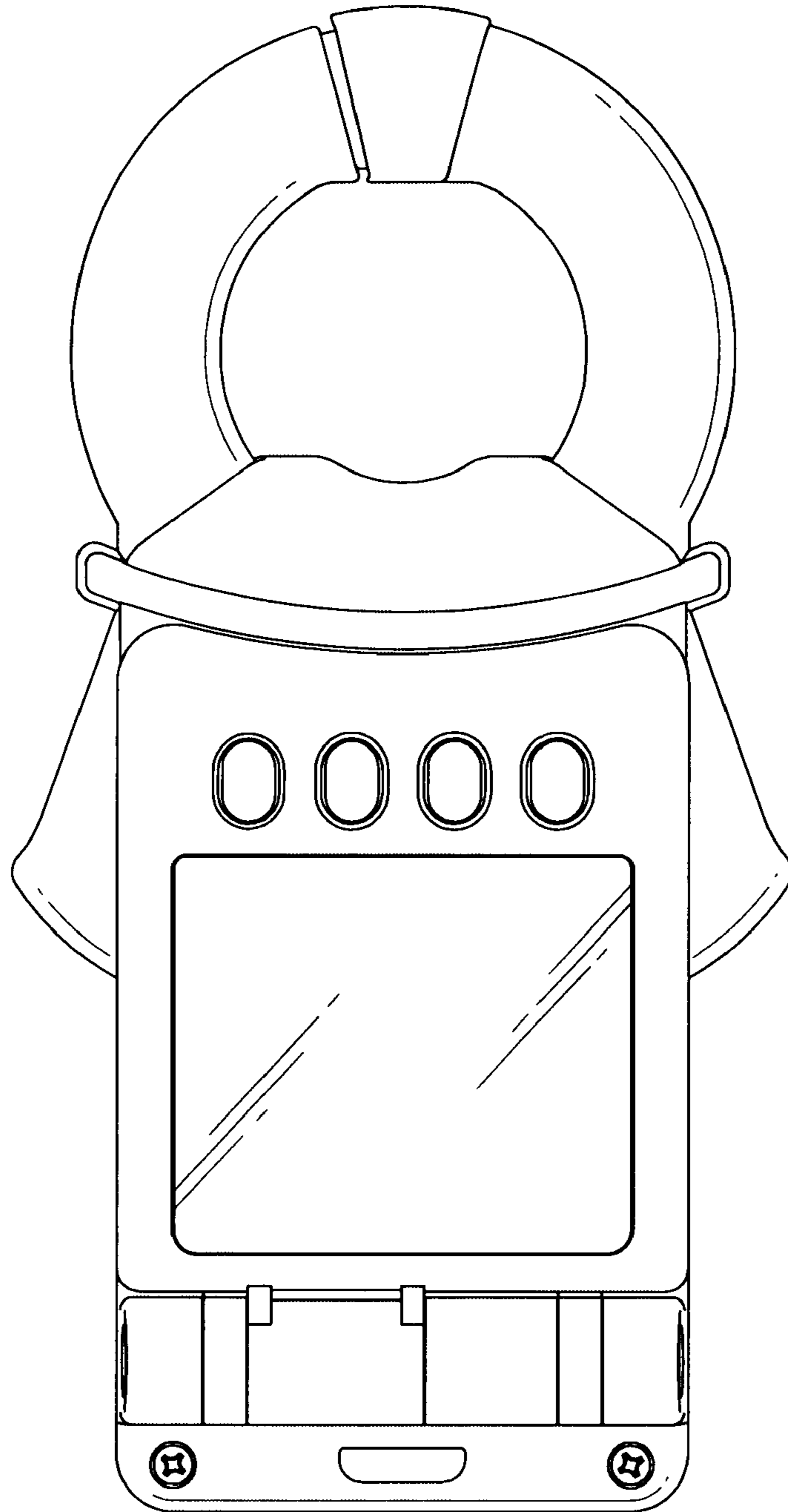


FIG.4

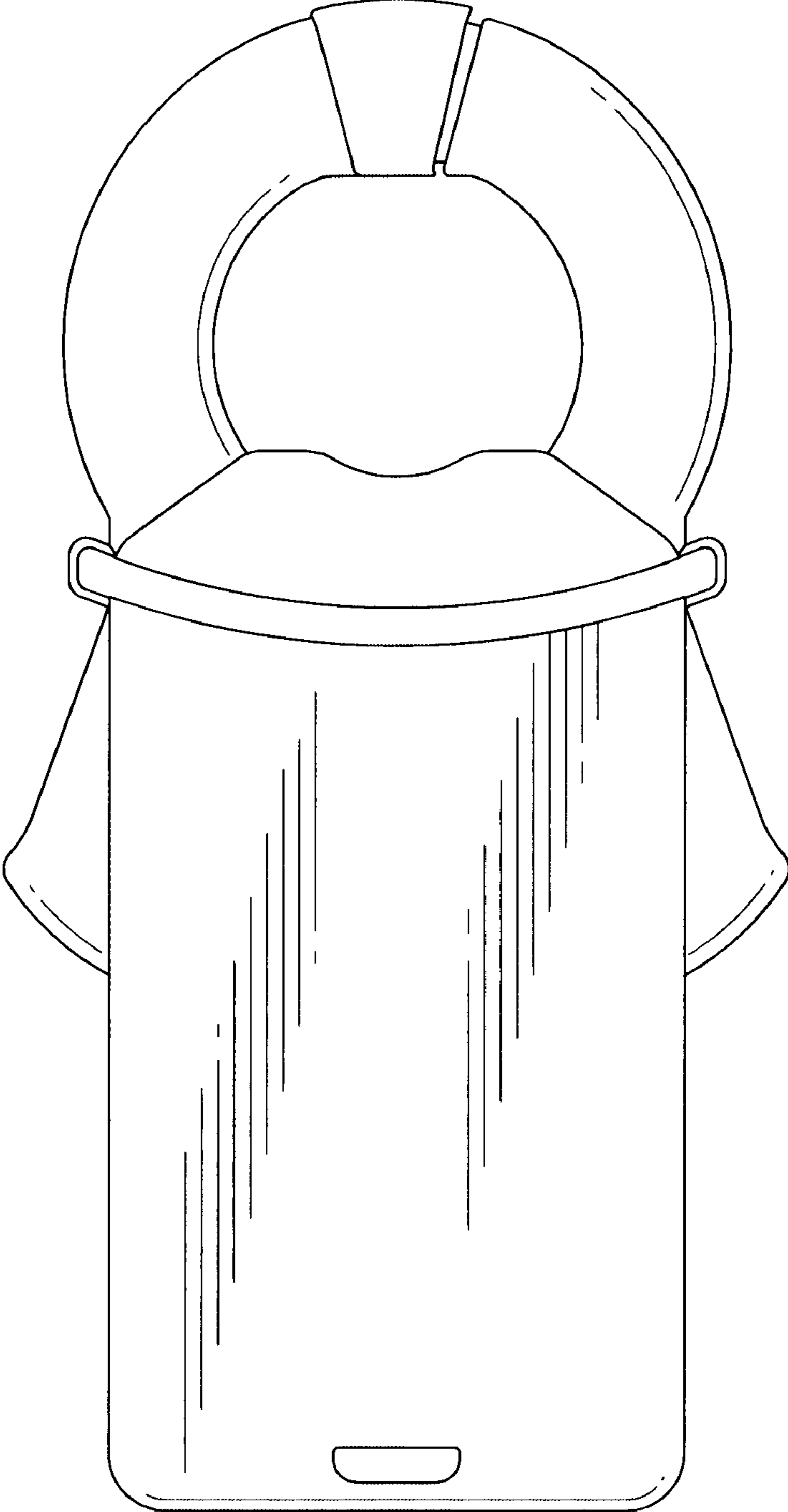


FIG. 5

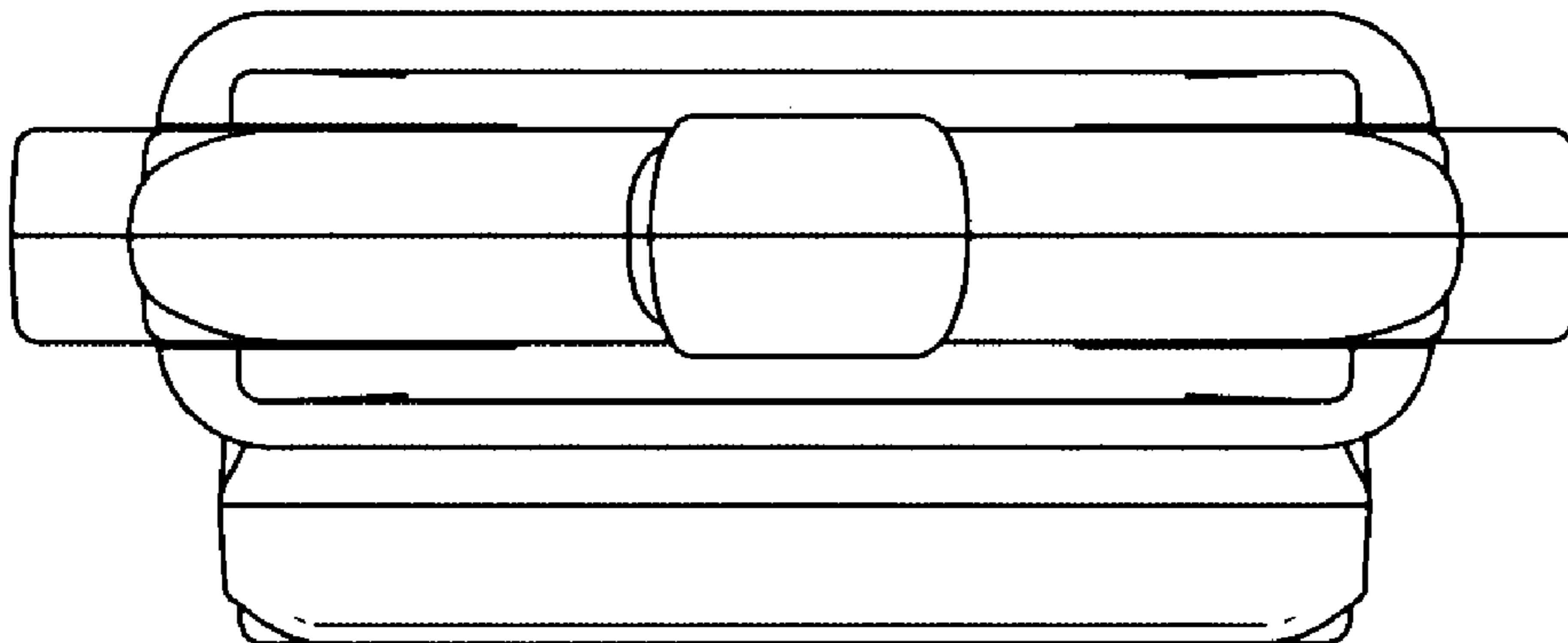


FIG. 6

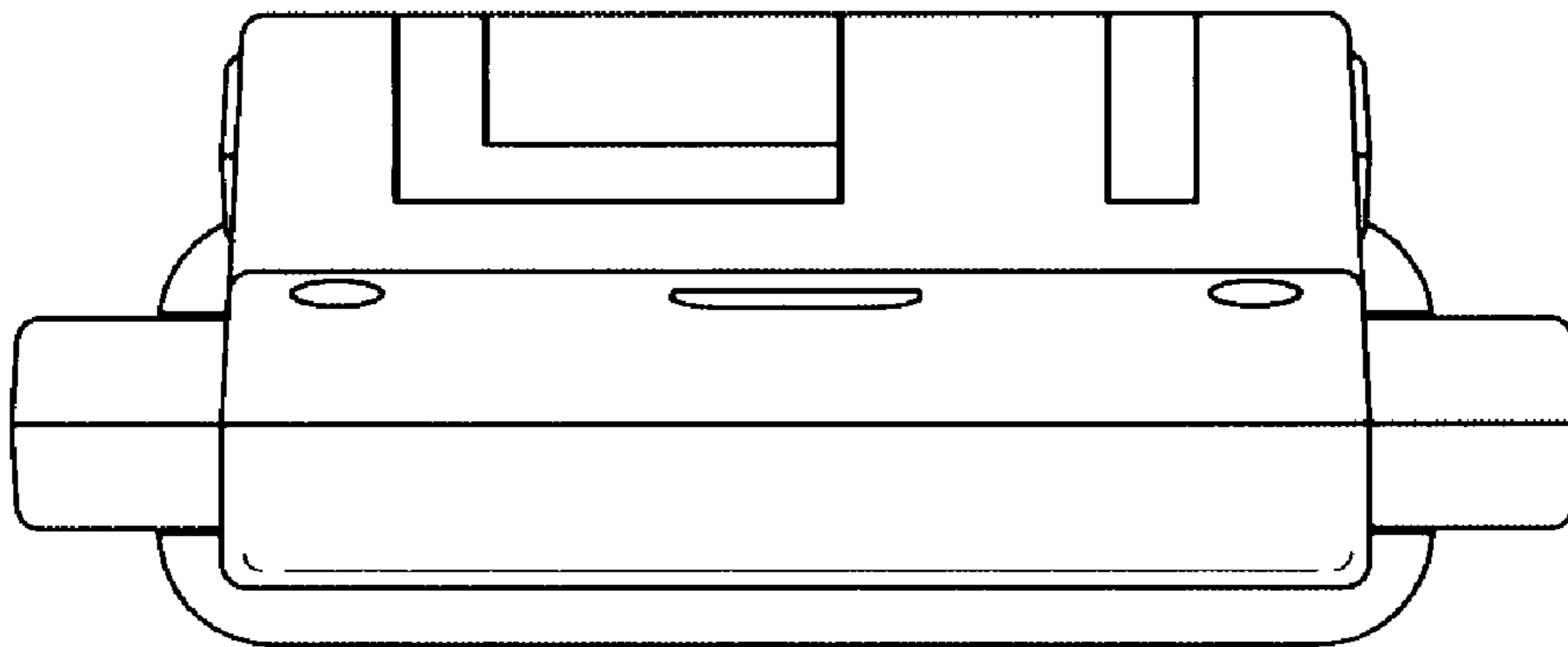


FIG. 7

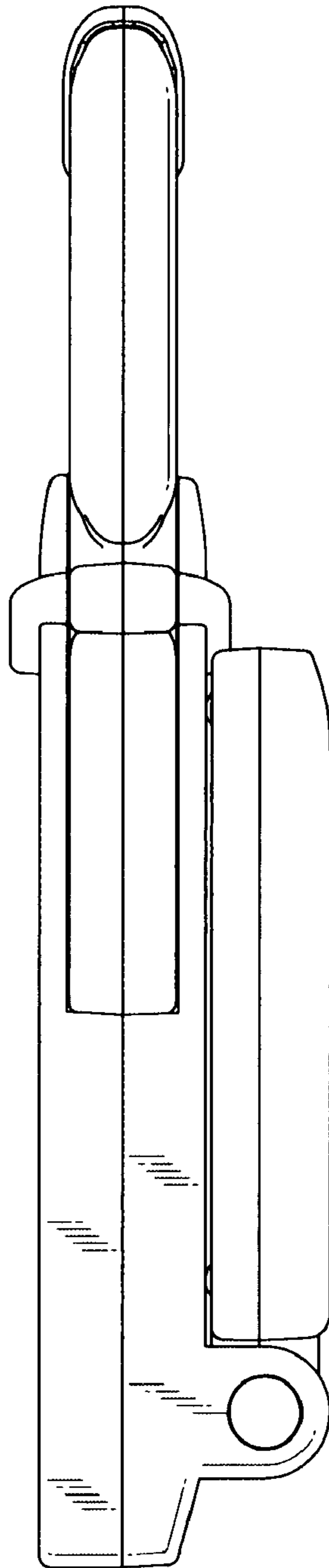


FIG. 8

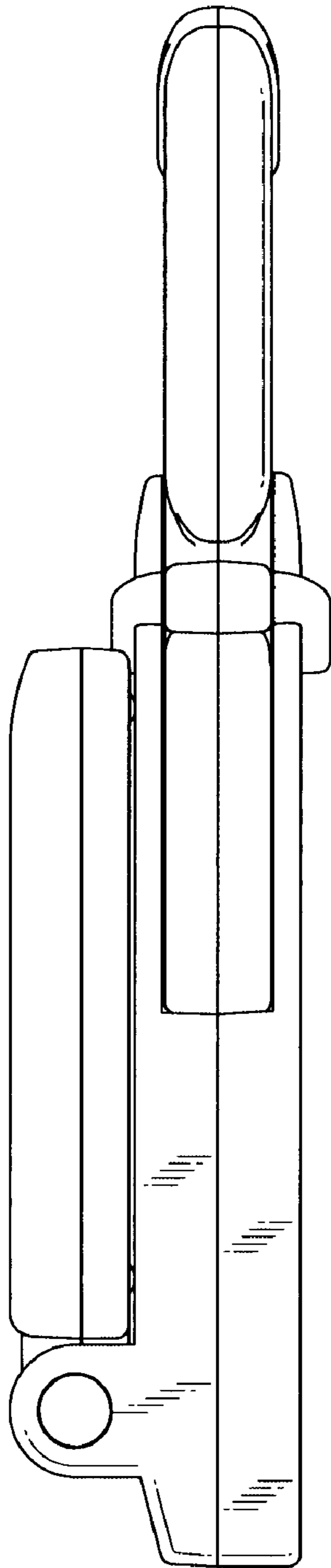


FIG. 9

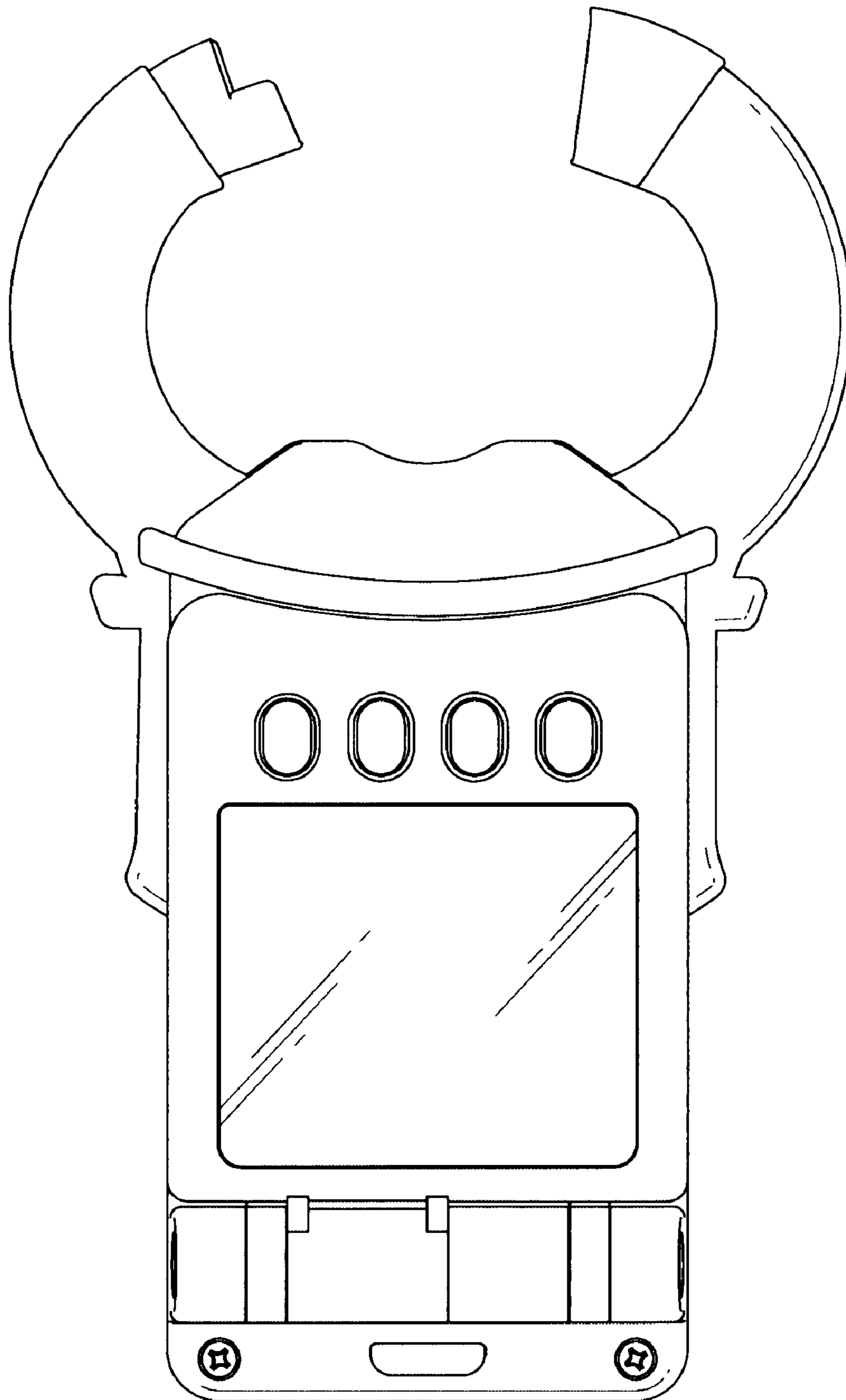


FIG. 10

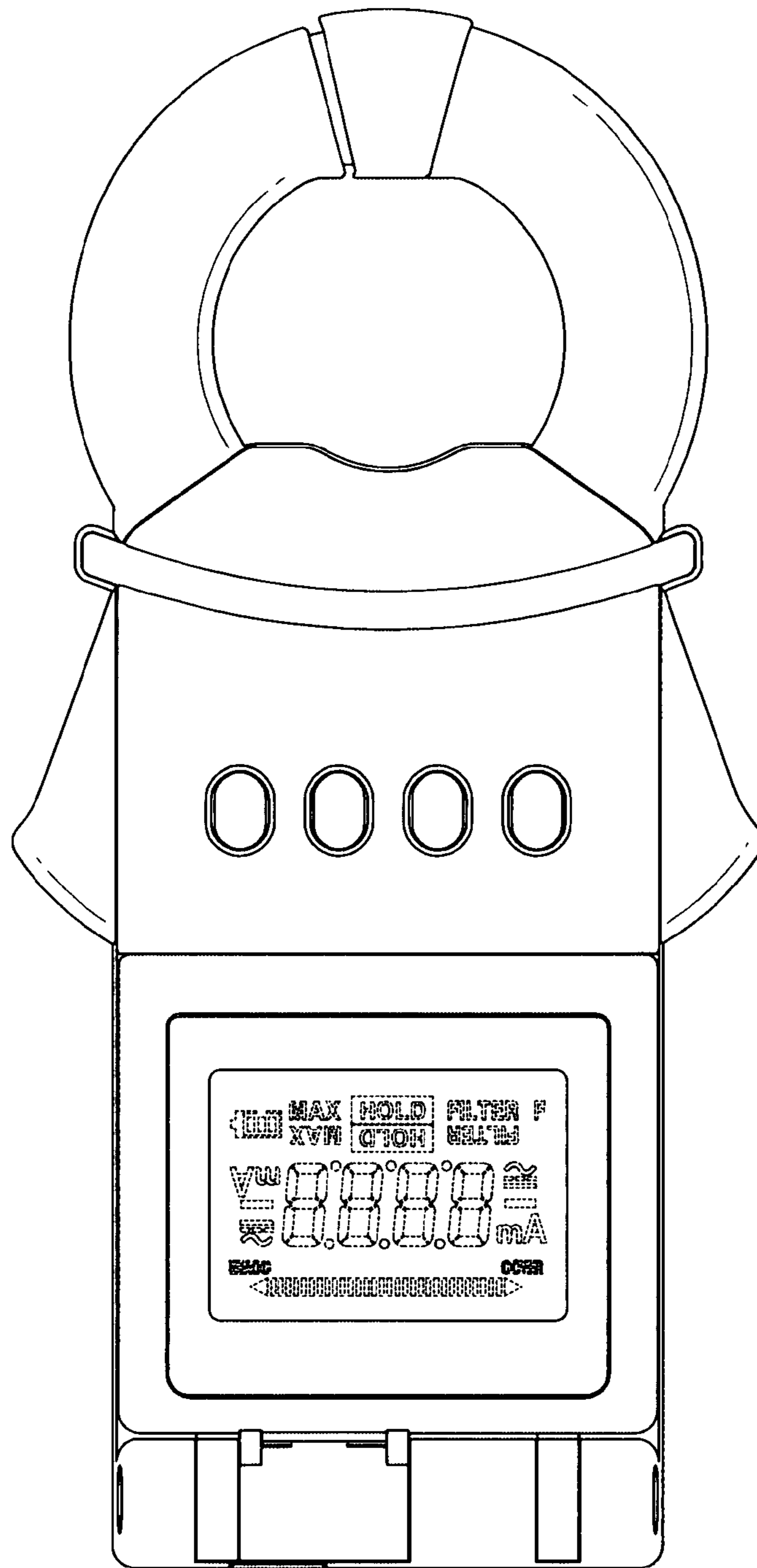


FIG. 11

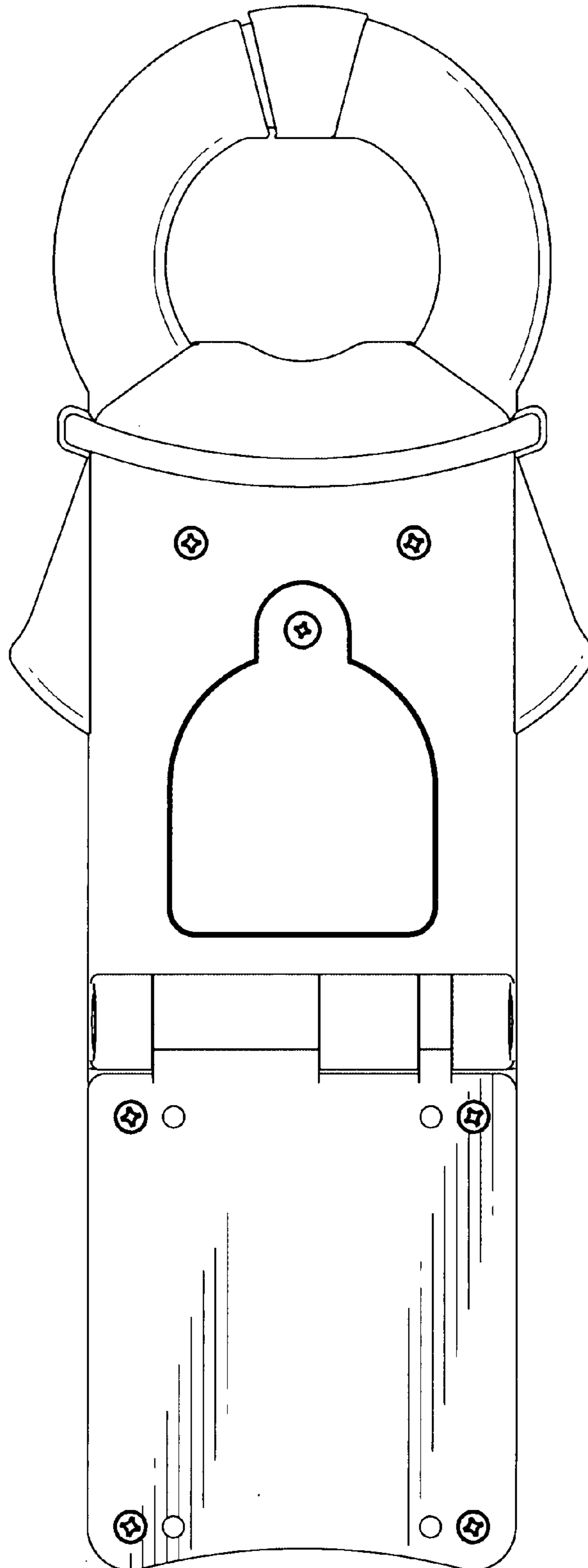


FIG. 12

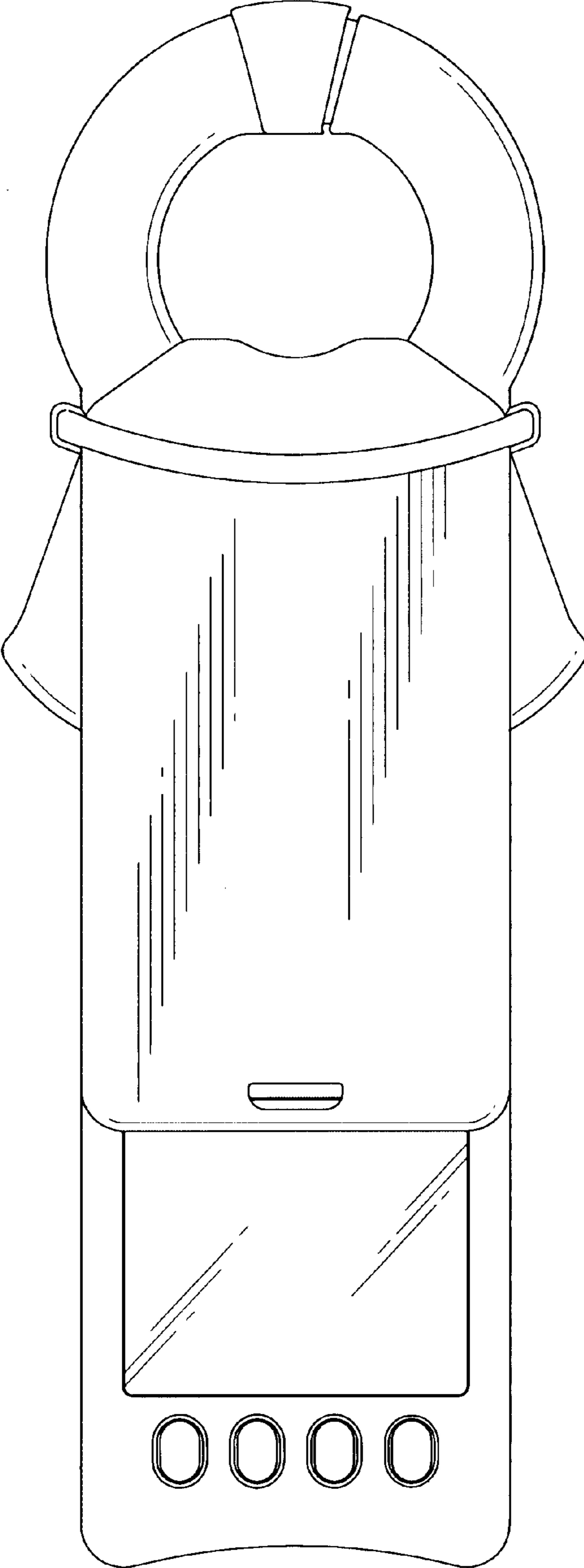


FIG. 13

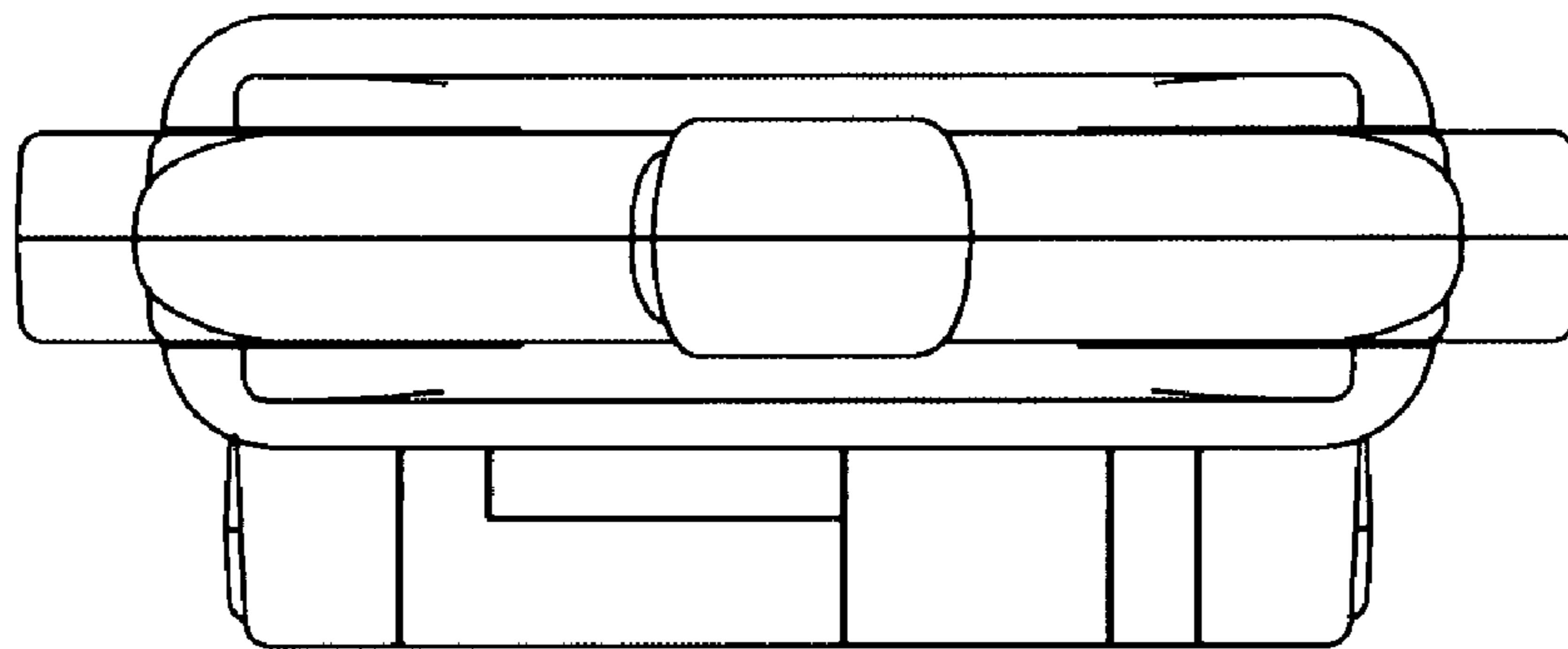


FIG. 14

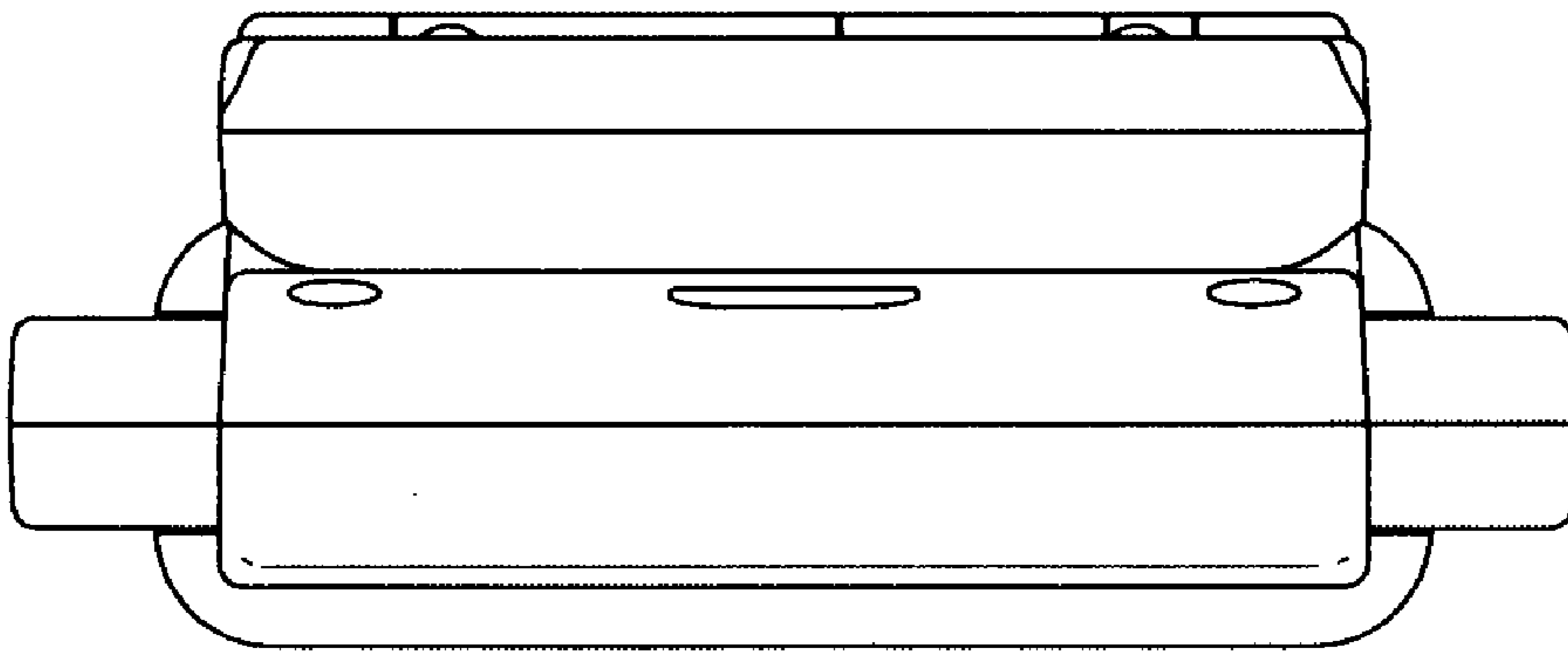


FIG. 15

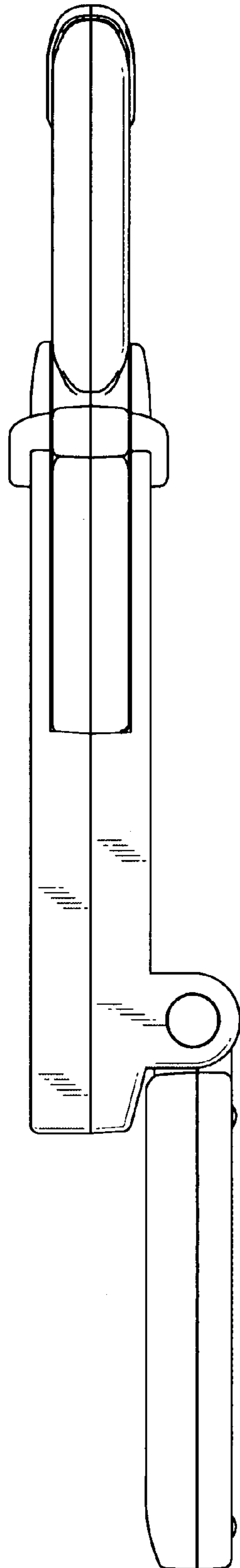


FIG. 16

