

US00D560127S

(12) **United States Design Patent**  
**Elam**

(10) **Patent No.:** **US D560,127 S**  
(45) **Date of Patent:** **\*\* Jan. 22, 2008**

(54) **TAPE MEASURE**

(75) Inventor: **Michael Elam**, London (GB)

(73) Assignee: **Fisco Tools Limited**, Essex (GB)

(\*\*) Term: **14 Years**

(21) Appl. No.: **29/278,722**

(22) Filed: **Apr. 6, 2007**

(30) **Foreign Application Priority Data**

Oct. 6, 2006 (EM) ..... 000605126

(51) **LOC (8) Cl.** ..... **10-04**

(52) **U.S. Cl.** ..... **D10/72**

(58) **Field of Classification Search** ..... D10/72;  
33/755-771; 242/292, 381.1, 381.2-381.6  
See application file for complete search history.

(56) **References Cited**

**U.S. PATENT DOCUMENTS**

6,732,965 B2 \* 5/2004 Bascue, Jr. .... 242/304  
D524,666 S \* 7/2006 Huang ..... D10/72

**OTHER PUBLICATIONS**

U.S. Appl. No. 29/247,763, filed Jul. 10, 2006, Michael Elam.  
\* cited by examiner

*Primary Examiner*—Antoine D. Davis  
(74) *Attorney, Agent, or Firm*—Sterne, Kessler, Goldstein & Fox P.L.L.C.

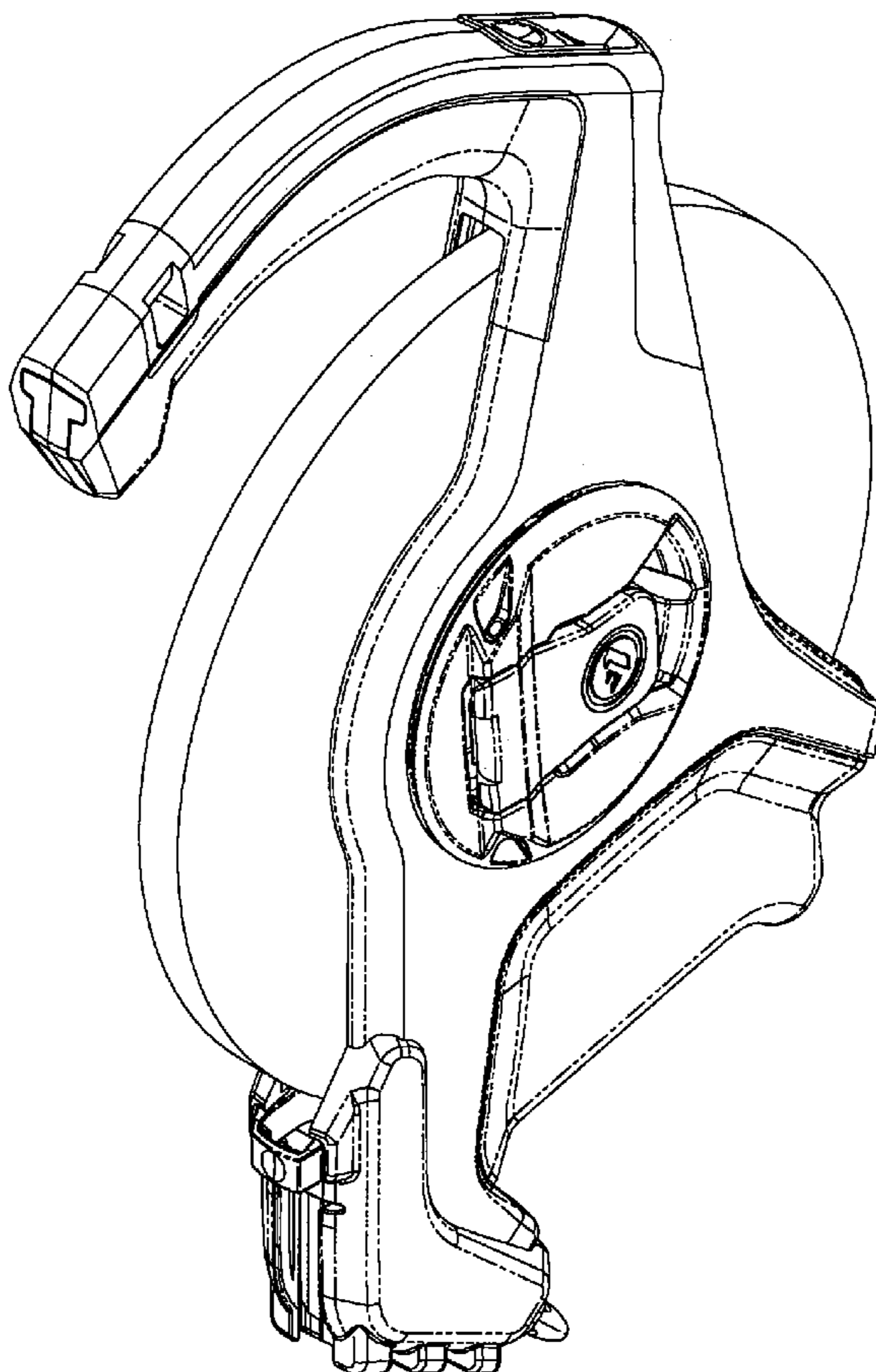
(57) **CLAIM**

The ornamental design for a tape measure, as shown and described.

**DESCRIPTION**

FIG. 1 is a perspective view of a tape measure showing my new design;  
FIG. 2 is a front view thereof;  
FIG. 3 is a side view thereof;  
FIG. 4 is another side view thereof;  
FIG. 5 is top plan view thereof;  
FIG. 6 is a bottom view thereof; and,  
FIG. 7 is a perspective view of another embodiment of the present invention.

**1 Claim, 6 Drawing Sheets**



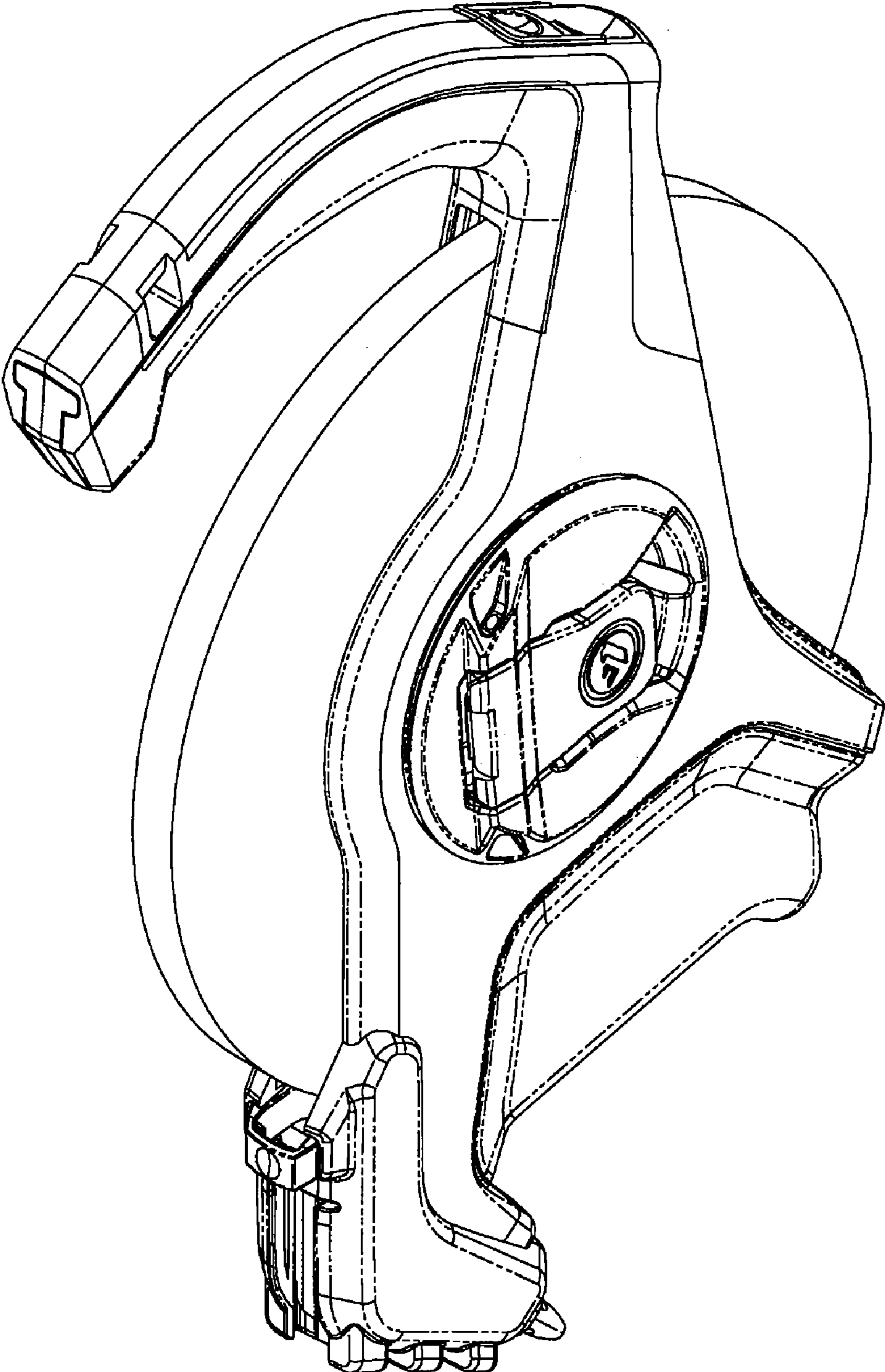


FIG. 1

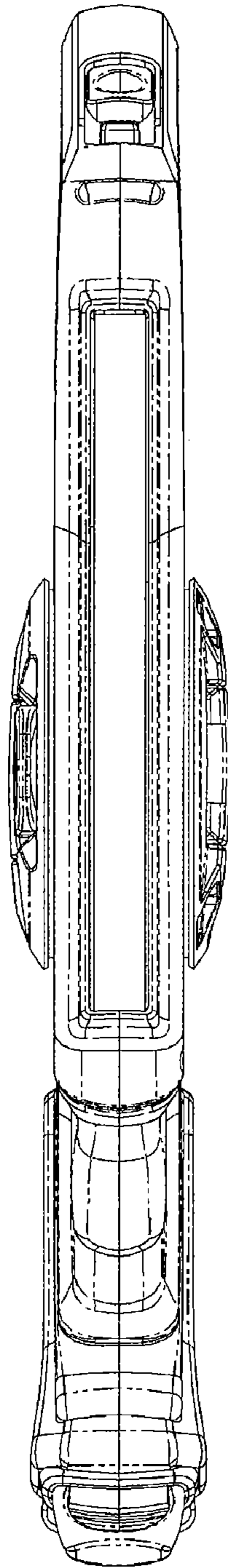


FIG. 2

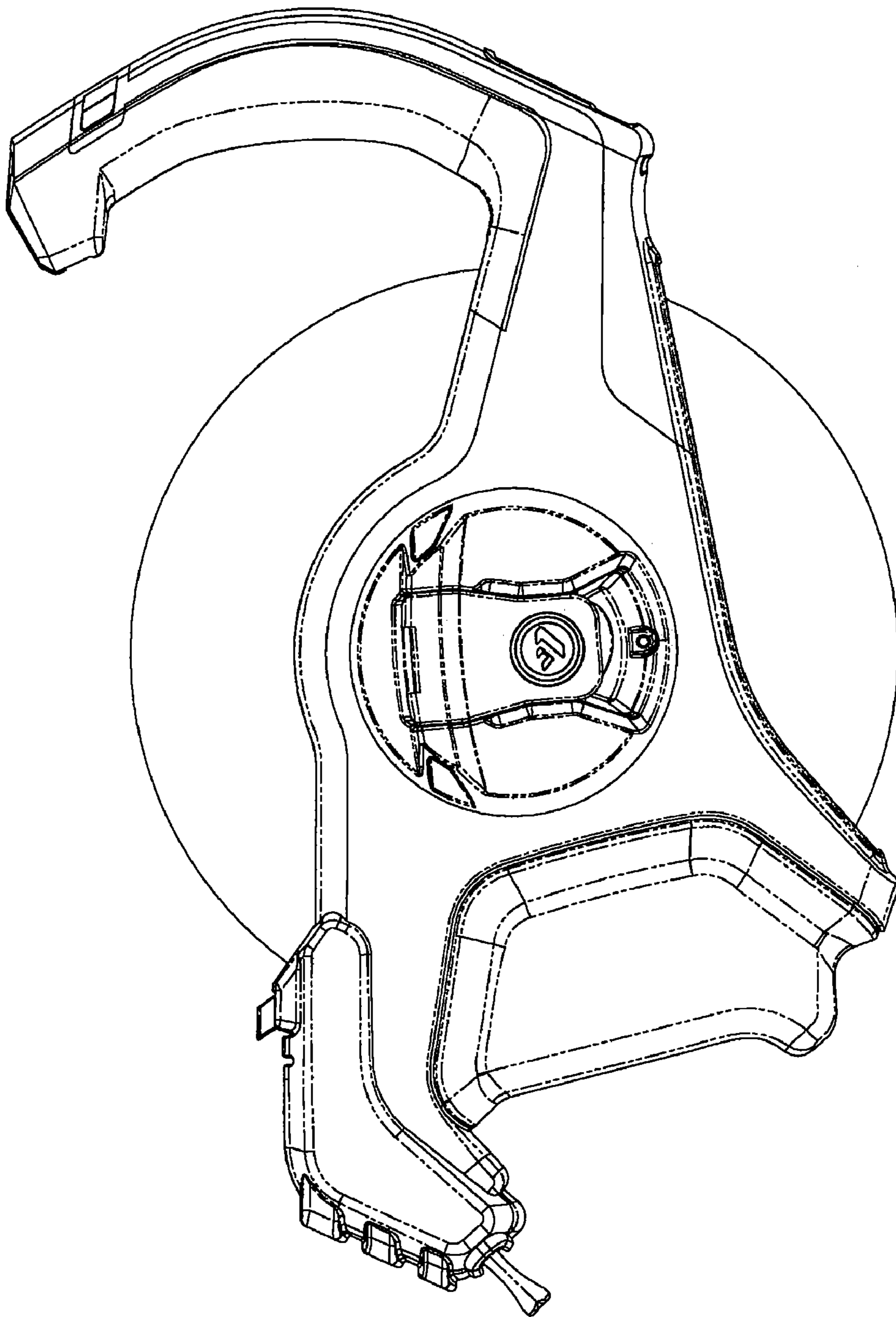


FIG. 3

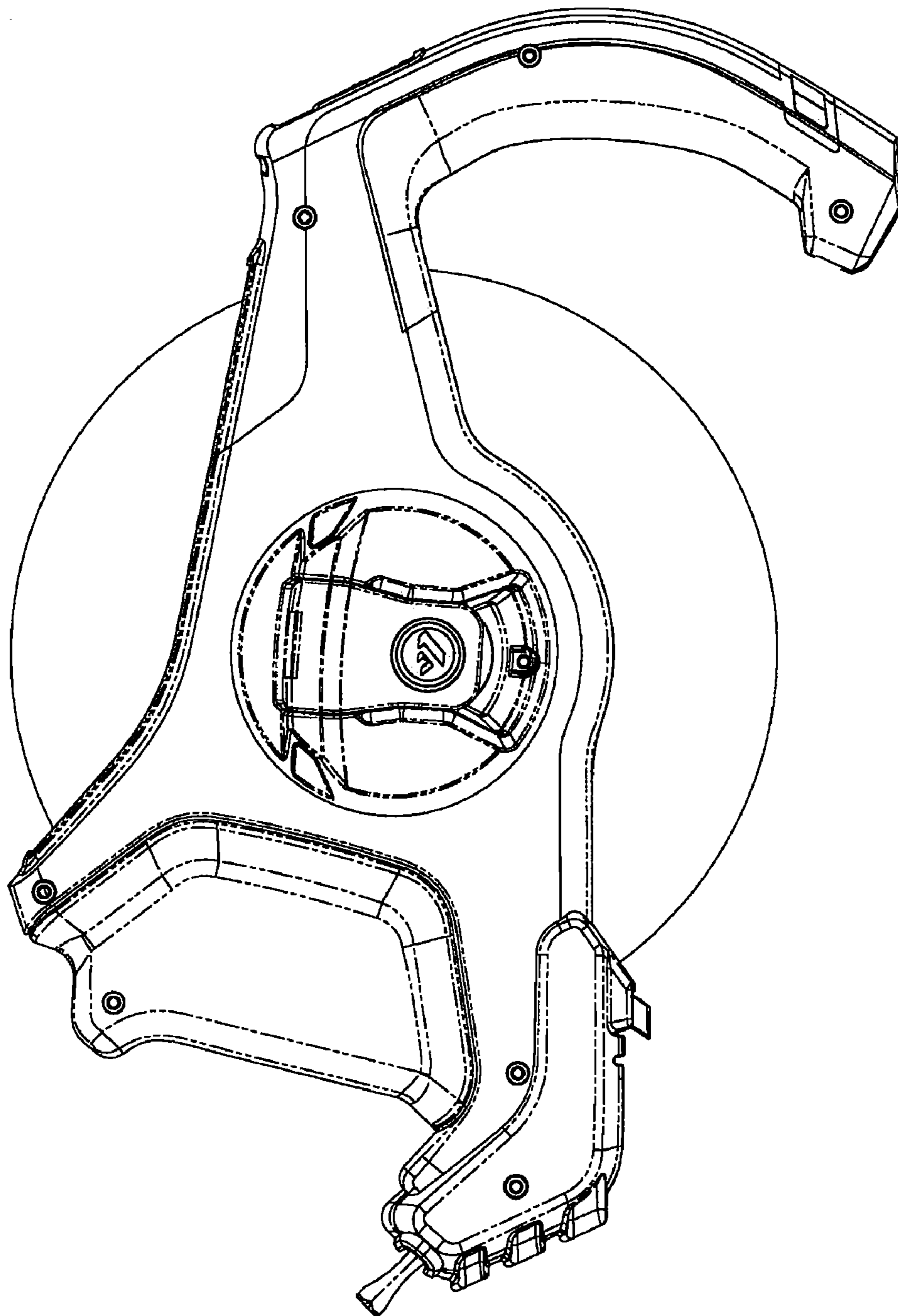


FIG. 4

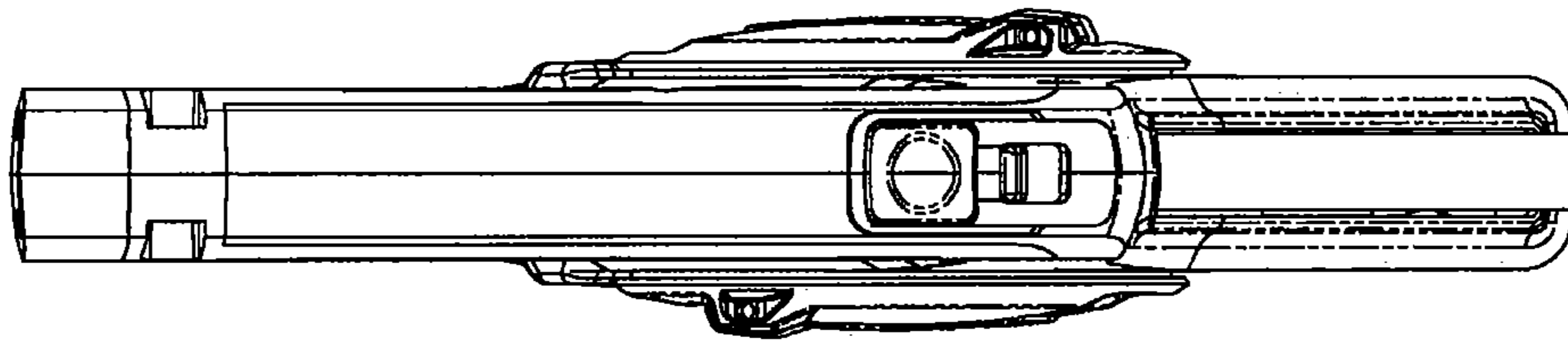


FIG. 5

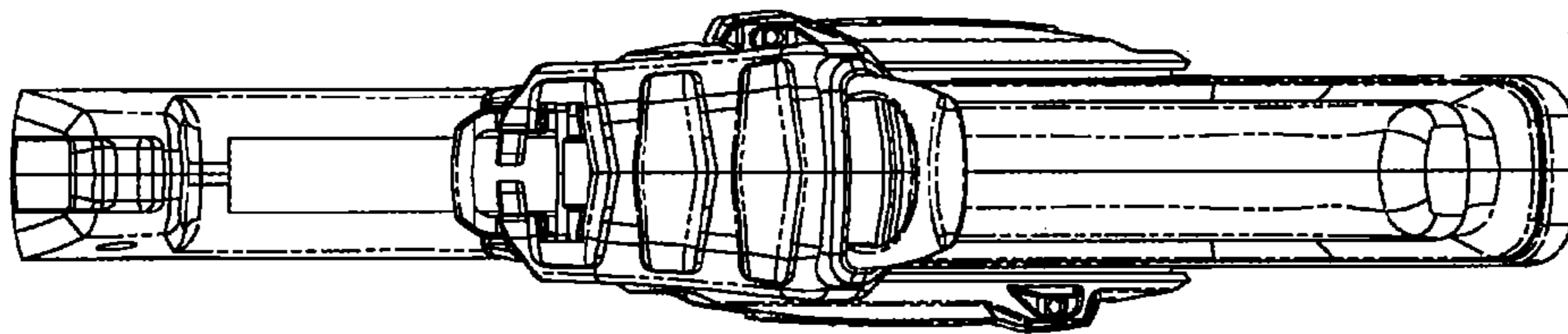


FIG. 6

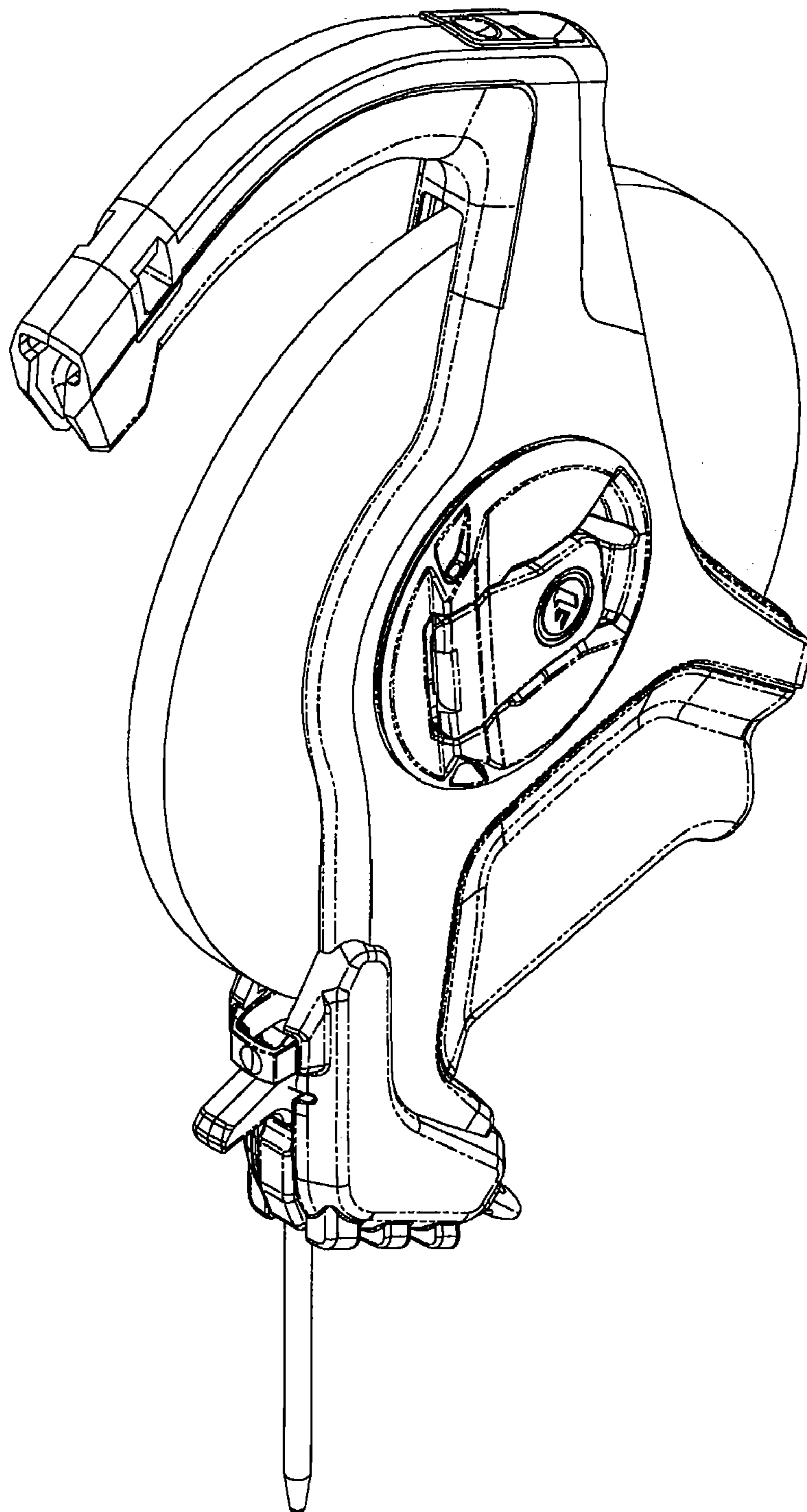


FIG. 7