



US00D560125S

(12) **United States Design Patent**
Choi

(10) **Patent No.:** **US D560,125 S**
(45) **Date of Patent:** **** Jan. 22, 2008**

(54) **WEATHER STATION**

D498,150 S * 11/2004 Chan D10/53
D525,885 S * 8/2006 Pinson D10/55

(75) Inventor: **Wai Bun Choi**, Chai Wan (HK)

(73) Assignee: **OneWorld Enterprises Limited**,
Kowloon (HK)

* cited by examiner

(**) Term: **14 Years**

Primary Examiner—Antoine D. Davis

(21) Appl. No.: **29/261,943**

(74) *Attorney, Agent, or Firm*—Buchanan Ingersoll &
Rooney PC

(22) Filed: **Jun. 23, 2006**

(57) **CLAIM**

The ornamental design for a “weather station”, as shown and
described.

(30) **Foreign Application Priority Data**

Dec. 28, 2005 (HK) 0503148

DESCRIPTION

(51) **LOC (8) Cl.** **10-04**

FIG. 1 is a front view of a “weather station” incorporating
my design;

(52) **U.S. Cl.** **D10/53**

FIG. 2 is a rear view thereof;

(58) **Field of Classification Search** D10/51–56;
68/10; 73/170.16; 368/10, 73, 223, 251,
368/63, 82, 11; 340/539, 601; 374/162,
374/201, 202, 208, 209

FIG. 3 is a left side view thereof;

See application file for complete search history.

FIG. 4 is a right side view thereof;

FIG. 5 is a top view thereof;

(56) **References Cited**

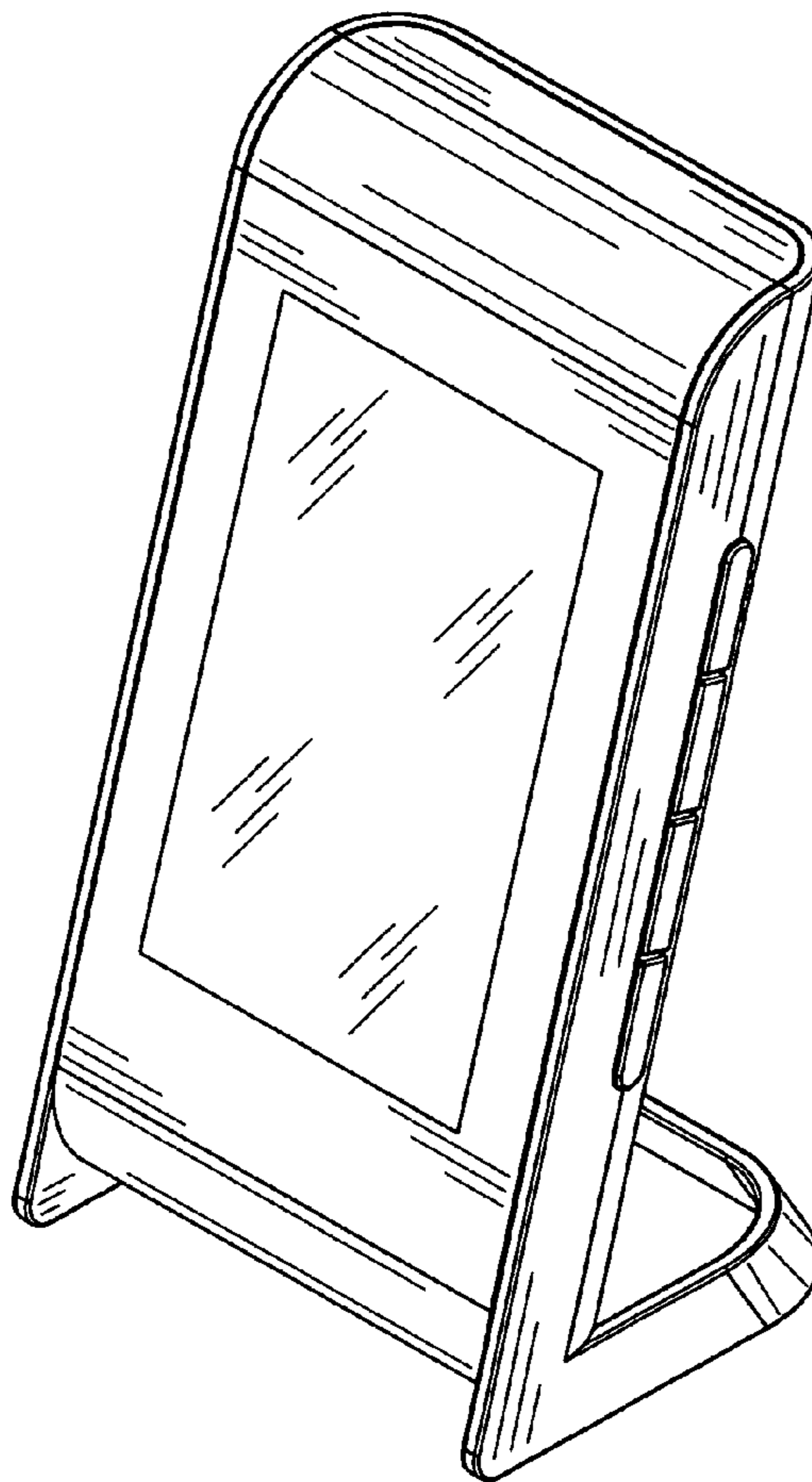
FIG. 6 is a bottom view thereof; and,

FIG. 7 is a perspective view thereof.

U.S. PATENT DOCUMENTS

D447,706 S * 9/2001 Bjørn D10/53

1 Claim, 3 Drawing Sheets



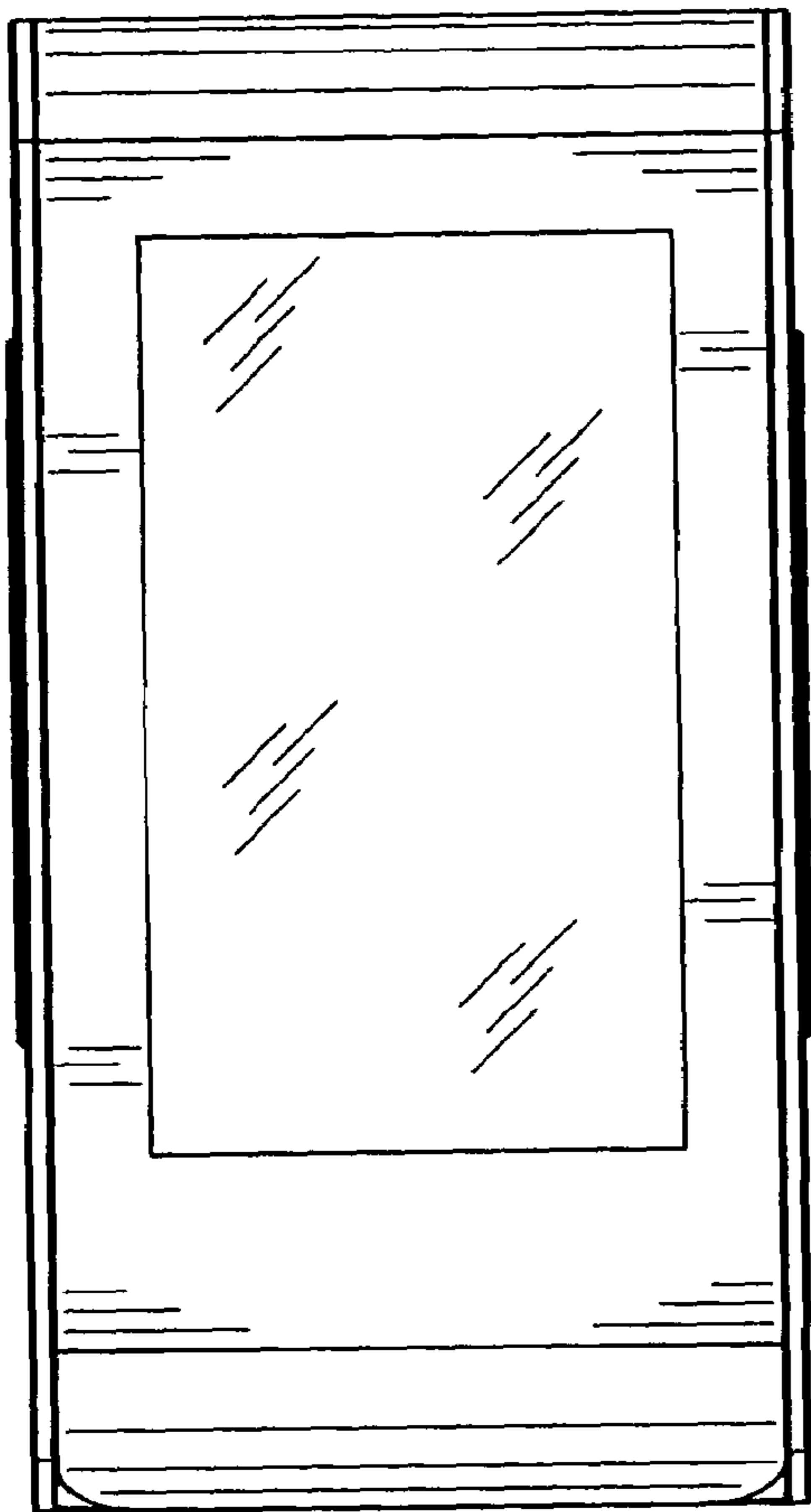


Fig. 1

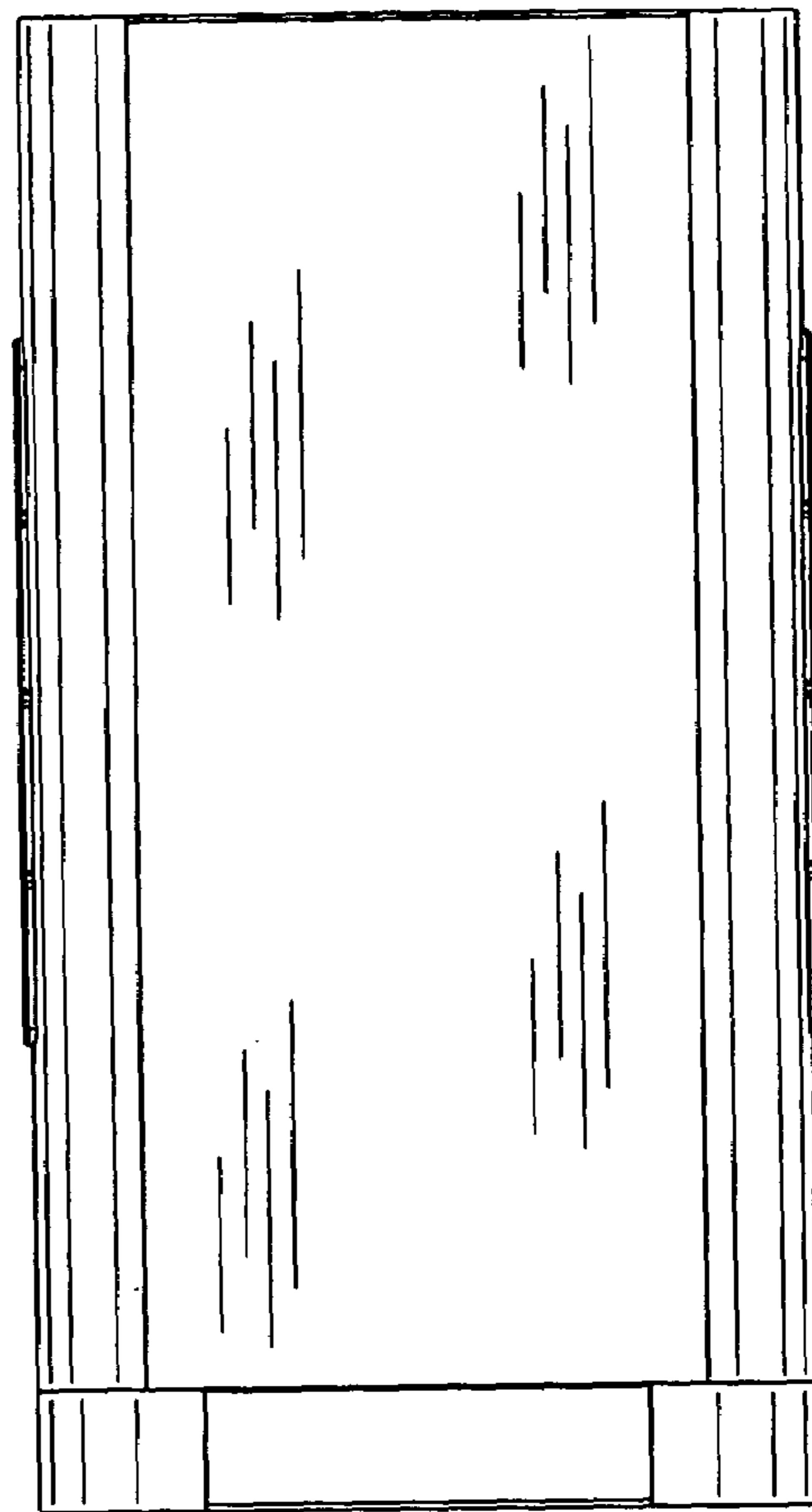


Fig. 2

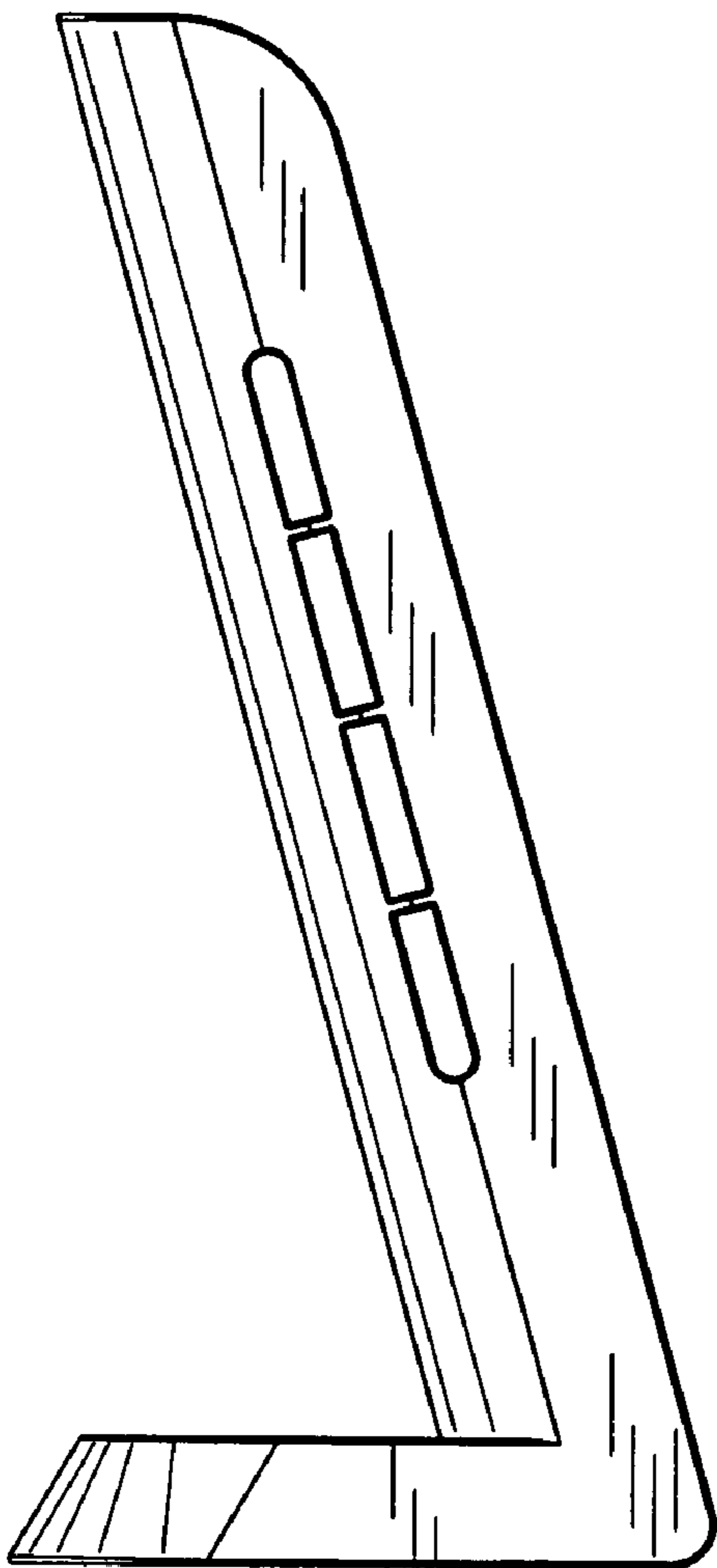


Fig. 3

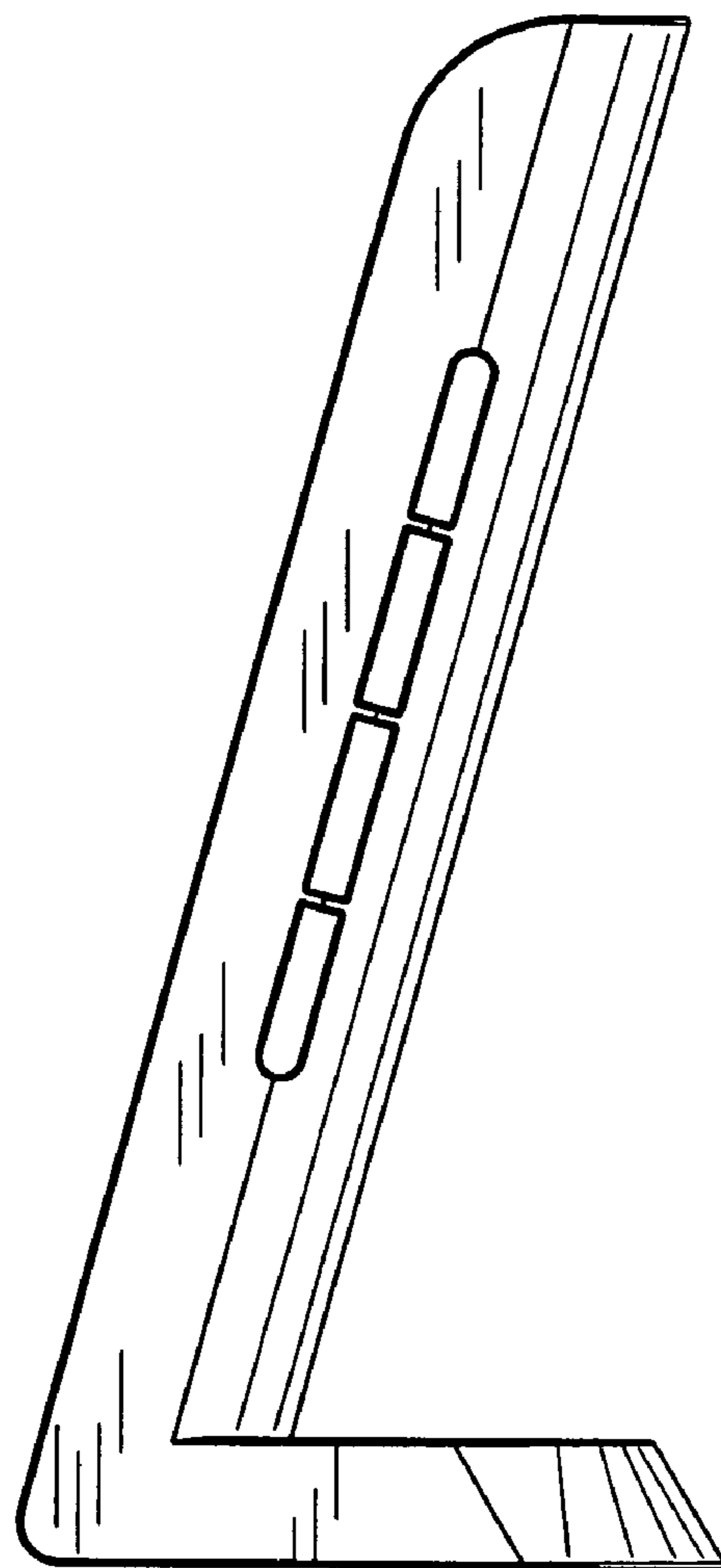


Fig. 4

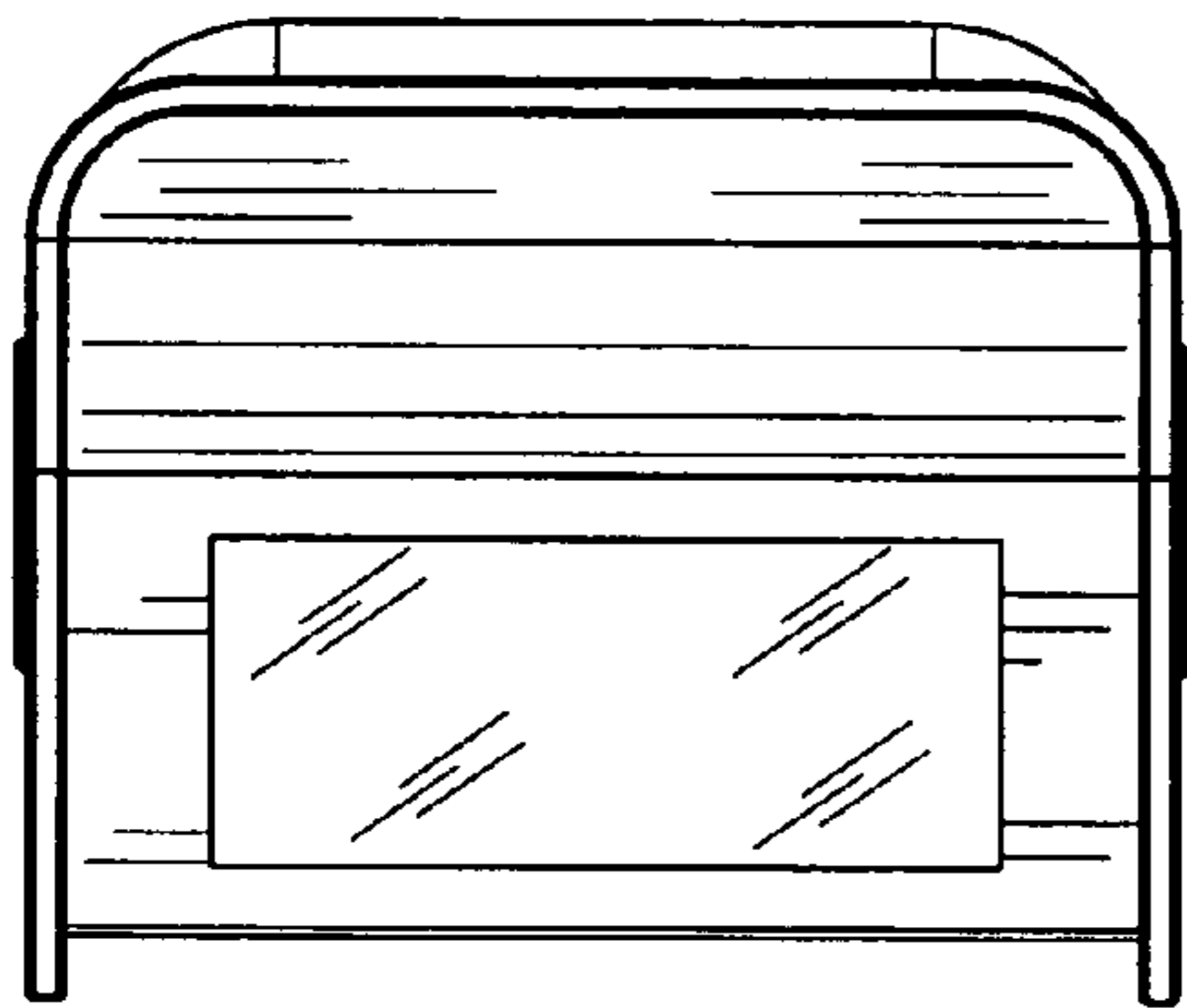


Fig. 5

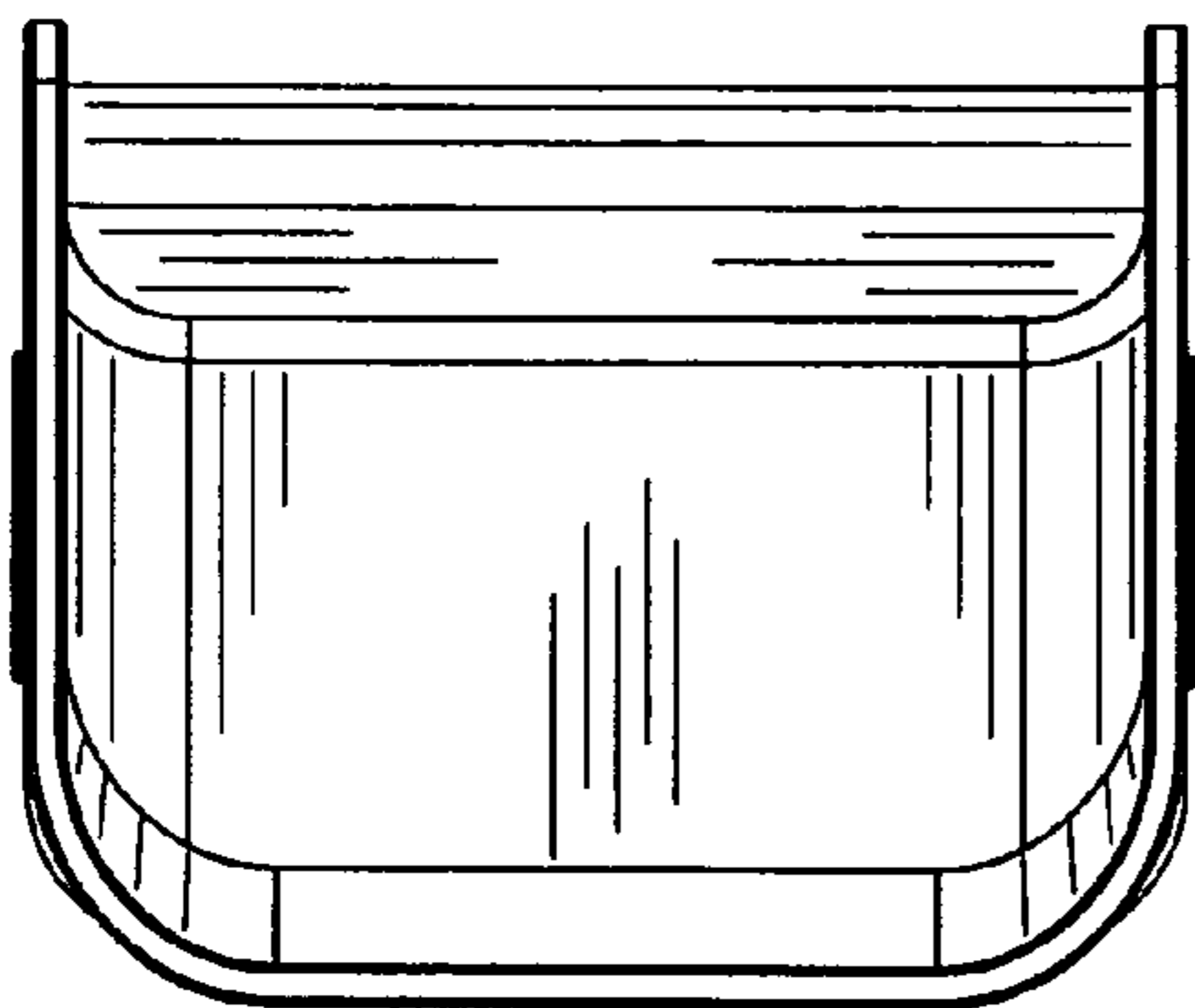


Fig. 6

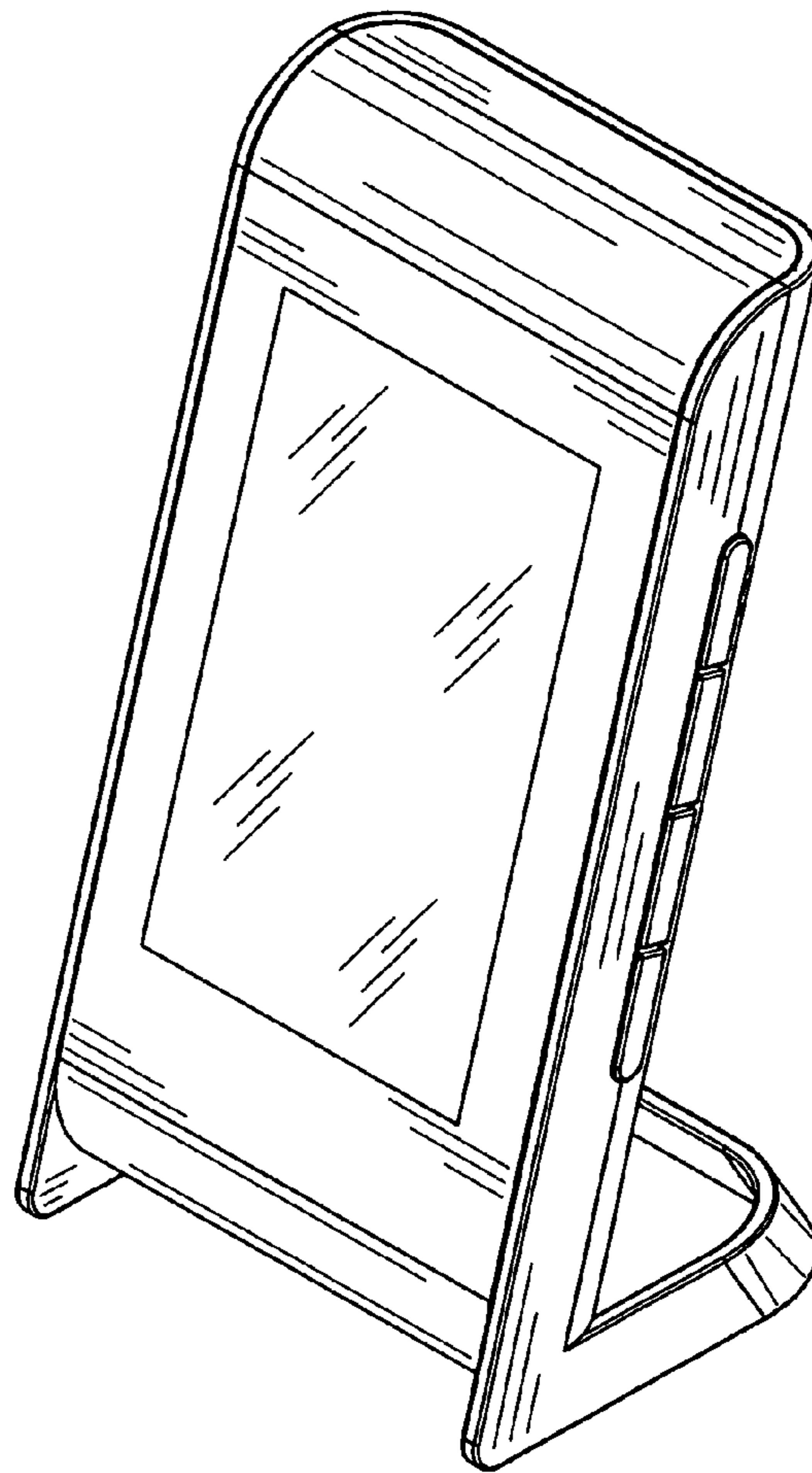


Fig. 7