

US00D560121S

(12) **United States Design Patent**
Coltrin et al.

(10) **Patent No.:** **US D560,121 S**

(45) **Date of Patent:** **** Jan. 22, 2008**

(54) **DRINK CONTAINER**

(75) Inventors: **Amy Coltrin**, Irvine, CA (US); **Paul Sestak**, Irvine, CA (US)

(73) Assignee: **Golden State Foods Corporation**, Irvine, CA (US)

(**) Term: **14 Years**

(21) Appl. No.: **29/242,457**

(22) Filed: **Nov. 10, 2005**

(51) **LOC (8) Cl.** **09-01**

(52) **U.S. Cl.** **D9/502**

(58) **Field of Classification Search** D9/500,
D9/502, 503, 516, 530, 537, 538, 539, 549,
D9/556, 557, 558; 215/379, 380, 381, 382,
215/383; 220/660, 661, 669, 675

See application file for complete search history.

(56) **References Cited**

U.S. PATENT DOCUMENTS

D42,441 S	*	4/1912	Sanford	D7/597
D106,452 S	*	10/1937	Renken	D9/502
D107,261 S	*	11/1937	Runnels	D9/550
D190,141 S	*	4/1961	Fuerst et al.	D9/502
D258,565 S	*	3/1981	Sekiguchi	D9/556
D306,967 S	*	4/1990	Matsuura et al.	D9/502

D327,005 S	*	6/1992	Beeman	D9/500
D379,760 S	*	6/1997	Zogg	D9/502
D379,762 S	*	6/1997	Zogg	D9/502
D384,889 S	*	10/1997	Nasrallah	D9/500
D423,363 S	*	4/2000	Loughnane	D9/529
D469,697 S	*	2/2003	Herrin et al.	D9/539
D485,474 S	*	1/2004	Wong	D7/665

* cited by examiner

Primary Examiner—Ian Simmons

Assistant Examiner—Dana L Sipos

(74) *Attorney, Agent, or Firm*—Pillsbury Winthrop Shaw Pittman LLP

(57) **CLAIM**

I claim the ornamental design for a drink container, as shown and described.

DESCRIPTION

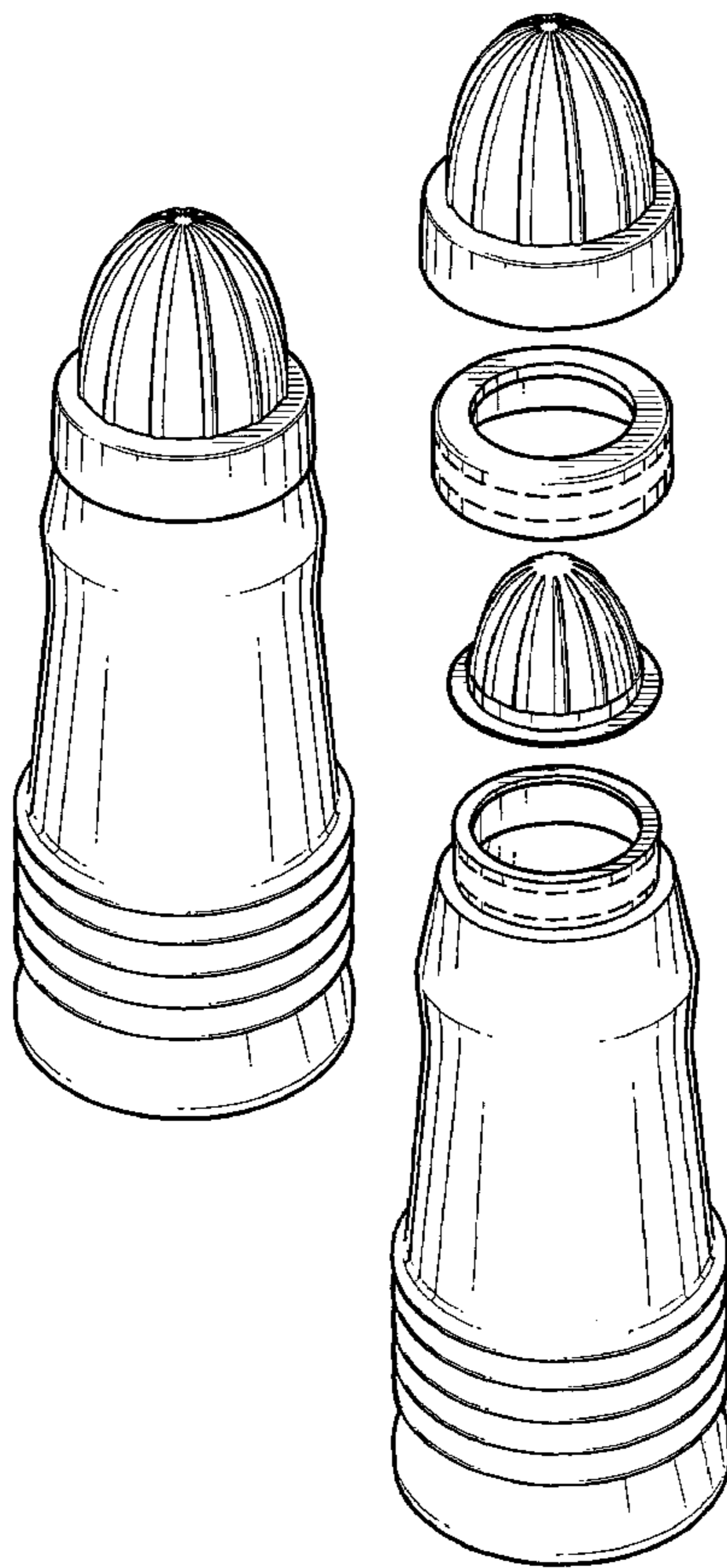
FIG. 1 is a top perspective of a drink container showing my new design;

FIG. 2 is a fully exploded, top perspective view thereof; and,

FIG. 3 is a partial exploded, top perspective view thereof.

The broken lines shown in the drawings are for illustrative purposes only and form no part of the claimed design.

1 Claim, 3 Drawing Sheets



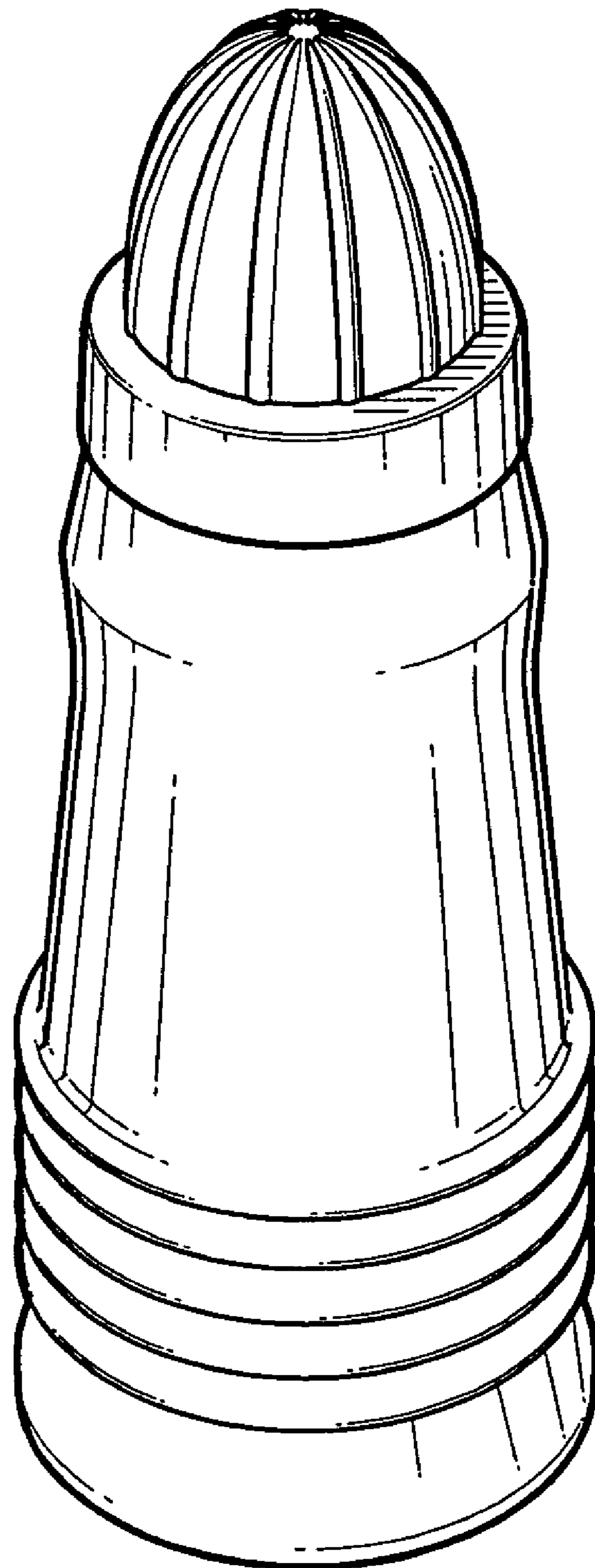


FIG. 1

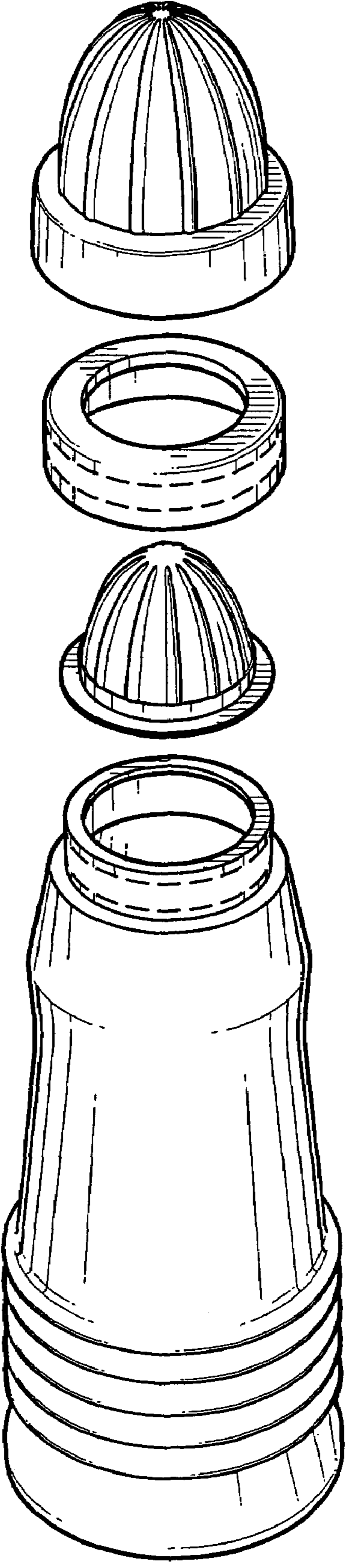


FIG. 2

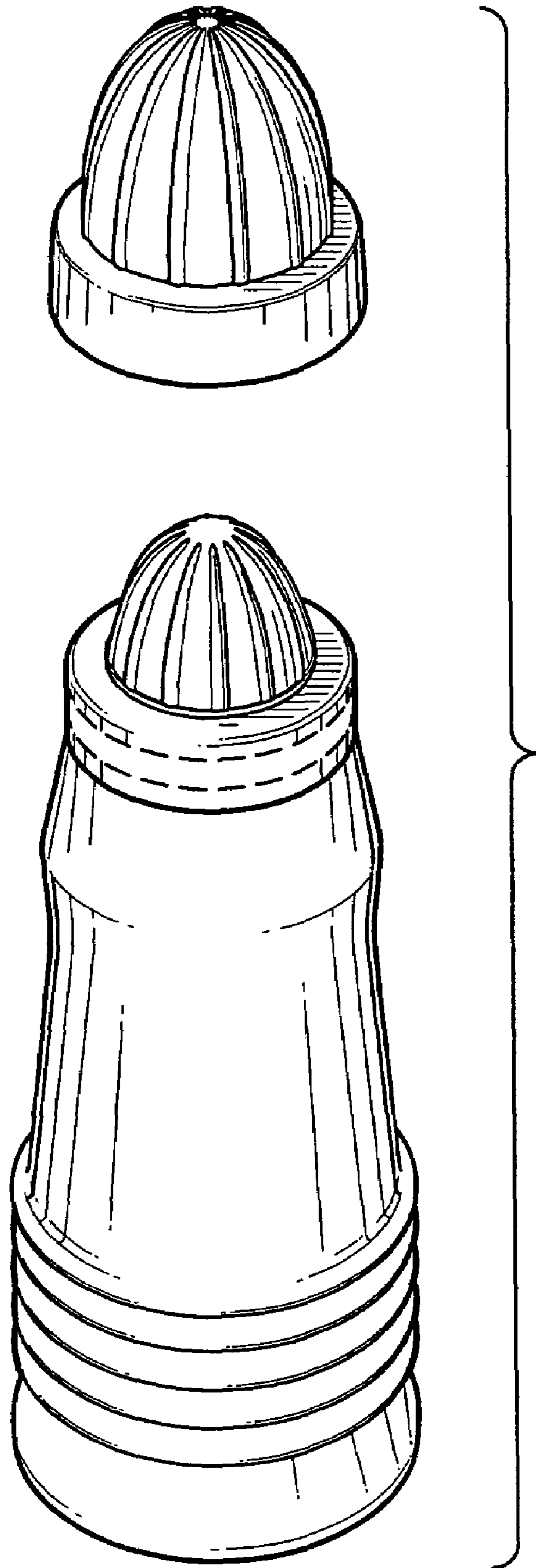


FIG.3