



US00D560119S

(12) **United States Design Patent** (10) **Patent No.:** **US D560,119 S**  
**Bloc** (45) **Date of Patent:** **\*\* Jan. 22, 2008**

(54) **SPRAY DISPENSER**

(57) **CLAIM**

(75) Inventor: **Richard Bloc**, Derchigny-Graincourt (FR)

The ornamental design for a spray dispenser, as shown and described.

(73) Assignee: **Rexam Dispensing Systems**, Le Treport (FR)

**DESCRIPTION**

(\*\*) Term: **14 Years**

(21) Appl. No.: **29/232,059**

(22) Filed: **Jun. 13, 2005**

(30) **Foreign Application Priority Data**

Mar. 23, 2005 (EM) ..... 000313952

(51) **LOC (8) Cl.** ..... **09-07**

(52) **U.S. Cl.** ..... **D9/449; D9/454; D9/446**

(58) **Field of Classification Search** ..... D9/686, D9/682, 529, 453, 449, 448, 447, 445, 444, D9/440, 435; 222/182, 153.1; 220/915  
See application file for complete search history.

(56) **References Cited**

**U.S. PATENT DOCUMENTS**

D316,675 S \* 5/1991 Cramer ..... D9/448  
D359,451 S \* 6/1995 Dees ..... D9/443  
D513,986 S \* 1/2006 Healy et al. .... D9/445

**FOREIGN PATENT DOCUMENTS**

FR 0403732 10/1908

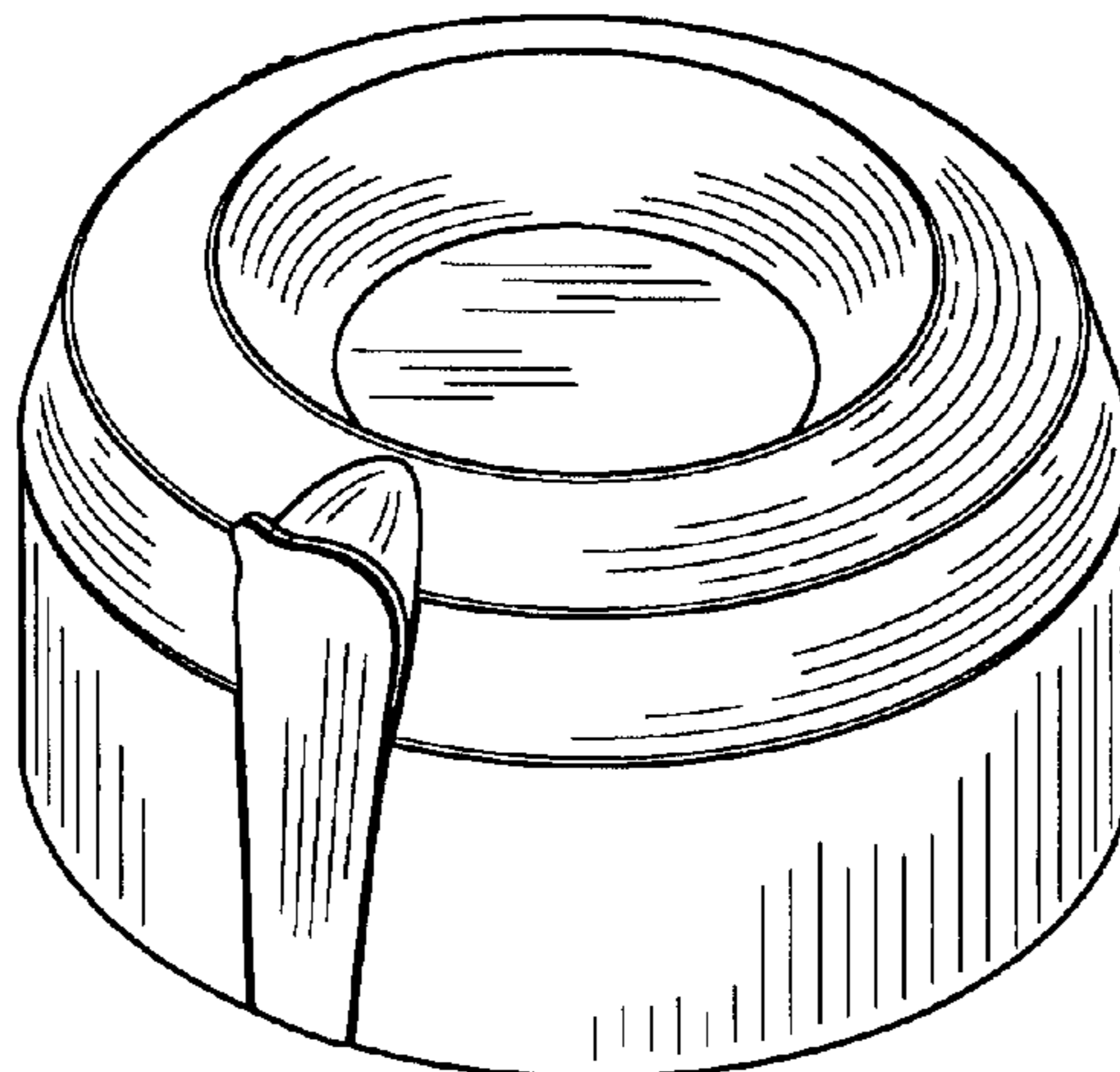
\* cited by examiner

*Primary Examiner*—Gary D. Watson  
*Assistant Examiner*—Susan Bennett Hattan  
(74) *Attorney, Agent, or Firm*—Fross Zelnick Lehrman & Zissu, P.C.; Charles T. J. Weigell, Esq.

FIG. 1 is a front perspective view of a spray dispenser, showing my new design, with spray cap in a closed position; FIG. 2 is a front view of the spray dispenser shown in FIG. 1, with spray cap in a closed position; FIG. 3 is a rear view of the spray dispenser shown in FIG. 1, with spray cap in a closed position; FIG. 4 is a left side view of the spray dispenser shown in FIG. 1, with spray cap in a closed position; FIG. 5 is a right side view of the spray dispenser shown in FIG. 1, with spray cap in a closed position; FIG. 6 is a top view of the spray dispenser shown in FIG. 1, with spray cap in a closed position; FIG. 7 is a bottom view of the spray dispenser shown in FIG. 1, with spray cap in a closed position; FIG. 8 is front perspective view of the spray dispenser shown in FIG. 1, with spray cap in an open position; FIG. 9 is a front view of the spray dispenser shown in FIG. 1, with spray cap in an open position; FIG. 10 is a rear view of the spray dispenser shown in FIG. 1, with spray cap in an open position; FIG. 11 is a left side view of the spray dispenser shown in FIG. 1, with spray cap in an open position; FIG. 12 is a right side view of the spray dispenser shown in FIG. 1, with spray cap in an open position; FIG. 13 is a top view of the spray dispenser shown in FIG. 1, with spray cap in an open position; and, FIG. 14 is a bottom view of the spray dispenser shown in FIG. 1, with spray cap in an open position.

The broken lines in the drawing are for illustrative purposes only and form no part of the claimed design.

**1 Claim, 7 Drawing Sheets**



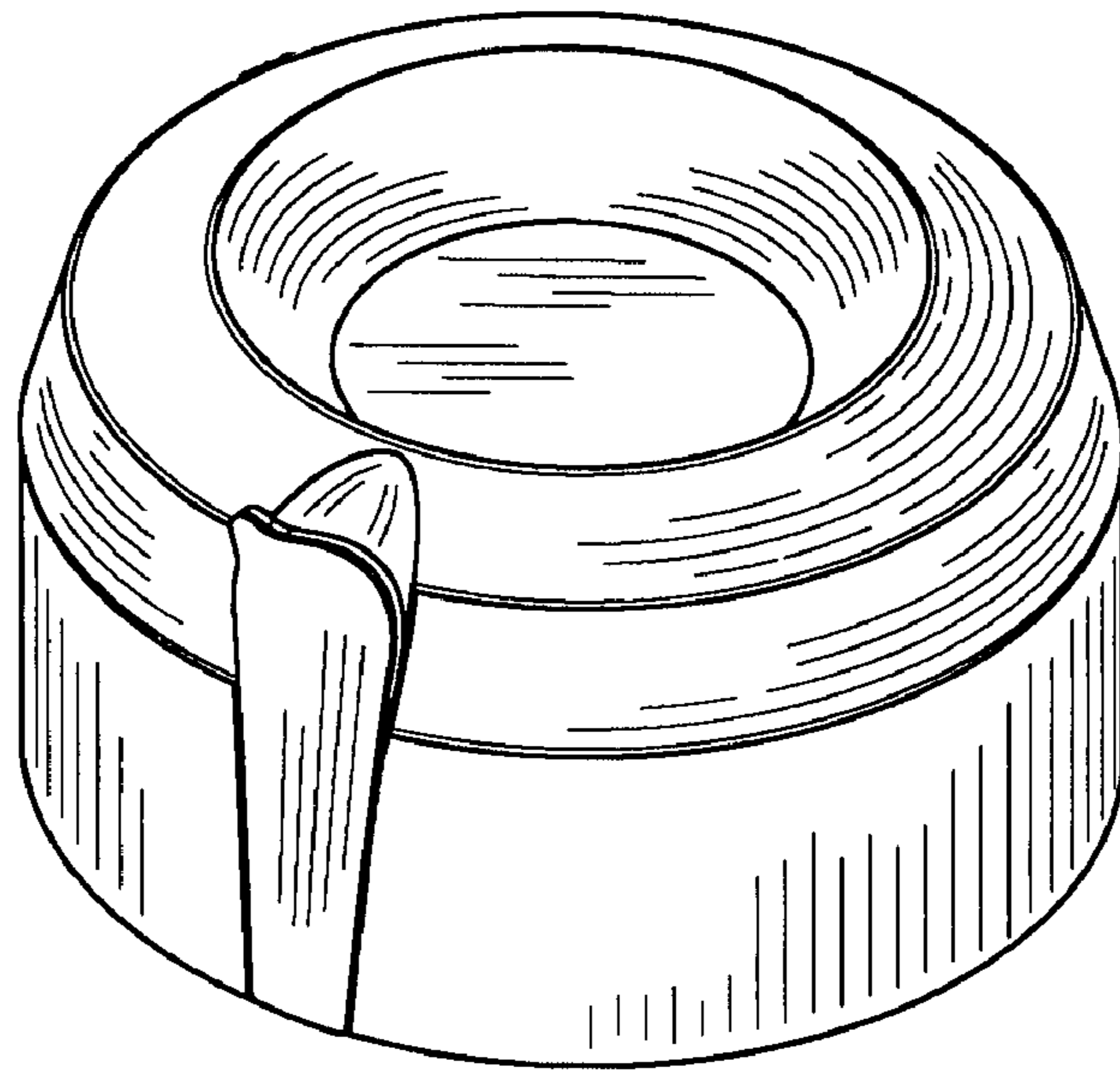


FIG. 1

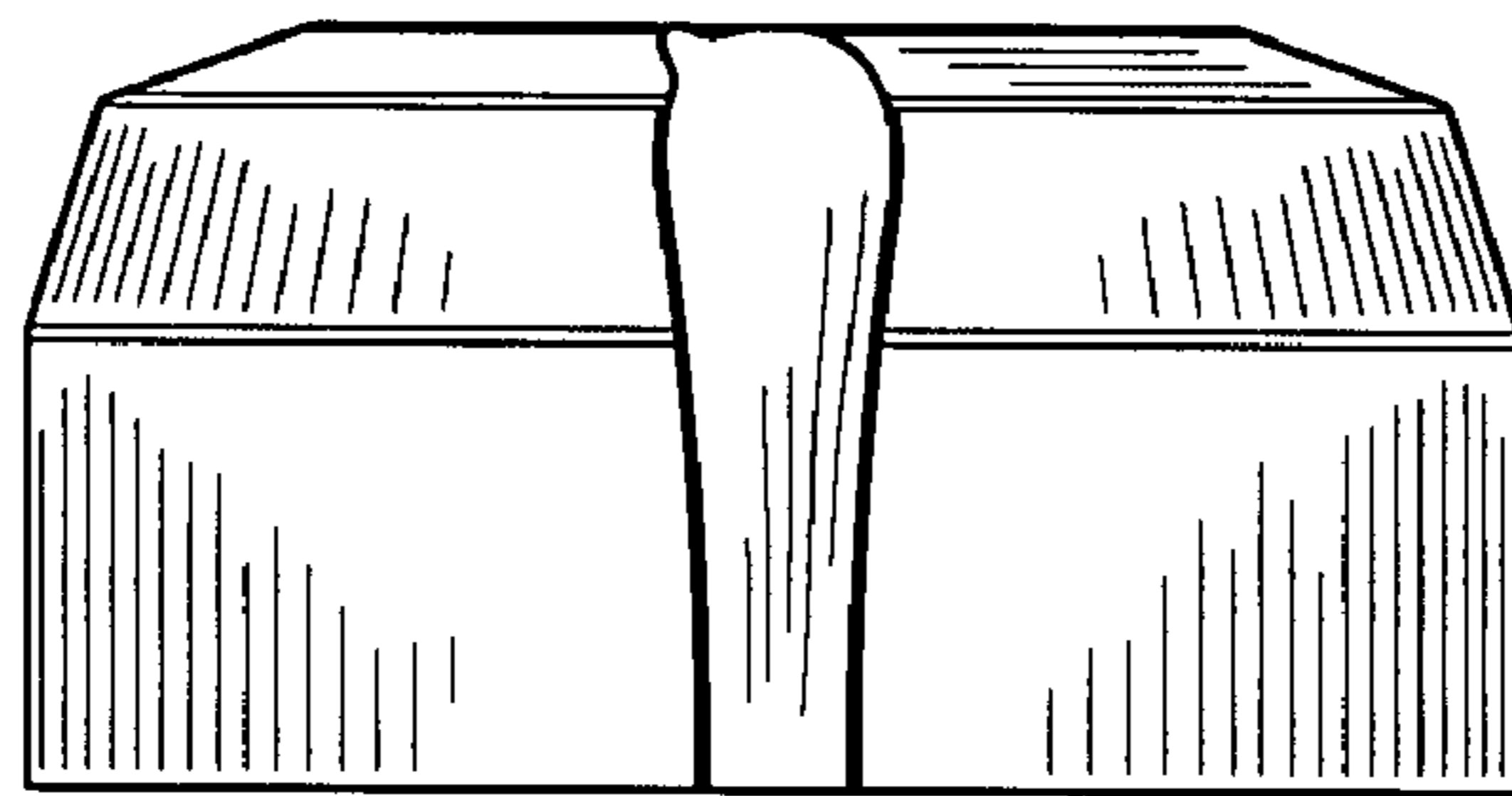


FIG. 2

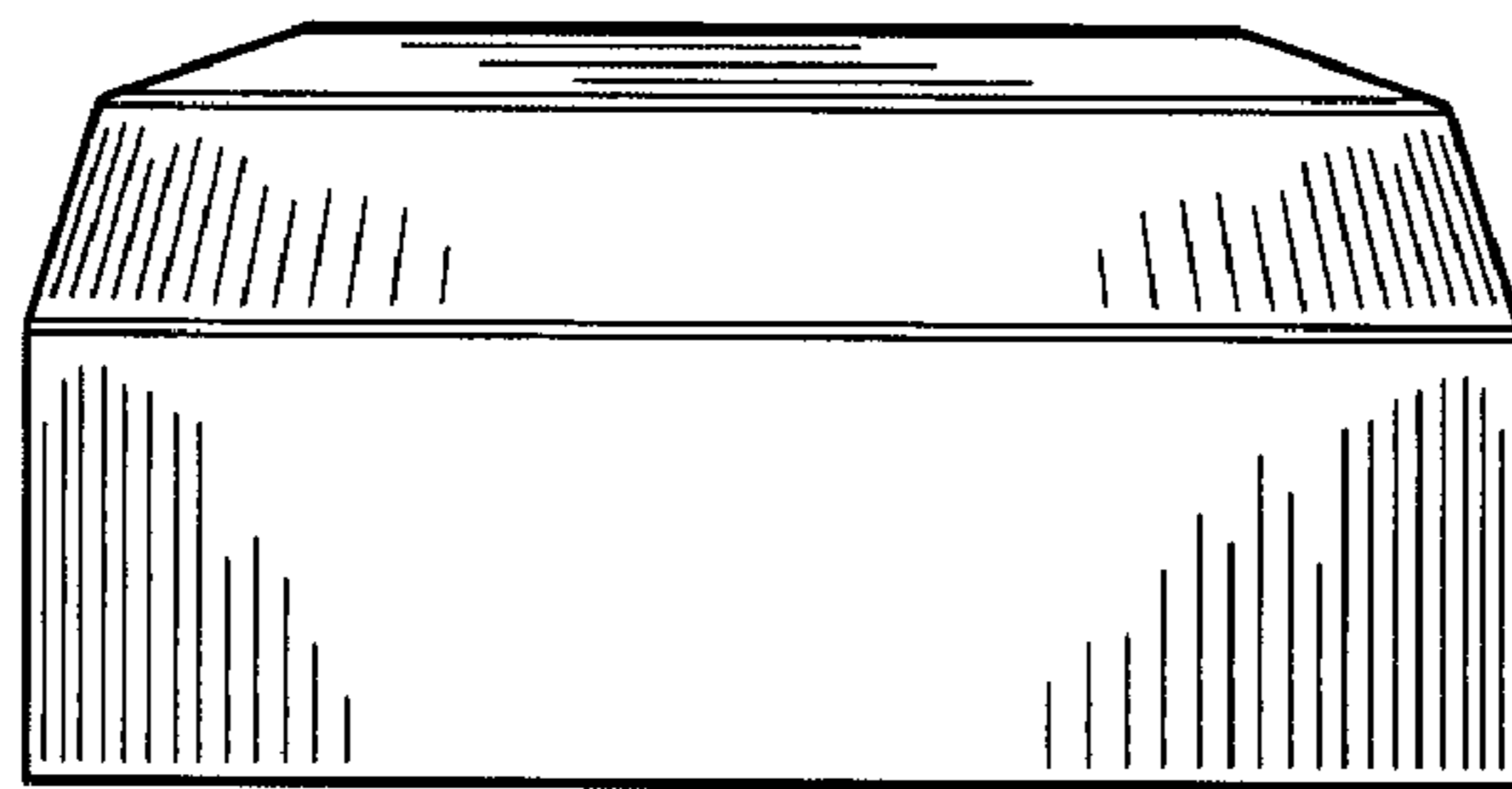
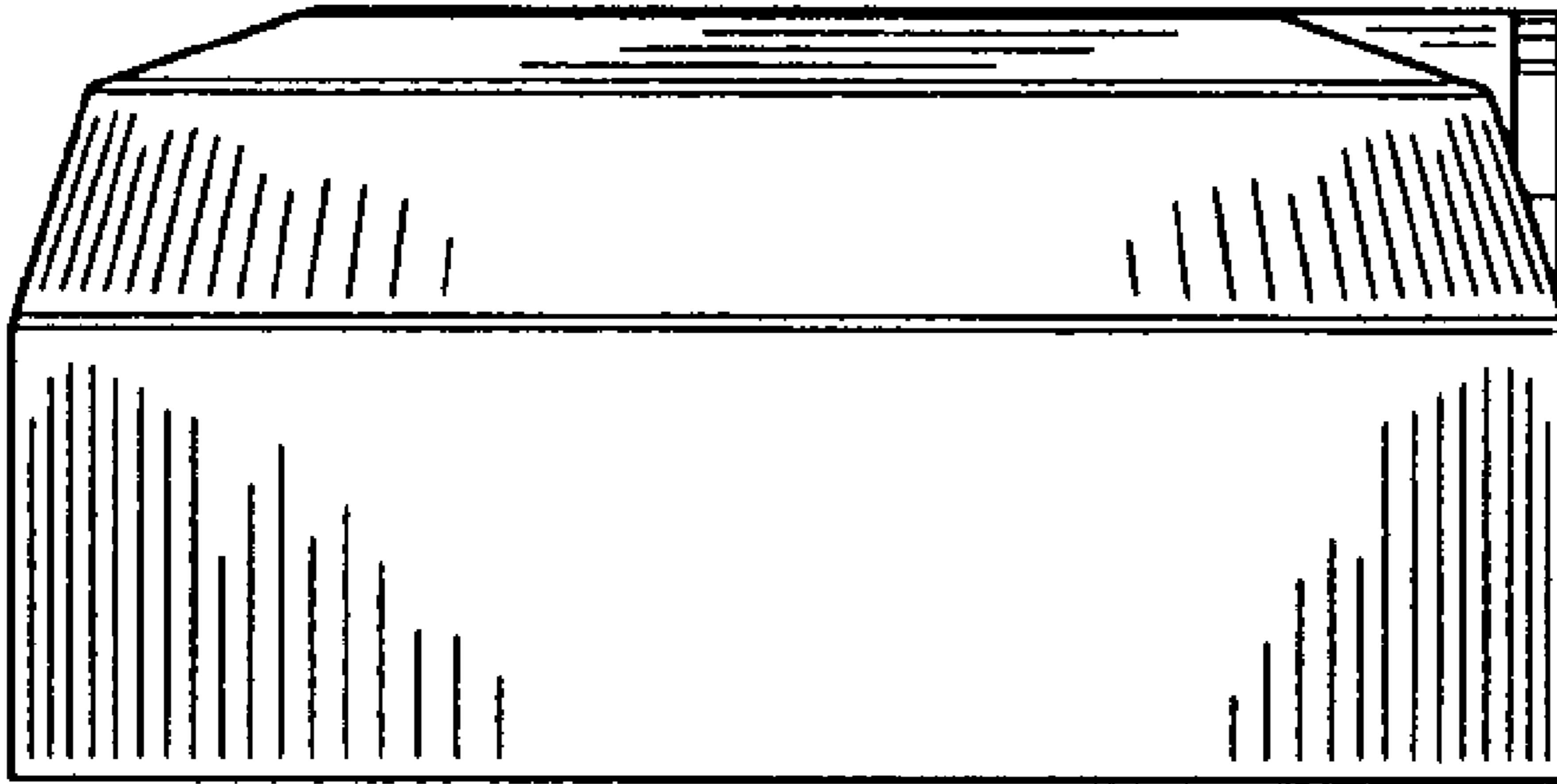
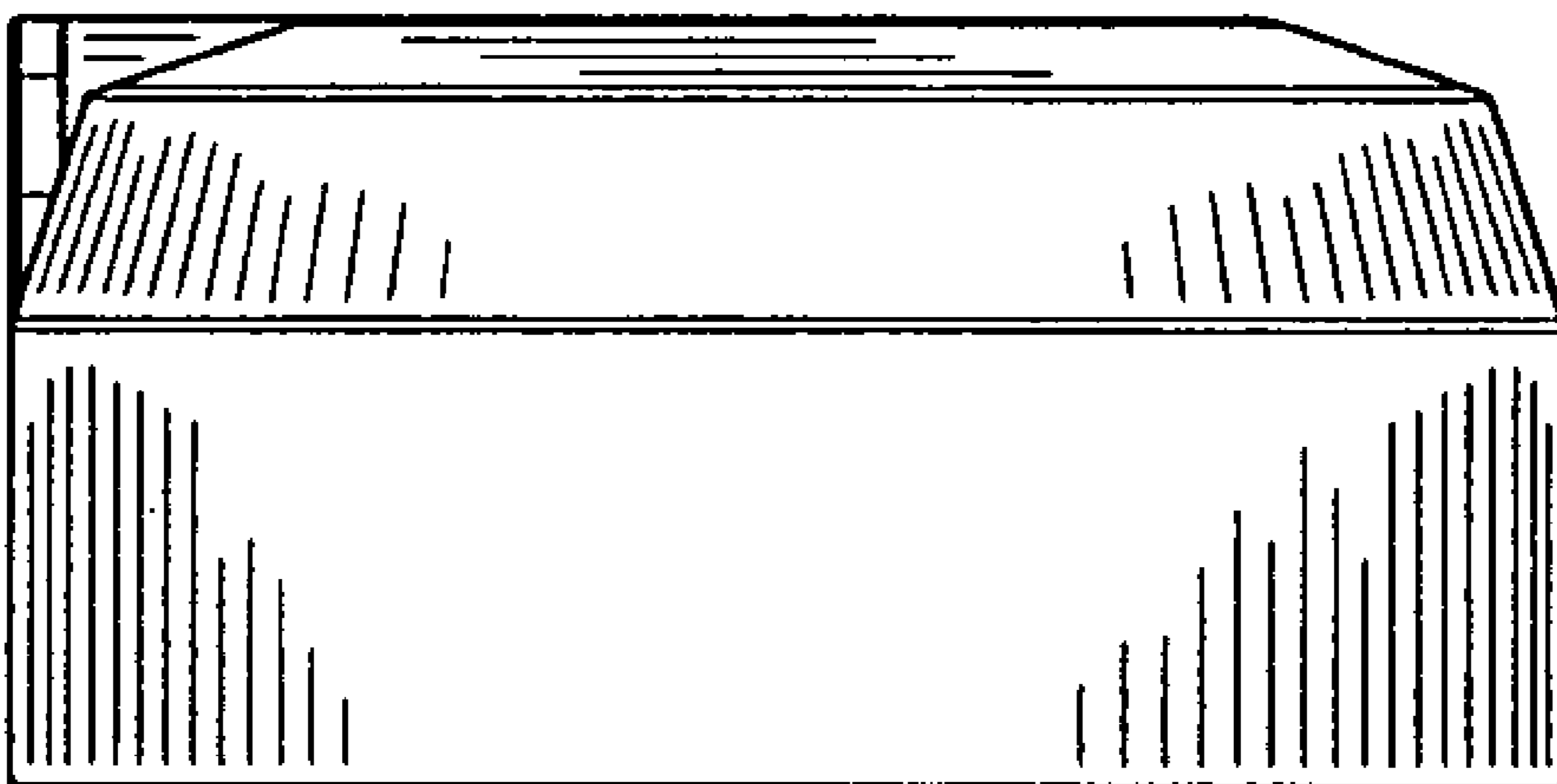


FIG. 3



**FIG. 4**



**FIG. 5**

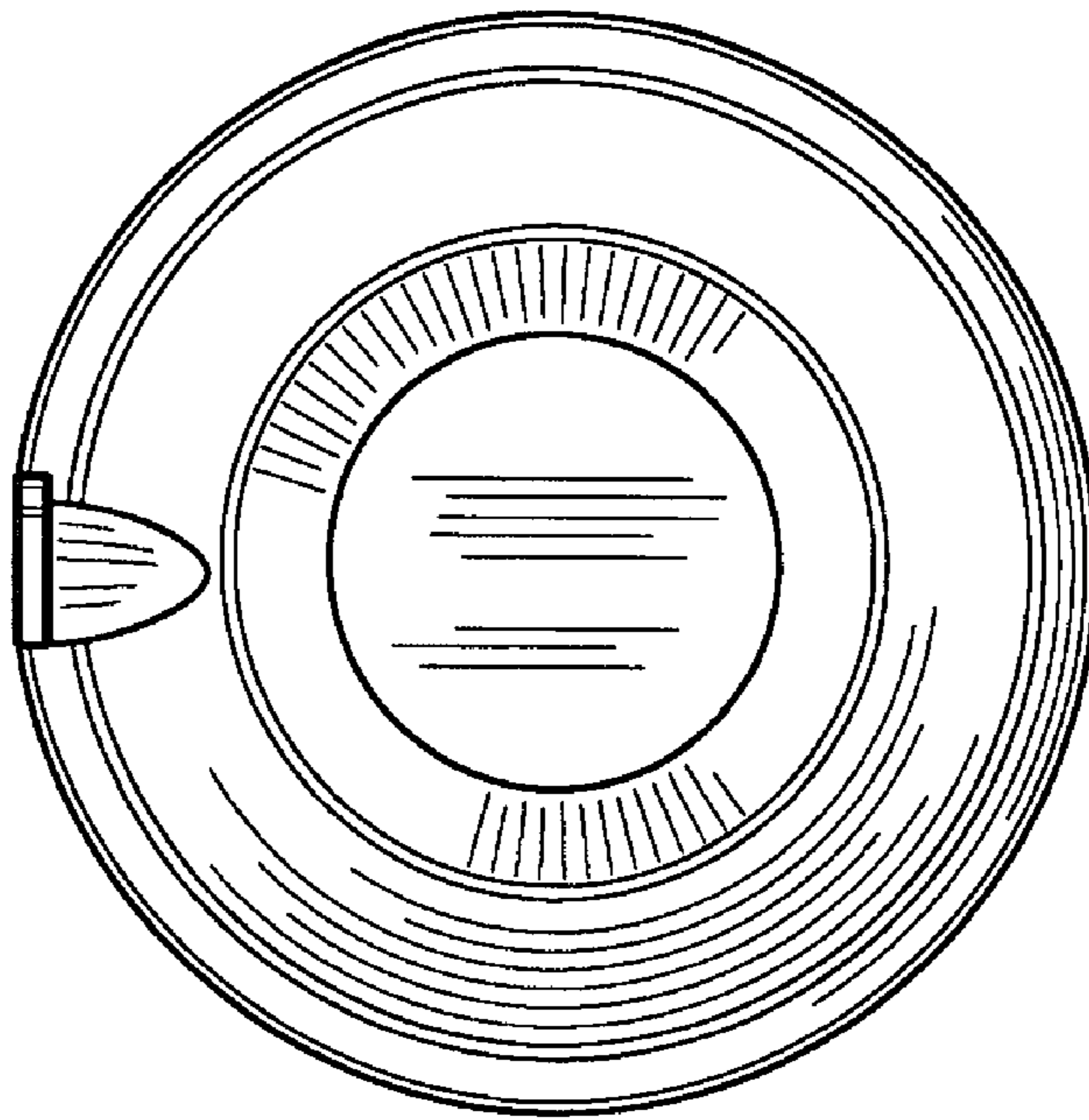


FIG. 6

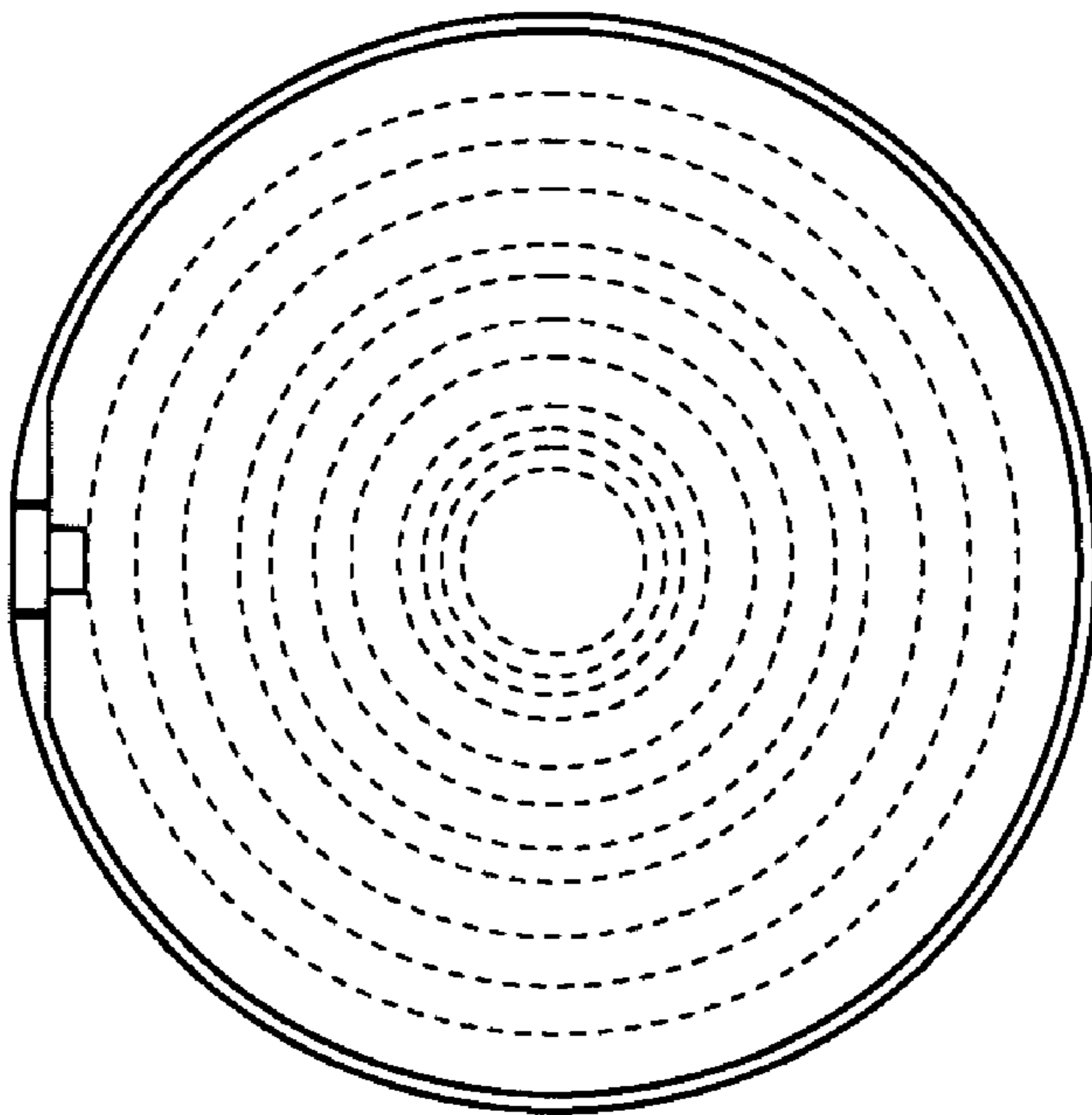
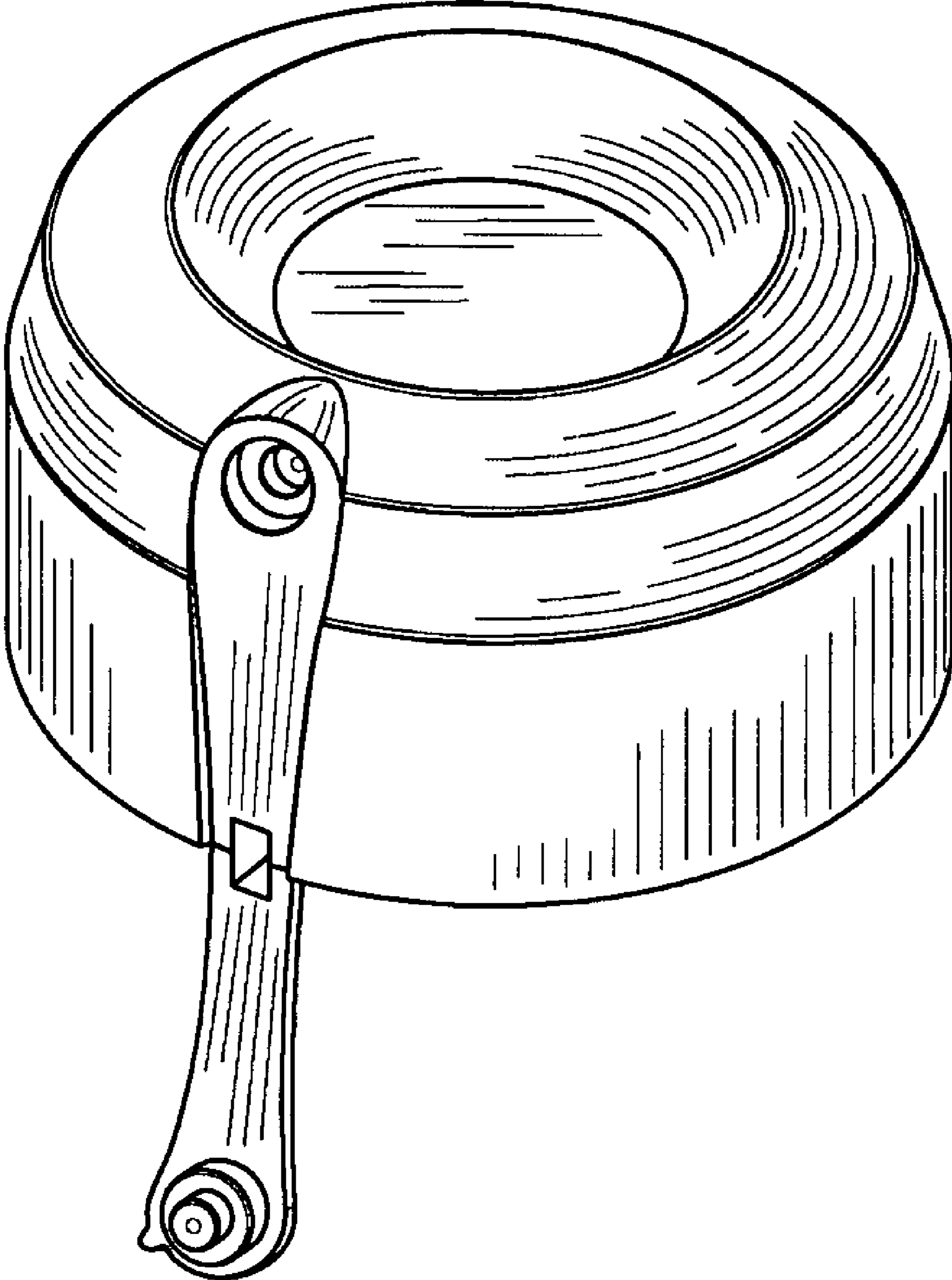


FIG. 7



**FIG. 8**

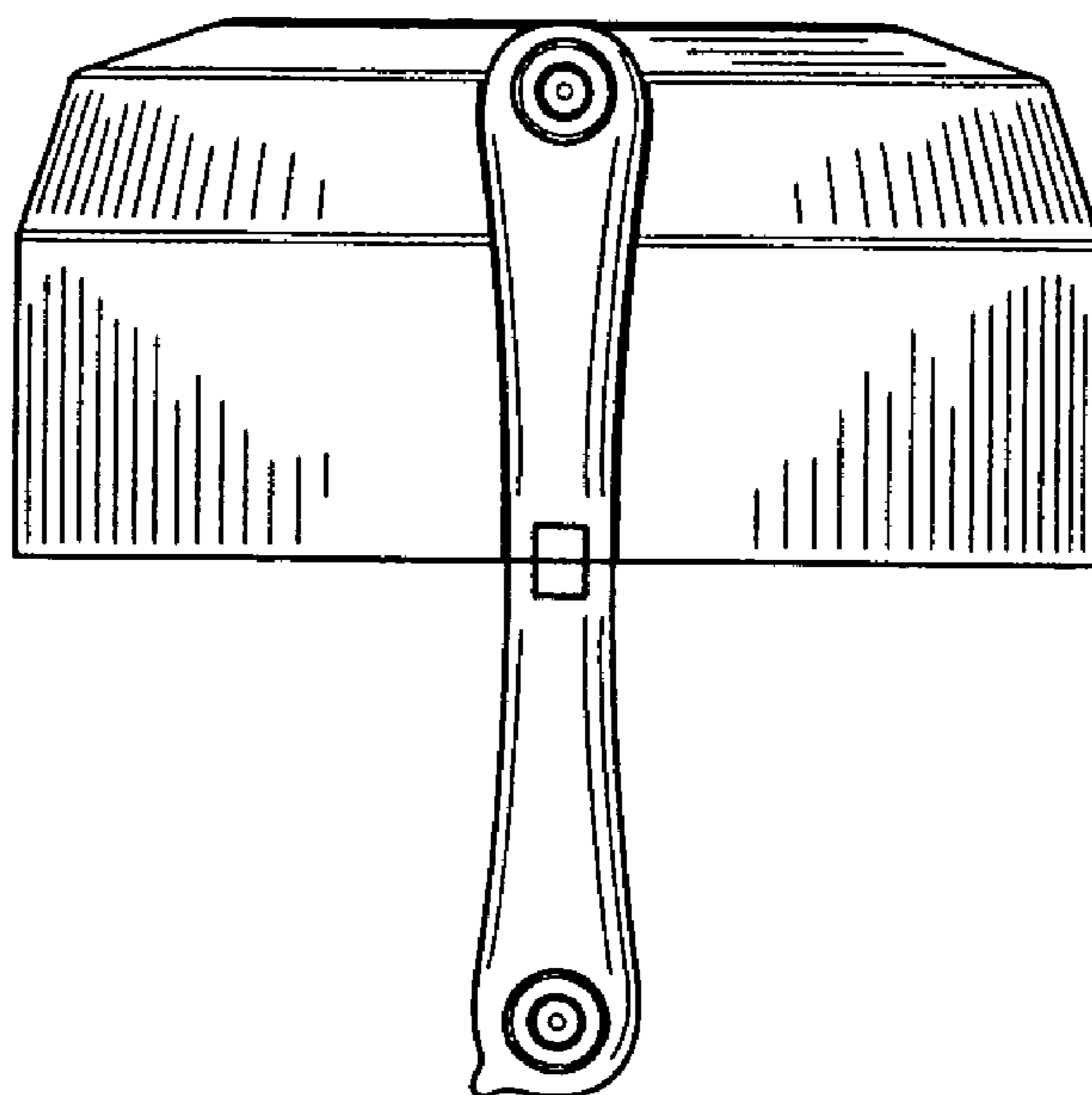


FIG. 9

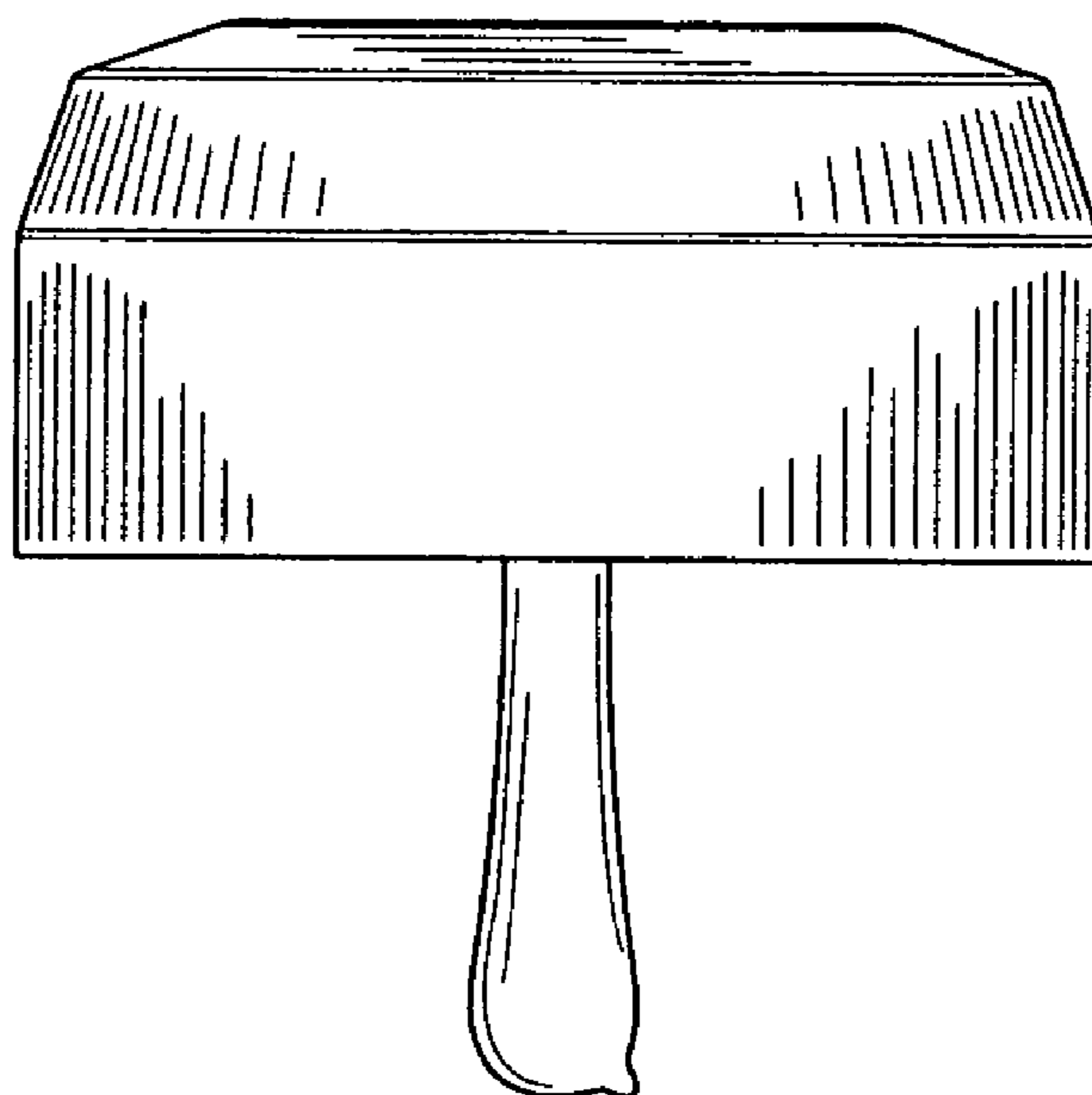


FIG. 10

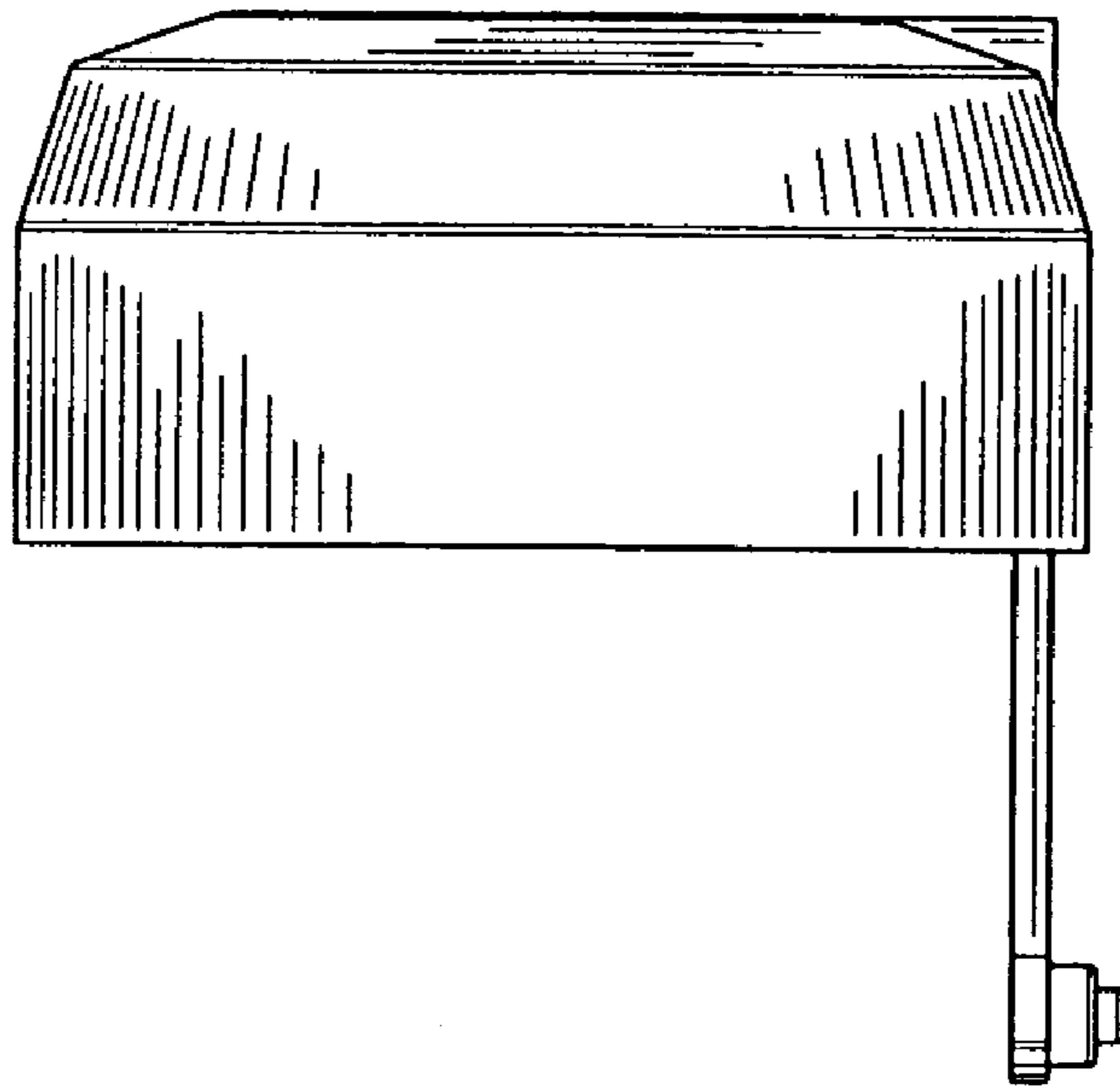


FIG. 11

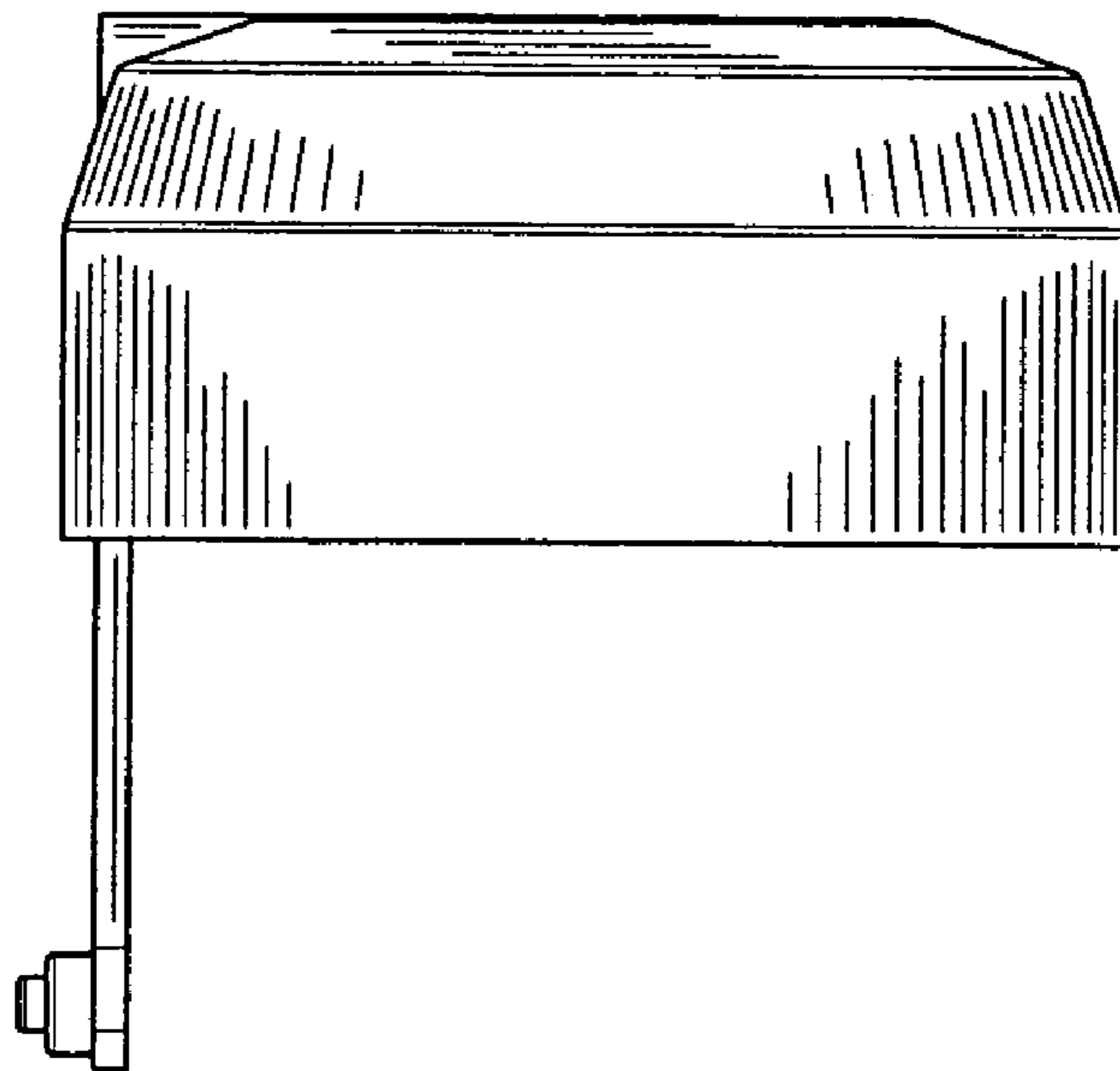


FIG. 12

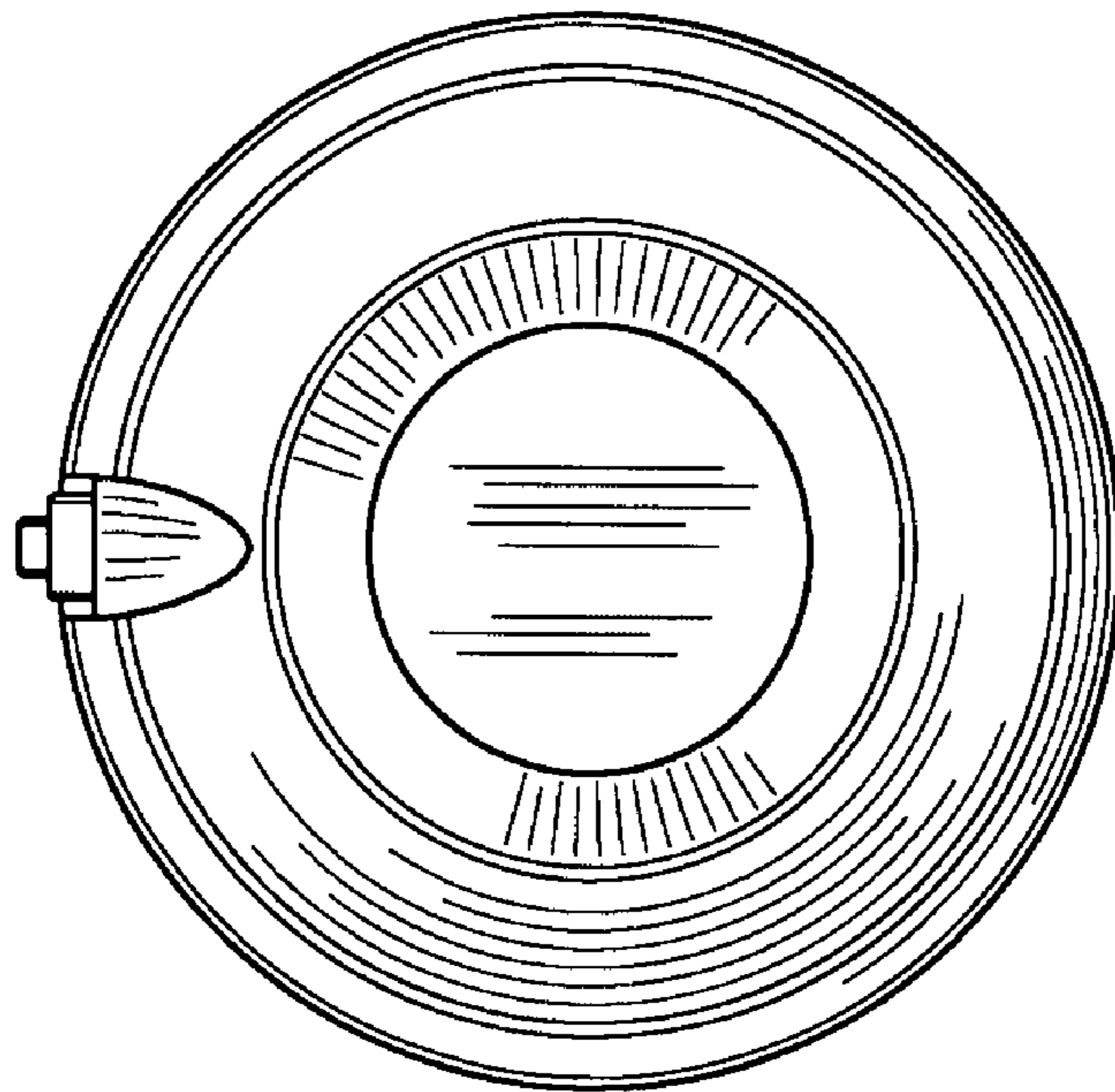


FIG. 13

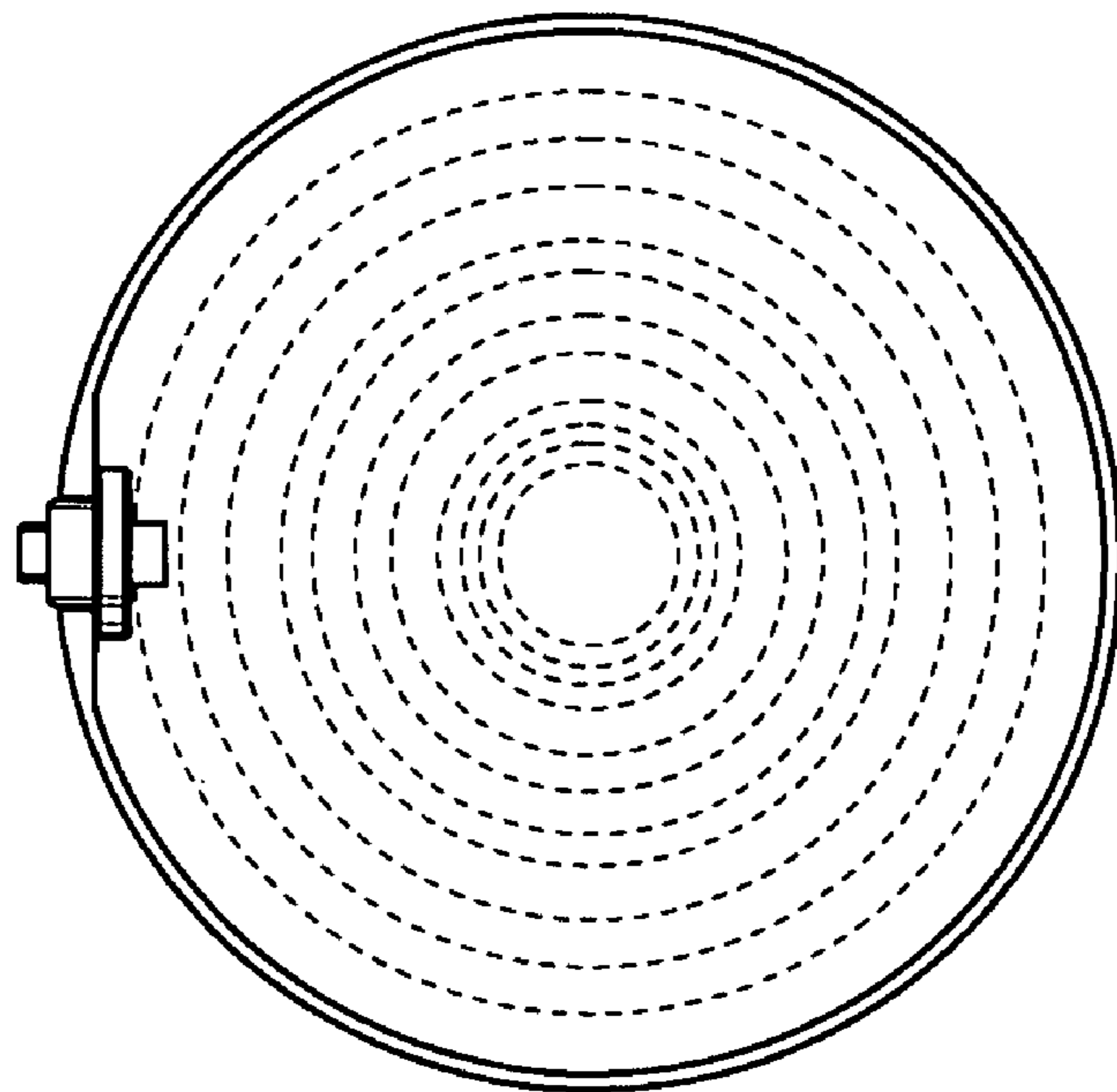


FIG. 14