

US00D560118S

(12) **United States Design Patent**
Higgins

(10) **Patent No.:** **US D560,118 S**

(45) **Date of Patent:** **** Jan. 22, 2008**

(54) **CONTAINER NECK**

(75) **Inventor:** **Christopher Lyndon Higgins**, Noosa
Heads (AU)

(73) **Assignee:** **Ctech Closure Systems Pty. Ltd.**,
Sydney (AU)

(**) **Term:** **14 Years**

(21) **Appl. No.:** **29/240,650**

(22) **Filed:** **Oct. 17, 2005**

(51) **LOC (8) Cl.** **09-01**

(52) **U.S. Cl.** **D9/434; D9/516**

(58) **Field of Classification Search** D9/434,
D9/436, 449-458, 502, 516, 549, 550, 557,
D9/563, 571, 667, 686, 688-691; D7/509-511;
215/43-44, 382-384; 220/660, 669, 675
See application file for complete search history.

(56) **References Cited**

U.S. PATENT DOCUMENTS

- 5,462,186 A * 10/1995 Ladina et al. 215/330
- D402,893 S * 12/1998 Monaghan D9/500
- 6,006,930 A * 12/1999 Dreyer et al. 215/44
- D441,650 S * 5/2001 Salzburg et al. D9/434
- D456,715 S 5/2002 Reidenbach

- D457,435 S * 5/2002 Rashid D9/502
- D494,068 S * 8/2004 Taylor et al. D9/516
- D503,344 S * 3/2005 Woolley et al. D9/551
- 7,097,056 B2 * 8/2006 Ozawa et al. 215/44

* cited by examiner

Primary Examiner—Stella M. Reid

Assistant Examiner—Keli' L. Acker

(74) *Attorney, Agent, or Firm*—Skinner & Associates

(57) **CLAIM**

The ornamental design for a container neck, as shown and described.

DESCRIPTION

The design is for a neck for a container. The neck has a plurality of threads and a lip.

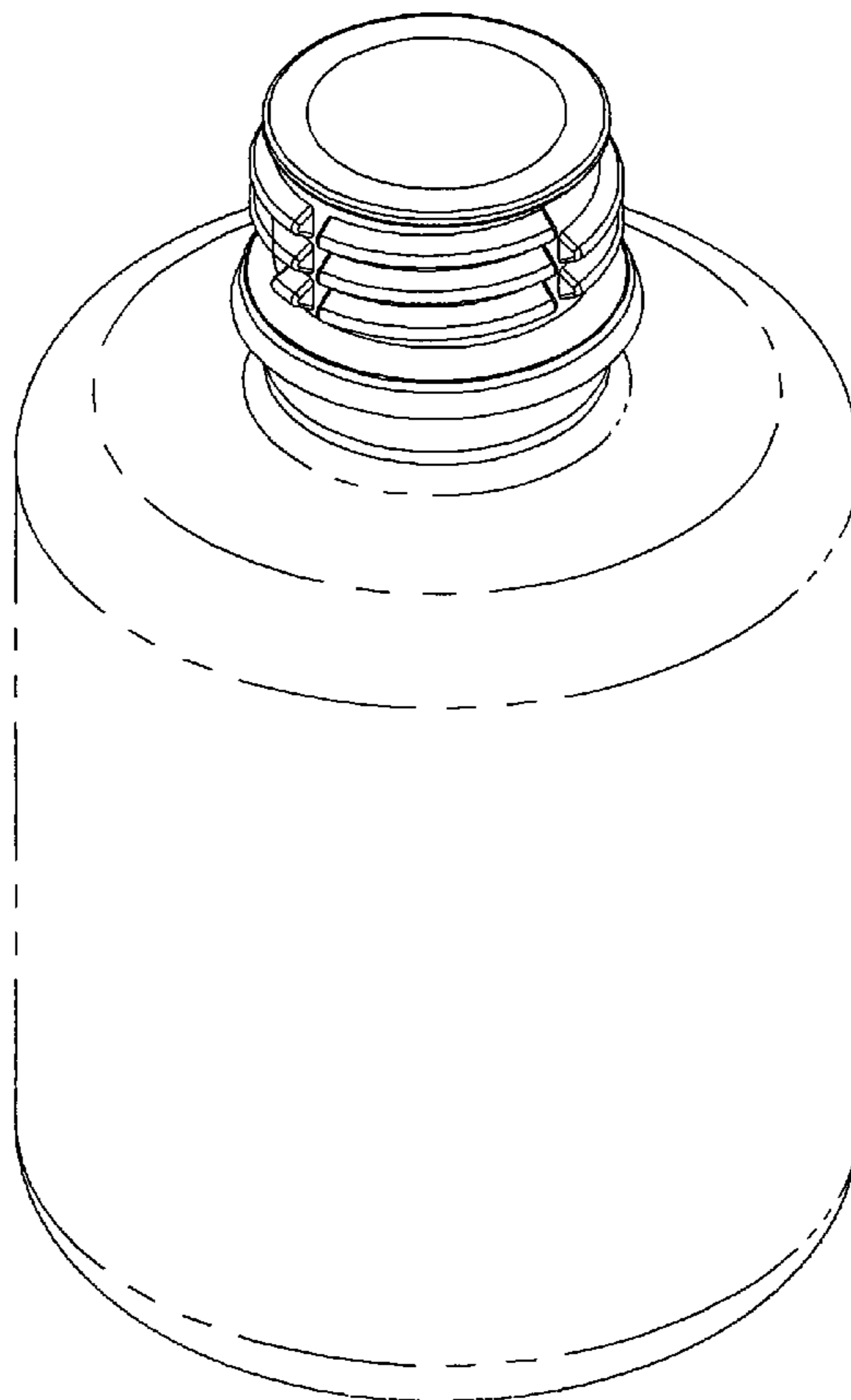
FIG. 1 is a perspective view of a container neck, embodying my new design;

FIG. 2 is a top view thereof; and,

FIG. 3 is a side view thereof thereof.

The broken line showing of the bottle is included for the purpose of illustrating portions of the bottle and forms no part of the claimed design.

1 Claim, 3 Drawing Sheets



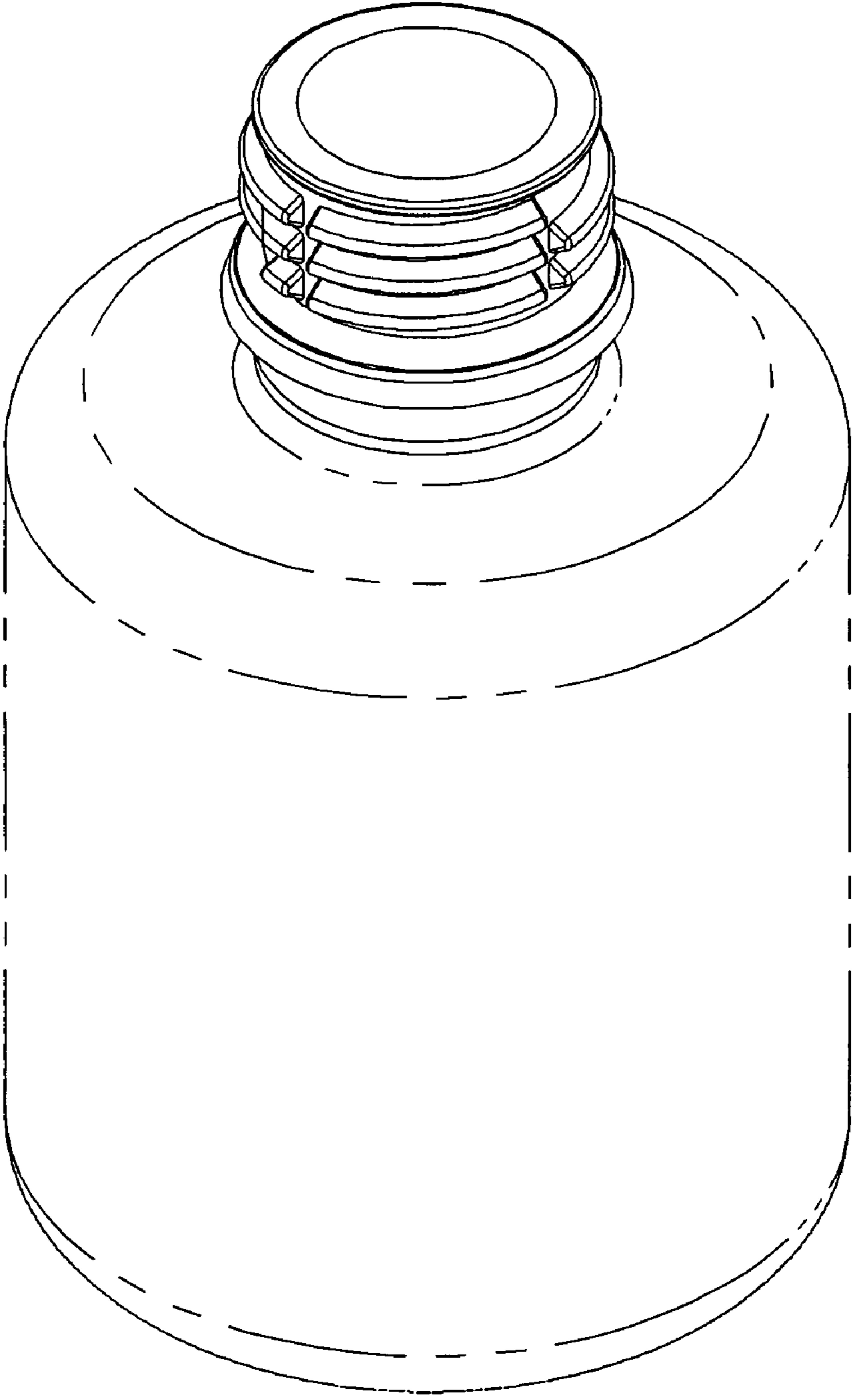


FIG. 1

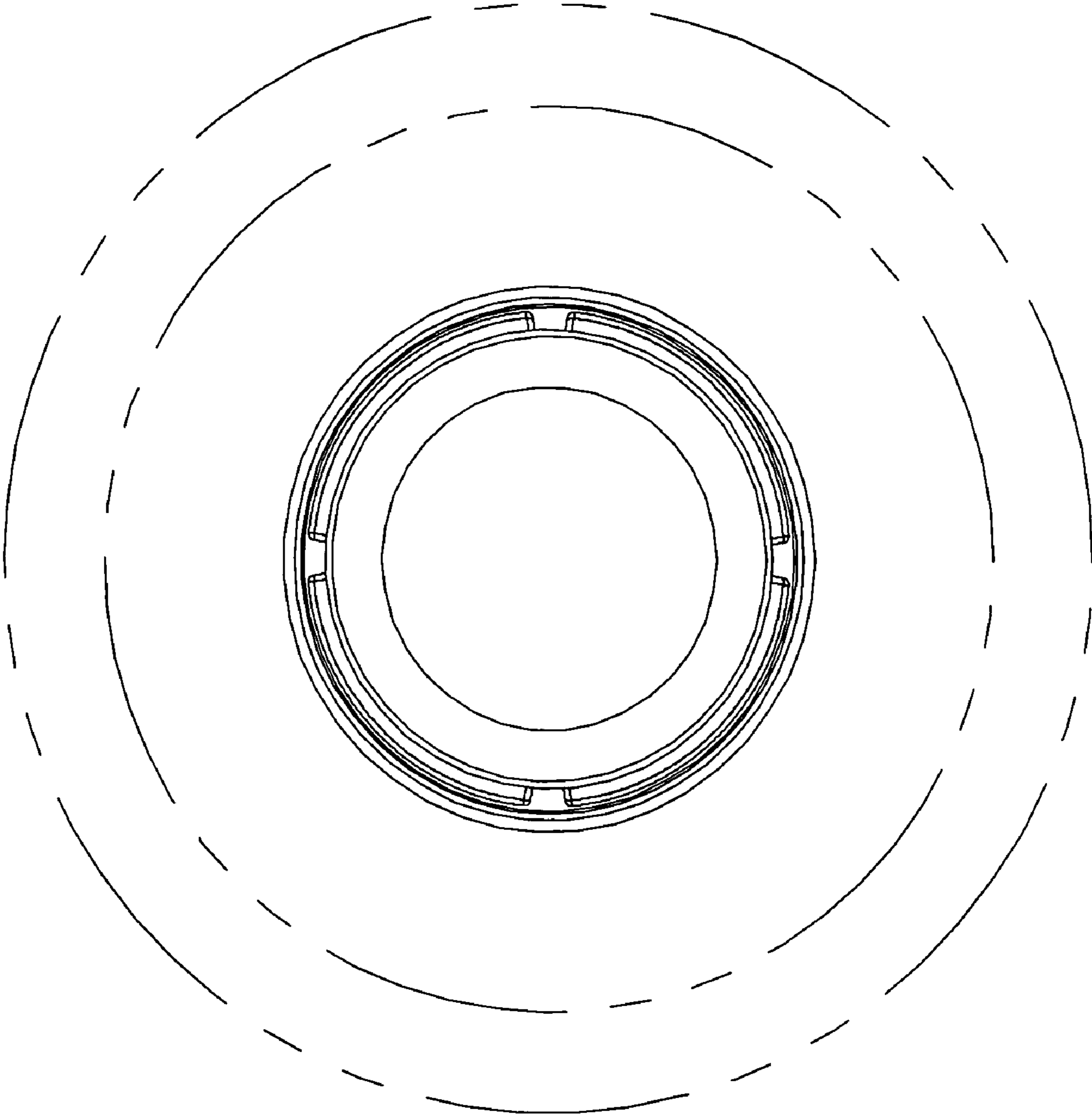


FIG. 2

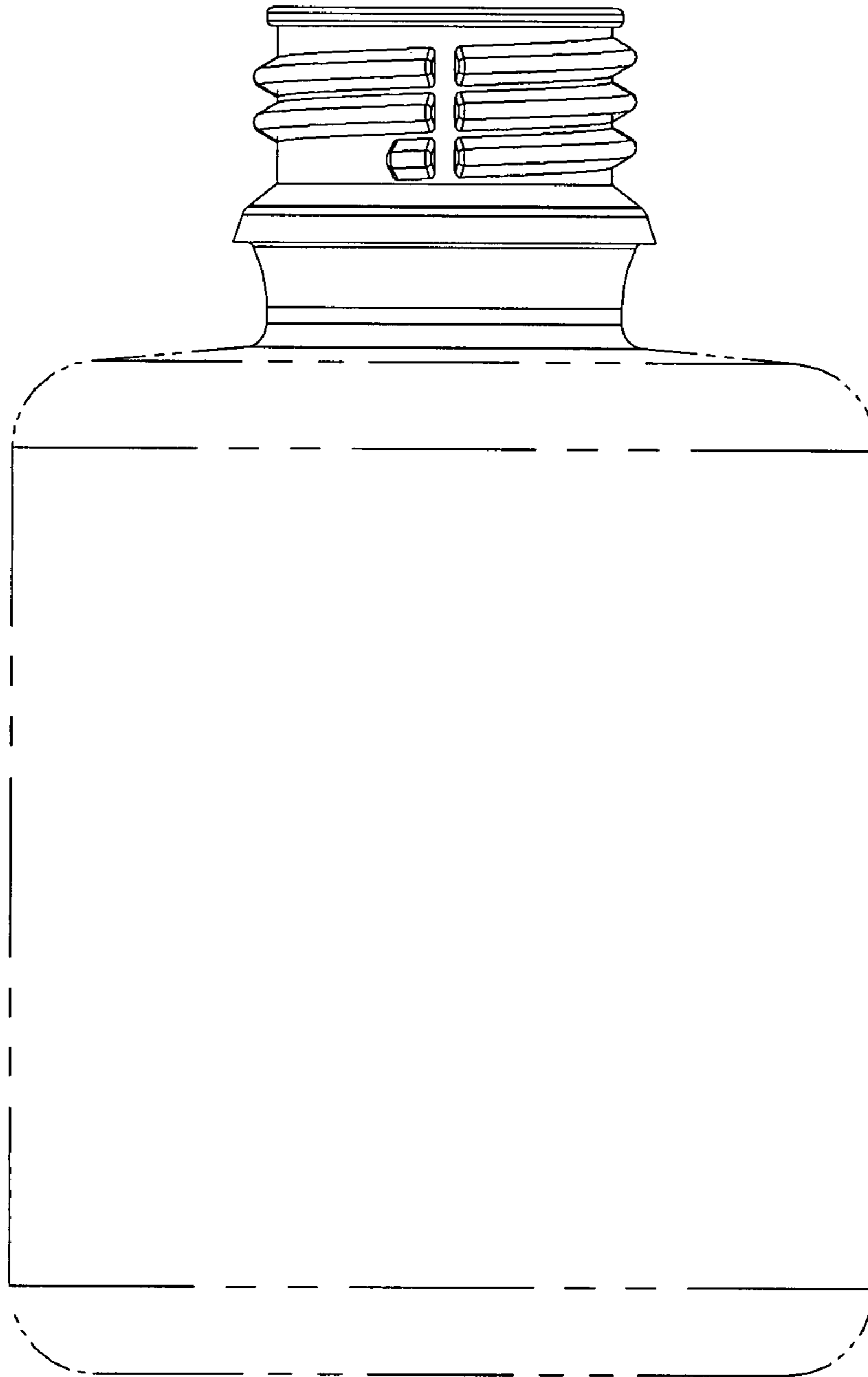


FIG. 3