



US00D560116S

(12) **United States Design Patent**  
**Brassard**

(10) **Patent No.:** **US D560,116 S**  
(45) **Date of Patent:** **\*\* Jan. 22, 2008**

(54) **MOUNTING STRUCTURE**

(76) Inventor: **Paul Brassard**, 20 La Porte, Arcadia,  
CA (US) 91006

(\*\*) Term: **14 Years**

(21) Appl. No.: **29/242,906**

(22) Filed: **Nov. 15, 2005**

(51) **LOC (8) Cl.** ..... **08-05**

(52) **U.S. Cl.** ..... **D8/380; D14/251; D8/373**

(58) **Field of Classification Search** ..... D8/381,  
D8/380, 373, 363, 354, 349; D23/304; D14/452,  
D14/451, 447, 251, 238, 229, 224, 209; D12/415;  
4/574.1, 571.1; 248/309.1, 291.1, 284.1,  
248/240, 124.1; 439/686

See application file for complete search history.

(56) **References Cited**

**U.S. PATENT DOCUMENTS**

D533,053 S *	12/2006	Brassard	.....	D8/373
D533,054 S *	12/2006	Brassard	.....	D8/373
D533,055 S *	12/2006	Brassard	.....	D8/373
D543,439 S *	5/2007	Brassard	.....	D8/363
2007/0049128 A1 *	3/2007	Brassard	.....	439/686

\* cited by examiner

*Primary Examiner*—Gary D. Watson

*Assistant Examiner*—Susan Bennett Hattan

(74) *Attorney, Agent, or Firm*—James E. Brunton, Esq.

(57) **CLAIM**

The ornamental design for “mounting structure,” as shown and described.

**DESCRIPTION**

FIG. 1 is a perspective view of a “mounting structure” showing my new design;

FIG. 2 is a perspective front view thereof;

FIG. 3 is a perspective rear view thereof;

FIG. 4 is a left side view thereof;

FIG. 5 is a right side view thereof;

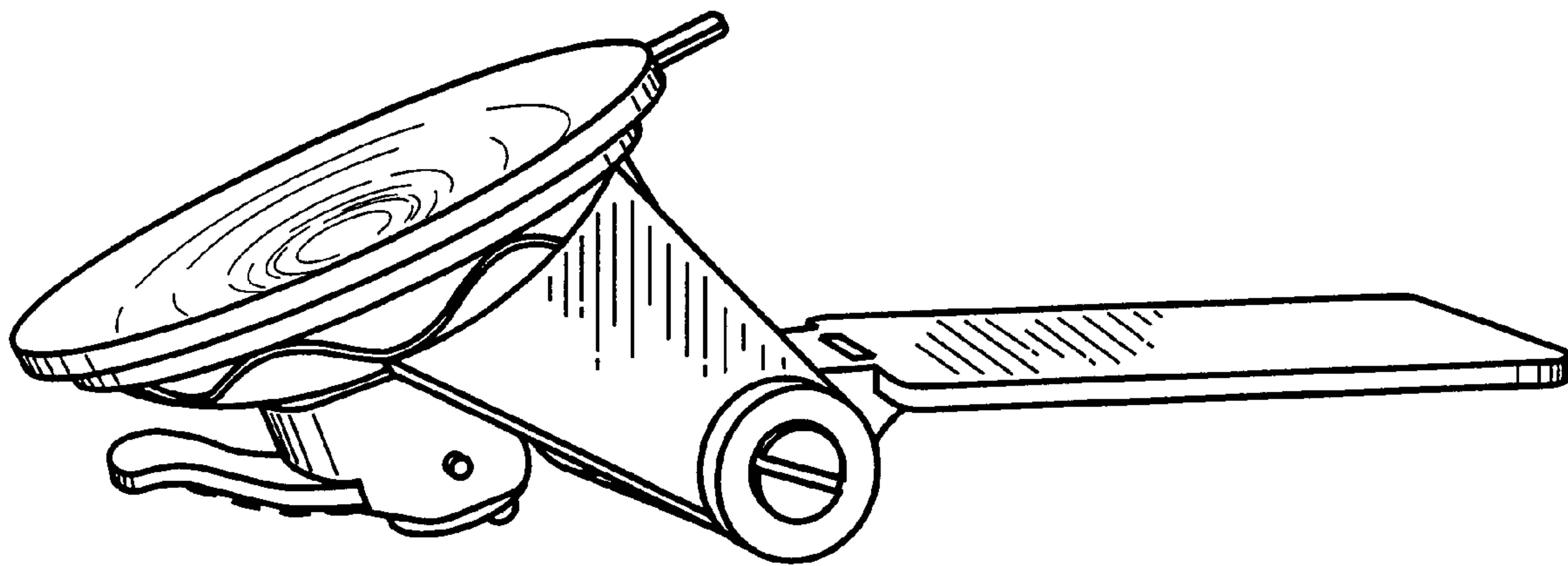
FIG. 6 is a bottom view thereof;

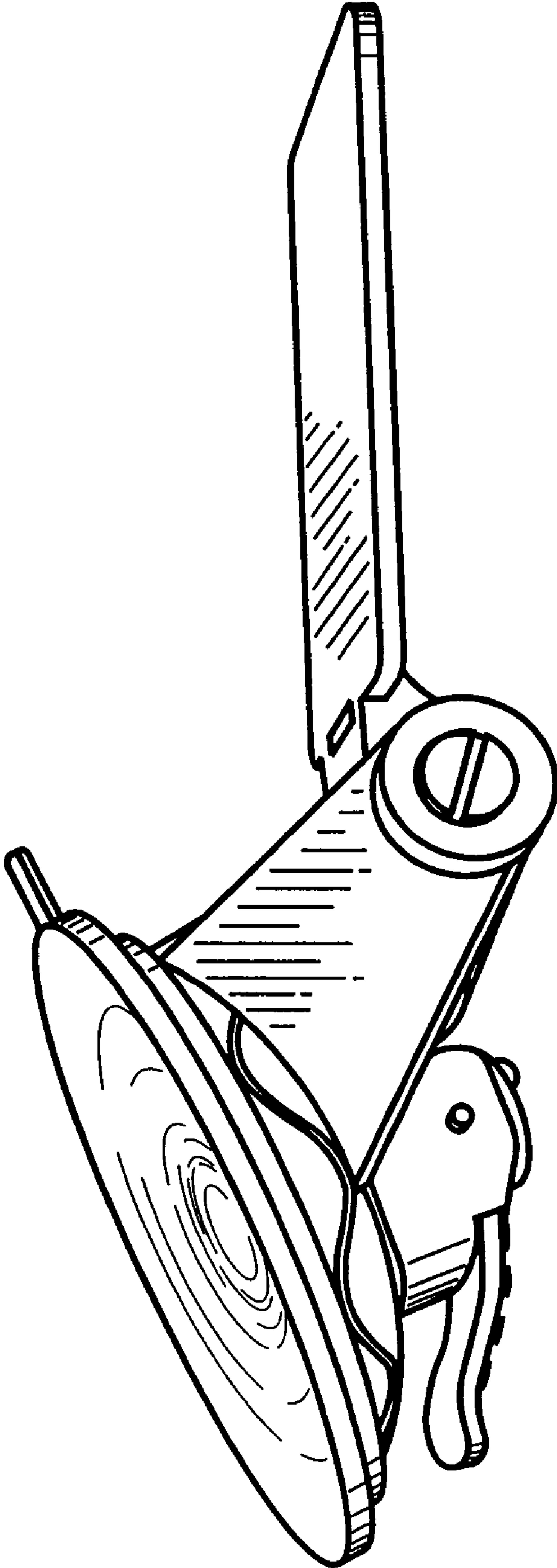
FIG. 7 is top plan view thereof;

FIG. 8 is a perspective view thereof in a folded configuration; and,

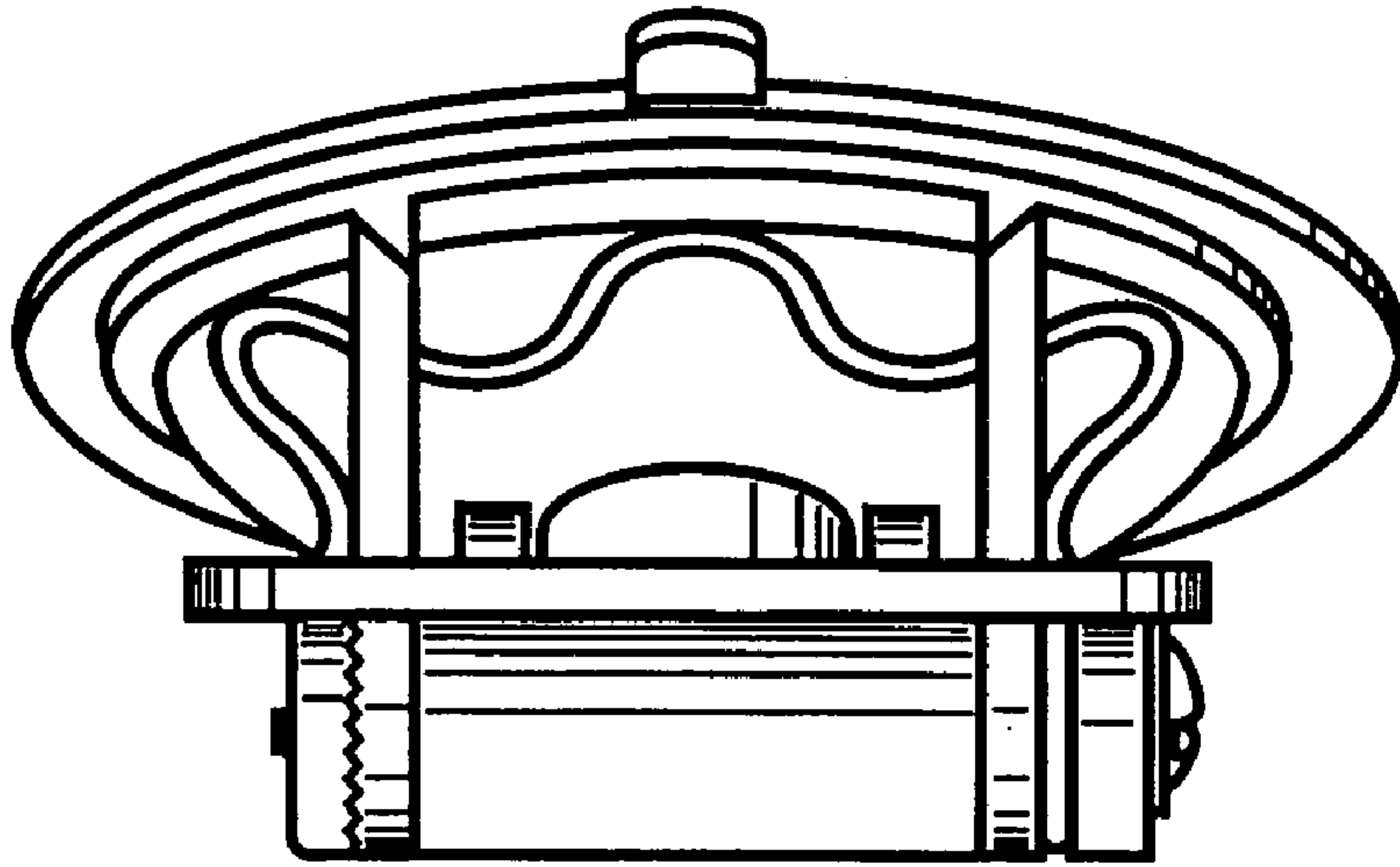
FIG. 9 is a perspective view thereof in a partially extended configuration.

**1 Claim, 5 Drawing Sheets**

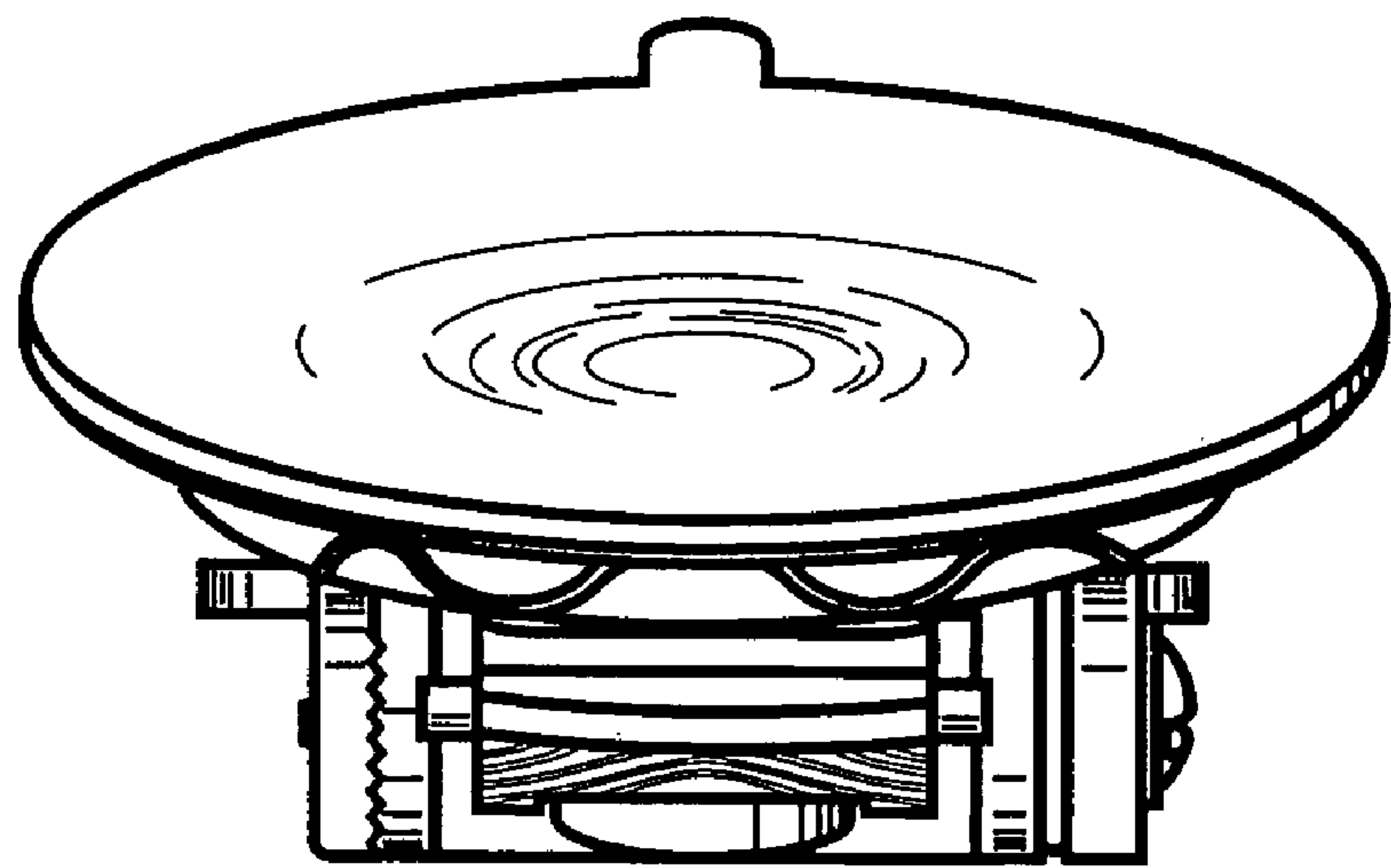




**Fig. 1**



**Fig. 2**



**Fig. 3**

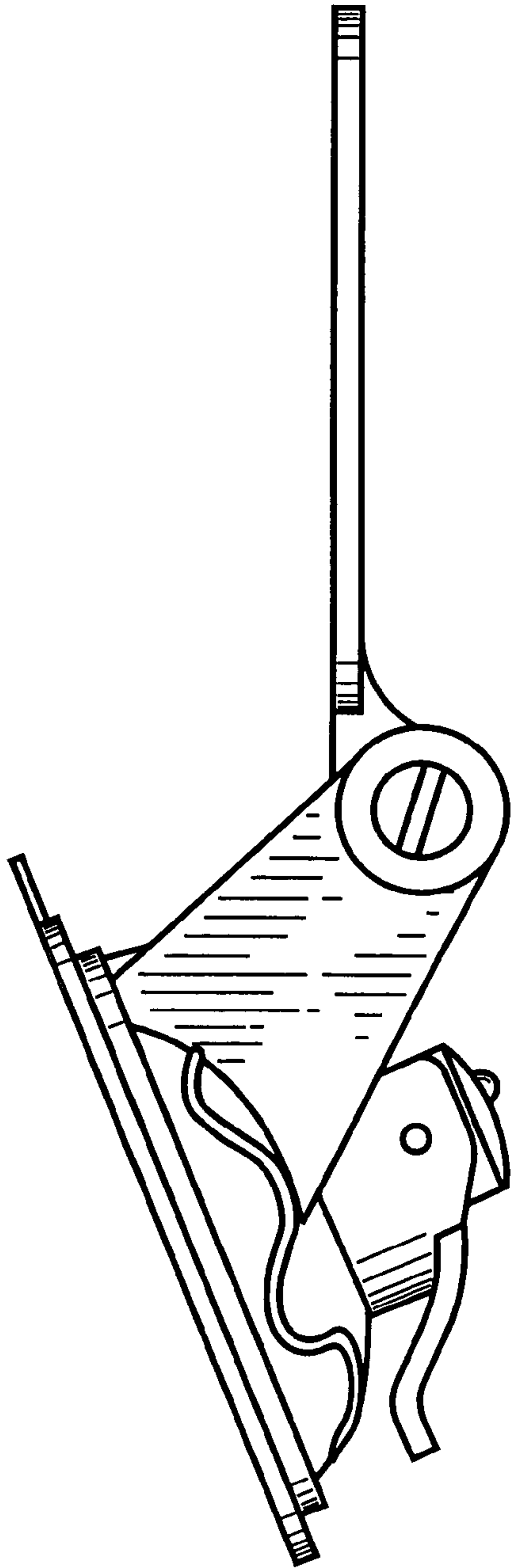


Fig. 4

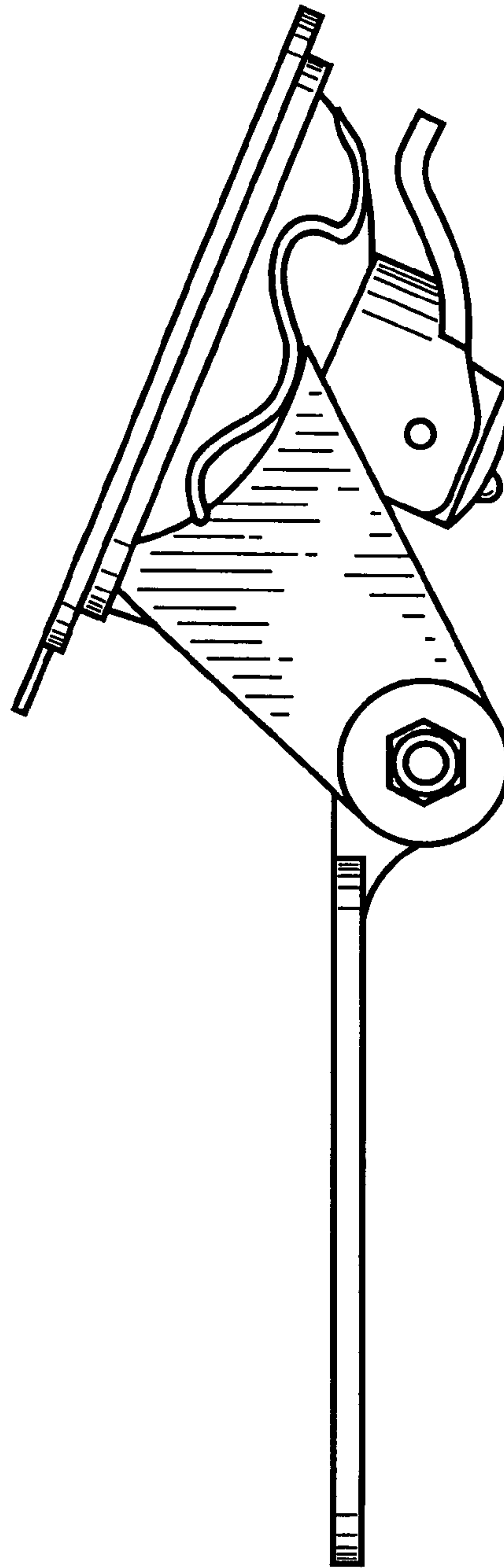


Fig. 5

Fig. 6

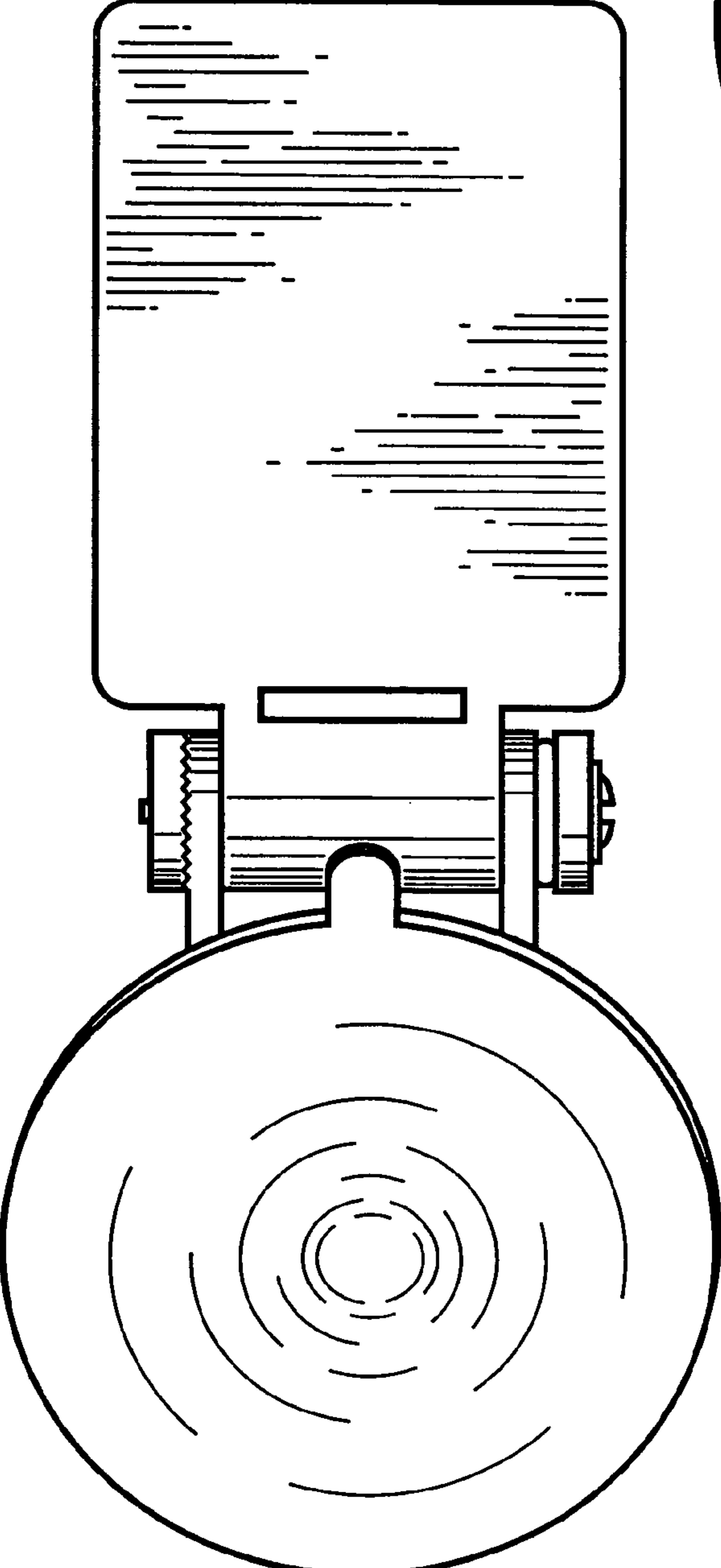
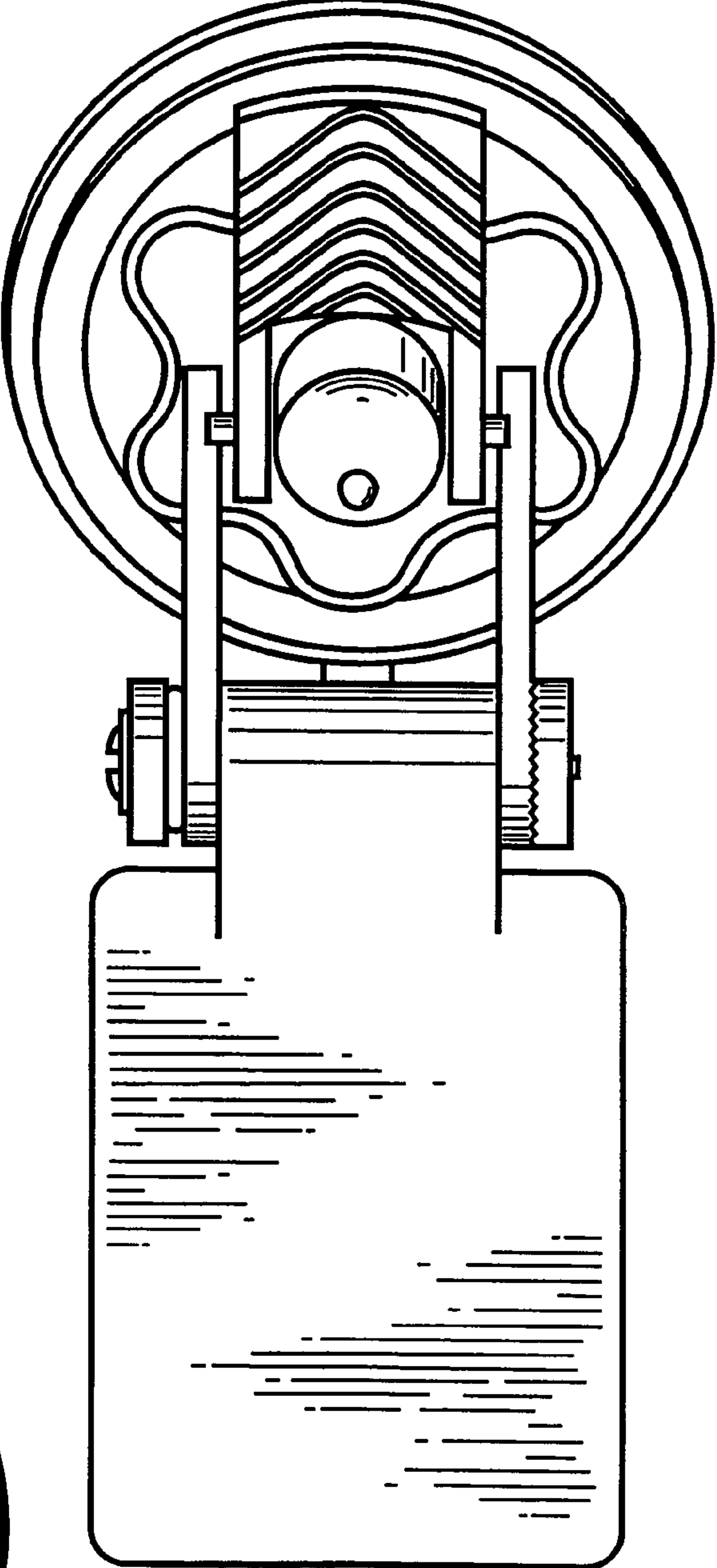
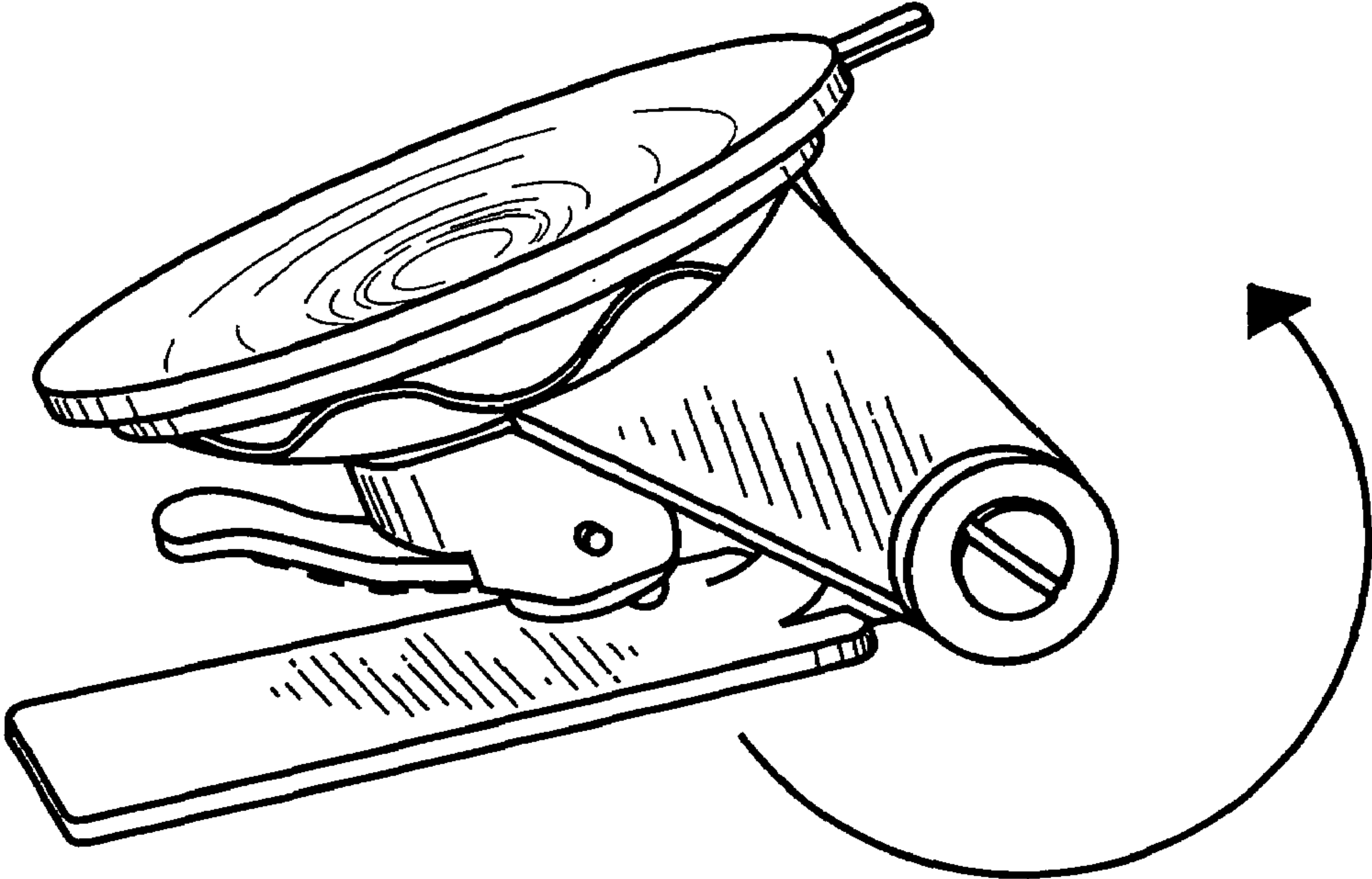


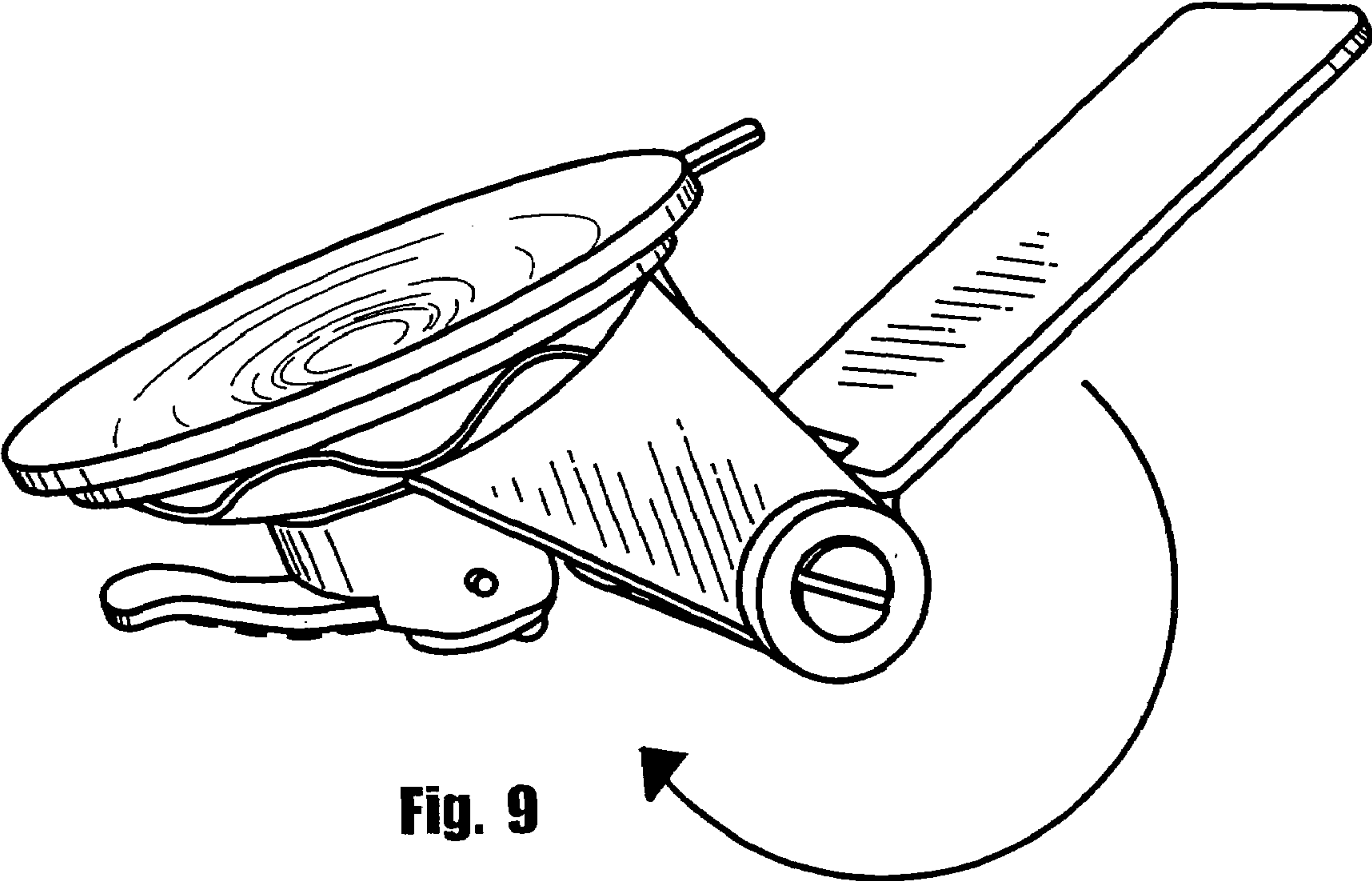
Fig. 7







**Fig. 8**



**Fig. 9**