



US00D560114S

(12) **United States Design Patent**
Mockett

(10) **Patent No.:** **US D560,114 S**
(45) **Date of Patent:** **** Jan. 22, 2008**

(54) **GROMMET CAP**

(76) Inventor: **Douglas A. J. Mockett**, P.O. Box
25194, Christiansted, St. Croix, VI (US)
00824

(**) Term: **14 Years**

(21) Appl. No.: **29/279,867**

(22) Filed: **May 9, 2007**

D298,494 S	11/1988	Mockett	
4,786,225 A	11/1988	Poe et al.	
5,144,777 A	9/1992	Fishel et al.	
5,167,047 A *	12/1992	Plumley 174/153 G
5,189,779 A	3/1993	Fishel et al.	
5,276,280 A	1/1994	Ball	
D354,903 S	1/1995	Mockett	
D358,980 S	6/1995	Mockett	
D361,711 S *	8/1995	Plumley D8/356
6,374,455 B1	4/2002	Regele et al.	
6,460,638 B1	10/2002	Strunsee et al.	
6,694,566 B1 *	2/2004	Mockett 16/2.1

Related U.S. Application Data

(60) Division of application No. 11/562,302, filed on Nov. 21, 2006, which is a continuation of application No. 11/347,398, filed on Feb. 6, 2006, now Pat. No. 7,155,775, which is a continuation of application No. 10/981,666, filed on Nov. 5, 2004, now abandoned, which is a continuation of application No. 10/736,513, filed on Dec. 17, 2003, now Pat. No. 6,877,184, which is a continuation of application No. 10/113,672, filed on Apr. 2, 2002, now Pat. No. 6,694,566, which is a continuation of application No. 07/901,684, filed on Jun. 22, 1992.

(51) **LOC (8) Cl.** **08-05**

(52) **U.S. Cl.** **D8/356**

(58) **Field of Classification Search** D8/356;
174/153 G; 16/2.1, 200
See application file for complete search history.

(56) **References Cited**

U.S. PATENT DOCUMENTS

3,783,175 A	1/1974	Timmons	
3,857,136 A	12/1974	Dean	
3,956,573 A	5/1976	Myers et al.	
4,053,701 A	10/1977	Ogilvie et al.	
4,344,205 A	8/1982	Latino et al.	
4,520,976 A	6/1985	Cournoyer et al.	
D285,044 S *	8/1986	Mockett D8/354
4,688,491 A	8/1987	Herrera et al.	
4,721,476 A	1/1988	Zeliff et al.	
4,730,363 A *	3/1988	Asbaghi 174/153 G
D296,761 S	7/1988	Mockett	

OTHER PUBLICATIONS

Exhibit 47 from Interference No. 103,260, dated Jan. 29, 1991 (3 pages).
Exhibit 48 from Interference No. 103,260, dated May 6, 1991 (6 pages).
Exhibit 51 from Interference No. 103,260, dated May 14, 1991 (1 page).
Deposition of Roger Plumley taken Mar. 11, 1994, and exhibits thereto.
Doug Mockett & Co., "Annual Report to our Clients and Friends," pp. 4 and 5 of 1989 stock catalog.
ITW Plastiglide "Stock Catalog" cover, inside cover, and pp. 67-70, 1990.

(Continued)

Primary Examiner—Holly H. Baynham
(74) *Attorney, Agent, or Firm*—Miles & Stockbridge PC;
James T. Carmichael

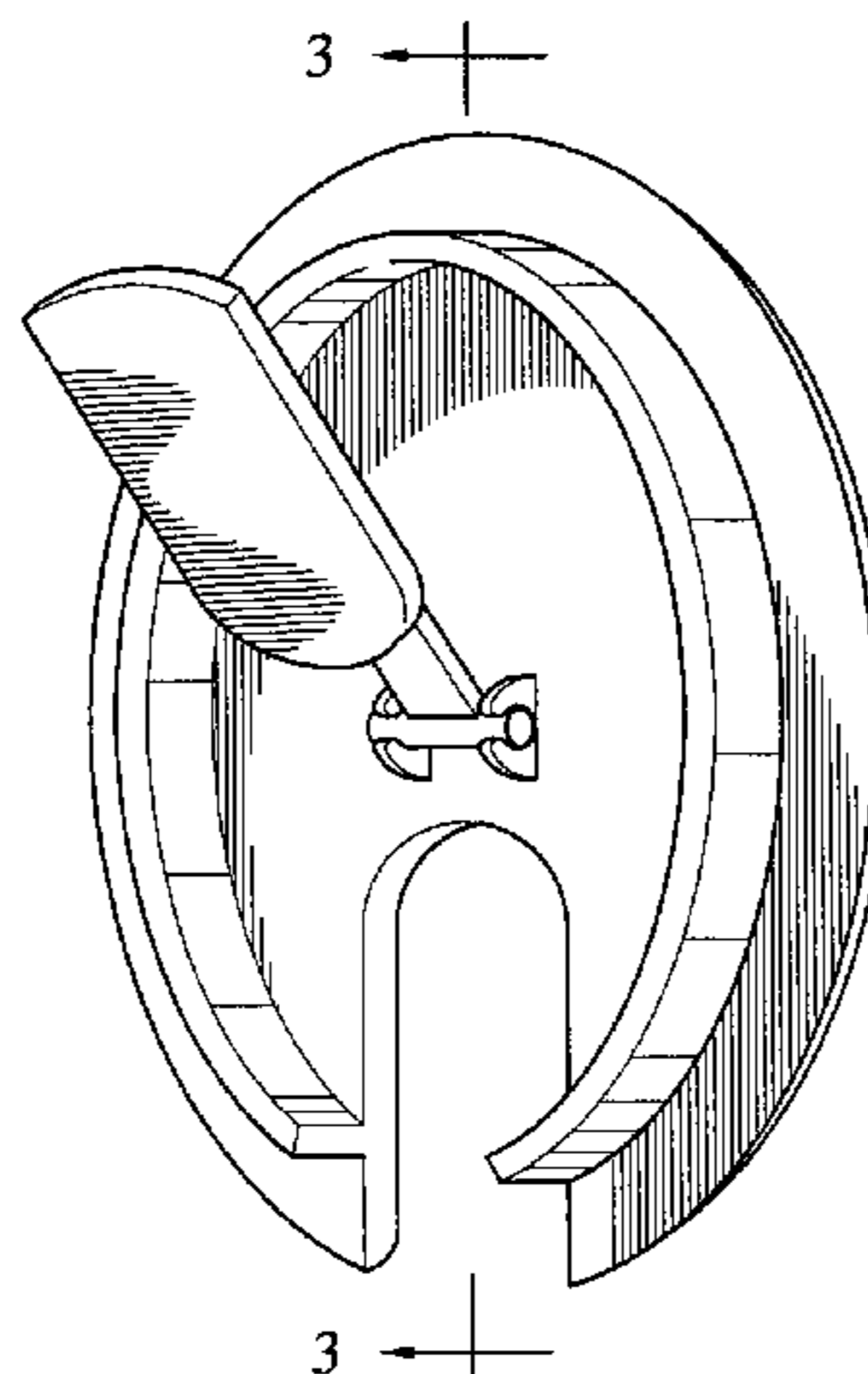
(57) **CLAIM**

The ornamental design for a grommet cap, as shown and described.

DESCRIPTION

FIG. 1 is a top perspective view of the grommet cap design. FIG. 2 is a bottom perspective view of the grommet cap design; and, FIG. 3 is a sectional view taken along line 3—3 of FIG. 2.

1 Claim, 1 Drawing Sheet



OTHER PUBLICATIONS

New Products from Old Rite Inc., 1 sheet, 1990.

Weber Knapp Company, "Cord Grommet" cover and inside cover, 1990.

E.B. Bradley Co., "Specialty Hardware and Laminate," p. 262 (1 sheet), 1990.

Outwater Plastic/Industries "Round Wire Management Grommets," 1990.

Final Decision Under 37 C.F.R. § 1.658, *Mockett v. Plumley*, Interference No. 103,260, Sep. 4, 2001 (19 pages).

Request for Reexamination of U.S. Patent No. 5,167,047 dated Jan. 21, 2003.

Request for Reexamination of U.S. Patent No. 5,167,047 dated Jan. 13, 2004.

United States Court of Appeals for the Federal Circuit, 05-1028, *Roger Plumley v. Douglas Alfred James Mockett*, Judgement, Oct. 21, 2005.

Notice of Motion and Motion to Lift Stay of Action dated Jul. 9, 2004.

Opposition of Plaintiff to Defendant's Motion to Lift Stay of Action dated Jul. 26, 2004.

Reply to Opposition to Motion to Lift Stay of Action dated Aug. 2, 2004.

Civil Minutes-General of Hon. George H. King dated Aug. 24, 2004.

Answer to Defendant Doug Mockett, Counterclaim for Patent Infringement and Demand for Jury Trial dated Sep. 28, 2004.

Reply Brief for Appellant Douglas Alfred James Mockett dated Dec. 20, 1999.

Brief for Appellee Roger Plumley dated Dec. 1, 1999.

Brief for Appellant Douglas Alfred James Mockett dated Oct. 21, 1999.

Brief for Appellant Douglas Alfred James Mockett, Appeal No. 05-1028 dated Dec. 14, 2004.

Request for Reexamination of U.S. Patent No. 5,167,047 dated Jan. 21, 2005.

PTO's Office action dated Apr. 11, 2005.

Brief for Appellee Roger Plumley, Appeal No. 05-1028 dated May 6, 2005.

Reply Brief of Appellant Douglas Alfred James Mockett, Appeal No. 05-1028 dated May 23, 2005.

Joint Appendix, Appeal No. 05-1028 dated May 31, 2005.

The Slidex Corp., "Wire Management Products" cover sheet.

Joint Appendix, Plumley v. Mockett, Appeal No. 99-1486, May 31, 2005.

Ruling and Statement of Decision, Doug Mockett & Co. v. Roger Plumley, Superior Court of California, County Los Angeles, No. BC094386 (8 pages), Sep. 29, 1995.

Douglas A.J. Mockett v. Roger K. Plumley, "Amended Complaint by Original Inventor to Set Aside Decision of Patent Appeals and Interferences," Civil Action No. 02-8271-R-VBKx, Oct. 31, 2002.

Answer of Defendant Doug Mockett, Counterclaim for Patent Infringement and Demand for Jury Trial, Case No. 2:04-cv-02868-GHK-Ex, Sep. 28, 2004.

Complaint for Damages and Injunctive Relief for Patent Infringement, Case No. CV04-2868, Apr. 23, 2004.

* cited by examiner

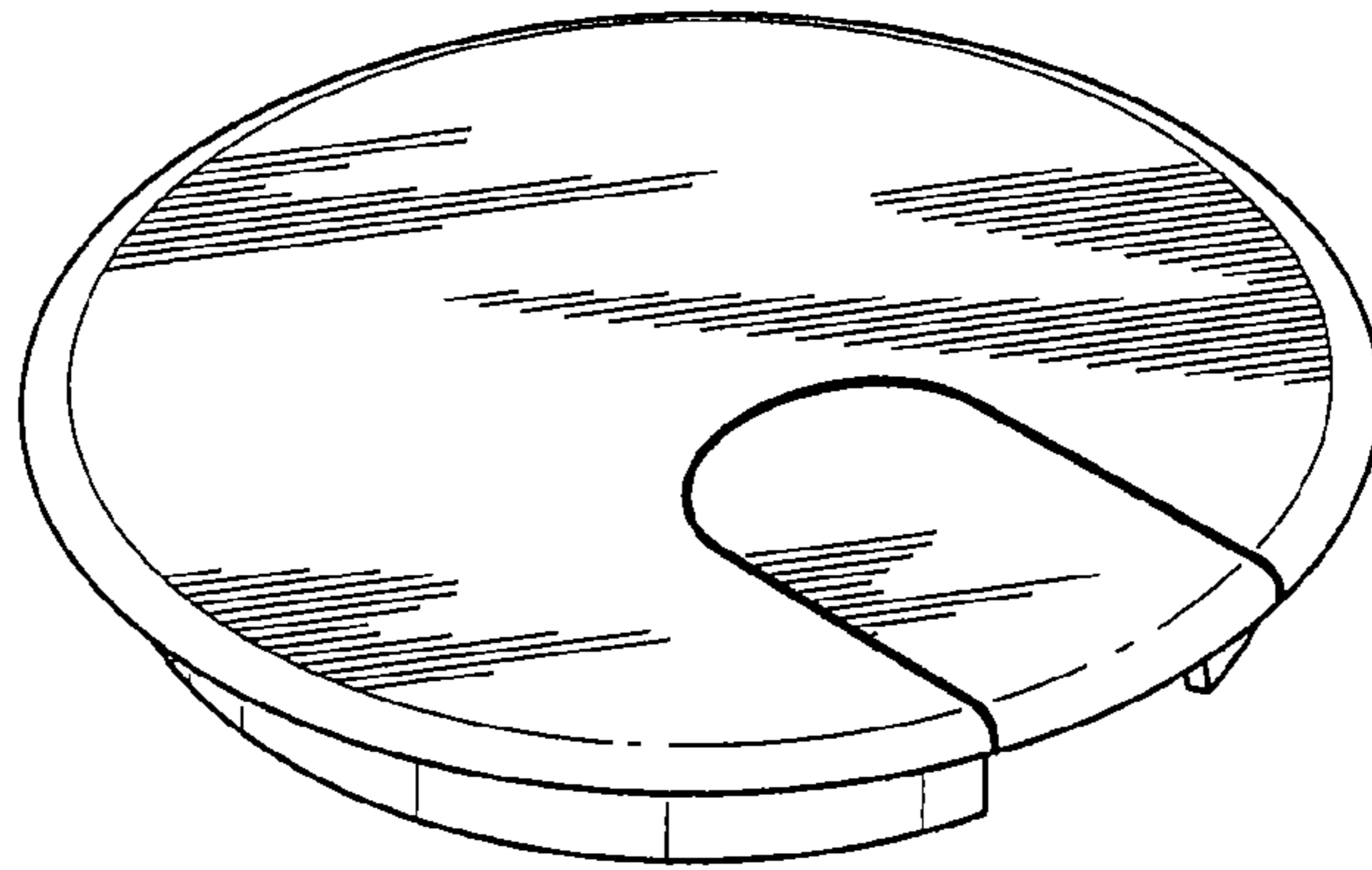


FIG. 1

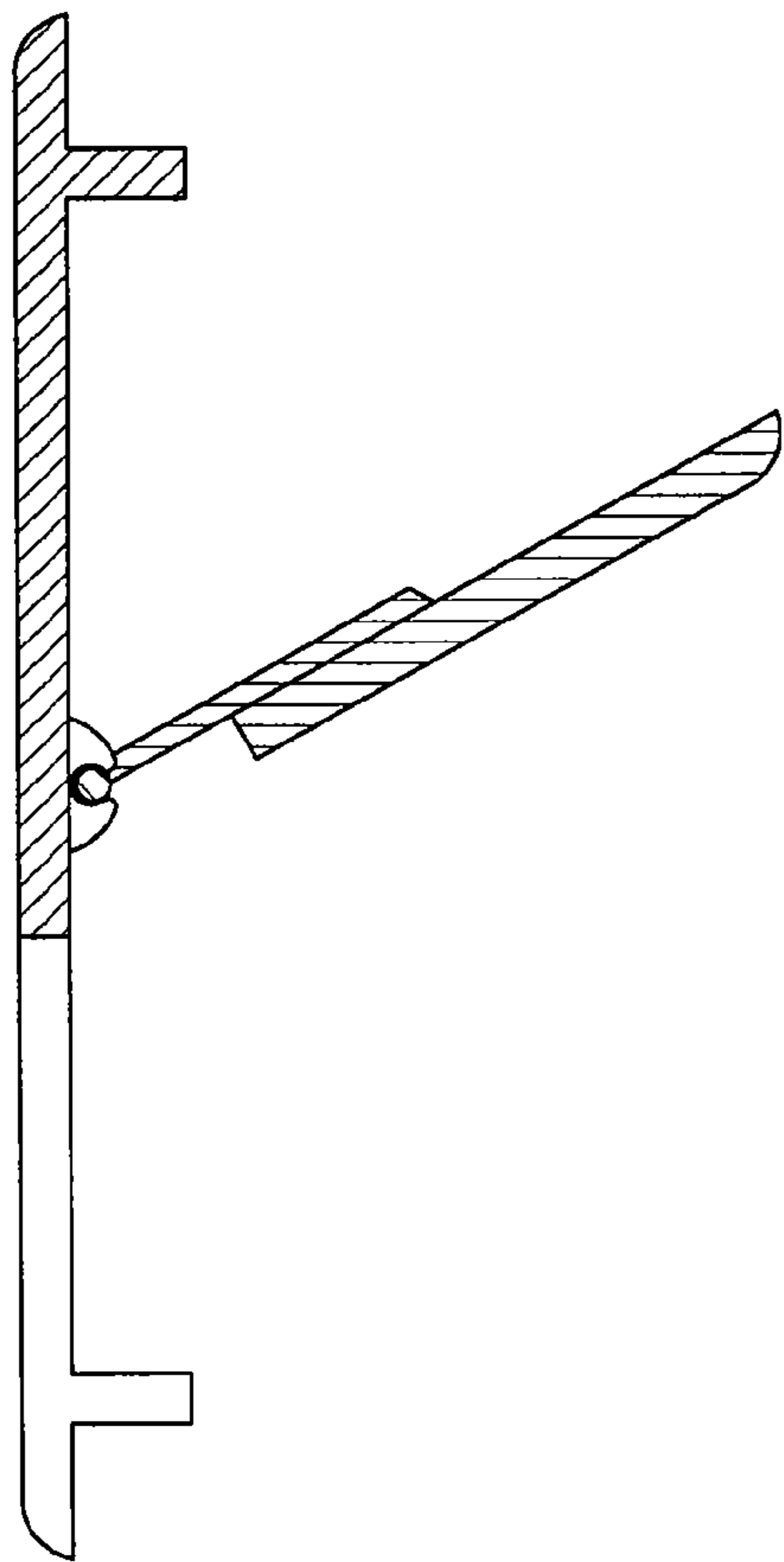


FIG. 3

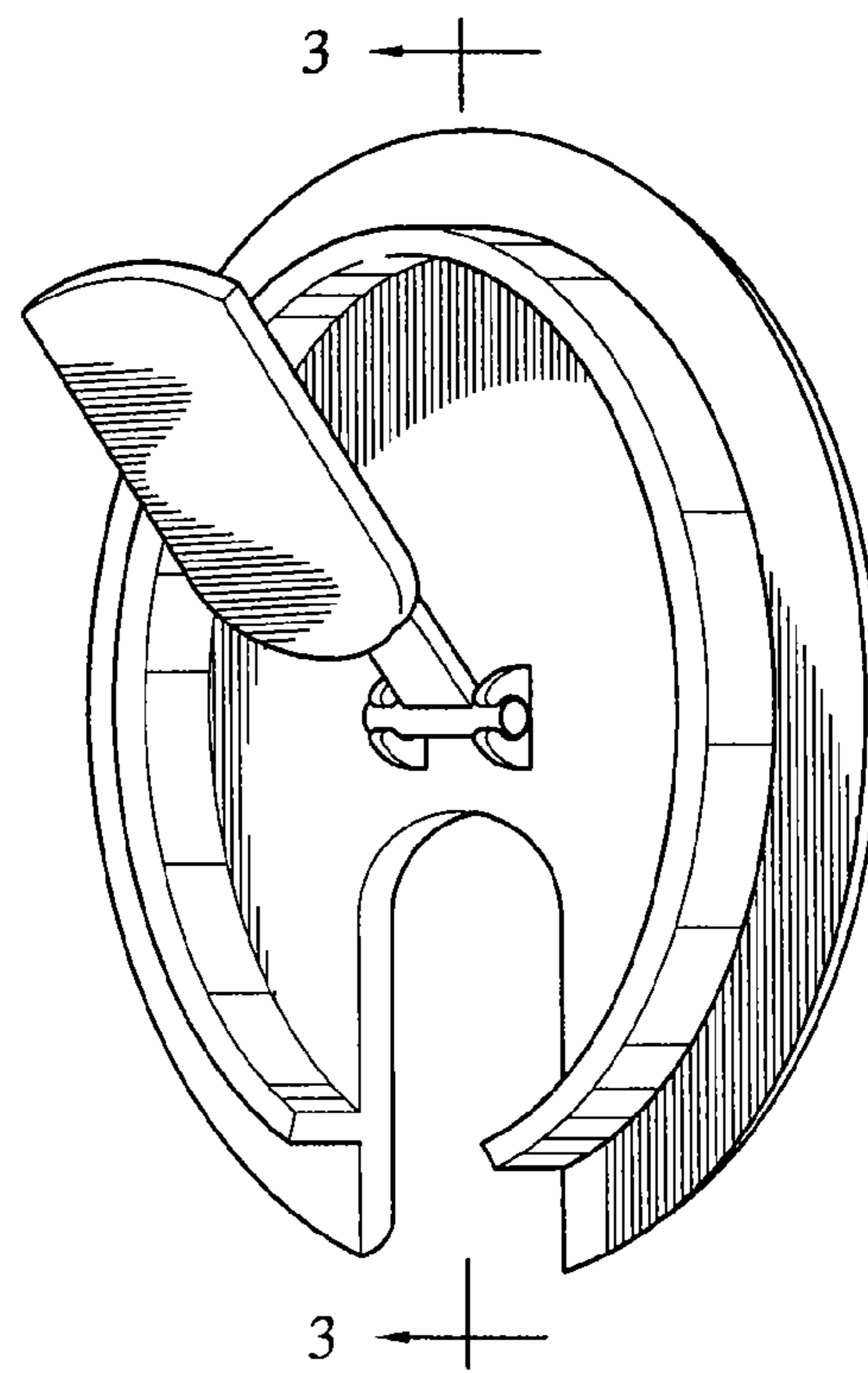


FIG. 2