



US00D560113S

(12) **United States Design Patent**  
**McPherson**

(10) **Patent No.:** **US D560,113 S**  
(45) **Date of Patent:** **\*\* Jan. 22, 2008**

- (54) **SECURITY BAR BRACKETS**
  - (76) Inventor: **Gary M. McPherson**, 138 Ranch Rd.,  
Wrightstown, PA (US) 18940
  - (\*\*) Term: **14 Years**
  - (21) Appl. No.: **29/268,719**
  - (22) Filed: **Nov. 8, 2006**
  - (51) **LOC (8) Cl.** ..... **08-05**
  - (52) **U.S. Cl.** ..... **D8/354**
  - (58) **Field of Classification Search** ..... D8/349,  
D8/354, 331; 70/417; 248/300, 309.1, 200;  
292/258
- See application file for complete search history.

- 4,869,087 A \* 9/1989 Day ..... 70/417
- 5,022,245 A 6/1991 Jordan et al.
- 5,193,865 A 3/1993 Allenbaugh
- 5,234,239 A 8/1993 Allenbaugh
- 5,282,656 A 2/1994 Fizer
- D405,678 S \* 2/1999 Baker ..... D8/331
- 6,382,689 B1 5/2002 Brown

\* cited by examiner

*Primary Examiner*—Holly H. Baynham  
(74) *Attorney, Agent, or Firm*—Paul & Paul

(57) **CLAIM**

The ornamental design for a security bar bracket, as shown and described.

(56) **References Cited**  
U.S. PATENT DOCUMENTS

978,004 A	12/1910	Burton
2,702,205 A	2/1955	Germain
3,328,920 A	7/1967	Cohen et al.
3,698,765 A	10/1972	Means
3,737,186 A	6/1973	Chezem
3,805,322 A	4/1974	Serrano
3,821,884 A	7/1974	Walsh
3,955,841 A	5/1976	Walker
4,190,985 A	3/1980	Richards et al.
4,272,113 A	6/1981	Zins
4,295,676 A	10/1981	Smith
4,314,721 A	2/1982	Clark
4,437,694 A	3/1984	Lillo
4,438,594 A	3/1984	Bunzl
4,461,502 A	7/1984	Burgess
4,570,985 A	2/1986	Waldo et al.
4,639,023 A	1/1987	Boisvert
4,676,537 A	6/1987	Esser

**DESCRIPTION**

FIG. 1 is front view of a right hand bracket of the present invention;

FIG. 2 is a right side elevation view of the right hand bracket of the FIG. 1;

FIG. 3 is a left side elevation view of the right hand bracket of FIG. 1;

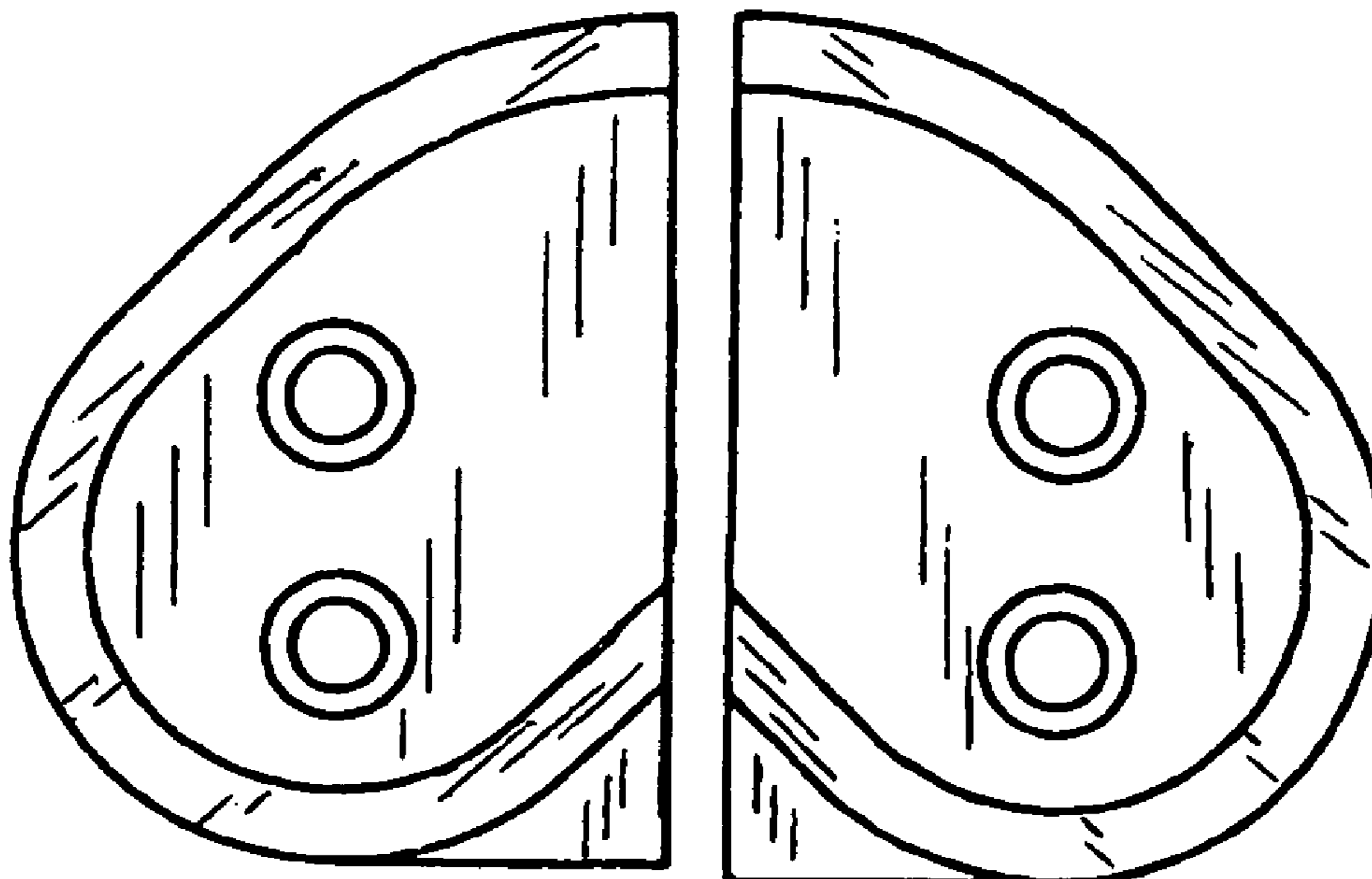
FIG. 4 is a top side elevation view of the right hand bracket of FIG. 1;

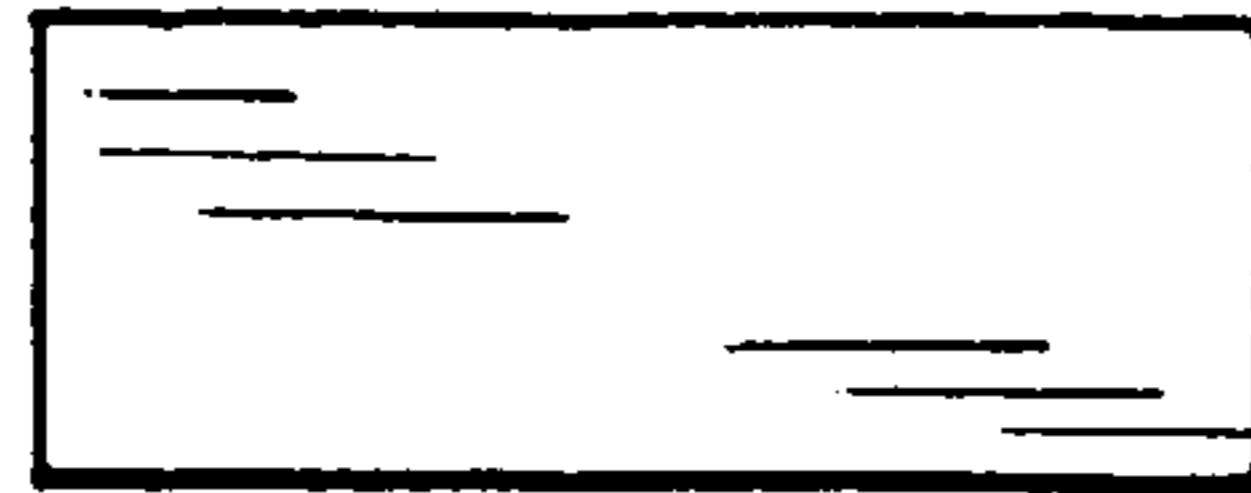
FIG. 5 is bottom side elevation view of the right hand bracket of FIG. 1;

FIG. 6 is a rear view of the right hand bracket of FIG. 1; and,

FIG. 7 is a front view of a left hand bracket of the present invention with the undisclosed views of the left hand bracket being mirror images of FIGS. 2–6.

**1 Claim, 1 Drawing Sheet**

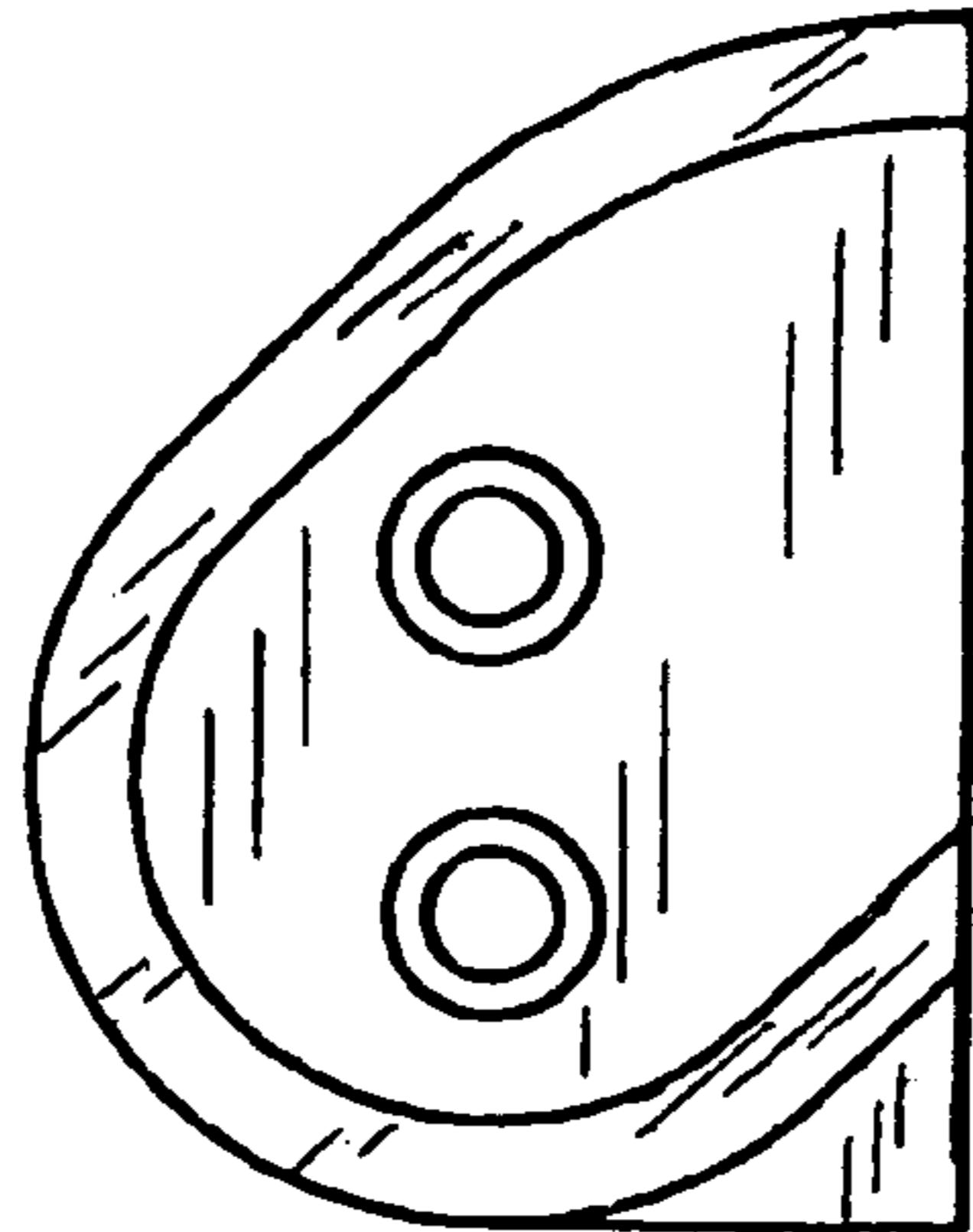




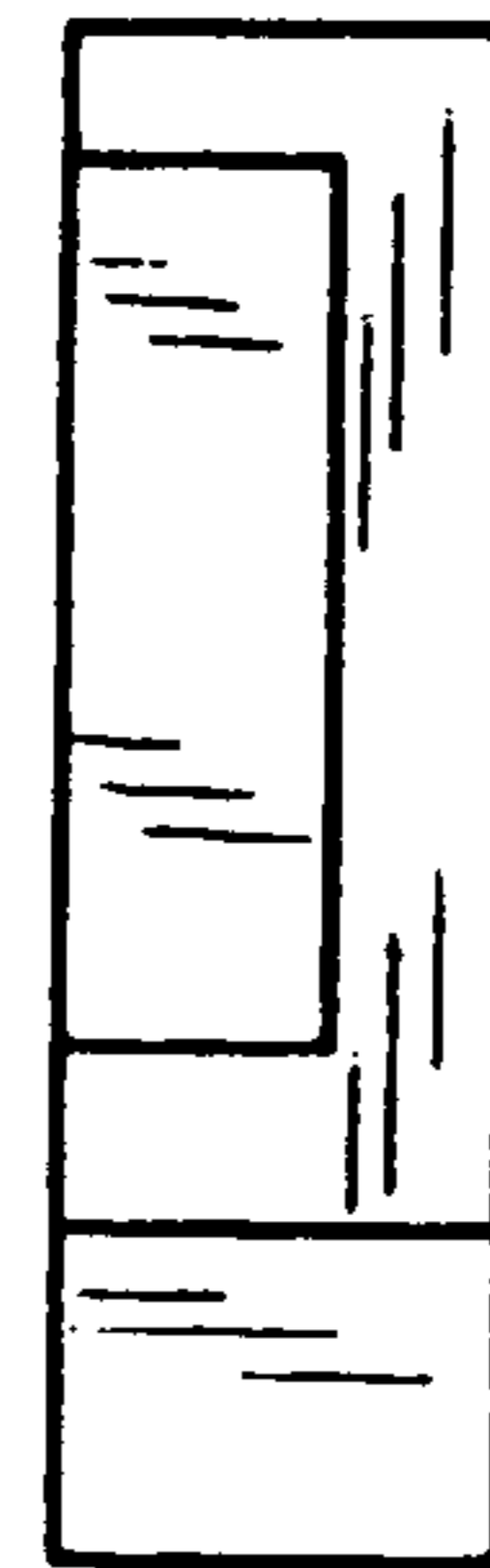
*Fig. 4*



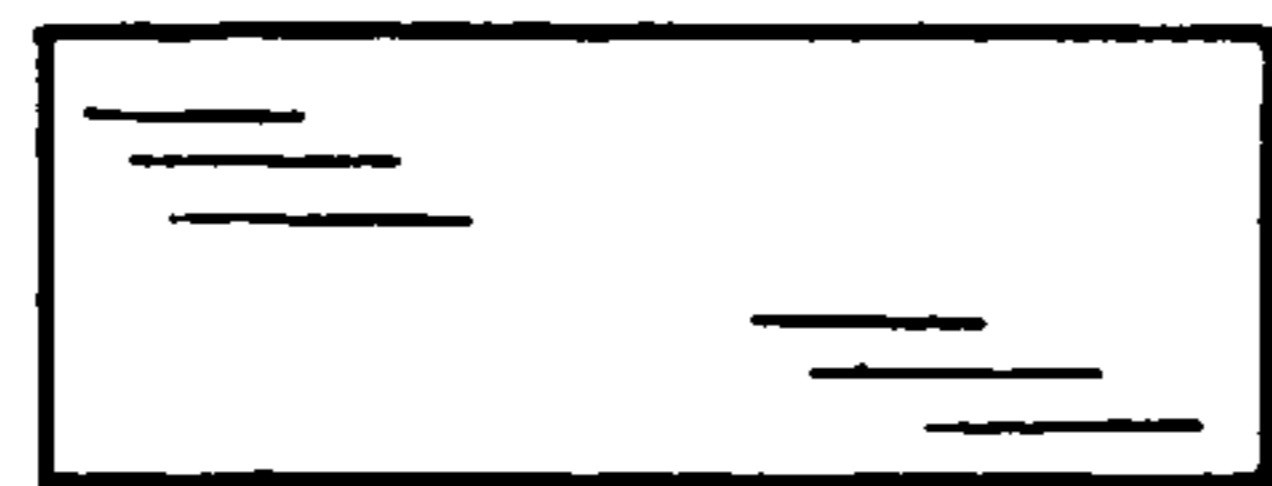
*Fig. 3*



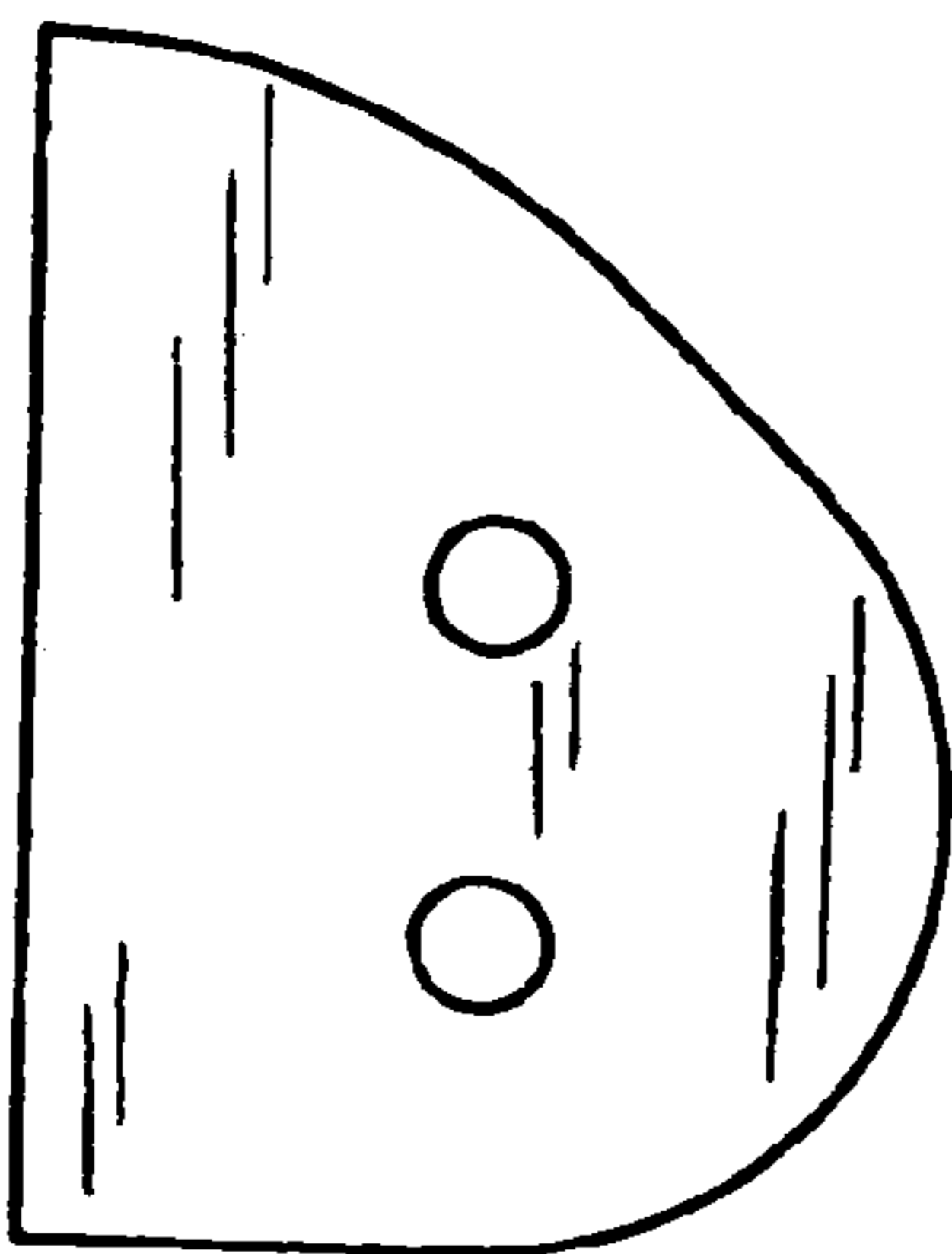
*Fig. 1*



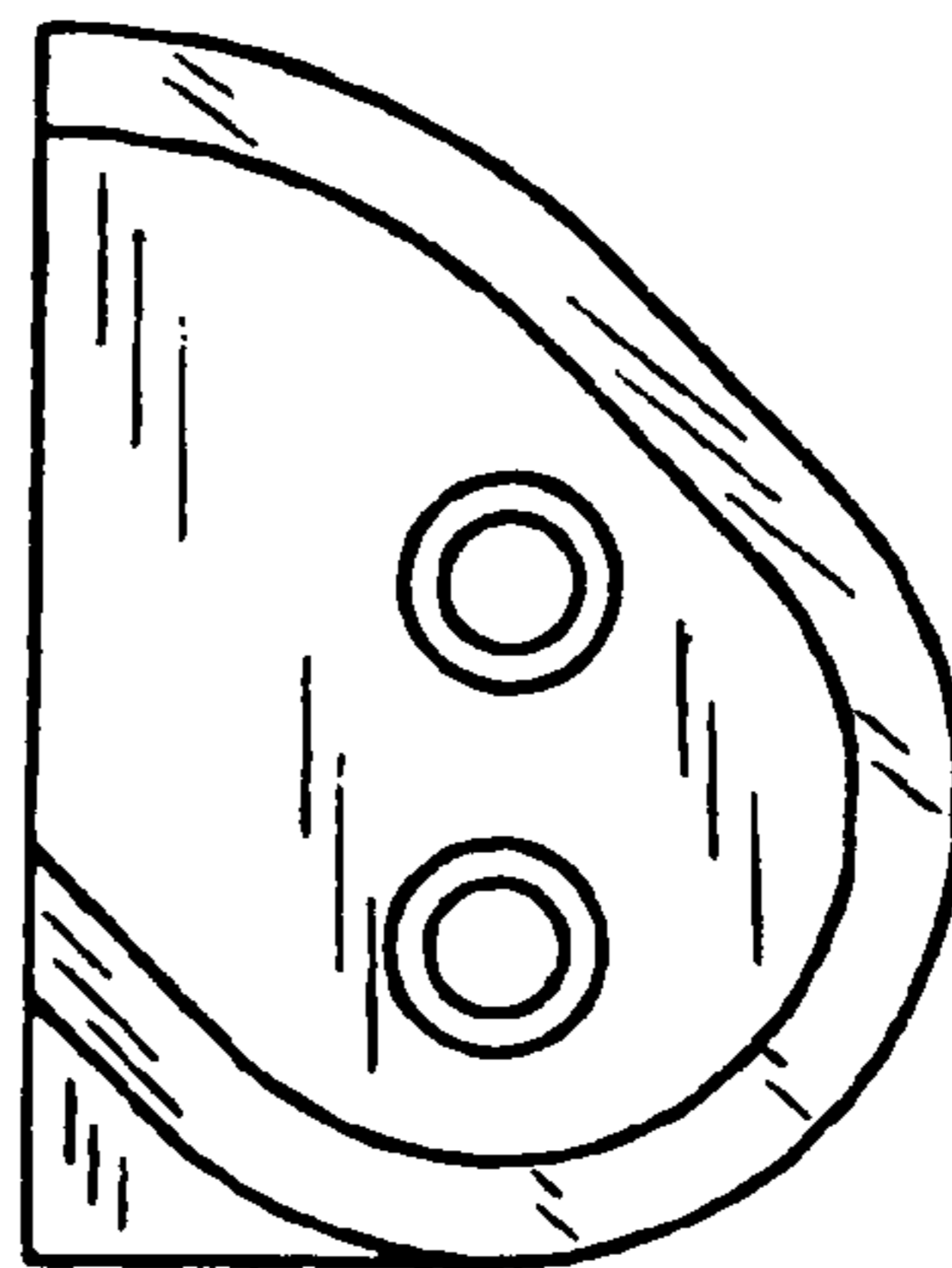
*Fig. 2*



*Fig. 5*



*Fig. 6*



*Fig. 7*