

US00D560111S

(12) **United States Design Patent**  
**Ricereto**

(10) **Patent No.:** **US D560,111 S**  
(45) **Date of Patent:** **\*\* Jan. 22, 2008**

(54) **PULL**  
(75) **Inventor:** **Michael Hart Ricereto**, Baltimore, MD  
(US)  
(73) **Assignee:** **Newell Operating Company**, Atlanta,  
GA (US)  
(\*\*) **Term:** **14 Years**  
(21) **Appl. No.:** **29/276,259**  
(22) **Filed:** **Jan. 19, 2007**

D178,865 S 10/1956 Clayton  
2,796,627 A 6/1957 Heyer  
D186,053 S 9/1959 Clayton  
D194,782 S \* 3/1963 Watt ..... D8/314  
D194,968 S 4/1963 Stelma  
3,096,115 A 7/1963 Patriquin et al.  
D199,839 S 12/1964 Simpson  
D200,953 S 4/1965 Menezes et al.  
D203,028 S \* 11/1965 Carsello ..... D8/317  
D203,147 S 12/1965 Kaiser  
D203,148 S 12/1965 Kaiser  
D204,128 S 3/1966 Clayton  
D204,461 S 4/1966 Volker

(51) **LOC (8) Cl.** ..... **08-06**  
(52) **U.S. Cl.** ..... **D8/316**  
(58) **Field of Classification Search** ..... D8/300,  
D8/302, 305, 307, 310-312, 315-321, DIG. 1,  
D8/DIG. 2; D7/393; D3/318; D23/250-254;  
D13/158, 171, 174; 292/347, 336.3; 200/336,  
200/341; 16/110.1, 412, 414-420, 443-446,  
16/441, 118, 111 R, 110 R, DIG. 19, DIG. 30  
See application file for complete search history.

(Continued)

**OTHER PUBLICATIONS**

Amerock Galleria Series 5" (128mm)c.c. Pull Product AME-  
BP53040-AN [http://www.thehardwarehut.com/catalog-product.php?p\\_ref=36102](http://www.thehardwarehut.com/catalog-product.php?p_ref=36102) 1 page cited on Aug. 29, 2007.\*

*Primary Examiner*—Stella M. Reid  
*Assistant Examiner*—Mark Goodwin  
(74) *Attorney, Agent, or Firm*—Banner & Witcoff, Ltd.

(56) **References Cited**  
**U.S. PATENT DOCUMENTS**

436,523 A 9/1890 Glover  
D22,755 S 8/1893 Russell  
D35,238 S 10/1901 Tower  
784,131 A 3/1905 Assel  
D47,069 S 3/1915 Burns  
D67,474 S 6/1925 Rosenthal  
2,002,817 A 5/1935 Johnson  
D98,440 S 2/1936 Martin  
D100,034 S 6/1936 McCormick  
D104,262 S 4/1937 Hewes  
D115,537 S 7/1939 Bahr  
D116,935 S 10/1939 Jung  
D121,558 S 7/1940 Borchers  
D127,190 S 5/1941 Jung  
D150,342 S \* 7/1948 Felver ..... D8/319  
D150,343 S \* 7/1948 Felver ..... D8/319  
D152,901 S 3/1949 Petersen  
D169,533 S 5/1953 Deadrick  
2,688,297 A 9/1954 Livermont et al.

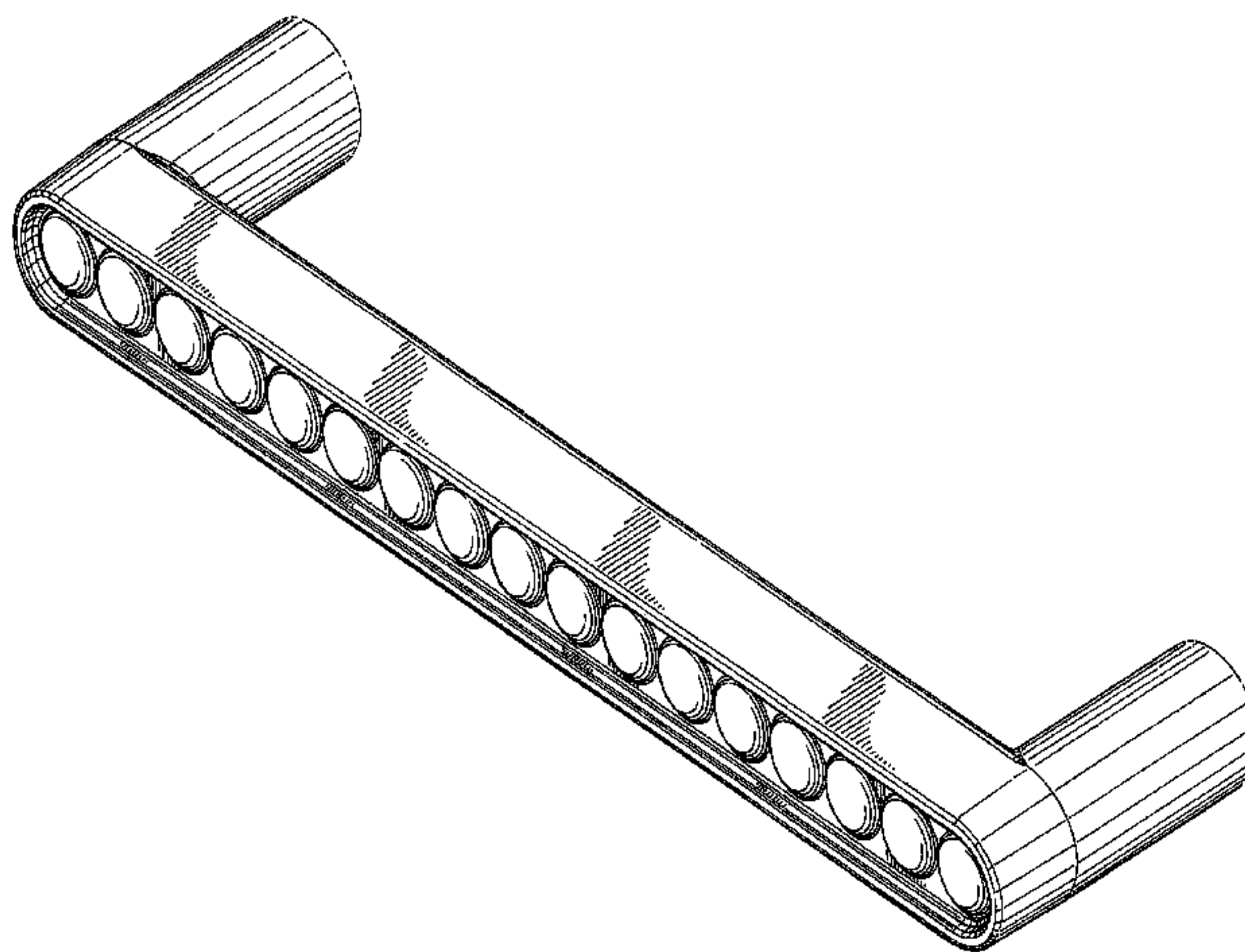
(57) **CLAIM**

I claim the ornamental design for a pull, as shown and described.

**DESCRIPTION**

FIG. 1 is an elevated perspective view of the pull of the present claimed design;  
FIG. 2 is a side view of the pull shown in FIG. 1, the opposite side being identical thereto;  
FIG. 3 is a front view of the pull shown in FIG. 1;  
FIG. 4 is an end view of the pull shown in FIG. 1, the opposite end view being identical thereto; and,  
FIG. 5 is a rear view of the pull shown in FIG. 1.  
Features shown in broken lines in the drawings are not part of the claim.

**1 Claim, 2 Drawing Sheets**



# US D560,111 S

## U.S. PATENT DOCUMENTS

D205,348 S	*	7/1966	Clayton	.....	D8/317	D368,640 S	4/1996	Sonnenleiter
D207,898 S		6/1967	Doman			D368,642 S	4/1996	Chieda
D208,689 S	*	9/1967	Morgan	.....	D8/317	D368,643 S	4/1996	Sonnenleiter
D217,431 S		5/1970	Russell			D368,644 S	4/1996	Bishop
D218,619 S	*	9/1970	Young	.....	D8/316	D368,842 S	4/1996	Sonnenleiter
D219,702 S		1/1971	Korol			D370,613 S	6/1996	Ainscough
D222,232 S		10/1971	Horgan			D370,614 S	6/1996	Ainscough
D224,225 S		7/1972	Doman			D371,062 S	6/1996	Ainscough
D232,621 S		9/1974	Zagaroli			D372,414 S	8/1996	De'Armond
D241,843 S		10/1976	Shames			D372,657 S	8/1996	De'Armond
D252,092 S		6/1979	Popeck			D372,659 S	8/1996	De'Armond
D252,183 S		6/1979	DeWindt			D373,065 S	8/1996	De'Armond
4,193,166 A		3/1980	Neff			D373,066 S	8/1996	De'Armond
D256,862 S		9/1980	Ryan et al.			D373,067 S	8/1996	De'Armond
D267,187 S		12/1982	Ronvik			D374,390 S	10/1996	De'Armond
D267,774 S		2/1983	Pittenger			D377,655 S	1/1997	Smith
D267,926 S		2/1983	Pittenger			D377,747 S	2/1997	De'Armond
D268,246 S		3/1983	Tegner			D381,252 S	7/1997	Chieda
D270,993 S		10/1983	Tegner			D386,667 S	11/1997	Smith
D270,994 S		10/1983	Tegner			D388,272 S	12/1997	Moore
D271,464 S		11/1983	Carlson			D396,179 S	7/1998	Burns et al.
D272,800 S		2/1984	Pawlow			D396,180 S	7/1998	Burns et al.
D274,035 S		5/1984	Pawlow			D399,117 S	10/1998	Burns et al.
D274,123 S		6/1984	Tegner			D399,406 S	10/1998	Decursu et al.
D284,737 S		7/1986	Clayton			D399,407 S	10/1998	Burns et al.
D290,337 S		6/1987	Savage			D399,723 S	10/1998	Burns et al.
D290,493 S		6/1987	Dragos			D401,834 S	12/1998	Burns et al.
D295,827 S		5/1988	Benjamin			D401,835 S	12/1998	Burns et al.
D296,073 S		6/1988	Rhoades			D403,230 S	12/1998	Ziemer et al.
D297,211 S		8/1988	Rhoades			D403,571 S	1/1999	Burns et al.
D300,505 S		4/1989	Palm, Jr. et al.			D406,745 S	3/1999	Burns et al.
D305,862 S		2/1990	Clayton			D411,728 S	6/1999	O'Neil
D305,863 S		2/1990	Gresens et al.			D411,793 S	7/1999	O'Neil
D312,381 S		11/1990	Clayton			D411,794 S	7/1999	O'Neil
D322,659 S		12/1991	Reid et al.			D411,795 S	7/1999	O'Neil
D323,726 S		2/1992	Murphy			D413,248 S	8/1999	O'Neil
D326,219 S		5/1992	Clayton			D414,100 S	9/1999	O'Neil
D326,990 S		6/1992	Bishop			D415,257 S	10/1999	Abel
D326,991 S		6/1992	Bishop			D415,405 S	10/1999	O'Neil
D326,992 S		6/1992	Clayton			D416,465 S	11/1999	O'Neil
D326,993 S		6/1992	Clayton			D418,387 S	1/2000	O'Neil
D326,994 S		6/1992	Bishop			D418,388 S	1/2000	O'Neil
D326,997 S		6/1992	Clayton			D418,389 S	1/2000	O'Neil
D327,196 S		6/1992	Crook et al.			D418,803 S	1/2000	Klimenko
D327,407 S		6/1992	Clayton			D429,455 S	8/2000	Burns et al.
D327,420 S		6/1992	Bishop			D429,991 S	8/2000	Short
D327,530 S		6/1992	Rawald			D431,442 S	10/2000	Short
D333,697 S		3/1993	Thomas			D431,444 S	10/2000	Short
5,255,413 A		10/1993	Sabo			D431,445 S	10/2000	Short
D343,107 S	*	1/1994	Fulton	.....	D8/315	D431,996 S	10/2000	Short
5,333,430 A		8/1994	Vidal			D434,633 S	12/2000	Short
D355,834 S		2/1995	Chieda			D434,962 S	12/2000	Short
D355,835 S		2/1995	Chieda			D434,963 S	12/2000	Short
D355,837 S		2/1995	Chieda			D435,424 S	12/2000	Short
D355,838 S		2/1995	Chieda			D435,426 S	12/2000	Short
D355,839 S		2/1995	Chieda			D437,202 S	2/2001	O'Neil
D356,724 S		3/1995	Chieda			D442,462 S	5/2001	Dewald et al.
D357,168 S		4/1995	Chieda			D506,378 S	6/2005	Coudurier
D361,491 S		8/1995	Chieda			D513,694 S	* 1/2006	Vitkauskas ..... D8/300
D361,492 S		8/1995	Chieda			D526,883 S	8/2006	Gilbert
D361,493 S		8/1995	Chieda			D541,131 S	4/2007	Ricereto et al.
D361,496 S		8/1995	Chieda			D541,619 S	5/2007	Ricereto
D361,498 S		8/1995	Chieda			D542,116 S	5/2007	Ricereto et al.
D361,707 S		8/1995	Chieda			D542,119 S	5/2007	Ricereto
D366,998 S		2/1996	Hollingsworth			D542,622 S	5/2007	Ricereto
D367,217 S		2/1996	Hollingsworth-Ainscough			D542,623 S	5/2007	Ricereto
D367,417 S		2/1996	Ainscough			D543,088 S	5/2007	Ricereto
D368,014 S		3/1996	Ainscough			D543,436 S	5/2007	Ricereto
D368,638 S		4/1996	Sonnenleiter			D545,665 S	7/2007	Ricereto et al.
D368,639 S		4/1996	Chieda					

\* cited by examiner



FIG. 2

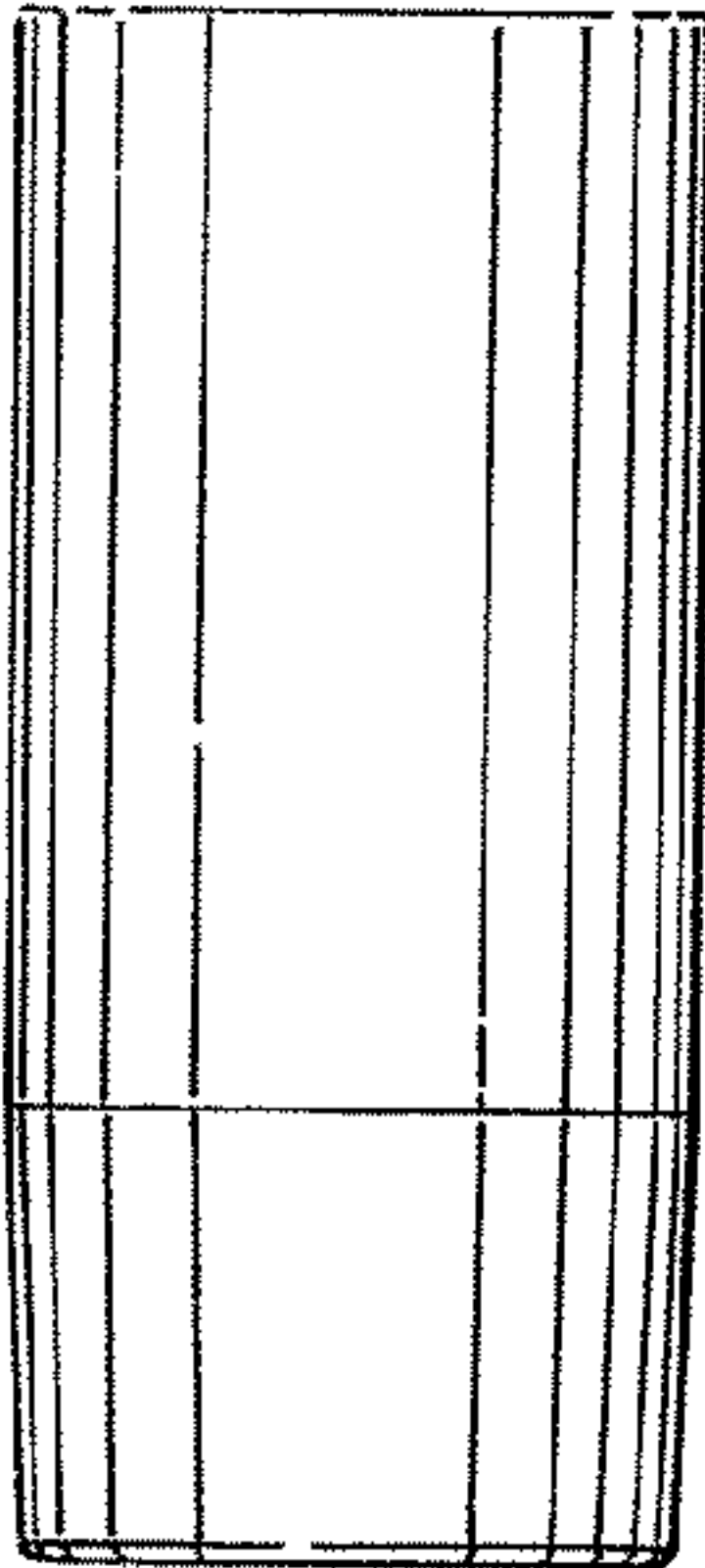


FIG. 1

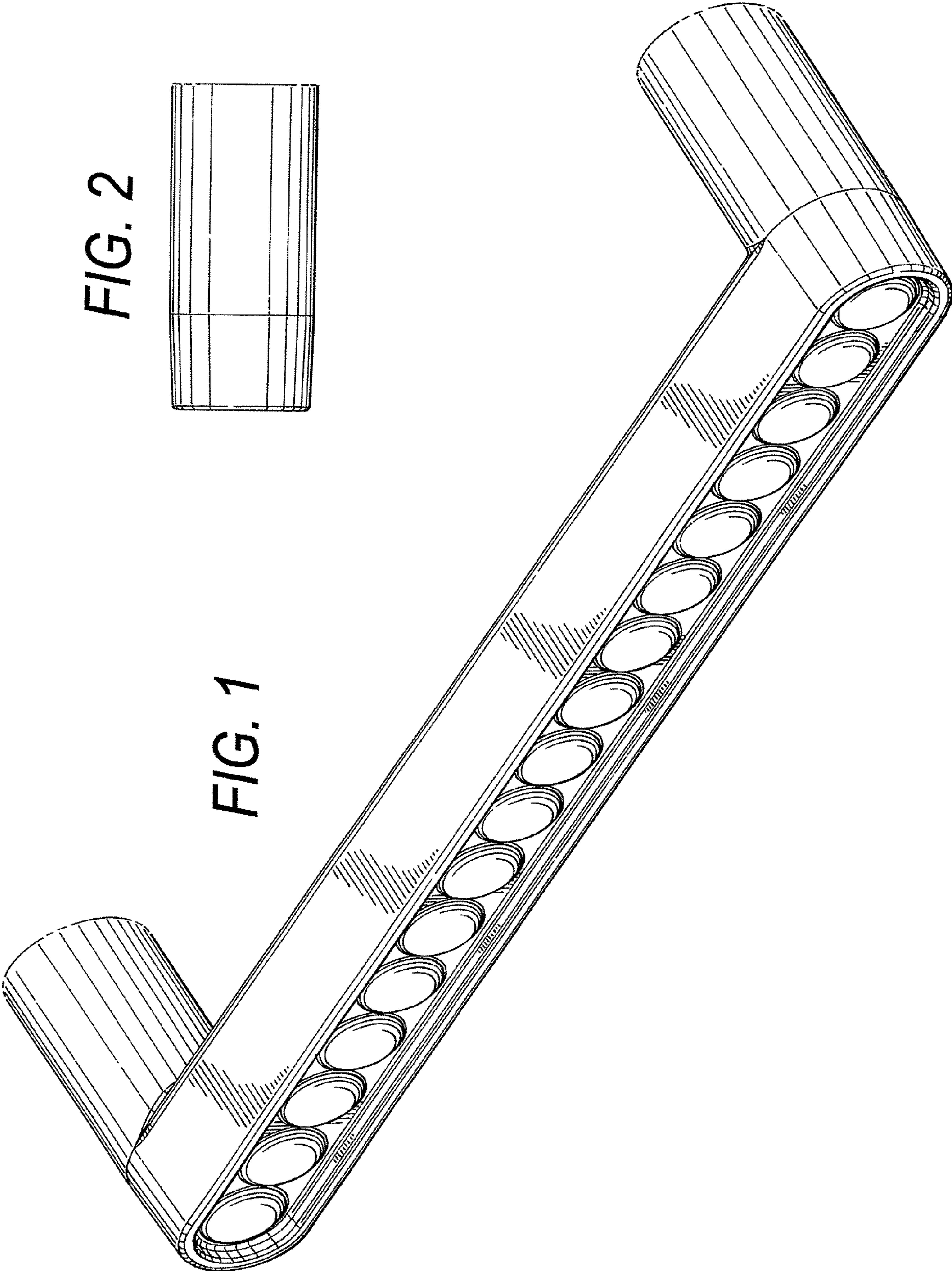


FIG. 3

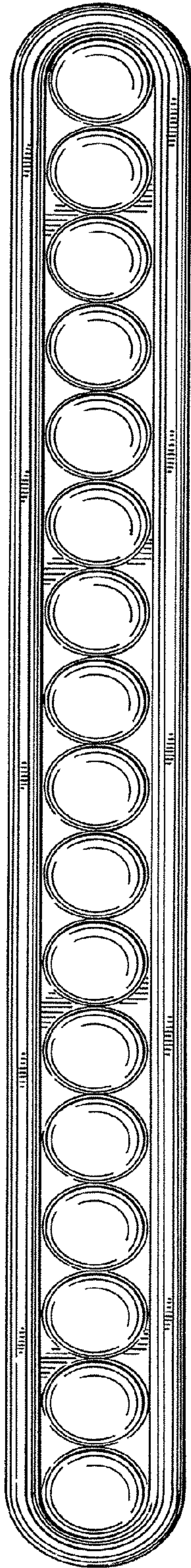


FIG. 4

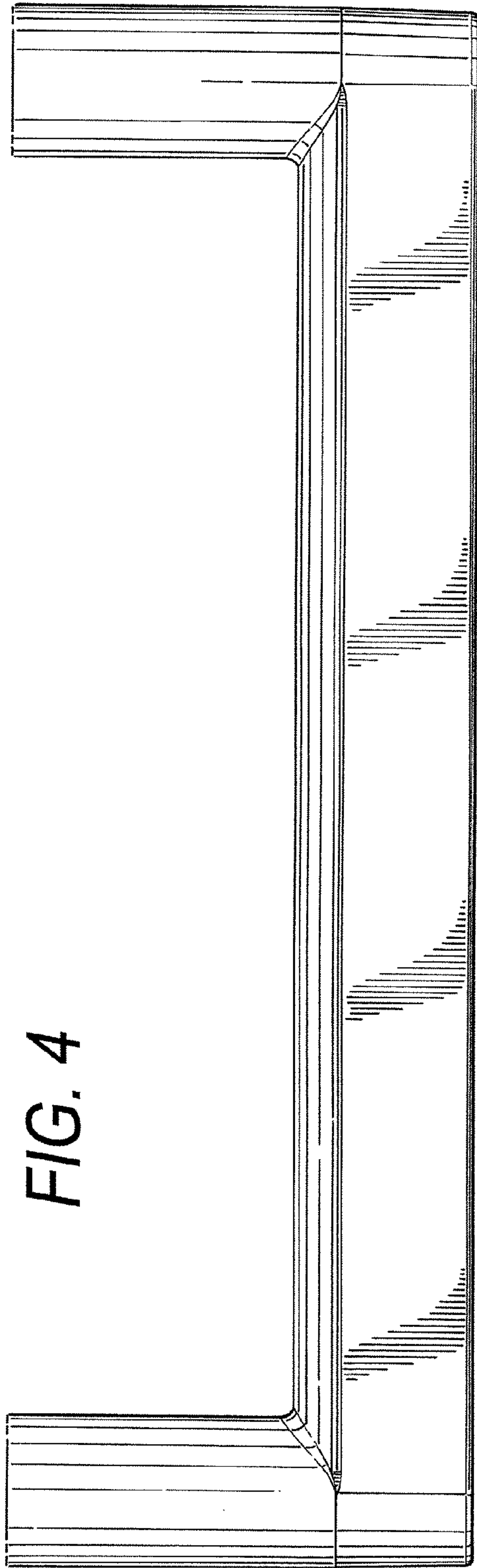


FIG. 5

