



US00D560110S

(12) **United States Design Patent**
Ricereto

(10) **Patent No.:** **US D560,110 S**
(45) **Date of Patent:** **** Jan. 22, 2008**

(54) **KNOB**
(75) Inventor: **Michael Hart Ricereto**, Baltimore, MD (US)
(73) Assignee: **Newell Operating Company**, Atlanta, GA (US)
(**) Term: **14 Years**
(21) Appl. No.: **29/276,263**
(22) Filed: **Jan. 19, 2007**

(51) **LOC (8) Cl.** **08-06**
(52) **U.S. Cl.** **D8/310**
(58) **Field of Classification Search** D8/300,
D8/302, 305, 307, 310-312, DIG. 1, DIG. 2;
D7/393; D3/318; D23/250-254; D13/158,
D13/171, 174; 292/347, 336.3; 200/336,
200/341; 16/110.1, 412, 414-420, 443-446,
16/441, 118, 111 R, 110 R, DIG. 19, DIG. 30;
D24/137; 600/200

See application file for complete search history.

(56) **References Cited**

U.S. PATENT DOCUMENTS

436,523 A 9/1890 Glover
D22,755 S 8/1893 Russell
D35,238 S 10/1901 Tower
784,131 A 3/1905 Assel
D47,069 S 3/1915 Burns
D67,474 S 6/1925 Rosenthal
2,002,817 A 5/1935 Johnson
D98,440 S 2/1936 Martin
D100,034 S 6/1936 McCormick
D104,262 S 4/1937 Hewes
D115,537 S 7/1939 Bahr
D116,935 S 10/1939 Jung
D121,558 S 7/1940 Borchers
D127,190 S 5/1941 Jung
D152,901 S 3/1949 Petersen
D169,533 S 5/1953 Deadrick
2,688,297 A 9/1954 Livermont et al.
D178,865 S 10/1956 Clayton
2,796,627 A 6/1957 Heyer
D186,053 S 9/1959 Clayton

D194,968 S 4/1963 Stelma
3,096,115 A 7/1963 Patriquin et al.
D199,839 S 12/1964 Simpson
D200,953 S 4/1965 Menezes et al.
D203,147 S 12/1965 Kaiser
D203,148 S 12/1965 Kaiser
D204,128 S 3/1966 Clayton
D204,461 S 4/1966 Volker
D206,521 S * 12/1966 Bottom D8/310
D207,898 S 6/1967 Doman
D217,431 S 5/1970 Russell
D219,702 S 1/1971 Korol
D222,232 S 10/1971 Horgan
D224,225 S 7/1972 Doman
D232,621 S 9/1974 Zagaroli

(Continued)

OTHER PUBLICATIONS

Amerock Galleria Series 1-3/8" (35mm) Knob Product AME-BP53041-AN http://www.thehardwarehut.com/catalog-product.php?p_ref=36103 1 page cited on Aug. 29, 2007.*

Primary Examiner—Stella M. Reid
Assistant Examiner—Mark Goodwin
(74) *Attorney, Agent, or Firm*—Banner & Witcoff, Ltd.

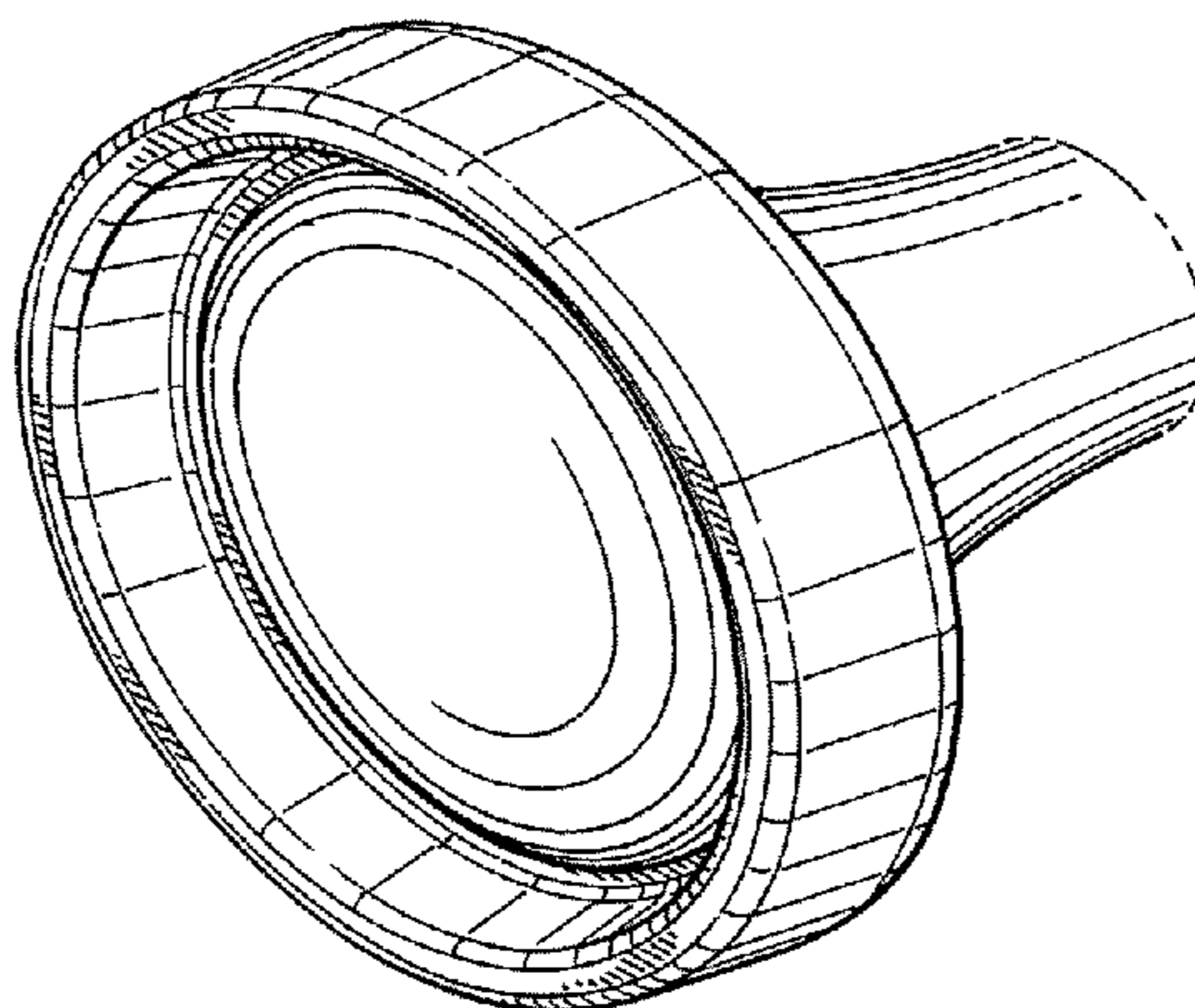
(57) **CLAIM**

I claim the ornamental design for a knob, as shown and described.

DESCRIPTION

FIG. 1 is an elevated perspective view of the knob of the present invention;
FIG. 2 is a front view of the knob shown in FIG. 1;
FIG. 3 is a side view of the knob shown in FIG. 1, each side view being identical thereto; and,
FIG. 4 is a rear view of the knob shown in FIG. 1.
Features shown in broken lines in the drawings are not part of the claim.

1 Claim, 1 Drawing Sheet



US D560,110 S

Page 2

U.S. PATENT DOCUMENTS				
D232,626 S	*	9/1974	Smallwood	D10/60
D241,843 S		10/1976	Shames	
D252,092 S		6/1979	Popeck	
D252,183 S		6/1979	DeWindt	
4,193,166 A		3/1980	Neff	
D256,862 S		9/1980	Ryan et al.	
D267,187 S		12/1982	Ronvik	
D267,774 S		2/1983	Pittenger	
D267,926 S		2/1983	Pittenger	
D268,246 S		3/1983	Tegner	
D270,993 S		10/1983	Tegner	
D270,994 S		10/1983	Tegner	
D271,464 S		11/1983	Carlson	
D272,800 S		2/1984	Pawlow	
D274,035 S		5/1984	Pawlow	
D274,123 S		6/1984	Tegner	
D284,737 S		7/1986	Clayton	
D290,337 S		6/1987	Savage	
D290,493 S		6/1987	Dragos	
D295,827 S		5/1988	Benjamin	
D296,073 S		6/1988	Rhoades	
D297,211 S		8/1988	Rhoades	
D300,505 S		4/1989	Palm, Jr. et al.	
D301,681 S	*	6/1989	Jans	D8/312
D305,862 S		2/1990	Clayton	
D305,863 S		2/1990	Gresens et al.	
D312,381 S		11/1990	Clayton	
D322,659 S		12/1991	Reid et al.	
D323,726 S		2/1992	Murphy	
D326,219 S		5/1992	Clayton	
D326,990 S		6/1992	Bishop	
D326,991 S		6/1992	Bishop	
D326,992 S		6/1992	Clayton	
D326,993 S		6/1992	Clayton	
D326,994 S		6/1992	Bishop	
D326,997 S		6/1992	Clayton	
D327,196 S		6/1992	Crook et al.	
D327,407 S		6/1992	Clayton	
D327,420 S		6/1992	Bishop	
D327,530 S		6/1992	Rawald	
D328,419 S	*	8/1992	Brayford	D8/402
D333,697 S		3/1993	Thomas	
5,255,413 A		10/1993	Sabo	
5,333,430 A		8/1994	Vidal	
D355,834 S		2/1995	Chieda	
D355,835 S		2/1995	Chieda	
D355,837 S		2/1995	Chieda	
D355,838 S		2/1995	Chieda	
D355,839 S		2/1995	Chieda	
D356,724 S		3/1995	Chieda	
D357,168 S		4/1995	Chieda	
D357,851 S	*	5/1995	Off	D8/310
D361,491 S		8/1995	Chieda	
D361,492 S		8/1995	Chieda	
D361,493 S		8/1995	Chieda	
D361,496 S		8/1995	Chieda	
D361,498 S		8/1995	Chieda	
D361,707 S		8/1995	Chieda	
D366,998 S		2/1996	Hollingsworth	
D367,217 S		2/1996	Hollingsworth-Ainscough	
D367,417 S		2/1996	Ainscough	
D368,014 S		3/1996	Ainscough	
5,499,427 A	*	3/1996	Bowman	16/417
D368,638 S		4/1996	Sonnenleiter	
D368,639 S		4/1996	Chieda	
D368,640 S		4/1996	Sonnenleiter	
D368,642 S		4/1996	Chieda	
D368,643 S		4/1996	Sonnenleiter	
D368,644 S		4/1996	Bishop	
D368,842 S		4/1996	Sonnenleiter	
D370,613 S		6/1996	Ainscough	
D370,614 S		6/1996	Ainscough	
D371,062 S		6/1996	Ainscough	
D372,185 S	*	7/1996	Doughty et al.	D8/310
D372,414 S		8/1996	De'Armond	
D372,657 S		8/1996	De'Armond	
D372,659 S		8/1996	De'Armond	
D373,065 S		8/1996	De'Armond	
D373,066 S		8/1996	De'Armond	
D373,067 S		8/1996	De'Armond	
D374,390 S		10/1996	De'Armond	
D377,655 S		1/1997	Smith	
D377,747 S		2/1997	De'Armond	
D381,252 S		7/1997	Chieda	
D383,371 S	*	9/1997	Doughty et al.	D8/310
D386,667 S		11/1997	Smith	
D388,272 S		12/1997	Moore	
D396,179 S		7/1998	Burns et al.	
D396,180 S		7/1998	Burns et al.	
D399,117 S		10/1998	Burns et al.	
D399,406 S		10/1998	Decursu et al.	
D399,407 S		10/1998	Burns et al.	
D399,723 S		10/1998	Burns et al.	
D401,834 S		12/1998	Burns et al.	
D401,835 S		12/1998	Burns et al.	
D403,230 S		12/1998	Ziemer et al.	
D403,571 S		1/1999	Burns et al.	
D406,745 S		3/1999	Burns et al.	
D411,728 S		6/1999	O'Neil	
D411,793 S		7/1999	O'Neil	
D411,794 S		7/1999	O'Neil	
D411,795 S		7/1999	O'Neil	
D413,248 S		8/1999	O'Neil	
D414,100 S		9/1999	O'Neil	
D415,257 S		10/1999	Abel	
D415,405 S		10/1999	O'Neil	
D416,465 S		11/1999	O'Neil	
D418,387 S		1/2000	O'Neil	
D418,388 S		1/2000	O'Neil	
D418,389 S		1/2000	O'Neil	
D418,803 S		1/2000	Klimenko	
D429,455 S		8/2000	Burns et al.	
D429,991 S		8/2000	Short	
D431,442 S		10/2000	Short	
D431,444 S		10/2000	Short	
D431,445 S		10/2000	Short	
D431,996 S		10/2000	Short	
D434,633 S		12/2000	Short	
D434,962 S		12/2000	Short	
D434,963 S		12/2000	Short	
D435,424 S		12/2000	Short	
D435,426 S		12/2000	Short	
D437,202 S		2/2001	O'Neil	
D442,462 S		5/2001	Dewald et al.	
D443,174 S	*	6/2001	Rae	D7/393
D452,413 S	*	12/2001	Rae	D7/393
D492,887 S	*	7/2004	Wu	D8/310
D493,686 S	*	8/2004	Fields	D8/310
D506,378 S		6/2005	Coudurier	
D526,883 S		8/2006	Gilbert	
D541,131 S		4/2007	Ricereto et al.	
D541,619 S		5/2007	Ricereto	
D542,115 S	*	5/2007	Hanna et al.	D8/310
D542,116 S		5/2007	Ricereto et al.	
D542,119 S		5/2007	Ricereto	
D542,622 S		5/2007	Ricereto	
D542,623 S		5/2007	Ricereto	
D543,088 S		5/2007	Ricereto	
D543,436 S		5/2007	Ricereto	
D545,664 S	*	7/2007	Fields	D8/310
D545,665 S		7/2007	Ricereto et al.	
2004/0078933 A1	*	4/2004	Forrest	16/417

* cited by examiner

FIG. 1

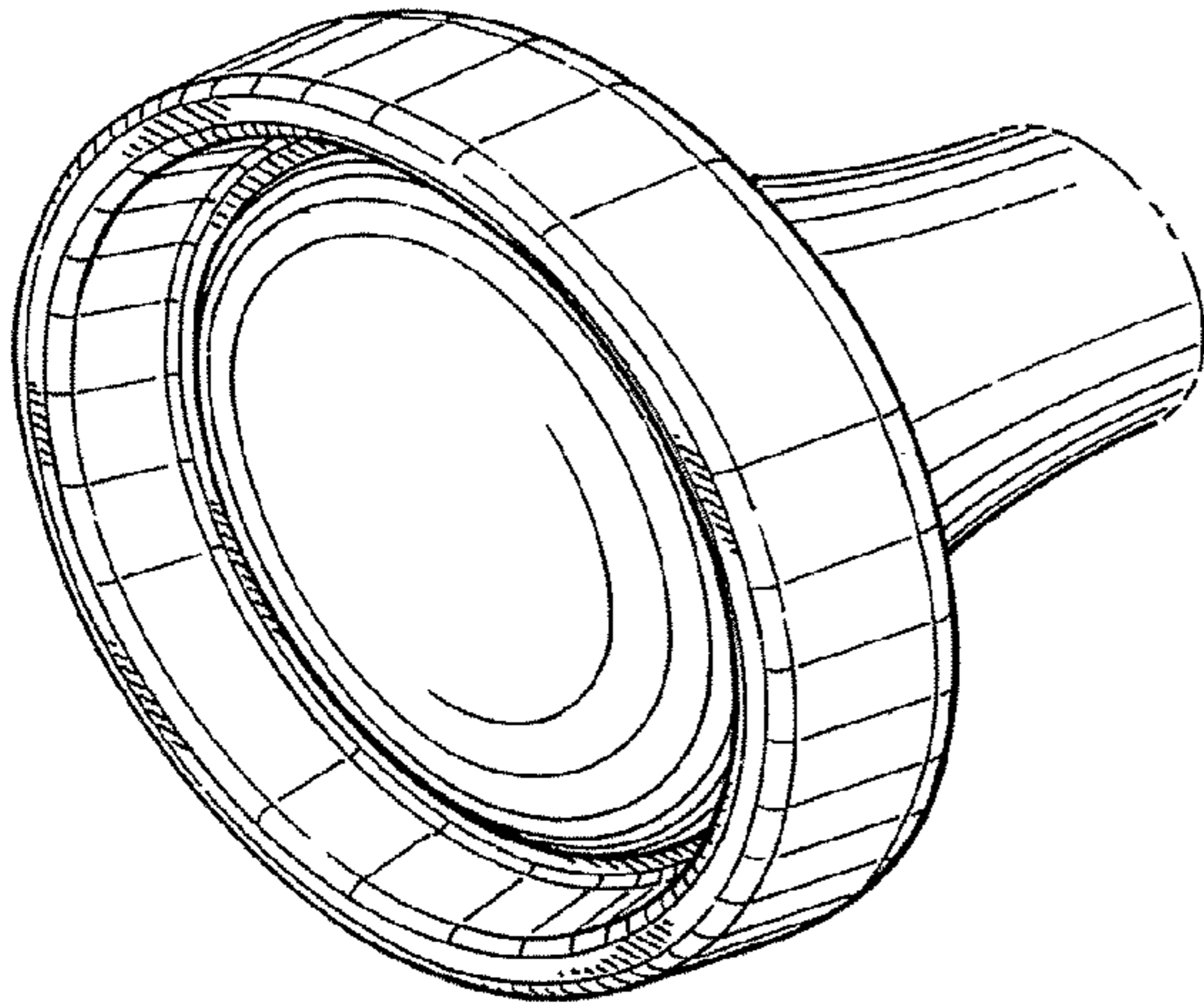


FIG. 2

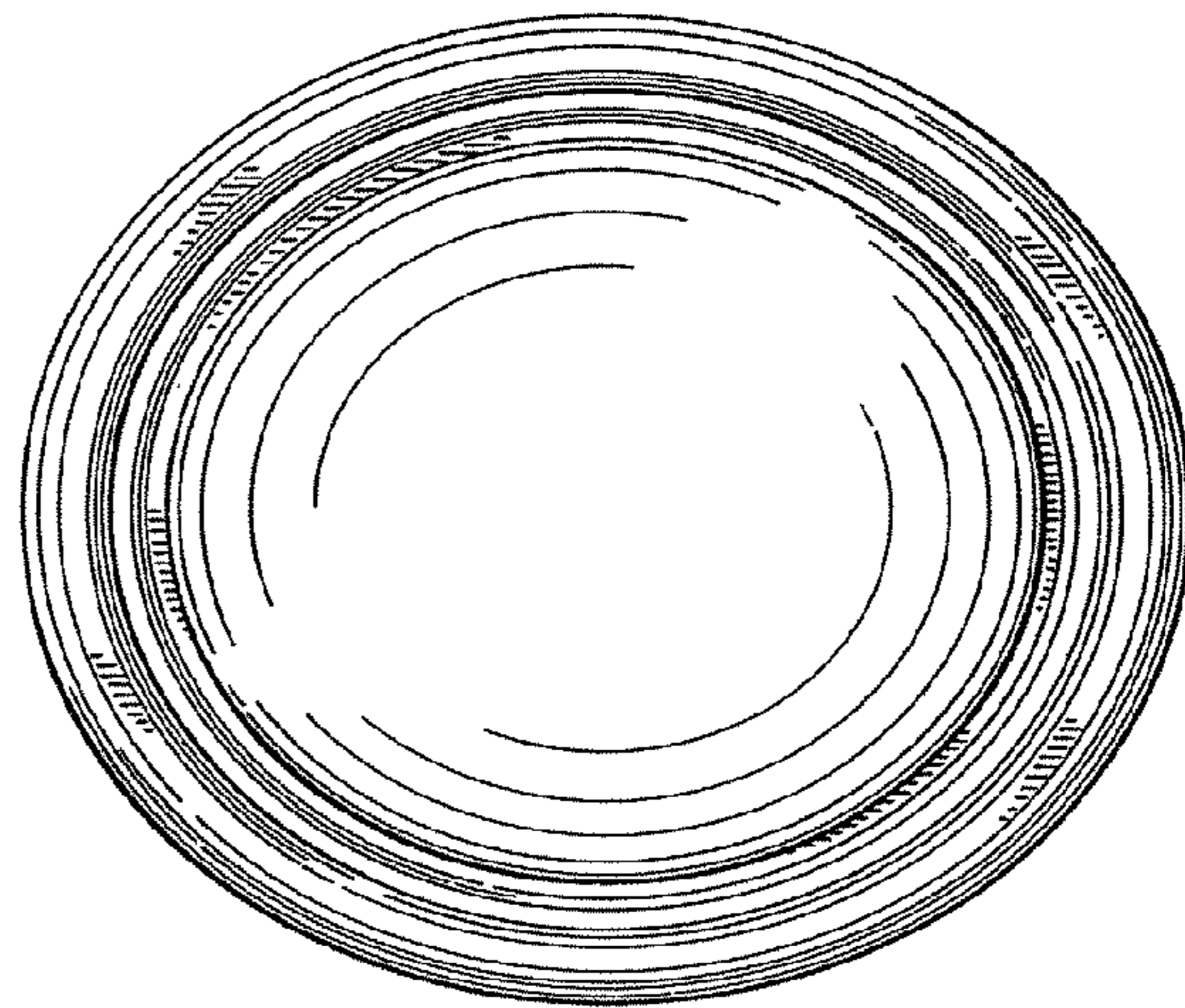


FIG. 3

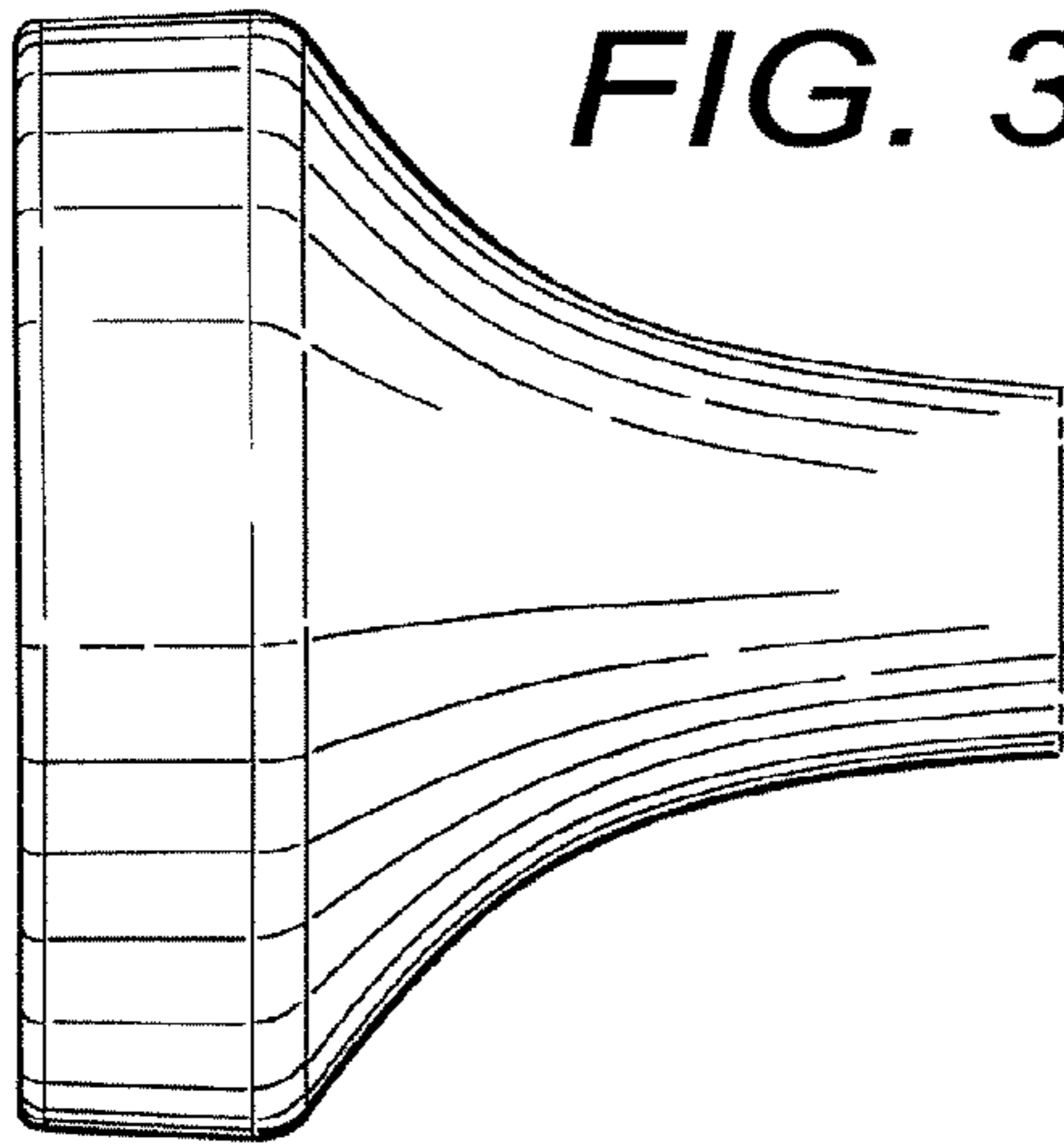


FIG. 4

