



US00D560108S

(12) **United States Design Patent** (10) **Patent No.:** **US D560,108 S**
Butzen et al. (45) **Date of Patent:** **** Jan. 22, 2008**

(54) **POWER TOOL, SUCH AS A NAILER**

(75) Inventors: **Robert W. Butzen**, Colgate, WI (US);
Scott D. Bublitz, Hartland, WI (US);
Roger D. Neitzell, Palmyra, WI (US);
Michael L. Welliver, Milwaukee, WI (US)

(73) Assignee: **Milwaukee Electric Tool Corporation**,
 Brookfield, WI (US)

(**) Term: **14 Years**

(21) Appl. No.: **29/239,167**

(22) Filed: **Sep. 27, 2005**

Related U.S. Application Data

(60) Provisional application No. 60/700,848, filed on Jul. 19, 2005.

(51) **LOC (8) Cl.** **08-05**

(52) **U.S. Cl.** **D8/69; D8/70**

(58) **Field of Classification Search** D8/14.1,
 D8/61, 62, 63, 64, 65, 66, 67, 68, 69, 70;
 81/57.11, 429, 464, 465, 466, 469, 489; 173/13,
 173/104, 114, 168, 169, 170, 171, 178, 201,
 173/211, 213, 217; 408/20, 124, 125, 234,
 408/241 R; 451/358; 310/50; 227/8, 113,
 227/114, 120, 130, 136, 142

See application file for complete search history.

(56) **References Cited**

U.S. PATENT DOCUMENTS

1,624,758 A	4/1927	Powell et al.
1,785,798 A	12/1930	Weiss
2,079,356 A	5/1937	Lukowski
2,495,385 A	1/1950	Palmer
2,520,909 A	9/1950	Cavabagh
2,817,839 A	12/1957	Skrebba

2,993,208 A	7/1961	Cast et al.
3,007,171 A	11/1961	Critchley
3,141,359 A	7/1964	Bennett et al.
3,238,983 A	3/1966	Abrahamsen
3,249,280 A	5/1966	Cabot et al.
3,266,697 A	8/1966	Fiedler
3,437,249 A	4/1969	Baum
D214,208 S	5/1969	Schwarz
3,491,932 A	1/1970	Novak
3,504,840 A	4/1970	Wandel et al.
3,524,576 A	8/1970	Bader
3,604,608 A	9/1971	Mullaney et al.
3,656,678 A	4/1972	Ruskin
3,688,966 A	9/1972	Perkins et al.

(Continued)

FOREIGN PATENT DOCUMENTS

DE 819542 11/1951

(Continued)

Primary Examiner—T. Chase Nelson

(74) *Attorney, Agent, or Firm*—Michael Best & Friedrich LLP

(57) **CLAIM**

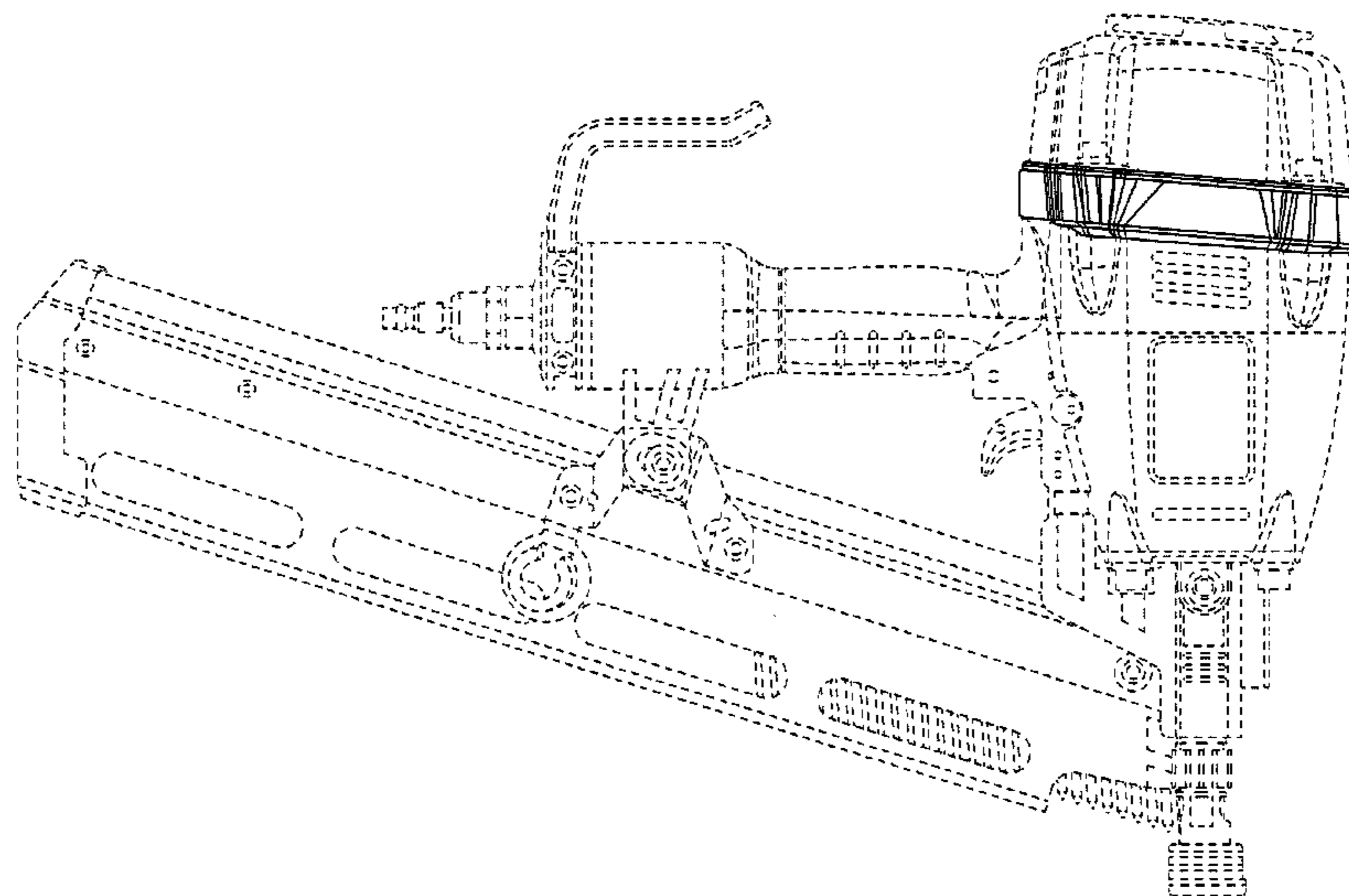
We claim the ornamental design for a power tool, such as a nailer, as shown and described.

DESCRIPTION

FIG. 1 is a left side view of a power tool, such as a nailer. FIG. 2 is a right side view of the power tool, such as a nailer, shown in FIG. 1; and, FIG. 3 is a rear view of the power tool, such as a nailer, shown in FIG. 1.

The depiction of portions of the power tool, such as a nailer, in broken lines is for illustrative purposes only and forms no part of the claimed invention.

1 Claim, 3 Drawing Sheets



US D560,108 S

U.S. PATENT DOCUMENTS					
3,708,097 A	1/1973	Fisher	5,738,177 A	4/1998	Schell et al.
3,727,821 A	4/1973	Pabich et al.	5,738,266 A	4/1998	Ogawa
3,834,602 A	9/1974	Obergfell	5,743,453 A	4/1998	Chuang
3,854,648 A	12/1974	Inzoli et al.	5,752,643 A	5/1998	MacVicar et al.
3,924,961 A	12/1975	Hess et al.	5,799,855 A	9/1998	Veoukas et al.
3,945,551 A	3/1976	Sato et al.	5,799,856 A	9/1998	Mukoyama
3,980,179 A	9/1976	Schrepferman	5,806,747 A	9/1998	Van Erden et al.
3,982,678 A	9/1976	Olson	5,810,239 A	9/1998	Stich
4,037,771 A	7/1977	Peterson	5,813,588 A	9/1998	Lin
4,197,974 A	4/1980	Morton et al.	5,816,469 A *	10/1998	Ohuchi 227/120
4,389,012 A	6/1983	Grikis et al.	5,829,660 A	11/1998	White
4,442,965 A	4/1984	Leistner	5,842,623 A	12/1998	Dippold
4,463,888 A	8/1984	Geist et al.	5,842,625 A *	12/1998	Kimura 227/130
4,510,748 A	4/1985	Adams	5,860,580 A	1/1999	Velan et al.
4,558,811 A	12/1985	Klaus	5,865,360 A	2/1999	White
4,581,964 A	4/1986	Takatsuru	5,873,508 A	2/1999	MacVicar et al.
4,669,648 A	6/1987	Monacelli	5,873,509 A	2/1999	Liao
4,717,060 A	1/1988	Cotta	5,873,510 A	2/1999	Hirai et al.
4,721,240 A	1/1988	Cotta	5,897,043 A	4/1999	Veoukas et al.
4,739,915 A	4/1988	Cotta	5,897,045 A	4/1999	Olvera et al.
4,768,697 A	9/1988	Whiteledge	5,909,836 A	6/1999	Shkolnikov et al.
4,773,581 A	9/1988	Ohtsu et al.	5,927,585 A	7/1999	Moorman et al.
4,784,306 A	11/1988	Baum	D414,093 S	9/1999	Zurwelle
4,784,308 A	11/1988	Novak et al.	5,971,245 A	10/1999	Robinson
4,905,634 A	3/1990	Veldman	D416,182 S *	11/1999	Kaiser et al. D8/69
D307,234 S *	4/1990	Fushiya et al. D8/69	D416,775 S *	11/1999	Hwang et al. D8/69
4,913,331 A	4/1990	Utsumi et al.	6,006,975 A	12/1999	Ishizawa
4,942,996 A	7/1990	Wolfberg et al.	D419,413 S	1/2000	Heun
5,000,128 A	3/1991	Veldman	6,012,622 A	1/2000	Weinger et al.
D316,022 S *	4/1991	Moraht D8/69	6,024,268 A	2/2000	Horng-Lin
5,038,993 A	8/1991	Schafer et al.	6,036,072 A	3/2000	Lee
5,090,606 A	2/1992	Torii et al.	6,092,711 A	7/2000	Tinarelli
D332,561 S *	1/1993	Fushiya et al. D8/69	D435,206 S *	12/2000	Etter et al. D8/68
5,181,495 A	1/1993	Gschwend et al.	6,158,643 A	12/2000	Phillips
D334,329 S *	3/1993	Ogawa et al. D8/68	6,161,744 A *	12/2000	Mukoyama et al. 227/8
5,191,861 A	3/1993	Kellerman et al.	D435,770 S	1/2001	Arai
5,197,646 A	3/1993	Nikolich	6,170,730 B1	1/2001	Lin
5,199,626 A	4/1993	Terayama et al.	6,176,412 B1	1/2001	Weinger et al.
5,199,627 A	4/1993	Christensen	6,179,192 B1	1/2001	Weinger et al.
5,213,247 A	5/1993	Gschwend et al.	6,186,386 B1 *	2/2001	Canlas et al. 227/8
D337,252 S *	7/1993	Tsuru et al. D8/69	6,189,759 B1 *	2/2001	Canlas et al. 227/120
D338,606 S *	8/1993	Oda D8/69	D440,136 S	4/2001	Buck
5,240,161 A	8/1993	Kaneko	D447,031 S *	8/2001	Oh D8/63
5,244,139 A	9/1993	Joyce	6,299,046 B1	10/2001	Chen
5,263,439 A	11/1993	Doherty et al.	6,308,880 B1	10/2001	Ronconi
D342,430 S	12/1993	Saito et al.	6,318,239 B1	11/2001	Tsukada
5,322,189 A *	6/1994	Oda 227/8	6,371,348 B1 *	4/2002	Canlas et al. 227/8
5,332,141 A	7/1994	Mukoyama et al.	D458,525 S *	6/2002	Buck D8/68
5,368,213 A	11/1994	Massari, Jr.	D459,184 S *	6/2002	Buck D8/69
D353,664 S *	12/1994	Eminger et al. D8/69	D459,185 S *	6/2002	Buck D8/69
5,553,764 A	9/1996	Remerowski	D460,674 S	7/2002	Heun
5,558,264 A	9/1996	Weinstein	6,422,447 B1	7/2002	White et al.
5,564,614 A *	10/1996	Yang 227/8	D461,694 S *	8/2002	Buck D8/68
D377,592 S *	1/1997	Hattori D8/69	6,431,427 B1	8/2002	Leitner
5,626,274 A	5/1997	Shkolnikov et al.	6,431,428 B1	8/2002	Chen
5,634,582 A	6/1997	Morrison, Jr. et al.	6,431,429 B1 *	8/2002	Canlas et al. 227/130
5,634,583 A	6/1997	McGuinness et al.	D466,781 S *	12/2002	Matsuoka et al. D8/69
D382,184 S	8/1997	Sung	6,488,195 B2	12/2002	White et al.
D383,657 S *	9/1997	Kaiser D8/69	6,494,355 B2 *	12/2002	Adachi et al. 227/120
D383,658 S *	9/1997	Kaiser D8/69	6,499,642 B1	12/2002	Amada
D384,562 S	10/1997	Sung	6,543,664 B2	4/2003	Wolfberg
5,680,980 A	10/1997	Robinson	D474,091 S *	5/2003	Arai D8/69
D386,379 S *	11/1997	Kasuya D8/69	D474,386 S *	5/2003	Arai D8/68
5,683,024 A	11/1997	Eminger et al.	D475,597 S *	6/2003	Arai D8/68
5,687,898 A	11/1997	Toulouse	6,581,814 B1	6/2003	Hsu
5,687,899 A	11/1997	Dohi et al.	D477,513 S *	7/2003	Bor D8/68
D387,648 S	12/1997	Liao	D477,514 S *	7/2003	Chen D8/68
5,692,664 A	12/1997	Vettoretti et al.	D477,760 S *	7/2003	Chang D8/68
5,697,541 A	12/1997	Burke et al.	D477,762 S *	7/2003	Bor D8/68
5,722,578 A	3/1998	Van Erden et al.	6,598,777 B2	7/2003	Osuga et al.
5,730,350 A	3/1998	Lin	D477,975 S *	8/2003	Lai D8/68
			D477,976 S	8/2003	Liu
			D478,490 S *	8/2003	Wu D8/68

US D560,108 S

6,604,666	B1	8/2003	Pedicini	
D479,110	S *	9/2003	Nolan et al.	D8/68
6,612,476	B2 *	9/2003	Smolinski	173/170
6,626,345	B2	9/2003	Amada	
6,651,863	B1	11/2003	Chen	
D483,240	S *	12/2003	Garvis et al.	D8/68
6,669,072	B2	12/2003	Burke et al.	
D484,764	S	1/2004	Ho	
6,672,498	B2	1/2004	White et al.	
6,675,999	B2	1/2004	Mukoyama et al.	
6,705,503	B1	3/2004	Pedicini et al.	
6,719,512	B2	4/2004	O'Banion et al.	
6,722,547	B1	4/2004	Wang et al.	
6,729,524	B1 *	5/2004	Yao	227/136
6,766,935	B2	7/2004	Pedicini et al.	
6,808,101	B2 *	10/2004	Laubach et al.	227/120
D498,127	S *	11/2004	Leasure	D8/68
D499,321	S *	12/2004	Buck et al.	D8/68
D499,623	S *	12/2004	Buck	D8/68
D500,654	S *	1/2005	Leasure et al.	D8/69
D500,655	S *	1/2005	Leasure	D8/69
D501,383	S *	2/2005	Fang et al.	D8/68
D501,778	S *	2/2005	Liang	D8/68
D502,637	S *	3/2005	Hattori et al.	D8/68
D505,608	S *	5/2005	Arai et al.	D8/68
6,929,165	B1 *	8/2005	Chen et al.	227/8
D509,418	S *	9/2005	Leasure	D8/68
D512,291	S *	12/2005	Thomas et al.	D8/69
D512,620	S *	12/2005	Thomas et al.	D8/69
D512,621	S *	12/2005	Thomas et al.	D8/69
D512,622	S *	12/2005	Thomas	D8/69
D514,911	S *	2/2006	Thomas et al.	D8/69
D516,400	S *	3/2006	Yang	D8/69
D517,886	S *	3/2006	Thomas et al.	D8/69
D518,698	S *	4/2006	Thomas et al.	D8/69
D519,809	S *	5/2006	Taniguchi et al.	D8/69
D520,321	S *	5/2006	Hattori et al.	D8/69
D520,839	S *	5/2006	Miwa	D8/69
D527,972	S *	9/2006	Leasure et al.	D8/69
2001/0006183	A1 *	7/2001	Mukoyama et al.	227/8
2001/0030218	A1 *	10/2001	Adachi et al.	227/120
2002/0017548	A1	2/2002	Jalbert et al.	
2002/0033407	A1	3/2002	Osuga et al.	
2002/0053587	A1	5/2002	White et al.	
2002/0060082	A1	5/2002	Watanabe	
2002/0060233	A1 *	5/2002	Akiba	227/120
2002/0060234	A1	5/2002	Osuga et al.	
2002/0079111	A1	6/2002	Camp	
2002/0100787	A1 *	8/2002	Lin	227/8
2002/0104868	A1 *	8/2002	Miller et al.	227/8
2002/0108474	A1	8/2002	Adams	
2002/0113114	A1	8/2002	Harmano	
2002/0117532	A1 *	8/2002	Miller et al.	227/120
2002/0121540	A1	9/2002	Taylor et al.	
2002/0134811	A1	9/2002	Napier et al.	
2002/0158103	A1	10/2002	Driscoll et al.	
2002/0185514	A1	12/2002	Adams et al.	
2003/0000990	A1	1/2003	White et al.	
2003/0024961	A1	2/2003	Driscoll et al.	
2003/0034377	A1	2/2003	Porth et al.	
2003/0066860	A1	4/2003	Amada	
2003/0071103	A1	4/2003	Amada	
2003/0071104	A1	4/2003	Amada	
2003/0095402	A1	5/2003	Lin	
2003/0116604	A1	6/2003	Driscoll et al.	
2003/0192933	A1	10/2003	Pedicini et al.	
2003/0230622	A1	12/2003	Rotharmel	
2004/0020966	A1 *	2/2004	Miller et al.	227/120
2004/0026476	A1	2/2004	Shima et al.	

2004/0045997	A1	3/2004	Birk et al.	
2004/0104258	A1	6/2004	Favre-Bulle	
2004/0134960	A1	7/2004	Schiestl et al.	
2005/0001007	A1 *	1/2005	Butzen et al.	227/130
2005/0023323	A1 *	2/2005	Jalbert et al.	227/120
2005/0092806	A1 *	5/2005	Miller et al.	227/8
2006/0081677	A1 *	4/2006	Yasuike et al.	227/8
2006/0108391	A1 *	5/2006	Leasure	227/120
2006/0208027	A1 *	9/2006	Hagan	227/120
2006/0213946	A1 *	9/2006	Shkolnikov	227/120
2006/0213947	A1 *	9/2006	Bo-Seob et al.	227/8

FOREIGN PATENT DOCUMENTS

DE	1478916	6/1969
DE	3308698	9/1984
EP	0 014 725	9/1980
EP	1 033 209	9/2000
EP	1 188 522	3/2002
EP	1 207 017	5/2002
GB	1 429 455	3/1976
GB	2049899 S *	3/1995
GB	2103708 S *	2/2001
GB	3005812 S *	2/2002
JP	53037967	4/1978
JP	55131484	10/1980
JP	55131485	10/1980
JP	57021282	2/1982
JP	57201181	12/1982
JP	59209772	11/1984
JP	2269581	8/1991
JP	7256568	10/1995
JP	7256569	10/1995
JP	8052665	2/1996
JP	8164502	6/1996
JP	9117876	5/1997
JP	9155808	6/1997
JP	2000108049	4/2000
JP	2000210879	8/2000
JP	2000246664	9/2000
JP	2000246665	9/2000
JP	2000296475	10/2000
JP	2000296476	10/2000
JP	2000306256	11/2000
JP	2000326255	11/2000
JP	2000326257	11/2000
JP	2001054879	2/2001
JP	2001062752	3/2001
JP	2001062753	3/2001
JP	2001062754	3/2001
JP	2001062755	3/2001
JP	2001071280	3/2001
JP	2002/096276	4/2002
JP	2002096275	4/2002
JP	2002096277	4/2002
JP	2002154067	5/2002
JP	2002219662	8/2002
JP	2002239942	8/2002
JP	2002283249	10/2002
JP	2002283250	10/2002
JP	2002283251	10/2002
JP	2002283252	10/2002
JP	2002292578	10/2002
JP	2002337064	11/2002
JP	2003094353	4/2003
JP	2003094354	4/2003
JP	2003103476	4/2003
WO	WO 03028956	4/2003

* cited by examiner

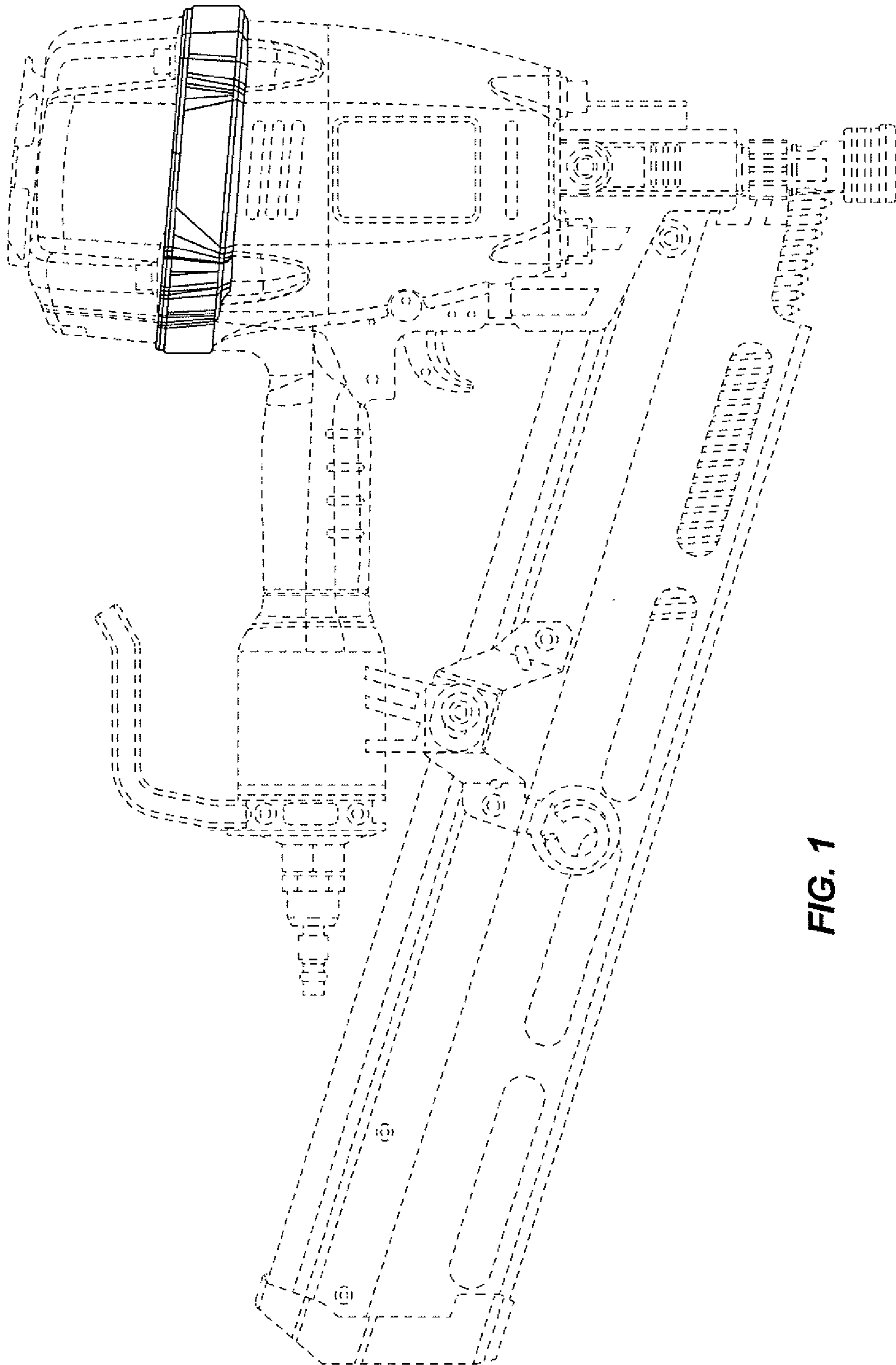


FIG. 1

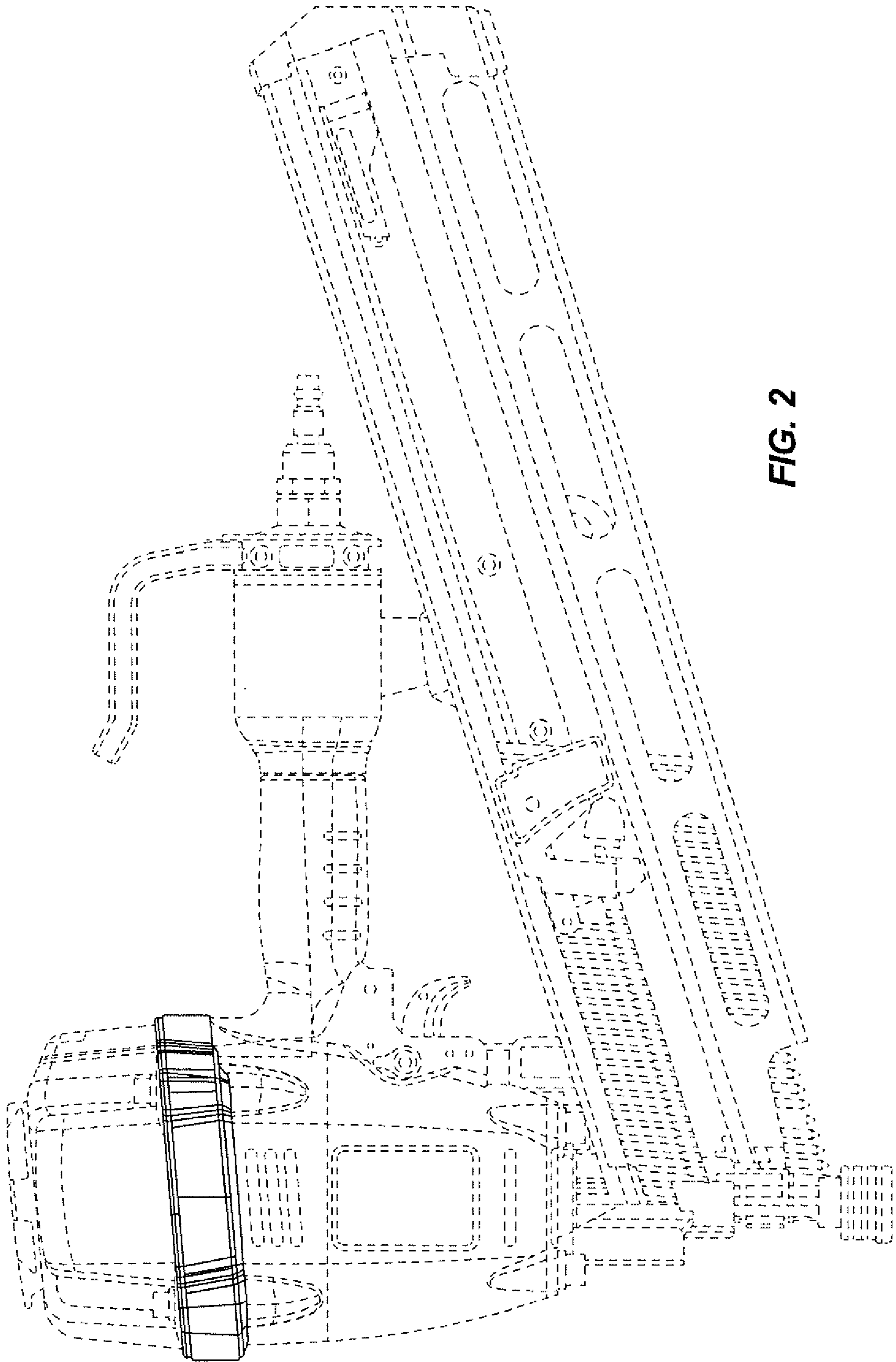


FIG. 2

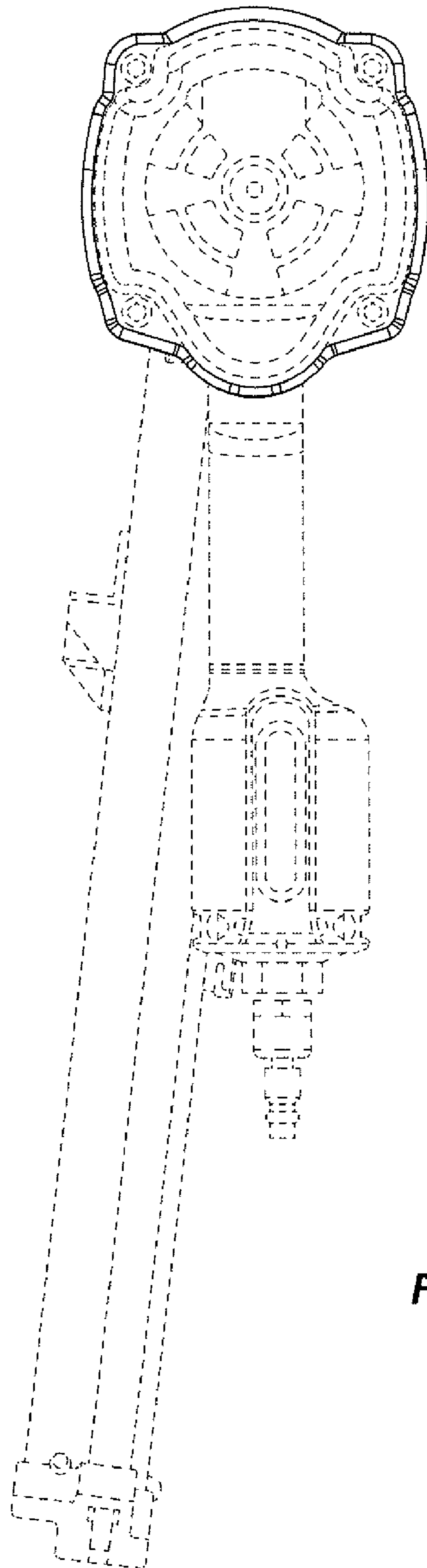


FIG. 3