



US00D560107S

(12) **United States Design Patent**  
**Grey**

(10) **Patent No.:** **US D560,107 S**

(45) **Date of Patent:** **\*\* Jan. 22, 2008**

(54) **STRING TRIMMER SPOOL HOUSING**

(75) Inventor: **Cavan Grey**, Darlington (GB)

(73) Assignee: **Black & Decker Inc.**, Newark, DE (US)

(\*\*) Term: **14 Years**

(21) Appl. No.: **29/242,087**

(22) Filed: **Nov. 4, 2005**

(30) **Foreign Application Priority Data**

May 11, 2005 (EM) ..... 000339544-0001

(51) **LOC (8) Cl.** ..... **08-01**

(52) **U.S. Cl.** ..... **D8/8**

(58) **Field of Classification Search** ..... D8/8;  
30/276, 347; 56/12.7

See application file for complete search history.

(56) **References Cited**

**U.S. PATENT DOCUMENTS**

D399,104 S	*	10/1998	Sutliff et al.	.....	D8/8
D460,904 S	*	7/2002	Riley et al.	.....	D8/8
D479,961 S	*	9/2003	Iacona	.....	D8/8
D482,581 S	*	11/2003	Nystrom	.....	D8/8
D502,368 S	*	3/2005	Nystrom et al.	.....	D8/8

\* cited by examiner

*Primary Examiner*—Holly H. Baynham

*Assistant Examiner*—Sheryl Friedman

(74) *Attorney, Agent, or Firm*—John Yun; Bruce S. Shapiro; Wesley Muller

(57) **CLAIM**

The ornamental design for a string trimmer spool housing, as shown and described.

**DESCRIPTION**

FIG. 1 is a top view of a string trimmer spool housing showing my new design.

FIG. 2 is a bottom view of a string trimmer spool housing according to FIG. 1.

FIG. 3 is a front view of a string trimmer spool housing according to FIG. 1.

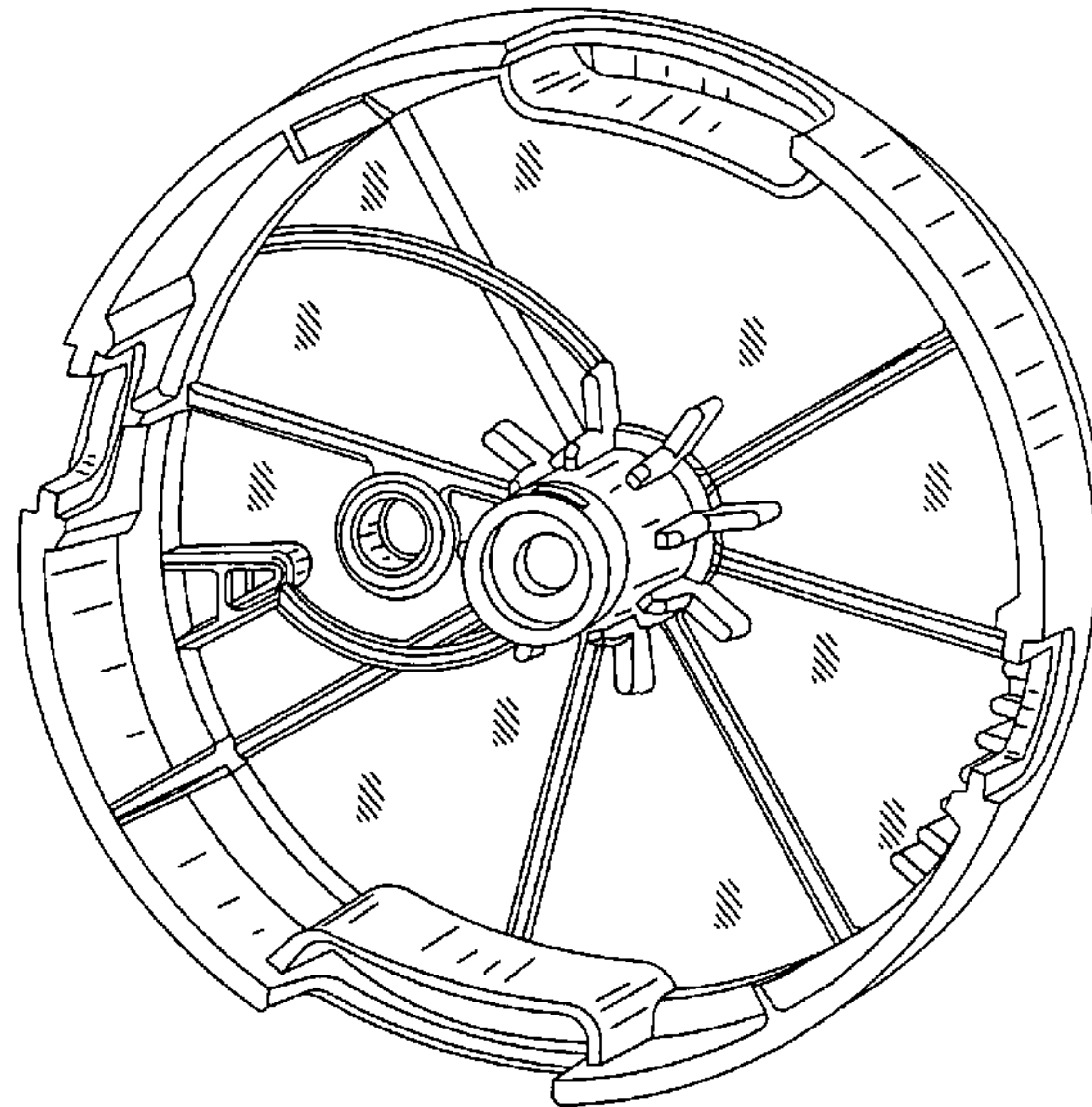
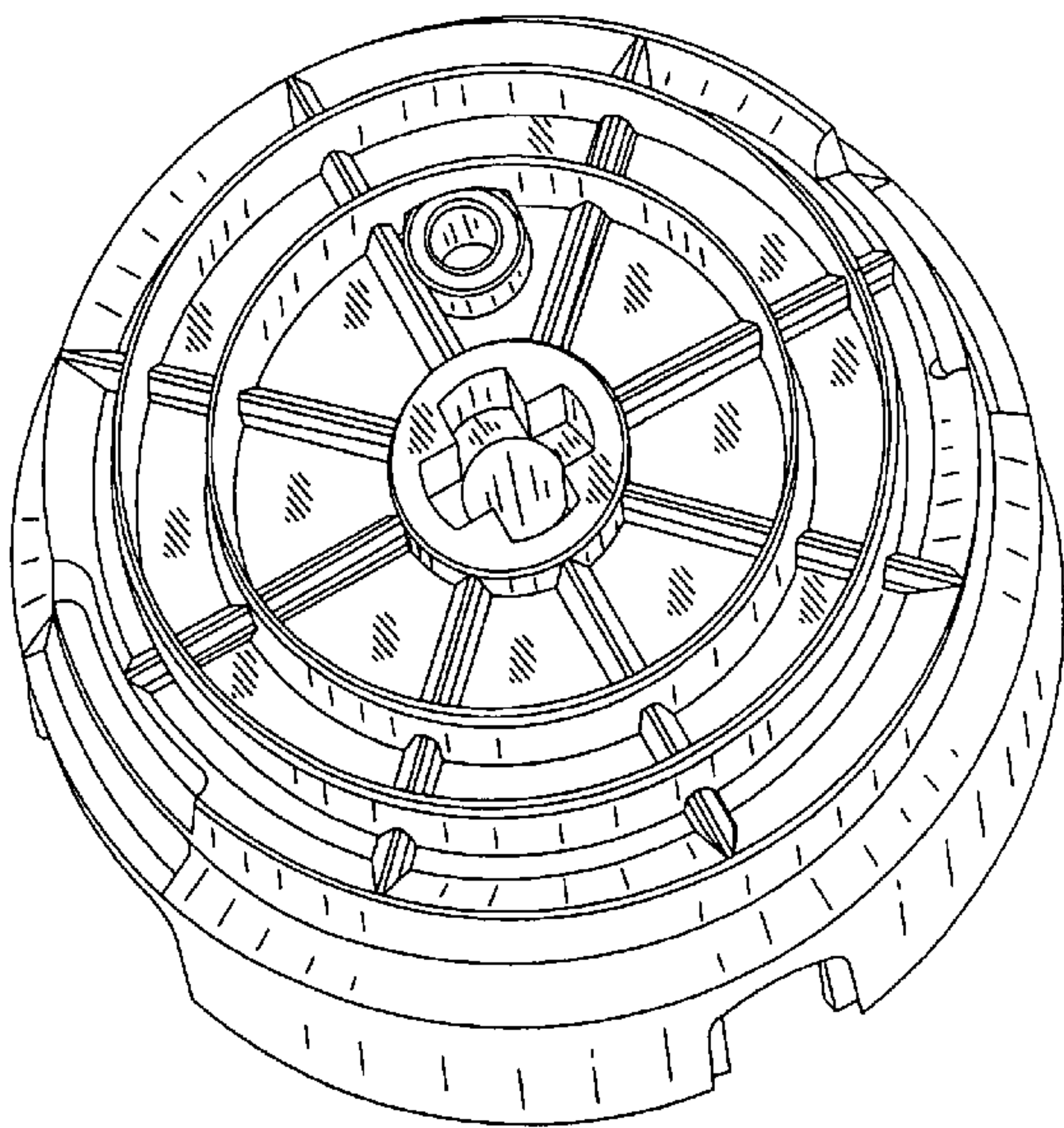
FIG. 4 is a side view of a string trimmer spool housing according to FIG. 1.

FIG. 5 is a top perspective view of a string trimmer spool housing according to FIG. 1; and,

FIG. 6 is a bottom perspective view of a string trimmer spool housing according to FIG. 1.

In the above drawings the broken lines and the areas within the broken lines form no part of the claimed design.

**1 Claim, 5 Drawing Sheets**



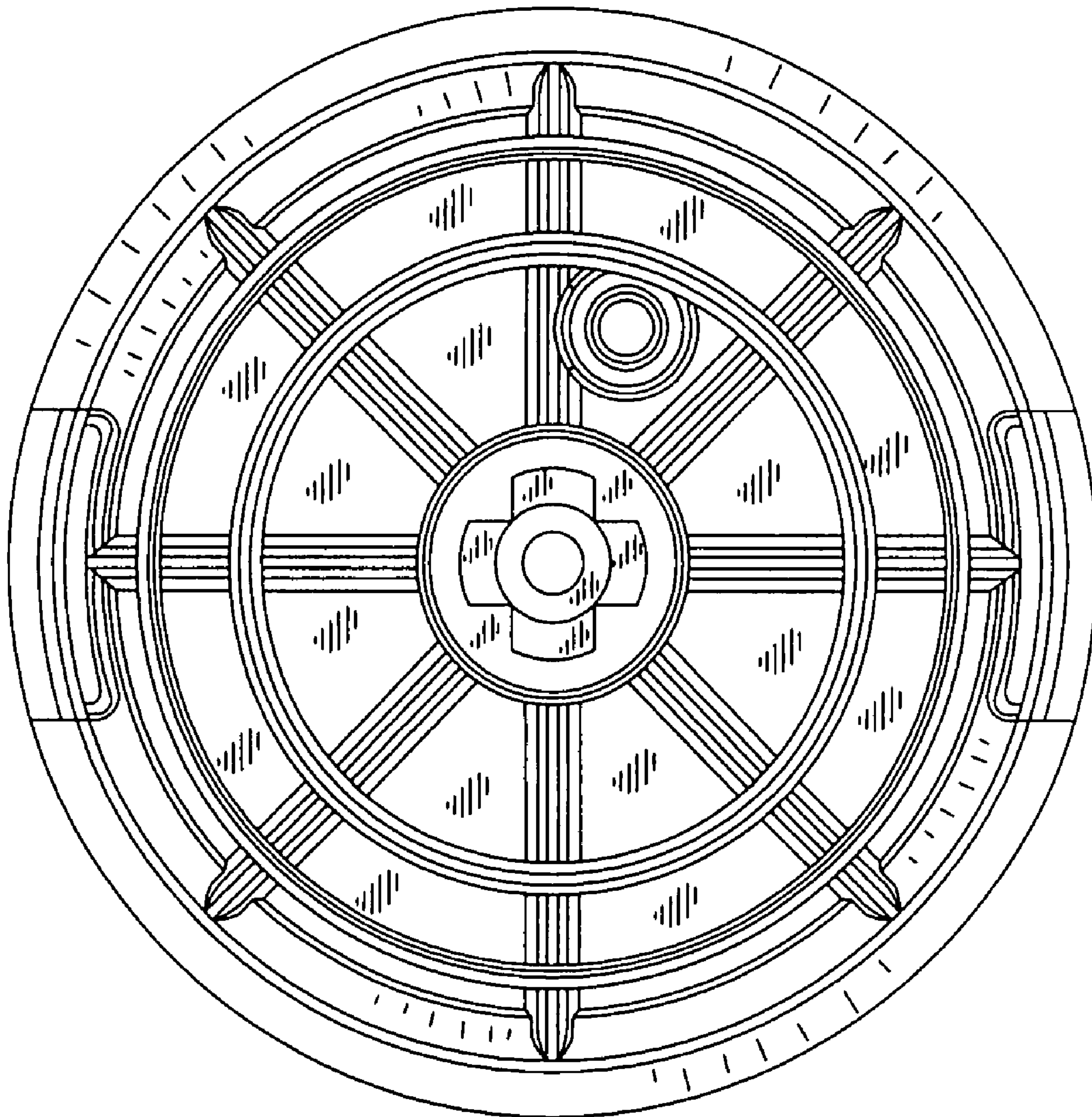


FIG. 1



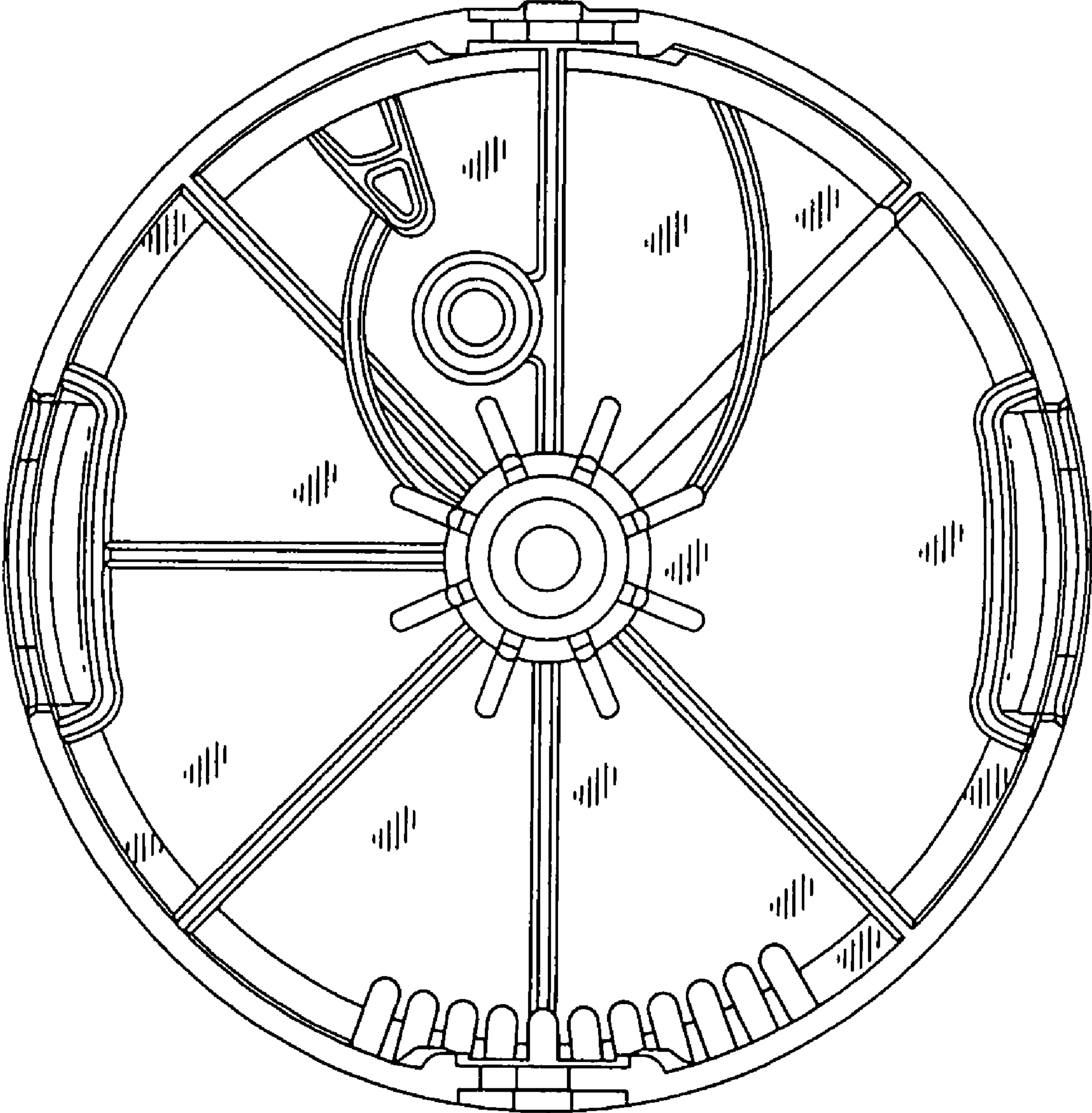


FIG.2

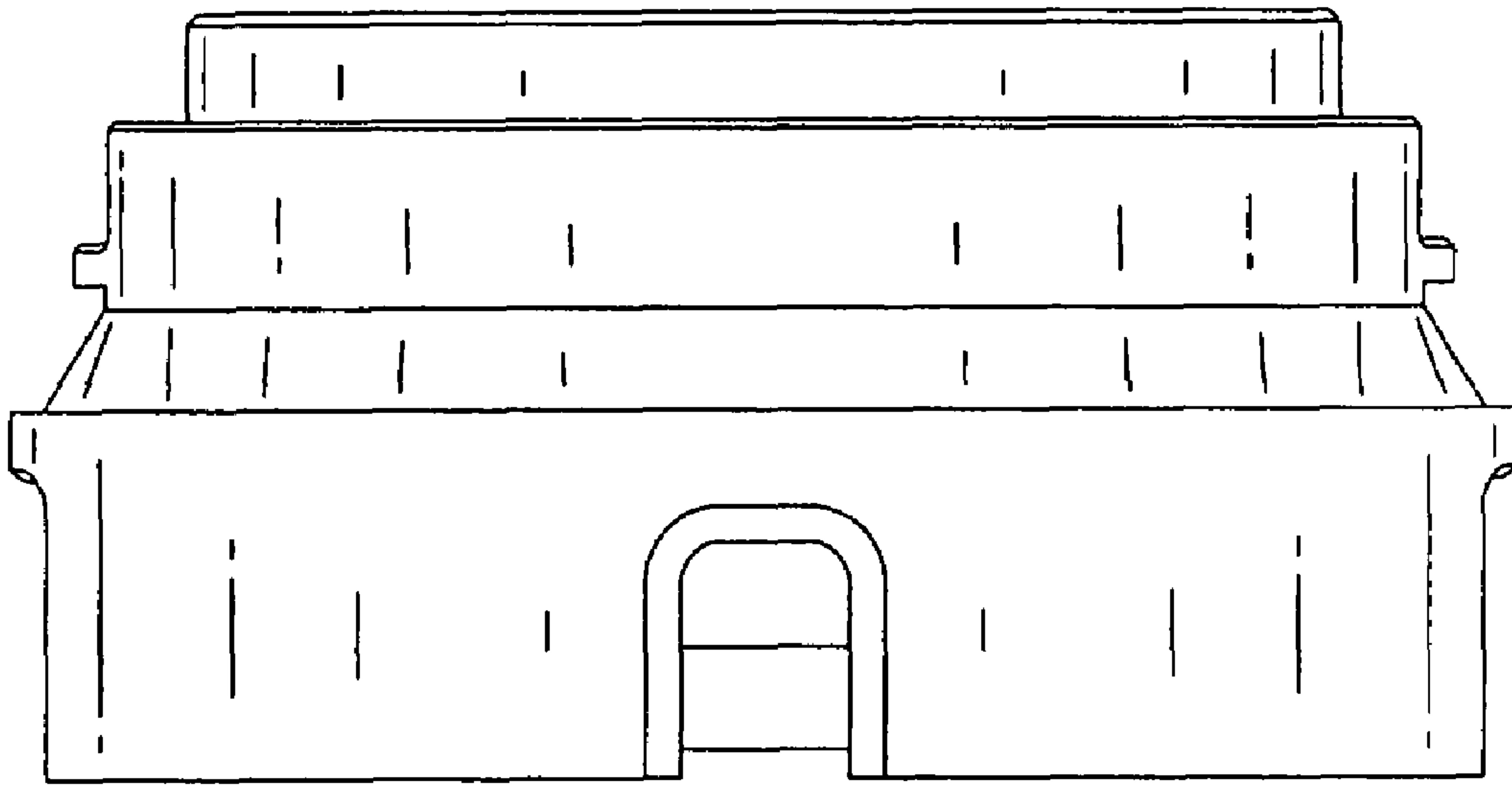


FIG. 3

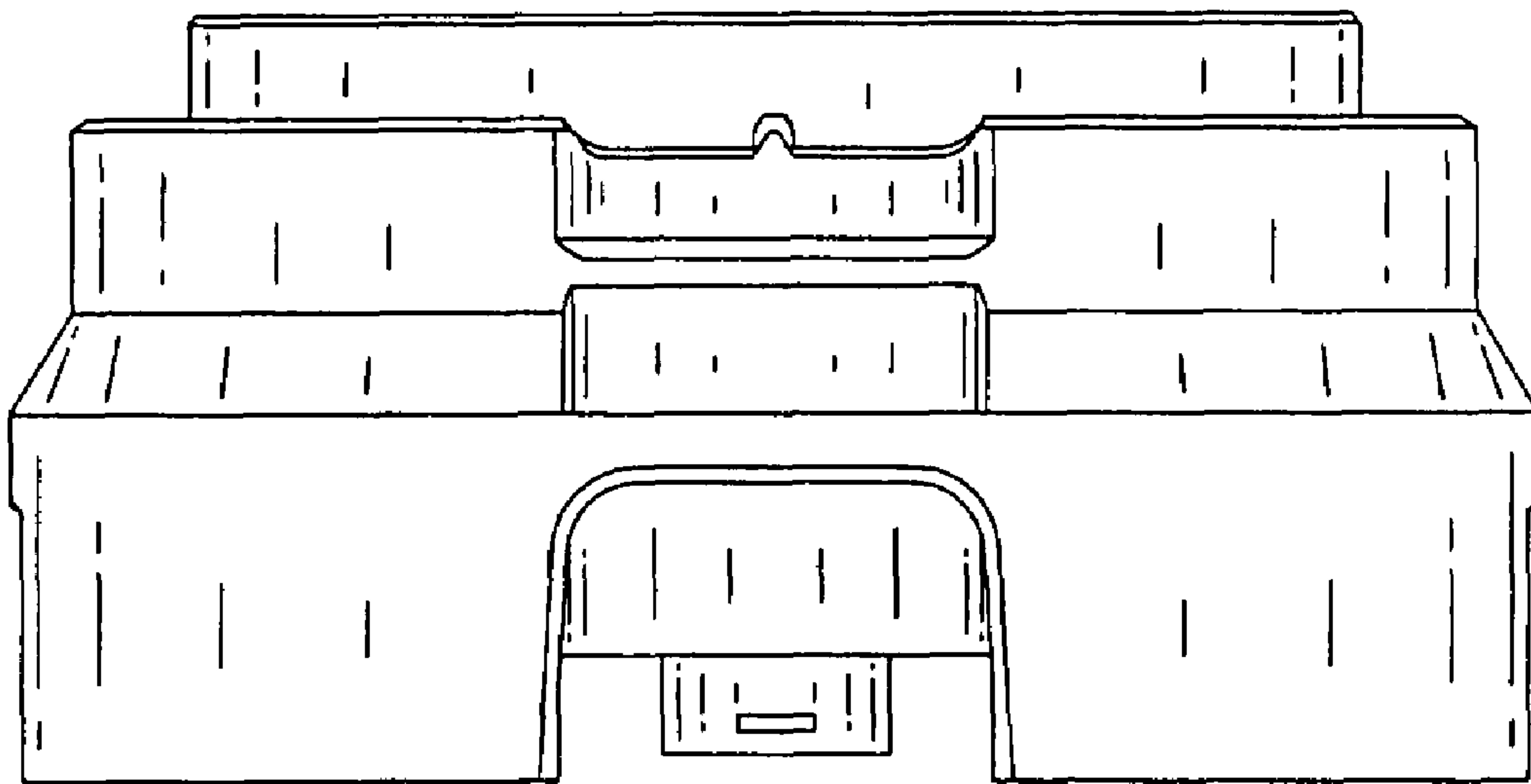


FIG. 4

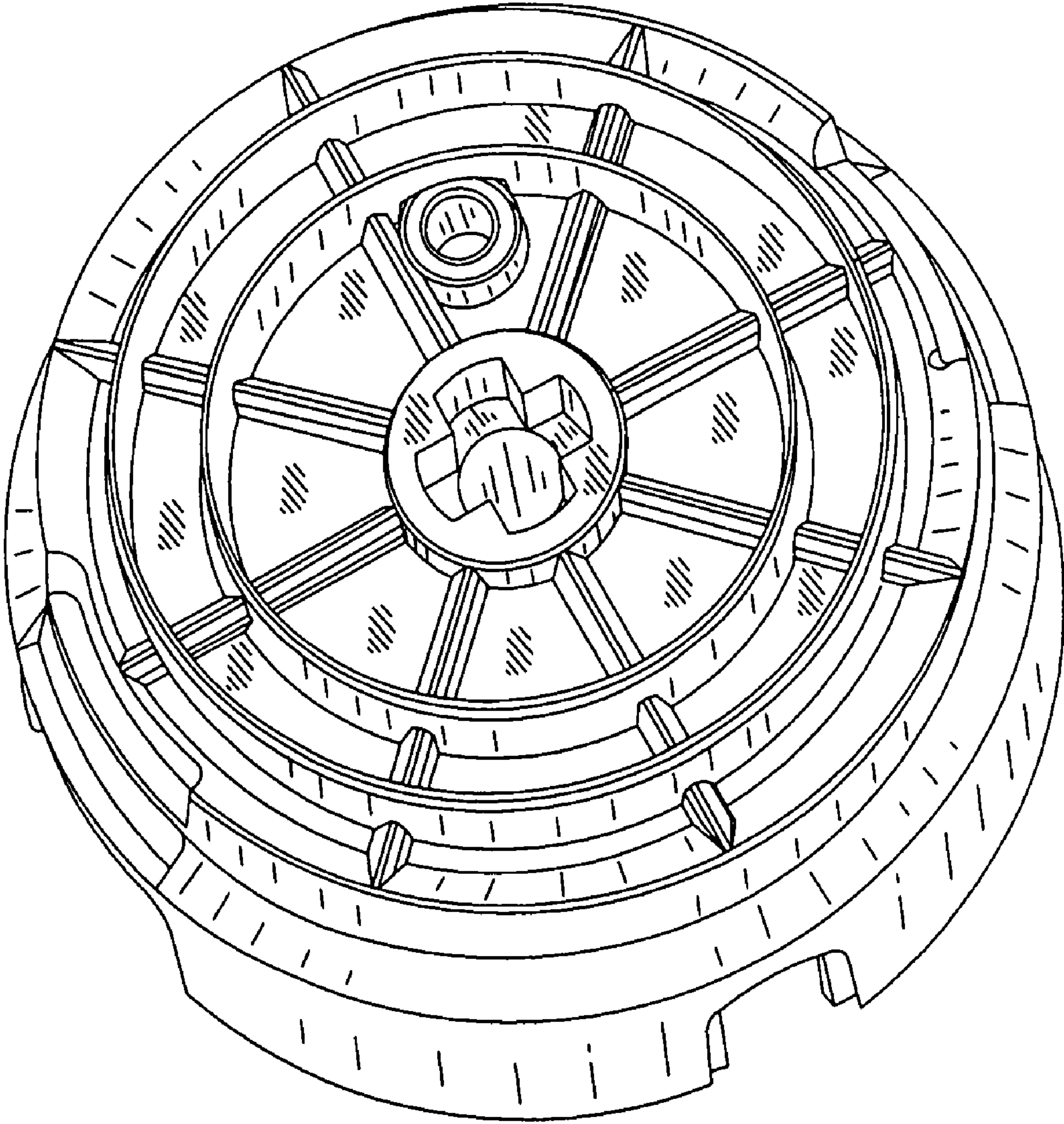


FIG.5

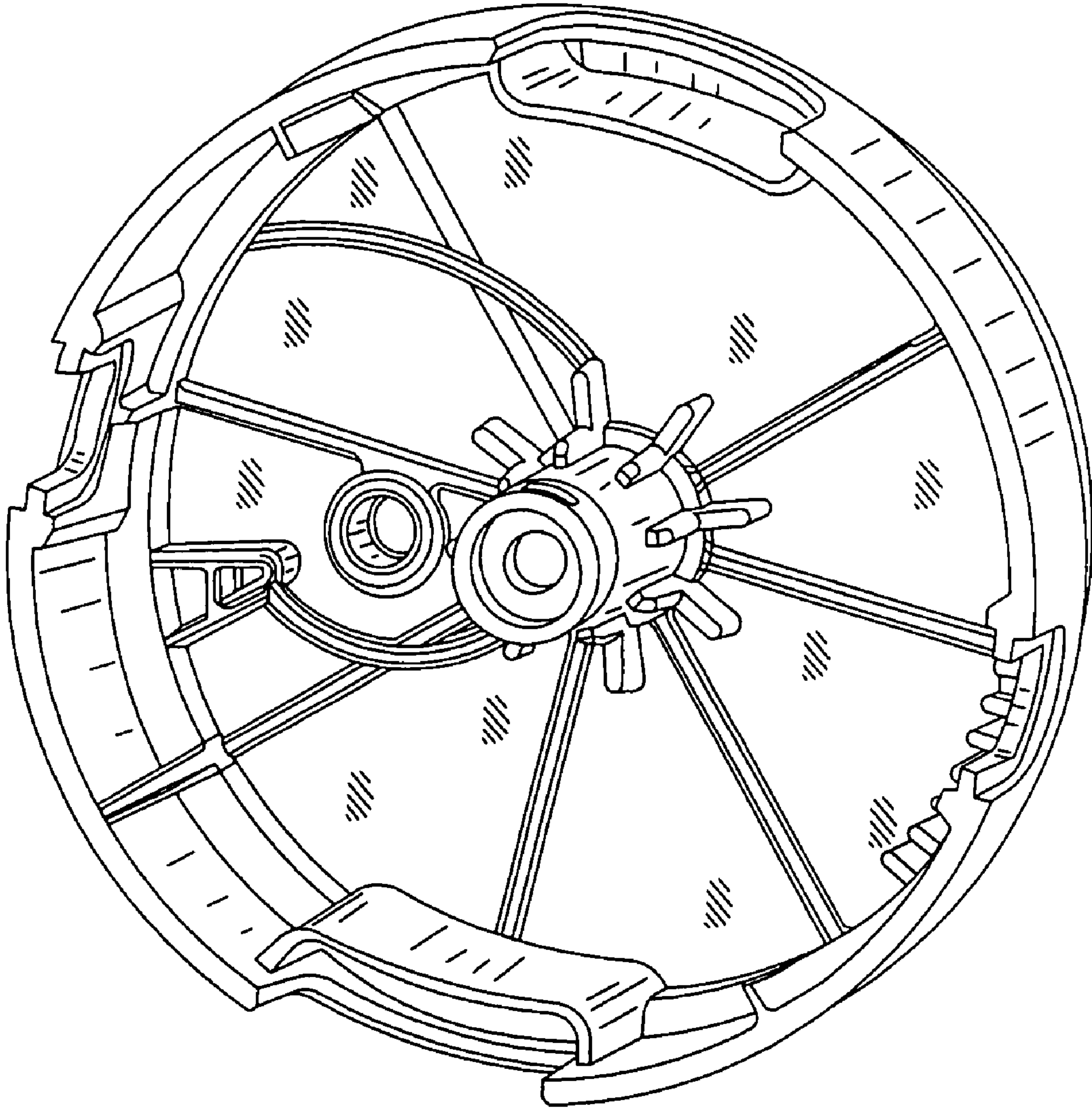


FIG.6