



US00D560105S

(12) **United States Design Patent**
McKenzie

(10) **Patent No.:** **US D560,105 S**
(45) **Date of Patent:** **** Jan. 22, 2008**

(54) **FUNNEL WITH CAP AND SLEEVE**

DESCRIPTION

(76) Inventor: **Jimmy B McKenzie**, 1137 White Oak Church Rd., Clinton, NC (US) 28328

(**) Term: **14 Years**

(21) Appl. No.: **29/273,027**

(22) Filed: **Feb. 23, 2007**

(51) **LOC (8) Cl.** **07-99**

(52) **U.S. Cl.** **D7/700; D15/150**

(58) **Field of Classification Search** **D7/700, D7/400; D15/150; D23/200; 141/95, 98, 141/297-300, 331-345, 199-205**
See application file for complete search history.

(56) **References Cited**

U.S. PATENT DOCUMENTS

D266,400	S	*	10/1982	Shatz	D7/700
4,706,720	A		11/1987	Pattison et al.		
4,789,017	A	*	12/1988	Panasewicz et al.	141/342
5,080,149	A	*	1/1992	Peoples	141/337
D334,120	S	*	3/1993	Faught	D7/700
5,488,979	A		2/1996	McKenzie		
D415,552	S	*	10/1999	Malorni	D23/200
6,155,315	A	*	12/2000	Peterson	141/331

* cited by examiner

Primary Examiner—Terry A Wallace

(74) *Attorney, Agent, or Firm*—Neagle Law Firm, PC; Thomas J. Neagle

(57) **CLAIM**

The ornamental design for a funnel with a cap and sleeve, as shown.

FIG. 1 is a perspective view of the funnel with the cap and sleeve detached;

FIG. 2 is a front elevational view of the funnel with the cap and sleeve detached;

FIG. 3 is a right side elevational view of the funnel with the cap and sleeve detached;

FIG. 4 is a rear elevational view of the funnel with the cap and sleeve detached;

FIG. 5 is a left side elevational view of the funnel with the cap and sleeve detached;

FIG. 6 is a top plan view of the funnel with the cap and sleeve detached;

FIG. 7 is a bottom plan view of the funnel with the cap and sleeve detached;

FIG. 8 is a perspective view of the funnel with the cap and sleeve attached;

FIG. 9 is a front elevational view of the funnel with the cap and sleeve attached;

FIG. 10 is a right side elevational view of the funnel with the cap and sleeve attached;

FIG. 11 is a rear elevational view of the funnel with the cap and sleeve attached;

FIG. 12 is a left side elevational view of the funnel with the cap and sleeve attached;

FIG. 13 is a top plan view of the funnel with the cap and sleeve attached; and,

FIG. 14 is a bottom plan view of the funnel with the cap and sleeve attached.

1 Claim, 10 Drawing Sheets

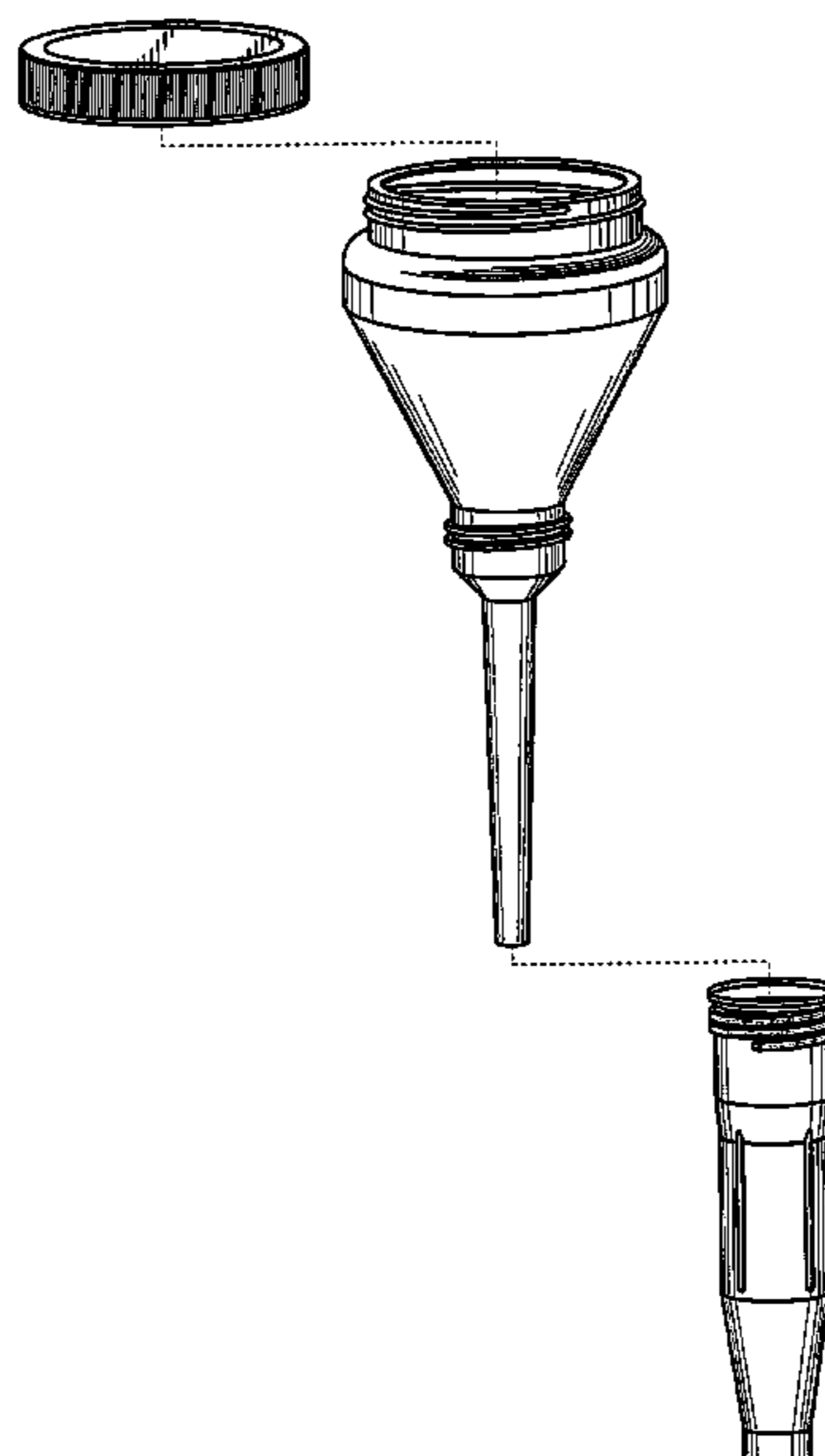


Fig. 1

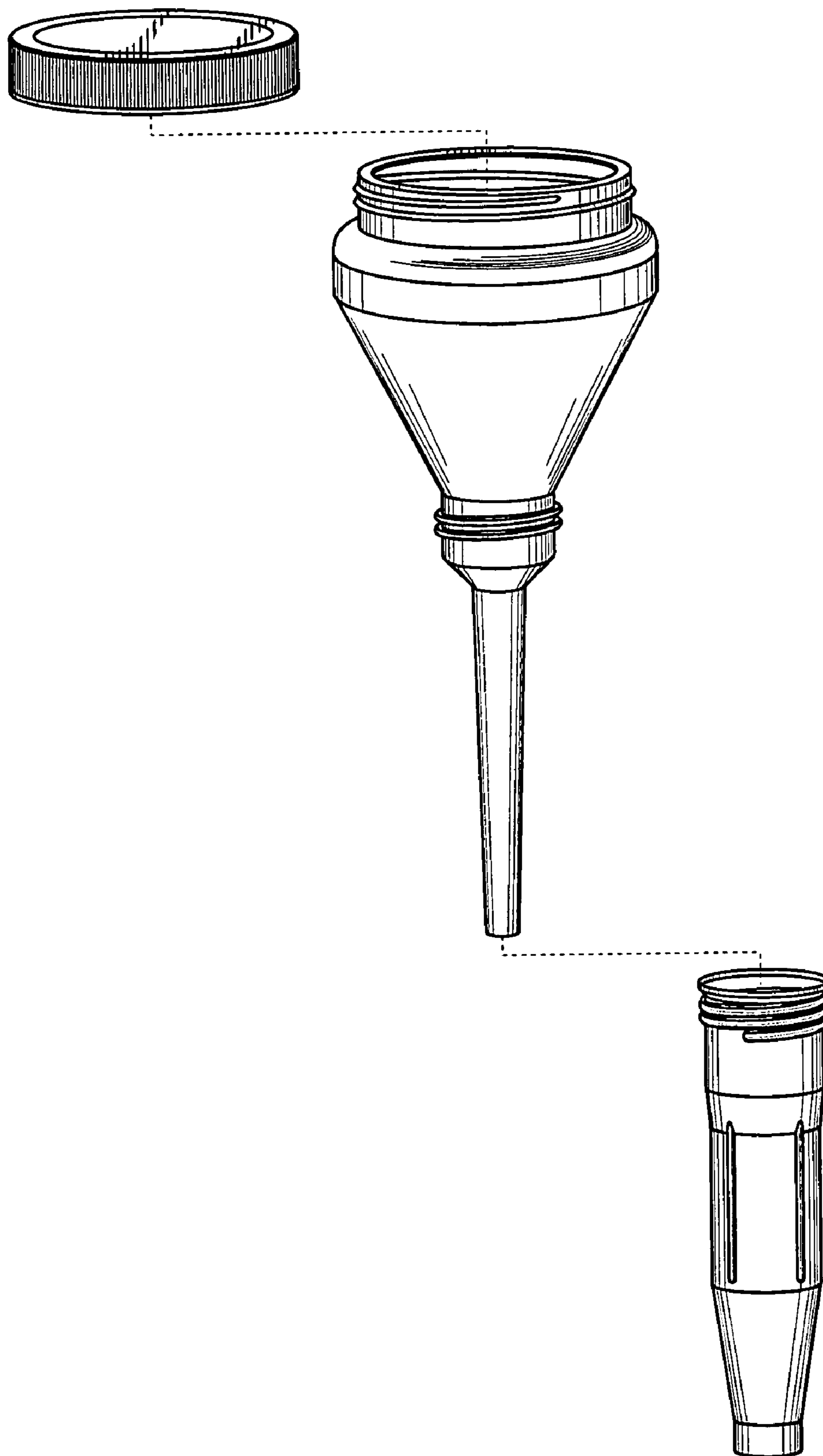


Fig. 2

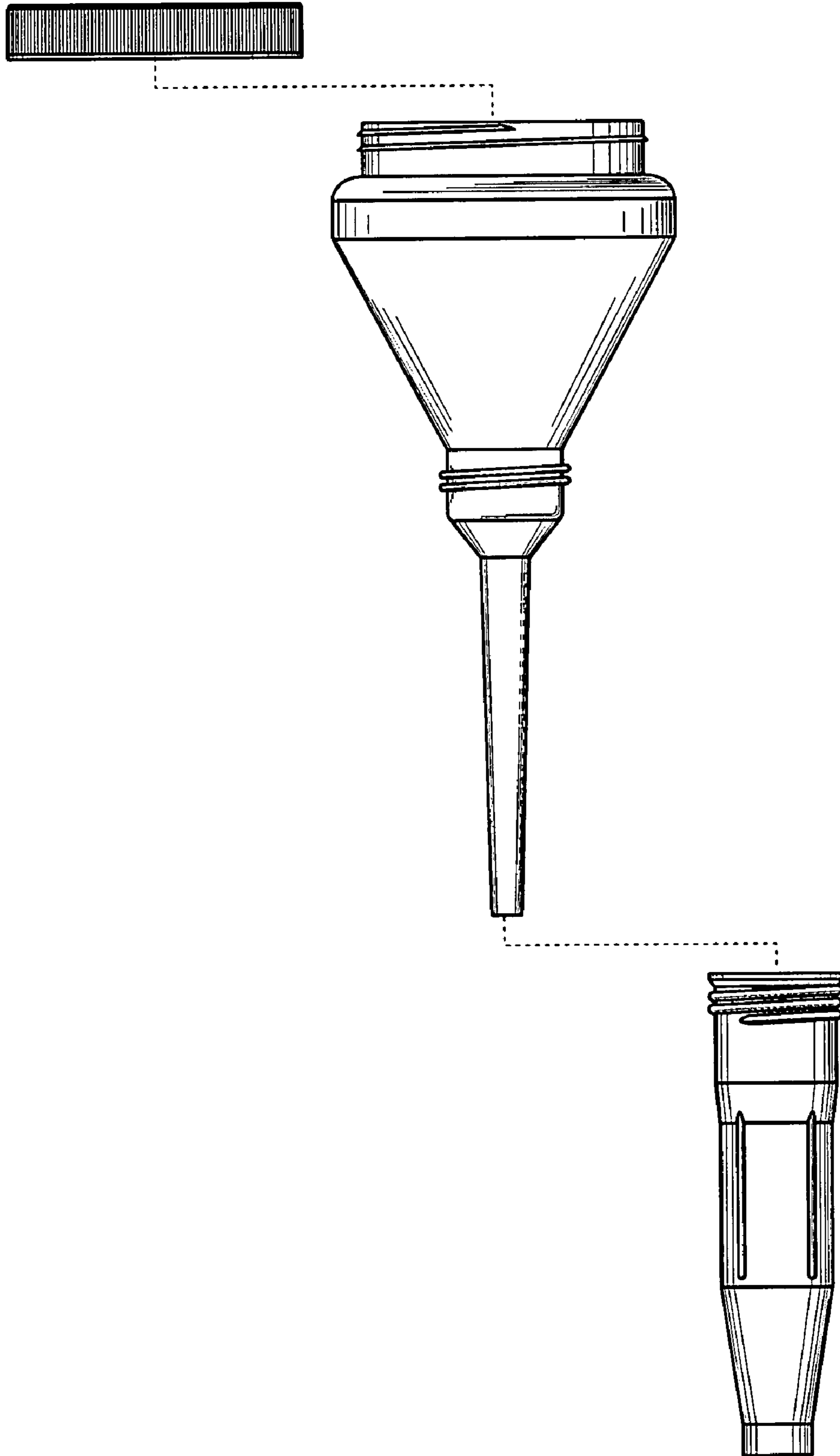


Fig. 3

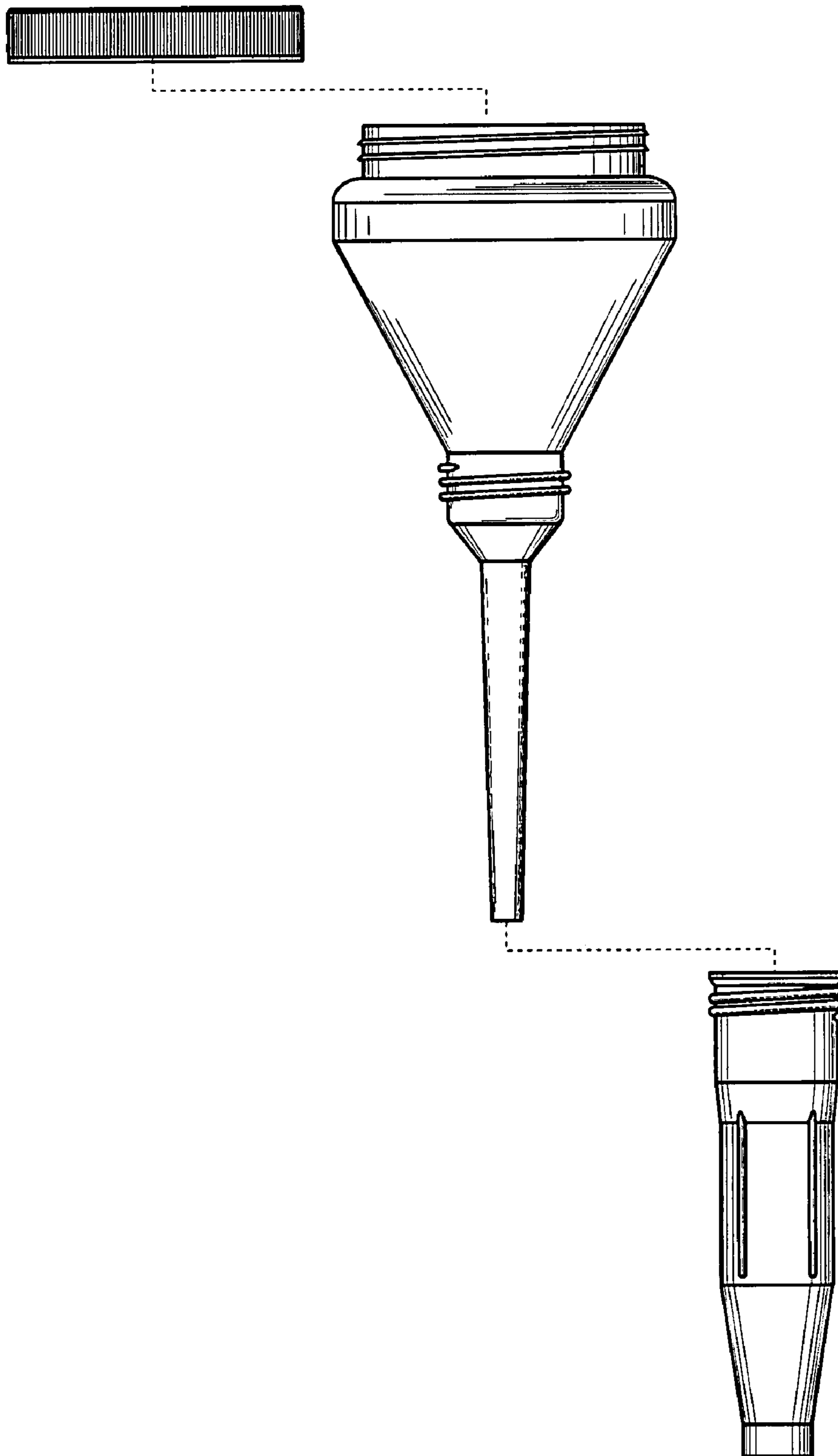


Fig. 4

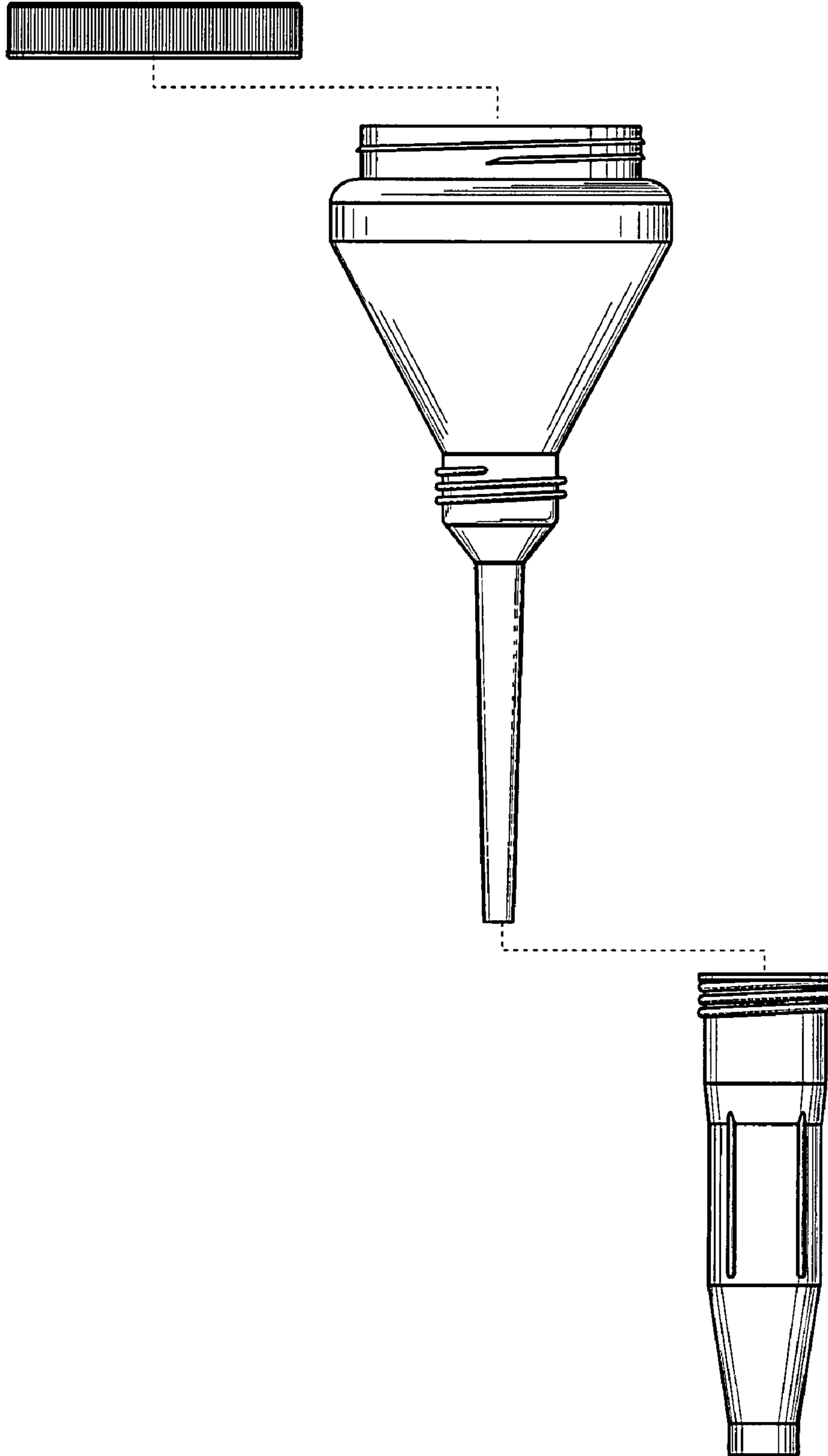


Fig. 5

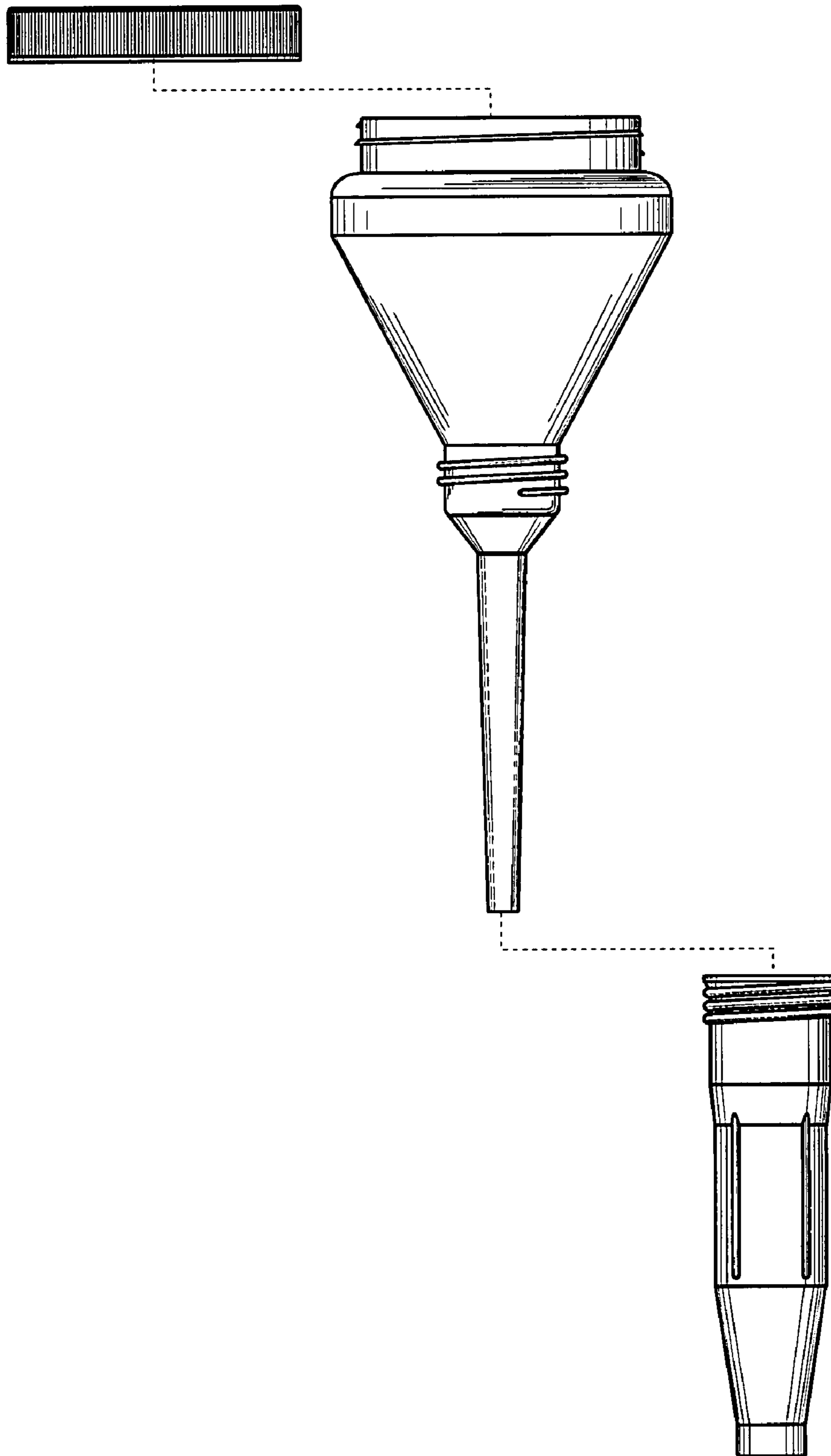


Fig. 6

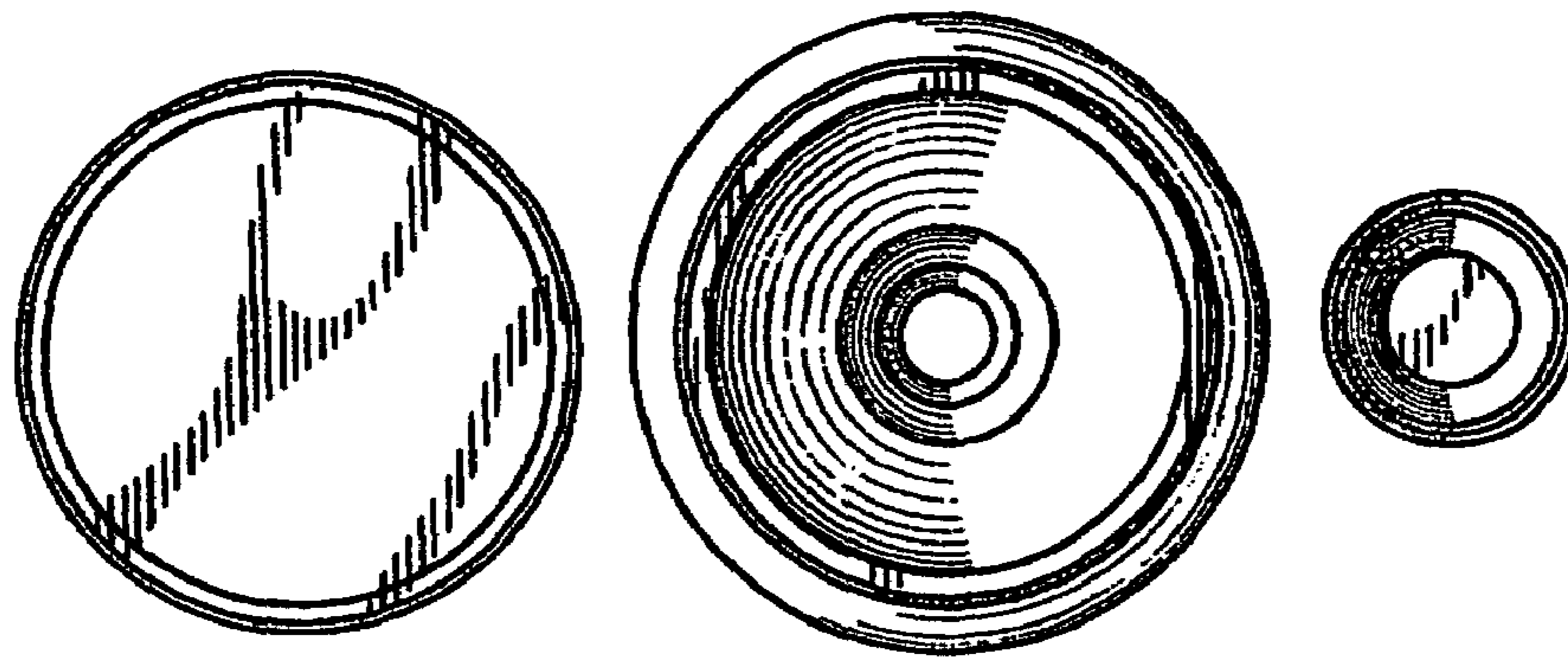


Fig. 7

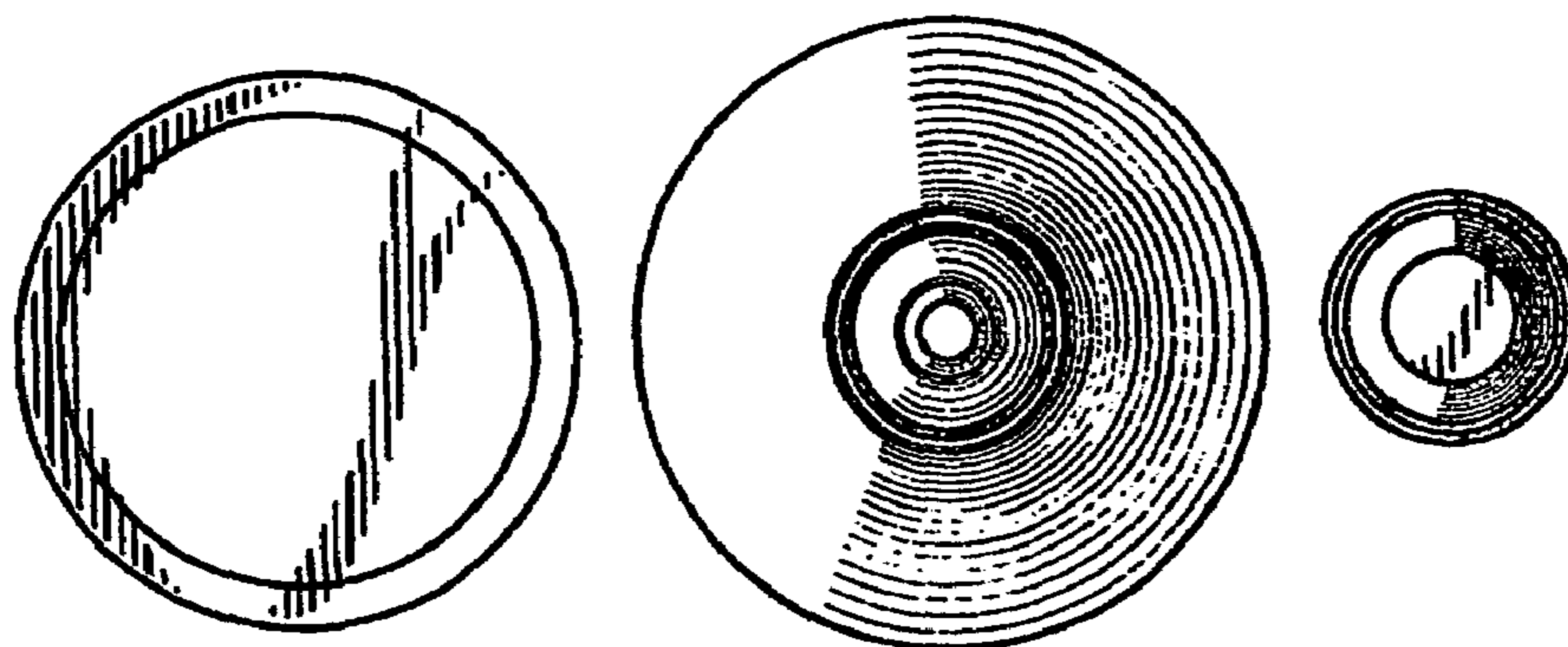


Fig. 8

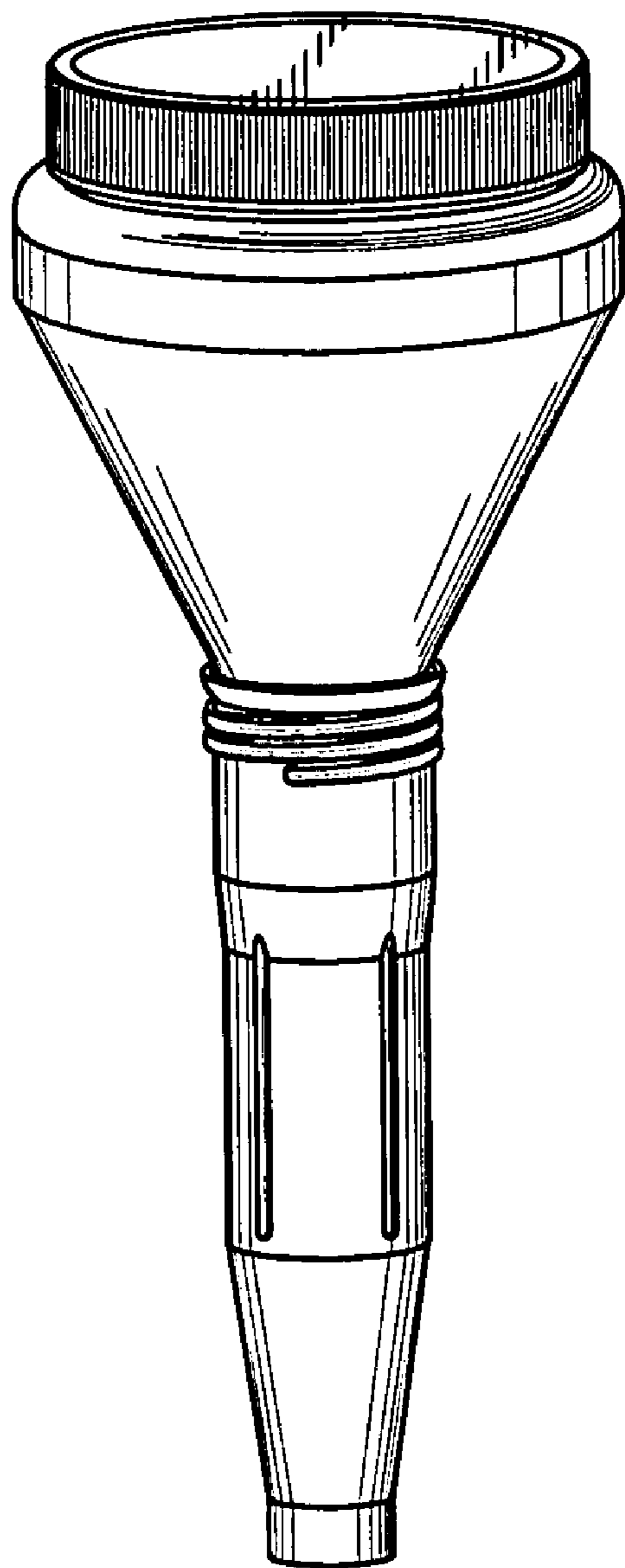


Fig. 9

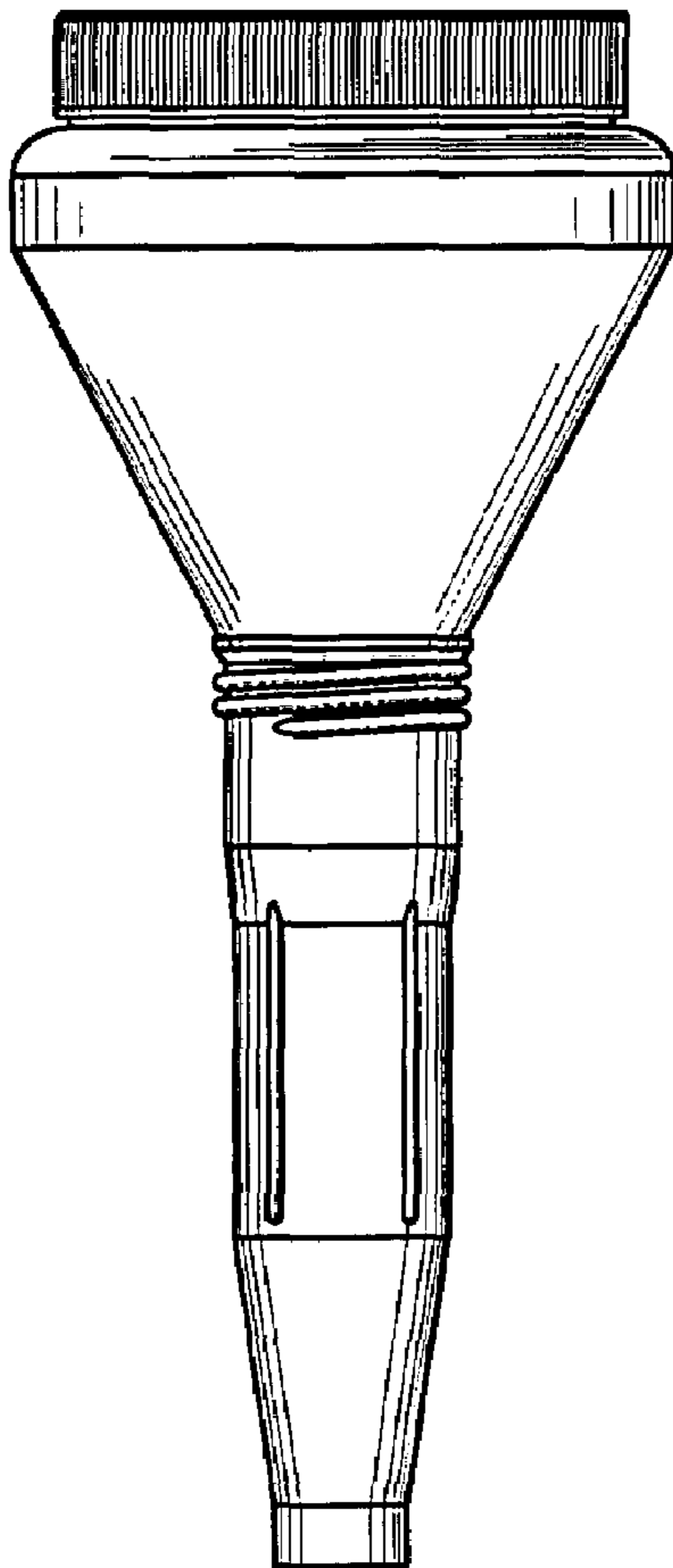


Fig. 10

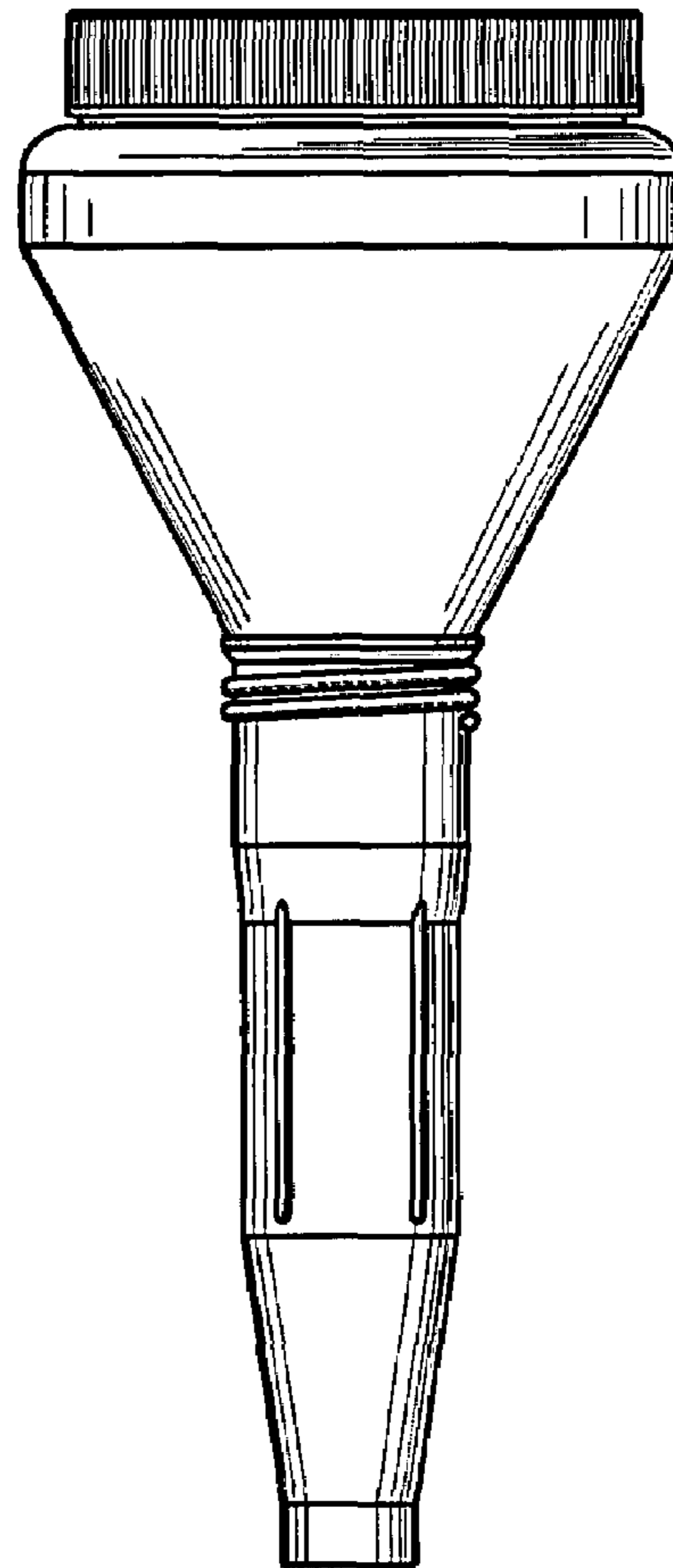


Fig. 11

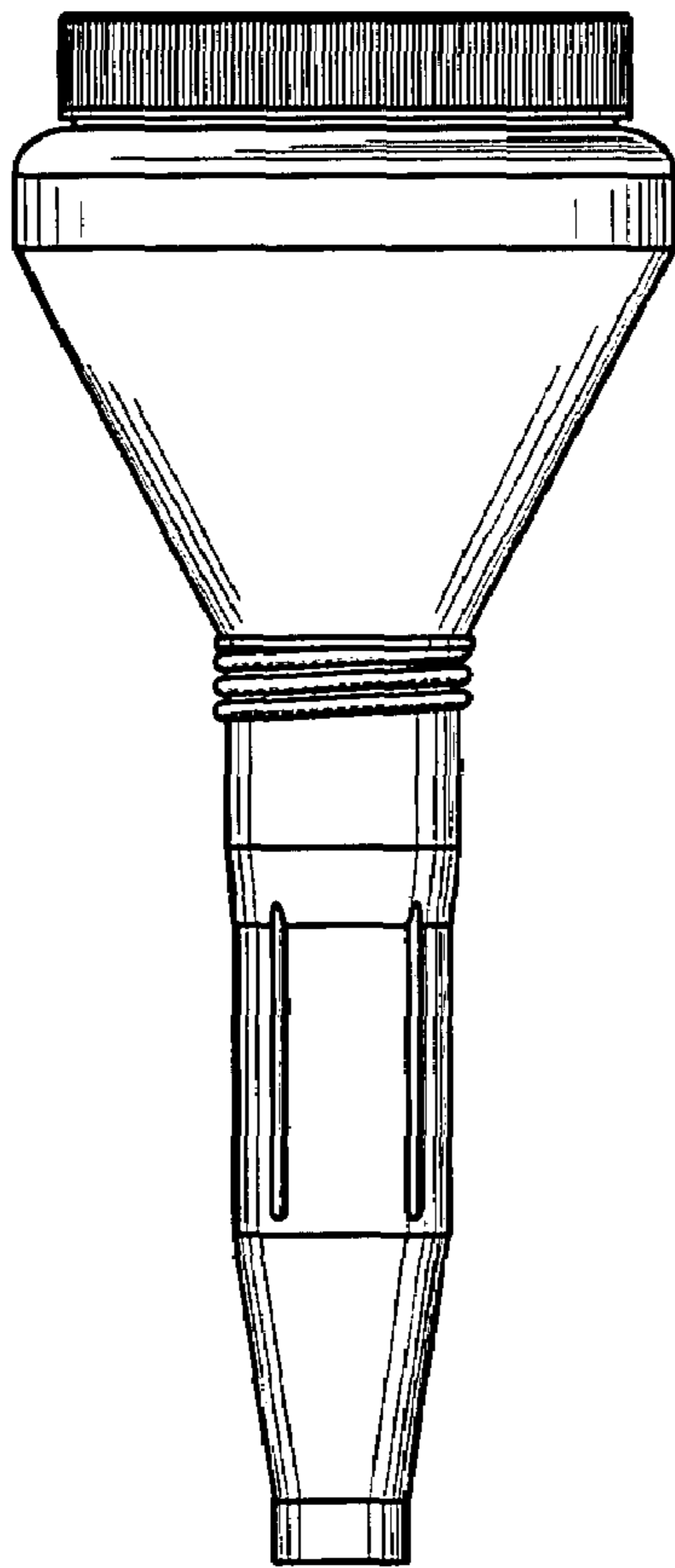


Fig. 12

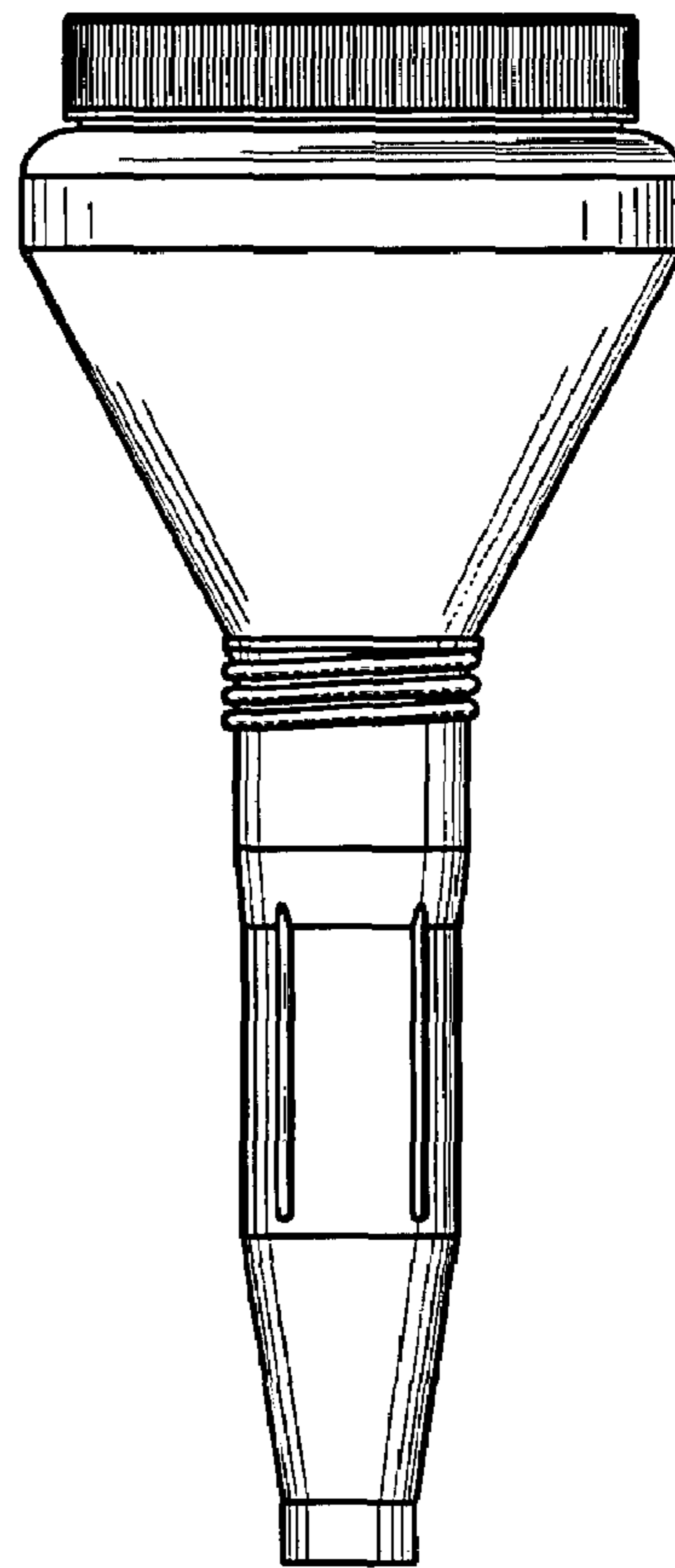


Fig. 13

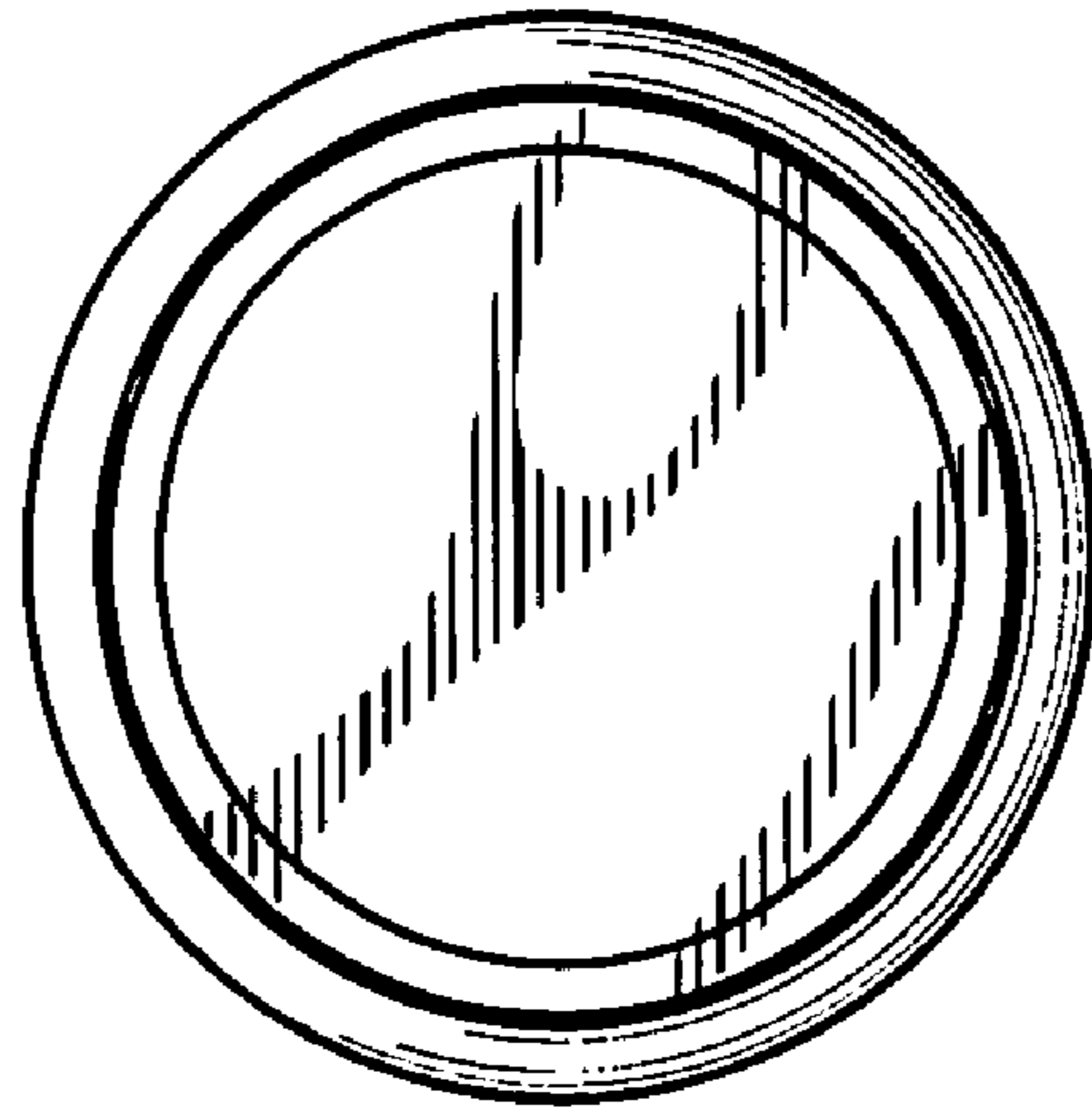


Fig. 14

