

US00D560102S

(12) **United States Design Patent**
Sumter

(10) **Patent No.:** **US D560,102 S**

(45) **Date of Patent:** **** Jan. 22, 2008**

(54) **COOLER**

5,570,588 A 11/1996 Lowe
6,481,236 B2 * 11/2002 Glenk 62/371
6,505,479 B2 1/2003 Defelice et al.
6,675,606 B1 1/2004 Jones et al.

(76) Inventor: **Mary A. Sumter**, 321 W. Miriam Ave.,
Columbia, SC (US) 29203

(**) Term: **14 Years**

* cited by examiner

(21) Appl. No.: **29/256,907**

Primary Examiner—Terry A Wallace
(74) *Attorney, Agent, or Firm*—Raymond M. Galasso;
Galasso & Associates, LP

(22) Filed: **Mar. 27, 2006**

(51) **LOC (8) Cl.** **07-01**

(57) **CLAIM**

(52) **U.S. Cl.** **D7/605**

The ornamental design for a cooler, as shown.

(58) **Field of Classification Search** D7/603–608;
62/457.1–457.7, 371, 372; 220/915.1, 915.2,
220/592.01, 592.16, 592.2, 592.25, 592.26

DESCRIPTION

See application file for complete search history.

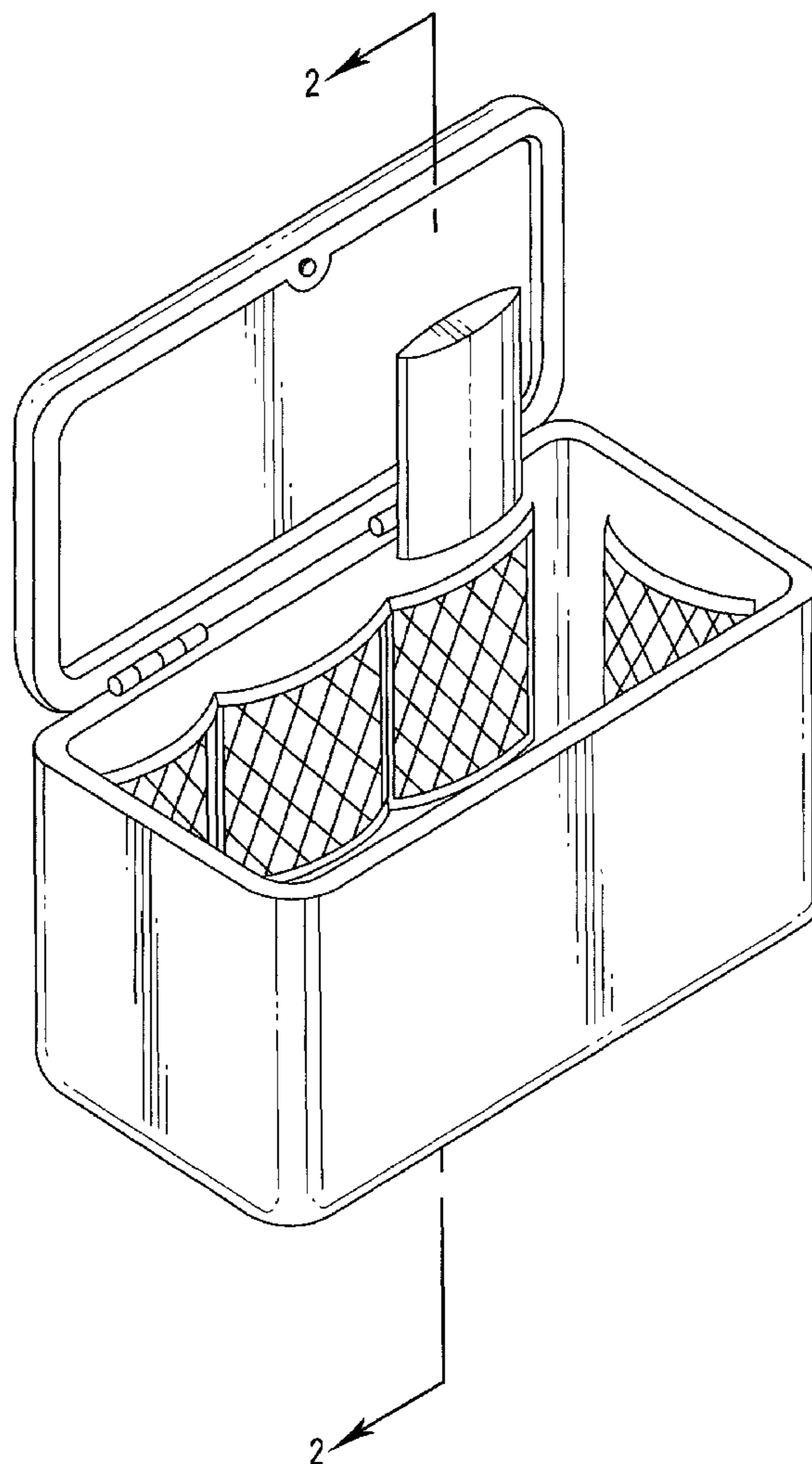
FIG. 1 is a top, front, left side perspective view of a cooler showing my new design, in an open position; and, FIG. 2 is a cross-section view thereof taken along line 2—2 of FIG. 1.

(56) **References Cited**

U.S. PATENT DOCUMENTS

4,024,731 A * 5/1977 Branscum 62/457.2
D350,459 S * 9/1994 Blackwell et al. D7/605

1 Claim, 2 Drawing Sheets



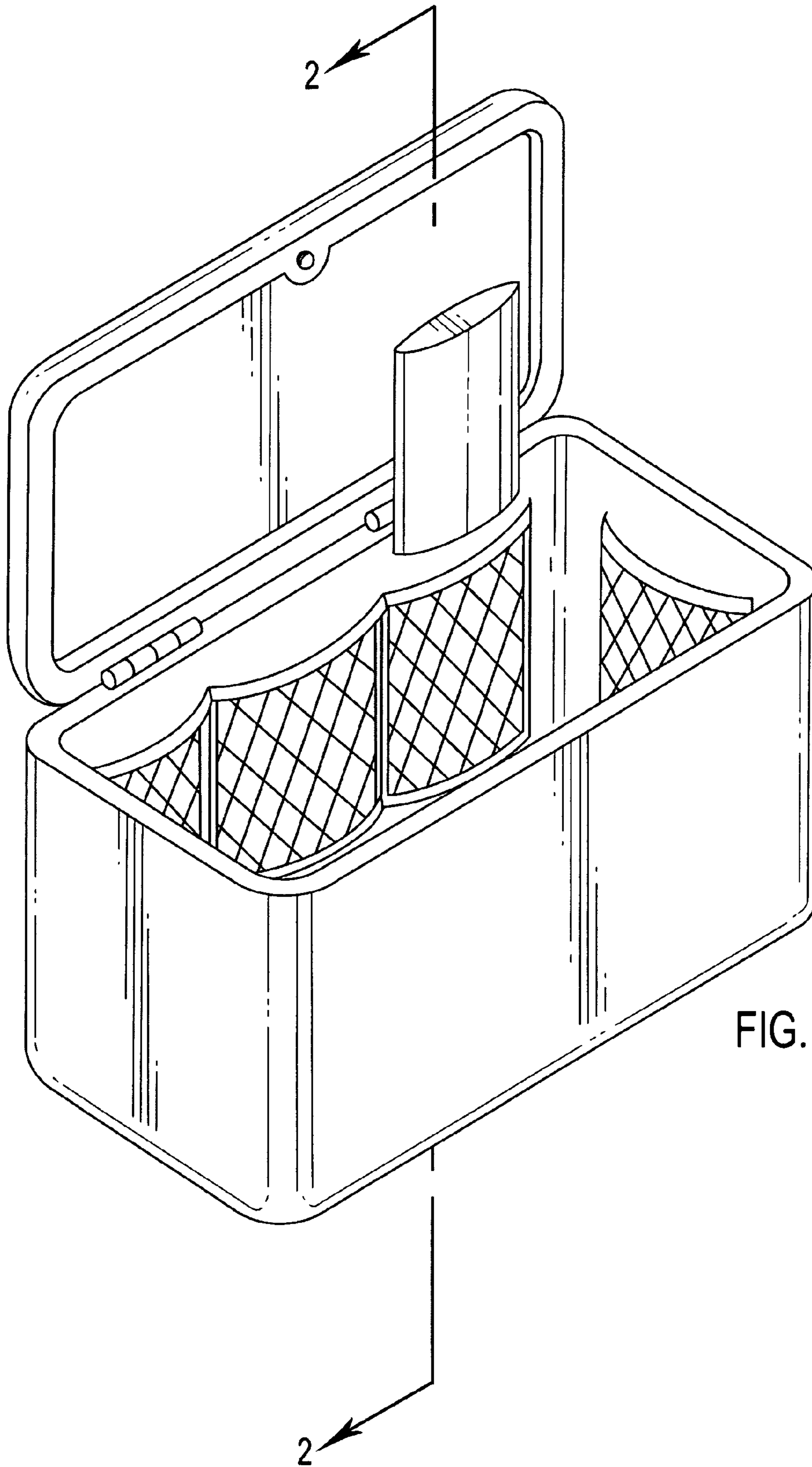


FIG. 1

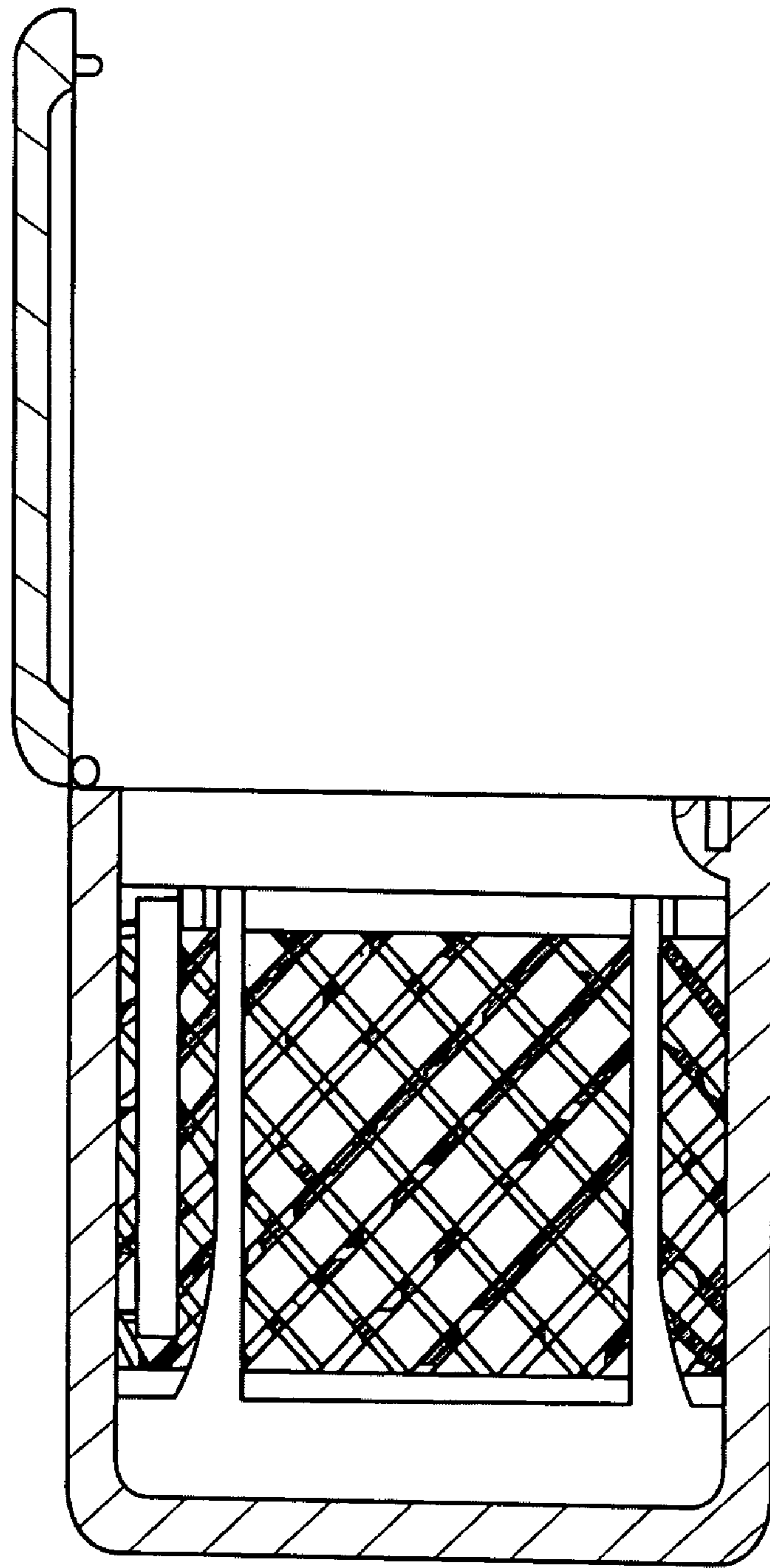


FIG. 2