

US00D560101S

(12) **United States Design Patent**
Wang

(10) **Patent No.:** **US D560,101 S**

(45) **Date of Patent:** **** Jan. 22, 2008**

(54) **WINE COOLER**

(75) Inventor: **Huang-Yuan Wang**, Tainan (TW)

(73) Assignee: **Yuan Min Aluminum Co., Ltd.**,
Tainan (TW)

(**) Term: **14 Years**

(21) Appl. No.: **29/274,205**

(22) Filed: **Apr. 4, 2007**

(51) **LOC (8) Cl.** **07-01**

(52) **U.S. Cl.** **D7/603; D7/615**

(58) **Field of Classification Search** D7/603-608,
D7/612-615, 602, 629, 538-542; 62/457.1-457.9,
62/371, 372; 220/737-739, 902, 903, 915.1,
220/915.2, 592.2

See application file for complete search history.

(56) **References Cited**

U.S. PATENT DOCUMENTS

- 2,995,267 A * 8/1961 Ostrander, Jr. 220/592.2
- D260,130 S * 8/1981 Perrin D7/603
- D269,148 S * 5/1983 Trkla et al. D7/608
- 5,090,213 A * 2/1992 Glassman 62/457.3
- D407,607 S * 4/1999 Carrere D7/603

- D407,608 S * 4/1999 Carrere D7/603
- D431,754 S * 10/2000 Thuma D7/603
- D480,928 S * 10/2003 Farce D7/608
- D488,354 S * 4/2004 Irvine D7/603

* cited by examiner

Primary Examiner—Terry A Wallace

(74) *Attorney, Agent, or Firm*—Rosenberg, Klein & Lee

(57) **CLAIM**

The ornamental design for a wine cooler, as shown and described.

DESCRIPTION

FIG. 1 is a perspective view of a wine cooler showing my new design;

FIG. 2 is a front elevational view thereof;

FIG. 3 is a rear elevational view thereof;

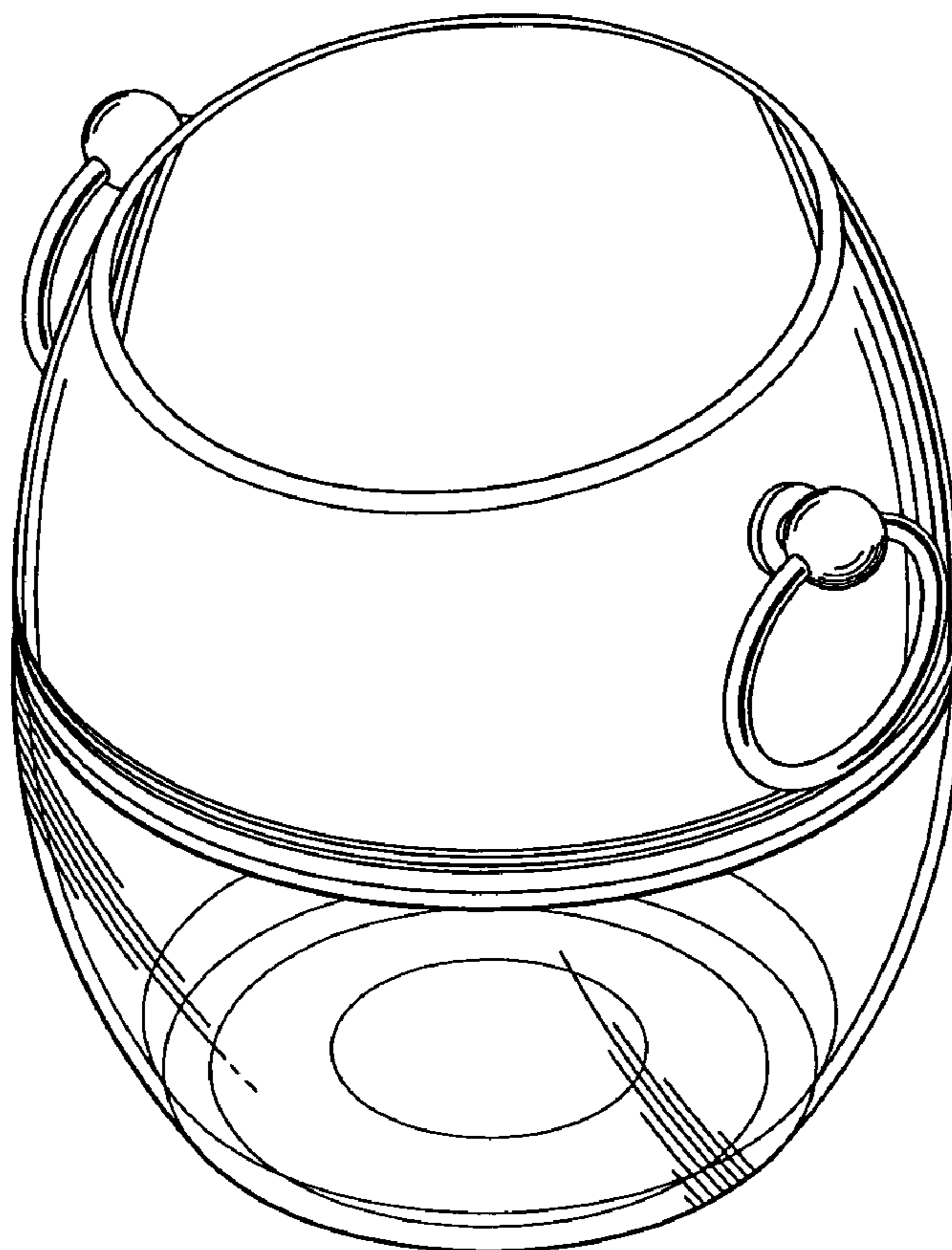
FIG. 4 is a left side elevational view thereof;

FIG. 5 is a right side elevational view thereof;

FIG. 6 is a top plan view thereof; and,

FIG. 7 is a bottom plan view thereof.

1 Claim, 4 Drawing Sheets



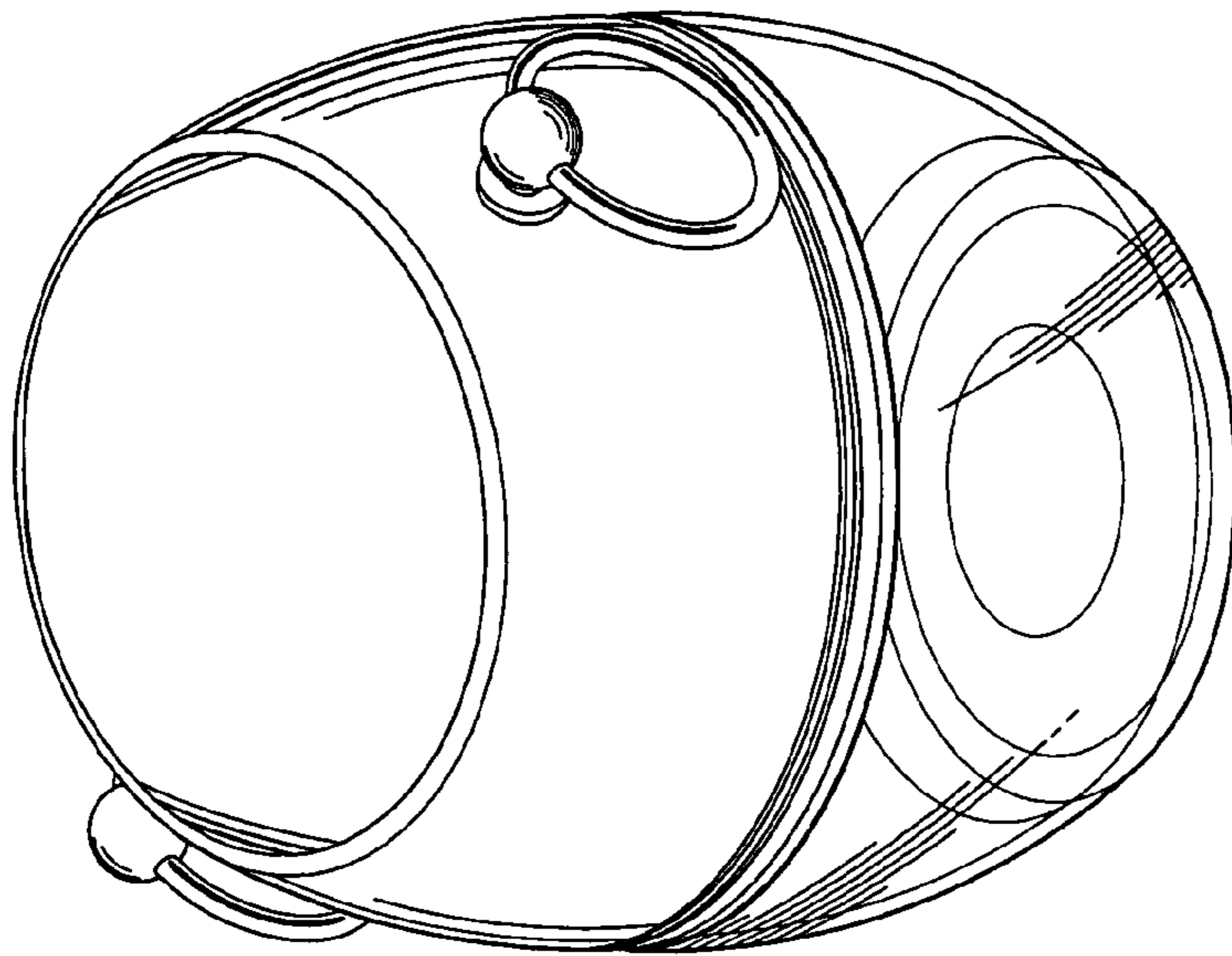


FIG. 1

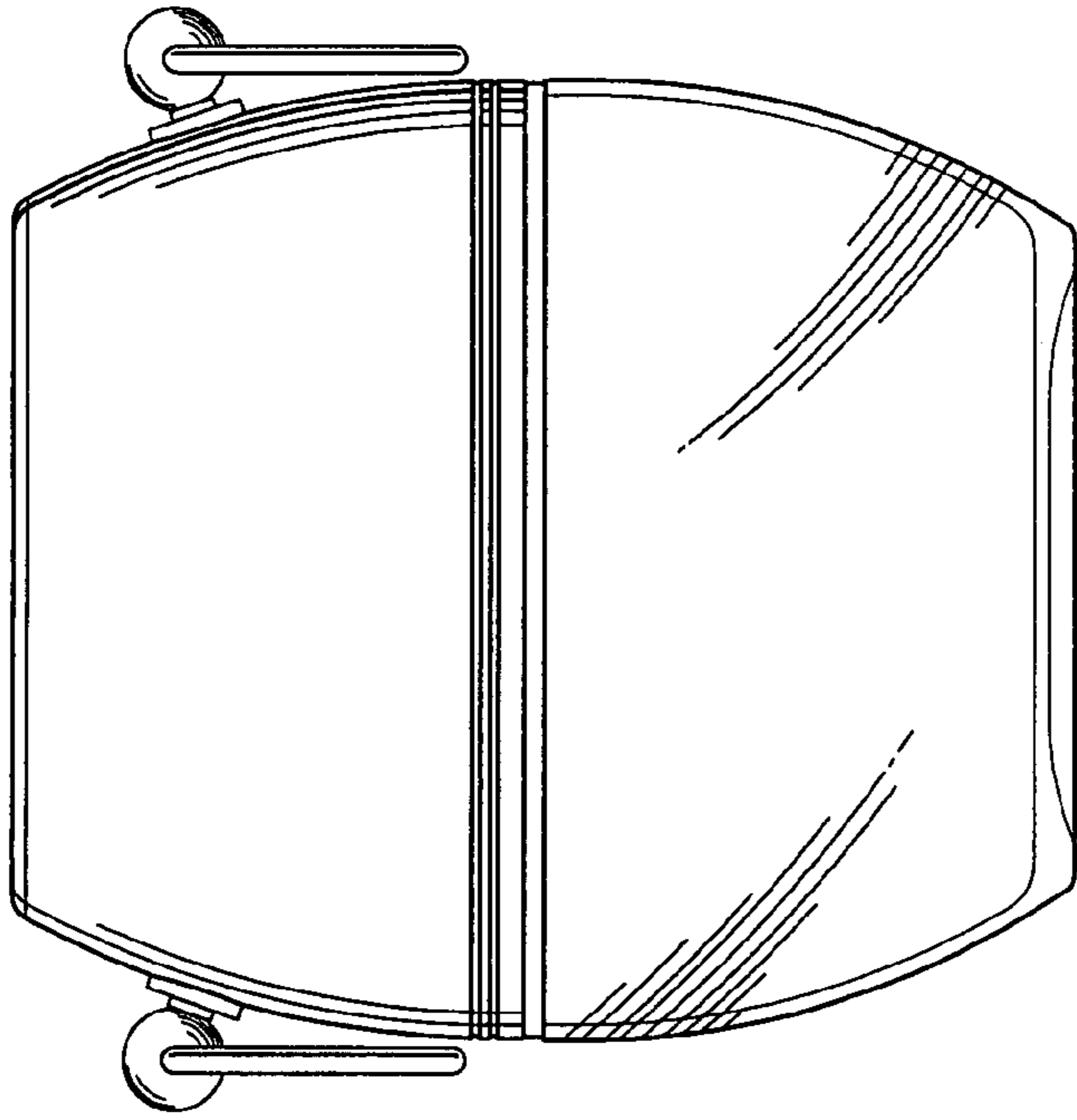


FIG. 3

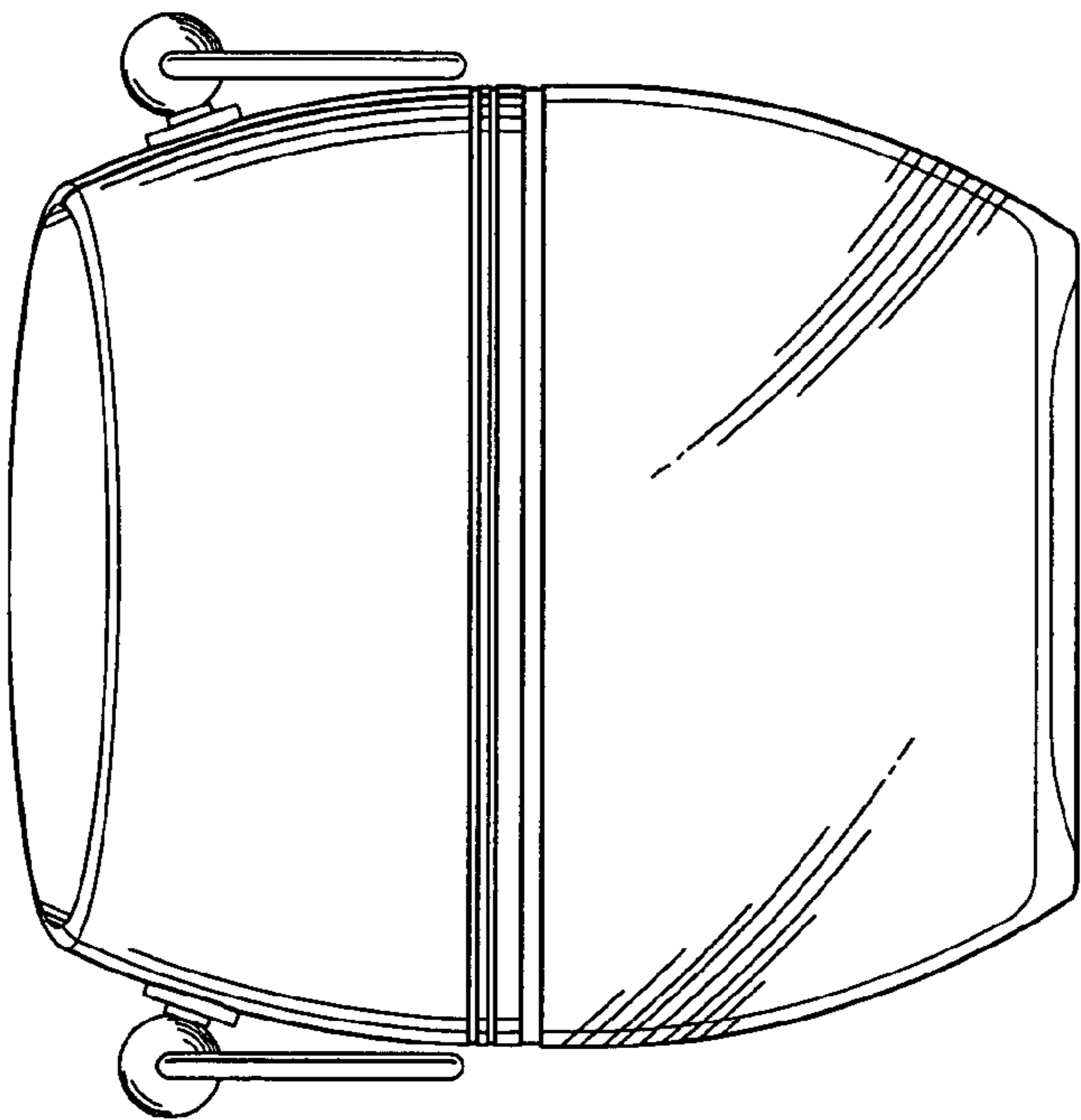


FIG. 2

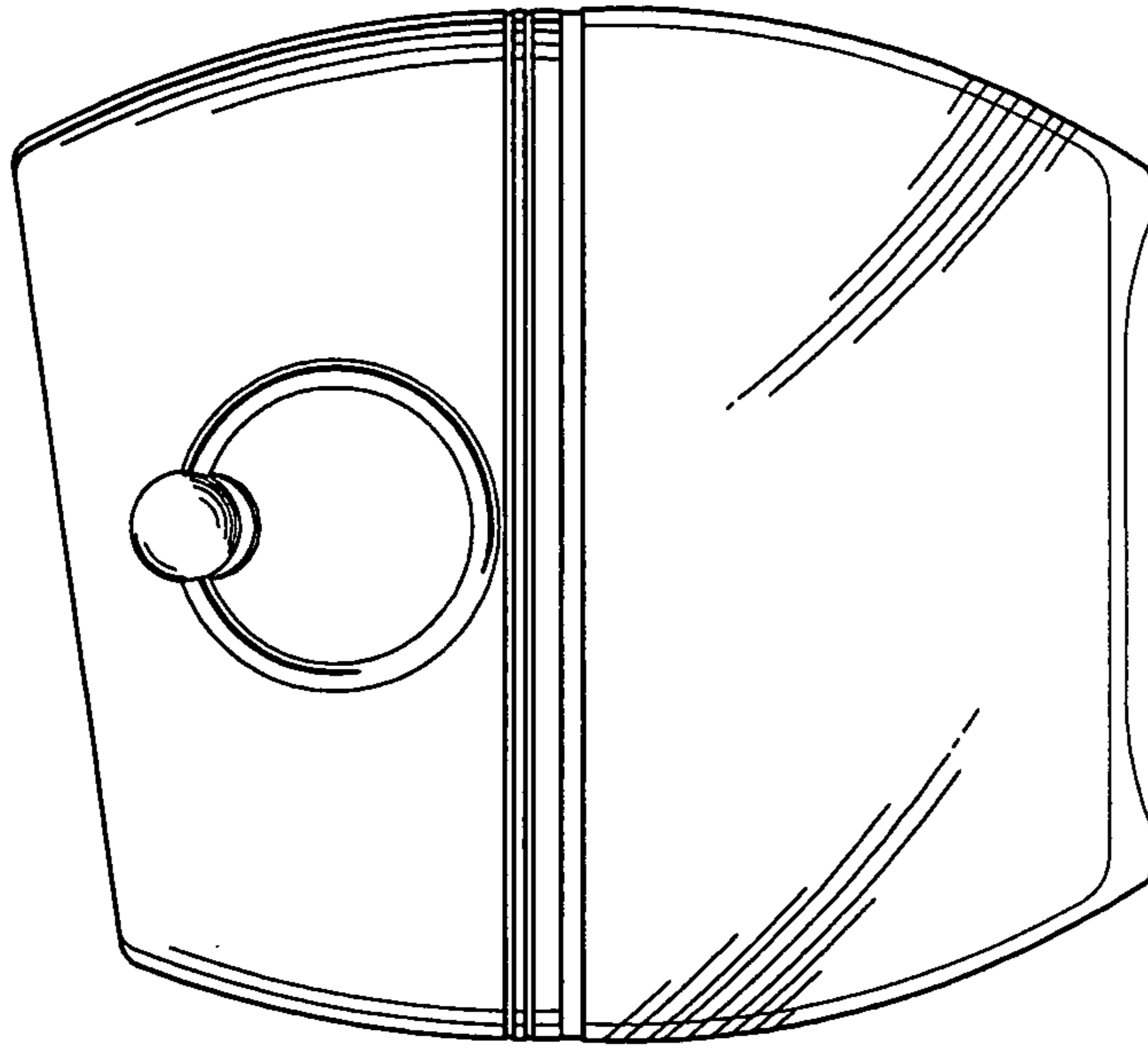


FIG. 5

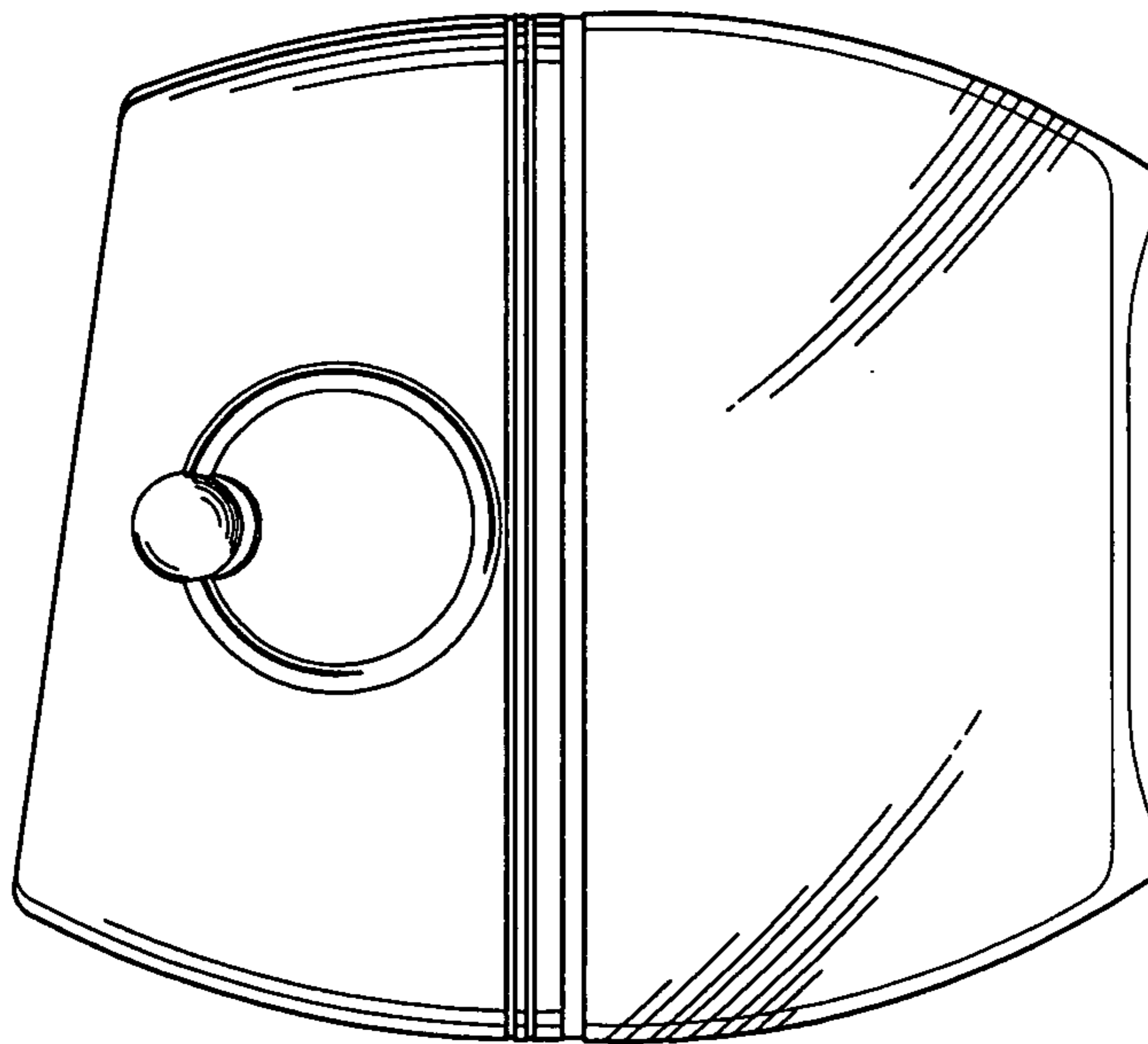


FIG. 4

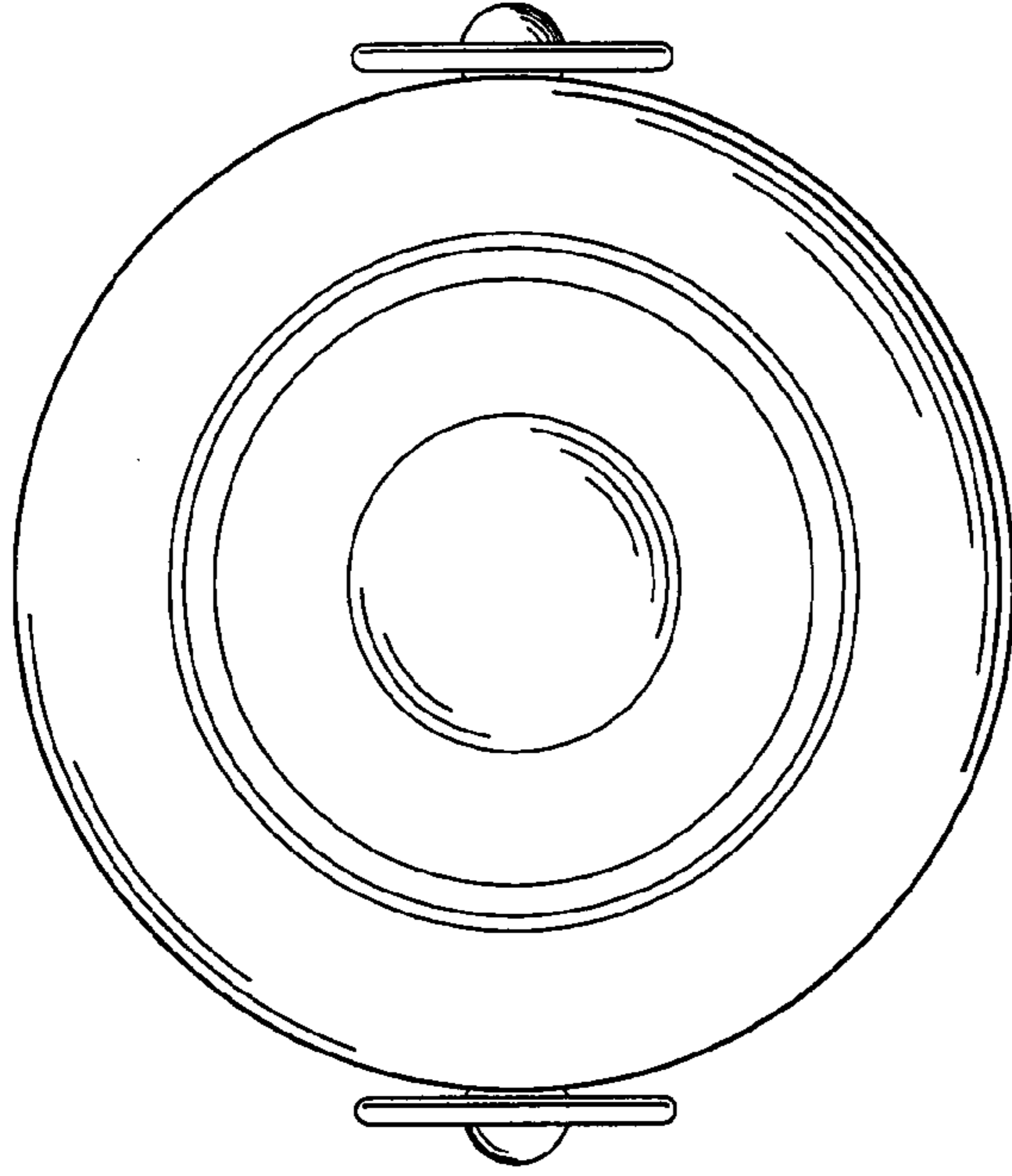


FIG. 7

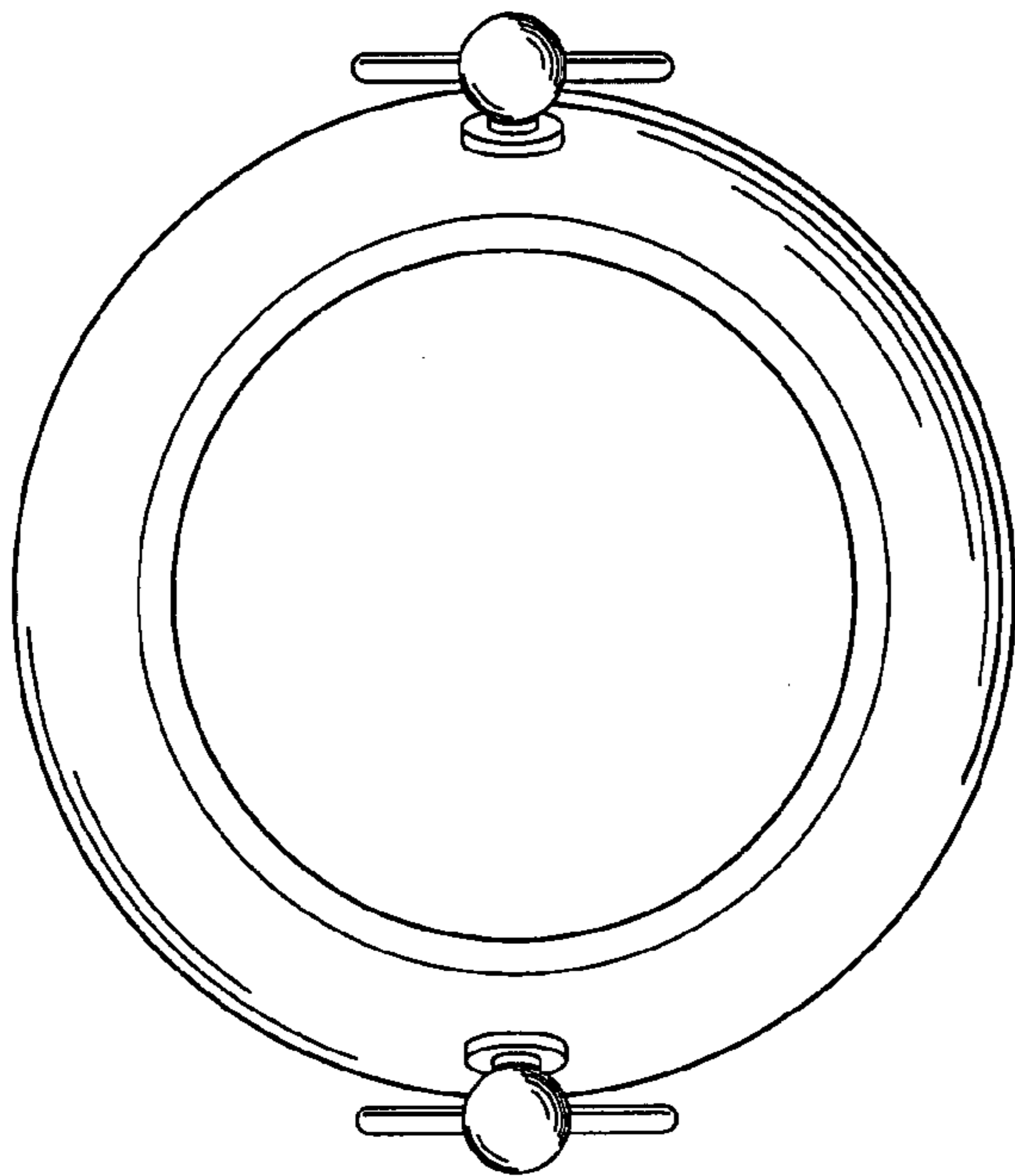


FIG. 6