



US00D560099S

(12) **United States Design Patent**
Hatcher

(10) **Patent No.:** **US D560,099 S**

(45) **Date of Patent:** **** Jan. 22, 2008**

(54) **FOOD TRAY**

(76) **Inventor:** **Ashley Hatcher**, 1714 Carter Ave.,
Columbus, GA (US) 31906

(**) **Term:** **14 Years**

(21) **Appl. No.:** **29/244,282**

(22) **Filed:** **Dec. 8, 2005**

(51) **LOC (8) Cl.** **07-01**

(52) **U.S. Cl.** **D7/554.3**

(58) **Field of Classification Search** D7/542,
D7/545, 550.1, 555, 552.1, 553.1, 553.6,
D7/554.2, 565, 584, 586, 300, 587, 543, 601,
D7/602, 354, 356, 360, 376, 380, 553.2, 647,
D7/553.7, 544, 538, 566, 646, 553.8, 554.1,
D7/557, 560, 701, 707; 220/904, 23.83,
220/574, 212, 657, 659, 755, 771, 573.1,
220/573.4, 573.5; D24/224, 227, 231, 232
See application file for complete search history.

(56) **References Cited**

U.S. PATENT DOCUMENTS

224,632	A	2/1880	Berry	
2,878,932	A	4/1957	Martire, Jr.	
D195,984	S *	8/1963	White D7/543
D216,869	S	3/1970	Britt	
D235,301	S	6/1975	Mountain, Jr. et al.	
D242,515	S	11/1976	Shumrak	
4,005,745	A	2/1977	Colato et al.	
4,019,022	A	4/1977	Seider et al.	
4,194,109	A	3/1980	Springer	
D255,527	S	6/1980	Seager	
D264,514	S *	5/1982	Kordan D3/310
D300,496	S *	4/1989	Childress D7/553.4
D326,798	S *	6/1992	Grossman et al. D7/549

D335,797	S	5/1993	DeGrow	
D338,374	S *	8/1993	Jacobson D7/552.2
D379,135	S *	5/1997	Vina D7/552.1
D451,347	S *	12/2001	Kleckauskas et al. D7/552.1
D472,767	S *	4/2003	Gebhardt et al. D7/552.1
6,814,235	B2	11/2004	Wang	
D526,851	S *	8/2006	Groff et al. D7/552.1

FOREIGN PATENT DOCUMENTS

FR 2 653 705 5/1991

* cited by examiner

Primary Examiner—Ian Simmons

Assistant Examiner—Charles D Hanson

(74) *Attorney, Agent, or Firm*—Hunton & Williams LLP

(57) **CLAIM**

The ornamental design for a food tray, as shown and described.

DESCRIPTION

FIG. 1 is a perspective view of an embodiment of a food tray showing my new design;

FIG. 2 is a side view thereof;

FIG. 3 is an opposite side view thereof;

FIG. 4 is a rear view thereof;

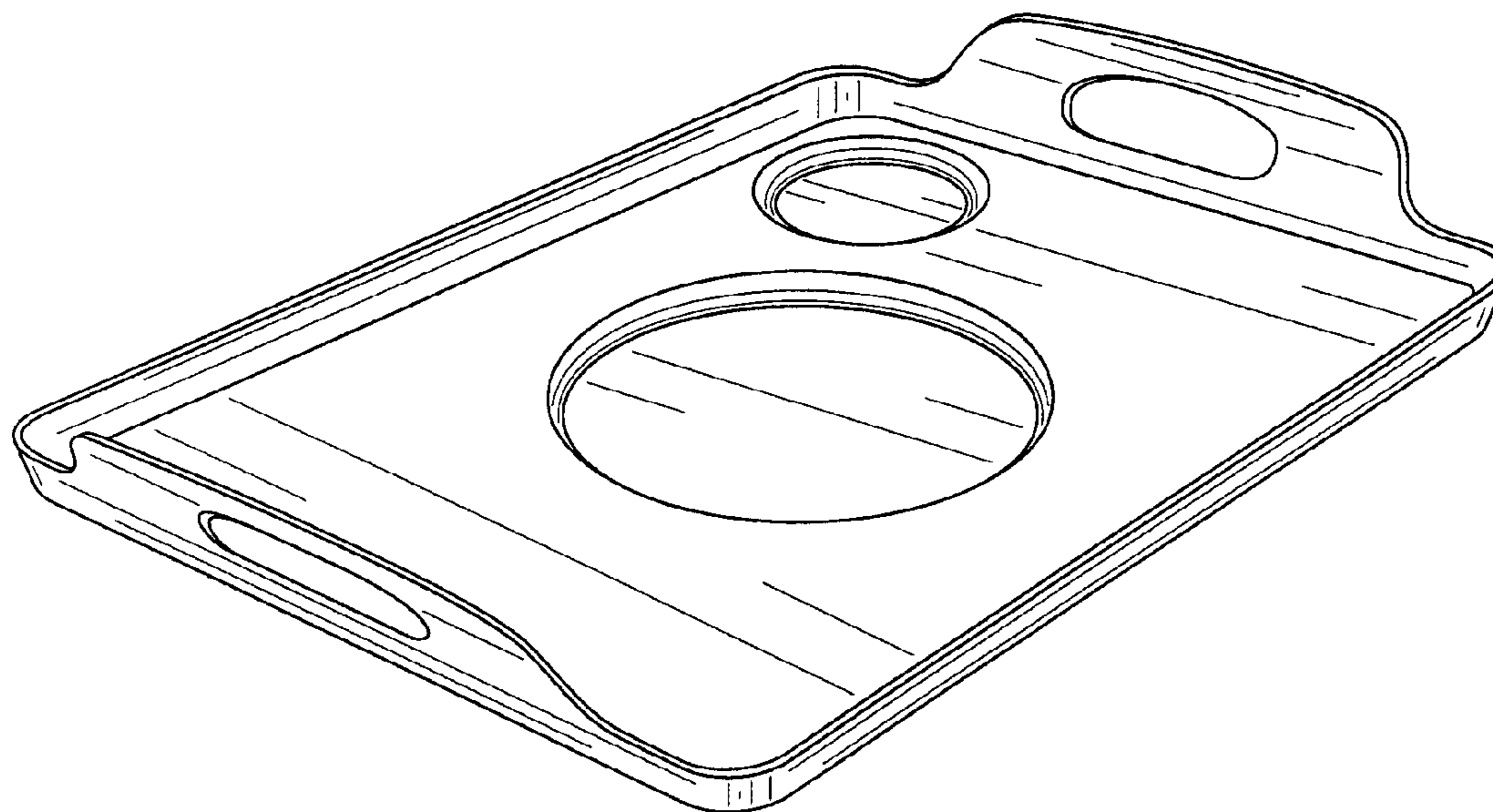
FIG. 5 is a front view thereof;

FIG. 6 is a top plan view thereof; and,

FIG. 7 is a bottom view thereof.

The broken line drawings of a plurality of feet on the food tray are for illustrative purposes only and form no part of the claimed design.

1 Claim, 5 Drawing Sheets



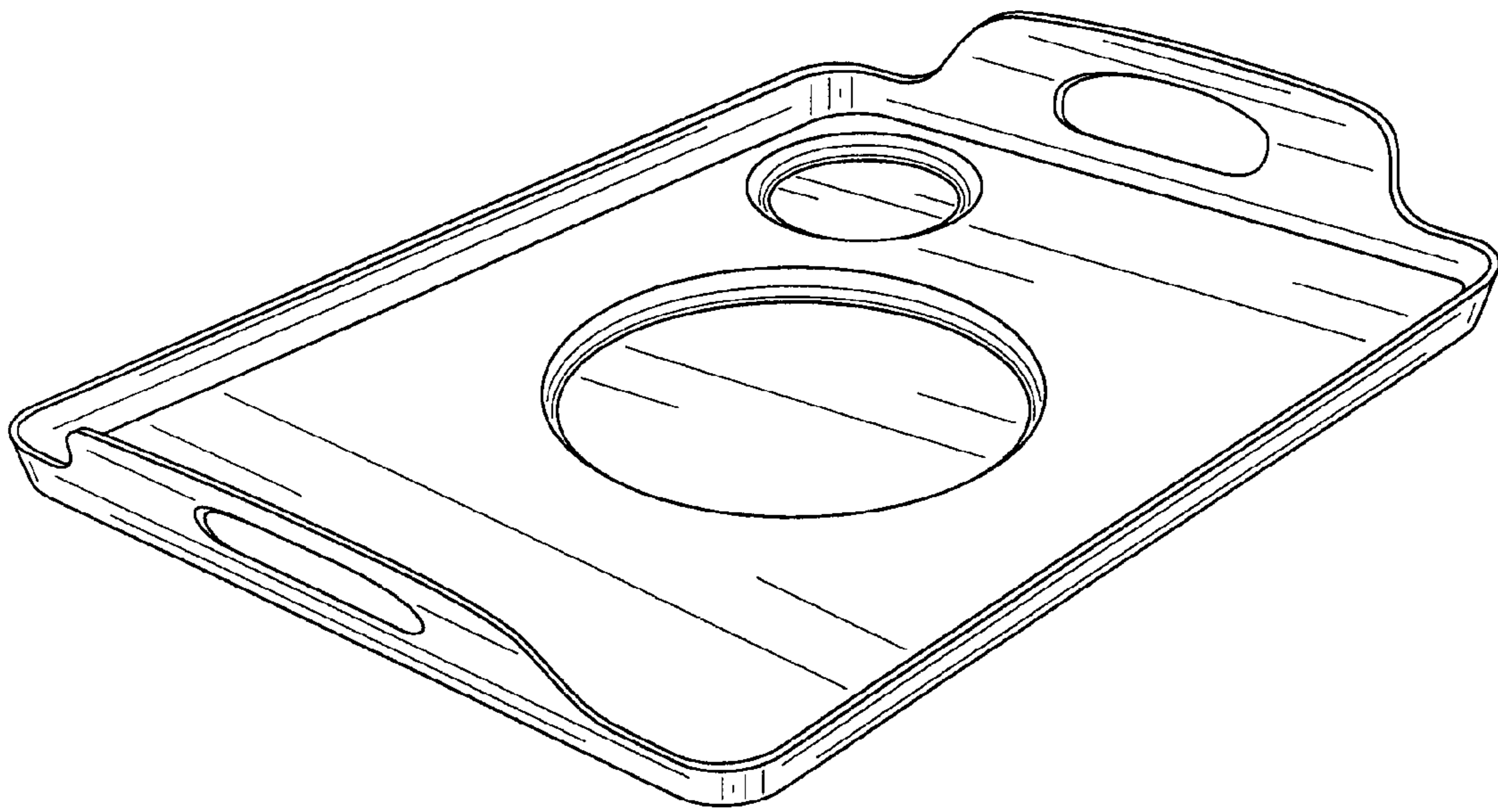


FIG. 1

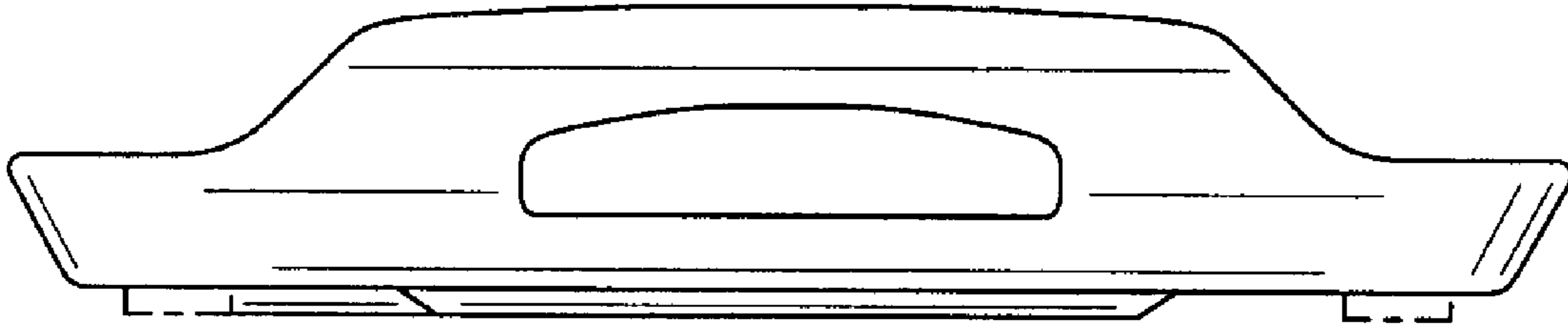


FIG. 2

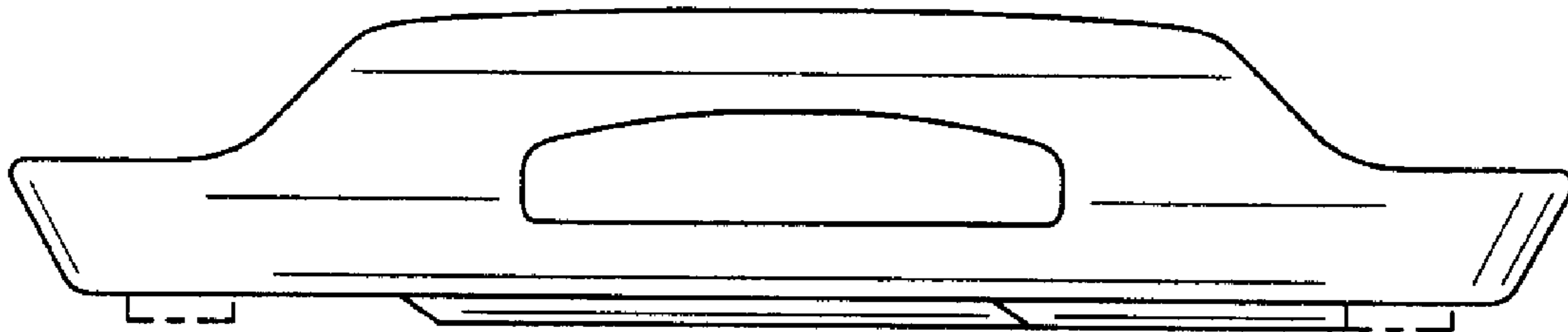


FIG. 3

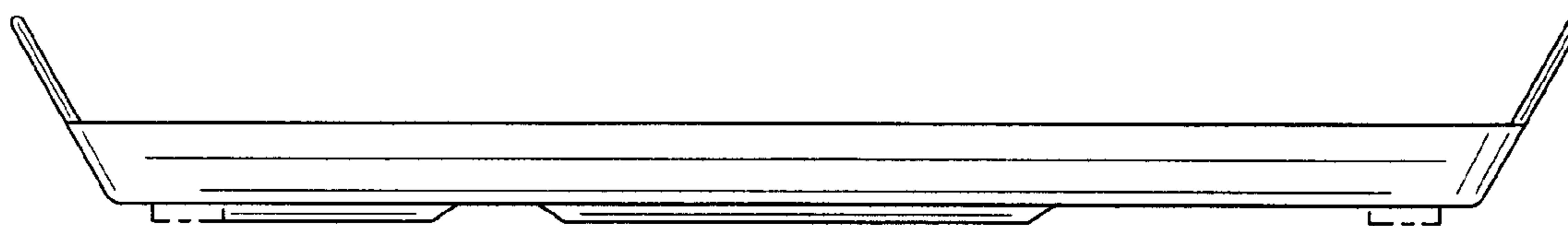


FIG. 4

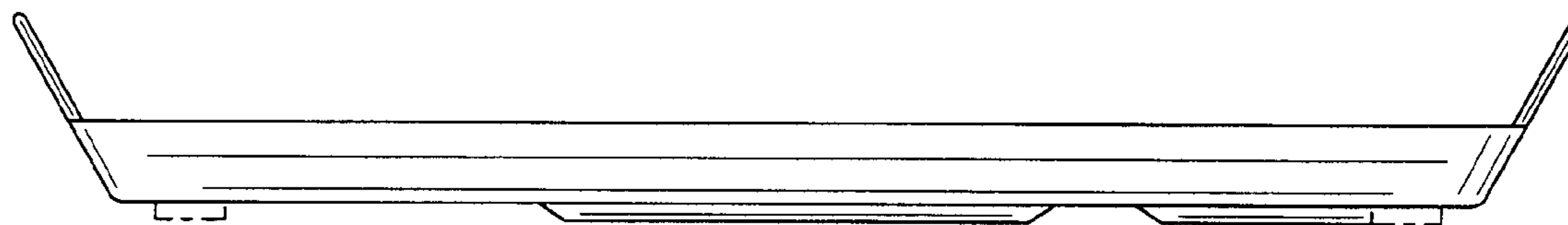


FIG. 5

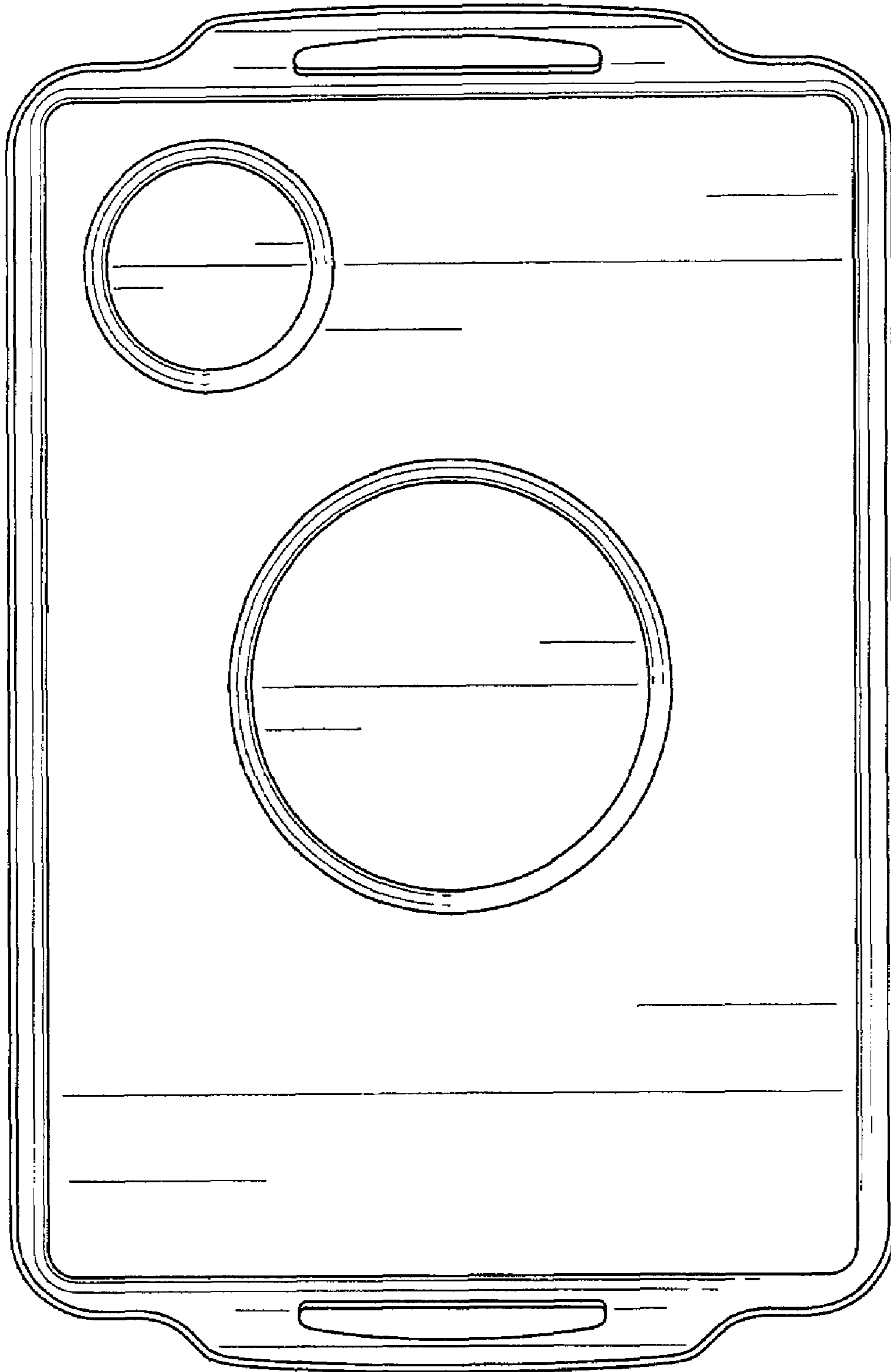


FIG. 6

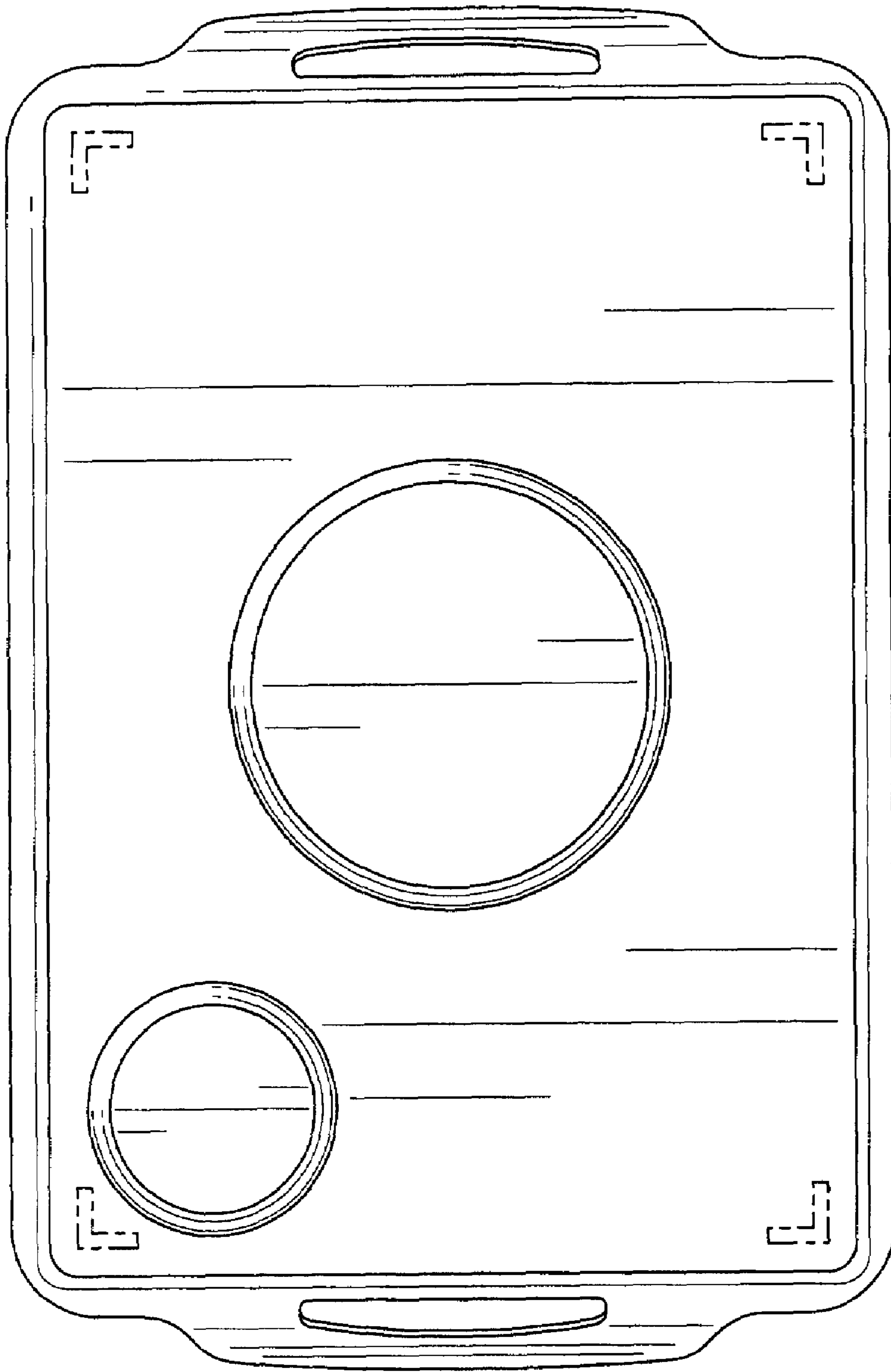


FIG. 7